

# SPEAKMAN®

## Neo Collection Combination Series SM-1430-P

### DESCRIPTION

Speakman Neo Collection Combination Series unites the best products included in our Neo Series. The combination begins with our anti-scald balanced pressure valve with integral diverter and stops, featuring a brass body and adjustable temperature limit stop. The wall plate, handle, and diverter handle are designed with definitive Neo Collection styling. Piston type pressure balancing/ceramic regulating cartridge assembly with built-in check valves. Meets ASME A112.18.1 / CSA B125.1 & ASSE 1016 standards. Also provided is the S-2540 brass 7" shower arm with brass wall flange. The featured product in the Neo Collection Combination Series is the ANYSTREAM® S-3010 showerhead with a 4<sup>3/4</sup>" outer spray adjustment ring. Five self-cleaning plunger nozzles resist scale build-up and provide 50 spray streams for a full body coverage pattern. The center core nozzle delivers 12 massaging jets and a combination spray is included. Water-conserving pressure compensating AUTOFLO® device reduces flow to 2.5 GPM / 9.46 LPM maximum, to meet existing ANSI A112.18.1 Standard. Also included in this package is the brass S-1557 Neo tub spout, matched to the styling of the other combination components.

### SPECIFICATIONS

SM-1400-P Anti-Scald Balanced Pressure Valve:

Connections: 1/2" female copper sweat inlets & shower outlet; 1/2" NPT female tub outlet

Flow Rate: For use with showerheads rated at 2.0 GPM (7.6 LPM) or higher.

S-3010 Showerhead:

Supply: 1/2" NPT female

Flow Rate: 2.5 GPM / 9.46 LPM MAX

S-2540 Shower Arm:

Supply: 1/2" NPT male inlet

Outlet: 1/2" NPT male outlet

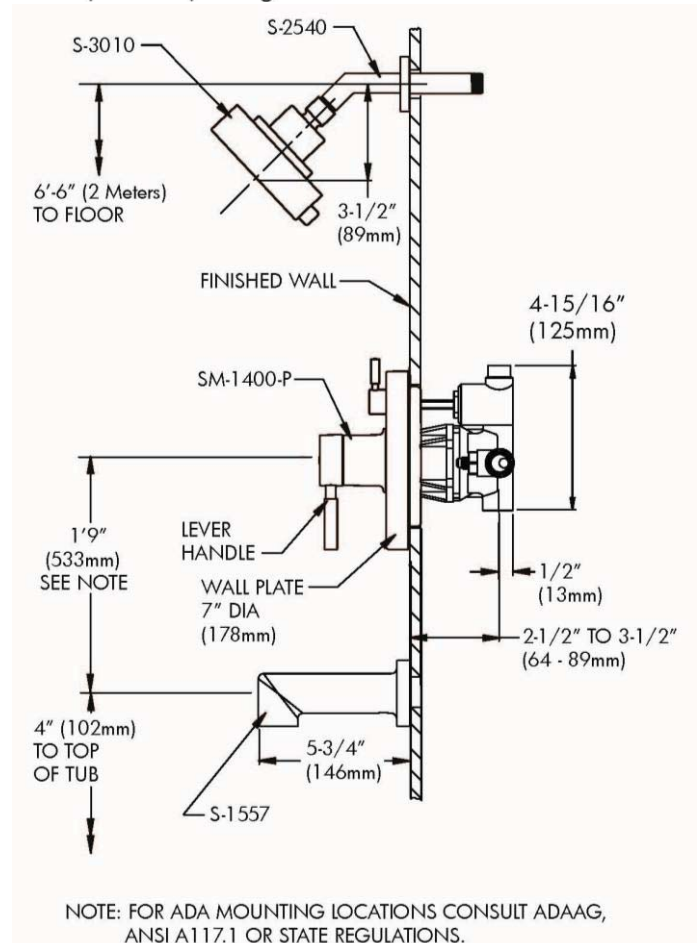
S-1557 Tub Spout:

Supply: 1/2" copper pipe slip fit

### INSTRUCTIONS

See individual products for installation of the components and warranty information.

### ROUGH-IN



## SPEAKMAN®

400 Anchor Mill Rd. New Castle, DE 19720  
03/12 Visit us on the web at [www.speakmancompany.com](http://www.speakmancompany.com)

Phone: 800-537-2107

Fax: 800-977-2747  
IOM-SM-1430