

Assembly Guide



Bush
FURNITURE

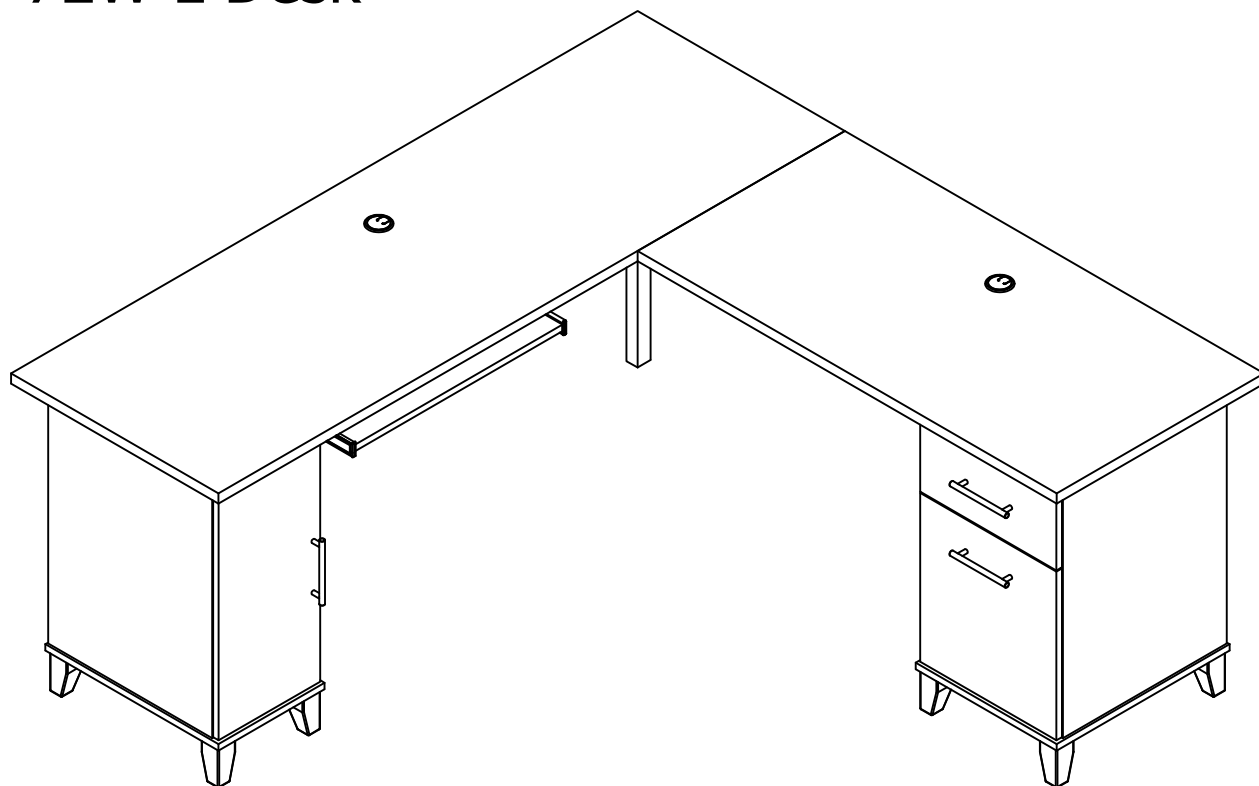


If you're having any difficulty during assembly of this product, don't hesitate to call us at **1-800-950-4782.**

Our customer service experts are trained to provide step-by-step instruction and can easily replace any missing or damaged parts.

Representatives are available Monday-Friday from 8:30 a.m. to 7:30 p.m. (ET)

72W L Desk



Lot Code #

Instruction Sheet Number A186366H

Keep manual for future reference.

For best results, keep these tips in mind:

- ① We know you want to finish this assembly as quickly as possible, but trust us: you'll have a better experience if you take it one step at a time.
- ② Give yourself some room to work near where you want the fully assembled product.
- ③ If your floor isn't carpeted, assemble this product on the empty carton to avoid scratching.
- ④ Do you have a friend who owes you a favor? Some steps may go a little easier with a second set of hands.

DOs

- ✔ Use a #2 Phillips head screwdriver (or other handheld tools as indicated)
- ✔ Wear safety glasses at all times during assembly
- ✔ Carefully follow the instructions in this guide and complete all steps in order
- ✔ Give us a call if you're having trouble with a particularly tricky step

DON'Ts

- ✘ We know power tools are quick and easy, but you shouldn't use them when assembling this product (unless otherwise specified)
- ✘ Never move your furniture with items inside or resting on the surface
- ✘ Do not attempt to use this product before all steps have been completed

Watch assembly videos right on your phone or computer!



Some steps include QR codes that link to helpful videos. Watch out for the icon on the left! Simply open up your smartphone camera to scan the code.

(Users of older smartphones may need to install a QR Reader.)

SCAN HERE



FOR VIDEOS

Or visit <https://www.bushfurniture.com/CustomerService/HowtoAssemble.aspx>



IMPORTANT SAFETY INFORMATION



PLEASE READ WARNINGS

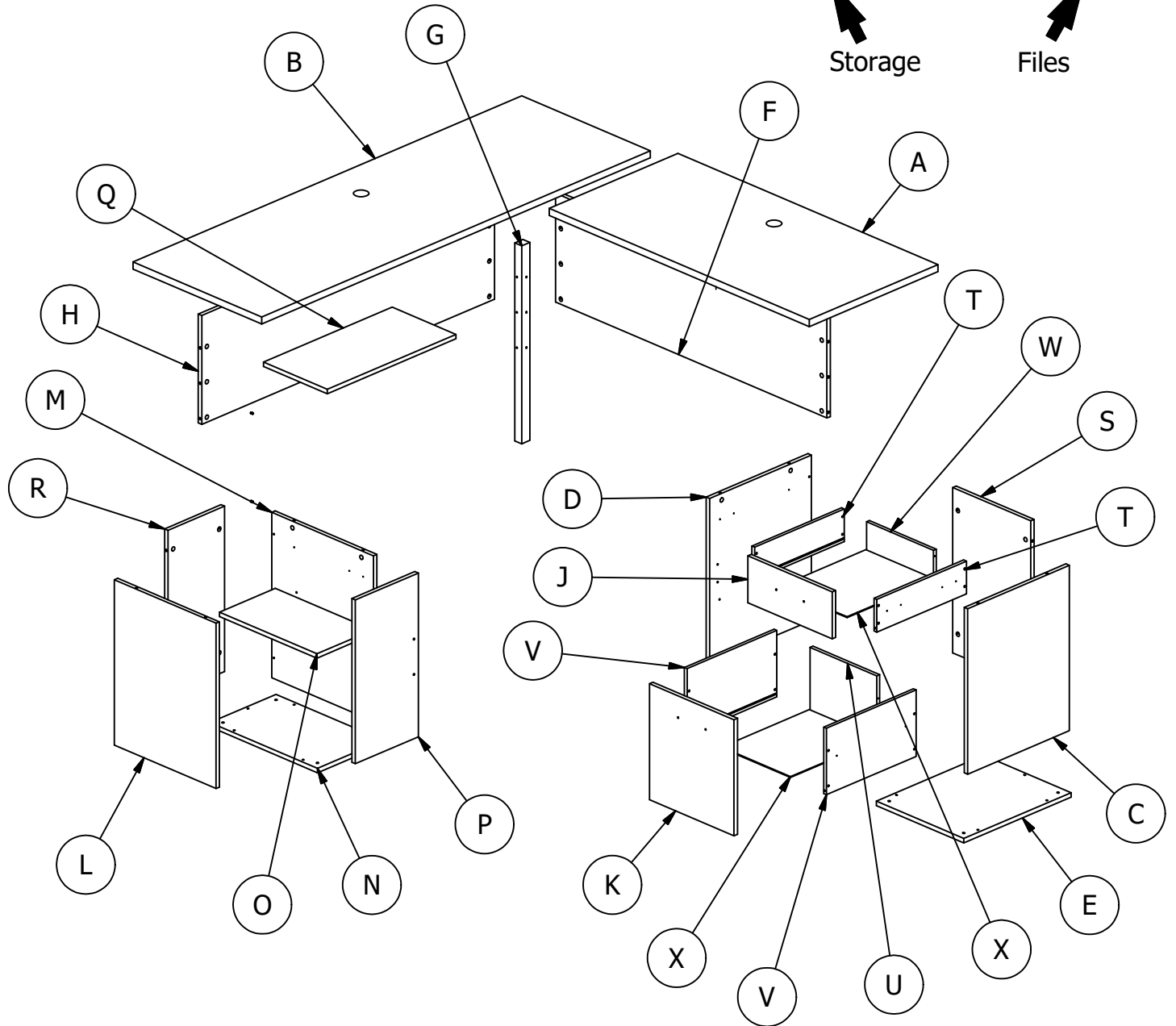
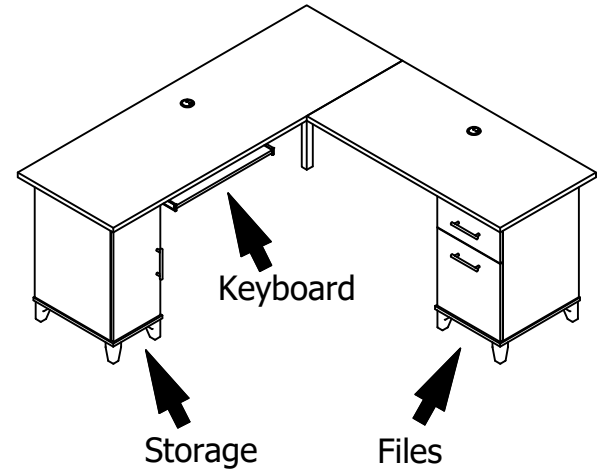
Improper use can cause safety hazards, or damage to your furniture and household items.

Warning	Do	Don't	Why it's important
Serious injury may occur.	<ul style="list-style-type: none">Assemble following all instructions using all indicated parts and hardware provided.	<ul style="list-style-type: none">Do not move unit when loaded.Do not load with a television or other heavy equipment.Do not exceed the maximum load limits stated in the instructions.	Improper assembly, use or loading can lead to product instability, tipover, or collapse.

Advertencia	Hacer	No	Por qué es importante
Pueden producirse lesiones graves.	<ul style="list-style-type: none">Realice el montaje siguiendo todas las instrucciones y utilizando todas las piezas indicadas y los herrajes suministrados.	<ul style="list-style-type: none">No mueva la unidad cuando esté cargada.No cargue el mueble con un televisor u otro equipo pesado.No supere los límites máximos de carga indicados en las instrucciones.	El montaje, uso o carga inadecuados pueden provocar inestabilidad, vuelco o colapso del producto.

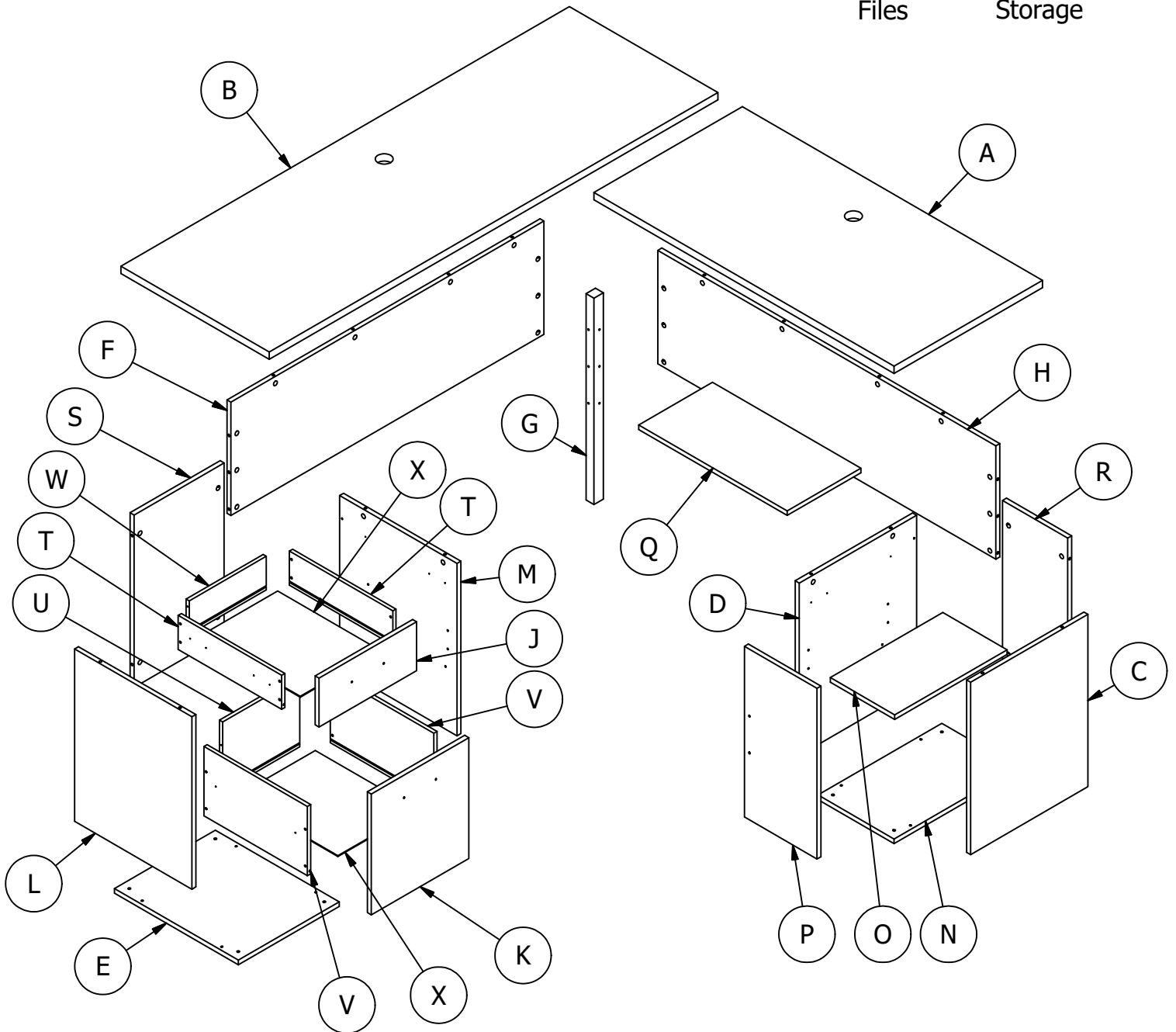
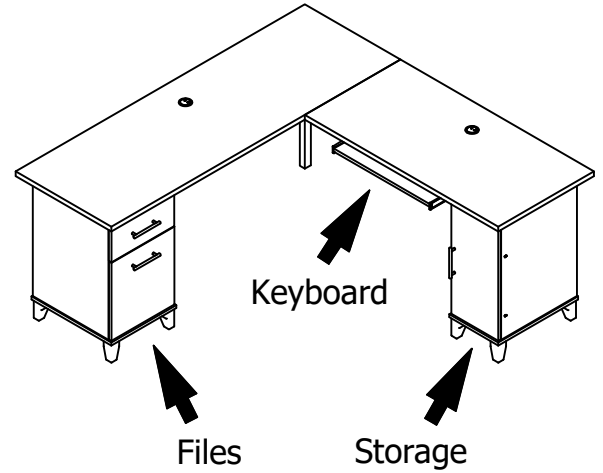
Avertissement	À faire	À ne pas faire	Pourquoi c'est important
Peut entraîner des blessures graves.	<ul style="list-style-type: none">Assembler en suivant toutes les instructions et en utilisant toutes les pièces et la quincaillerie incluses.	<ul style="list-style-type: none">Ne pas déplacer le meuble lorsqu'il est chargé.Ne pas charger le meuble avec un téléviseur ou tout autre équipement lourd.Ne pas dépasser les limites de poids maximales indiquées dans les instructions.	Un assemblage, une utilisation ou un chargement incorrects peuvent entraîner l'instabilité, le basculement ou l'effondrement du produit.

Assembly Option 1



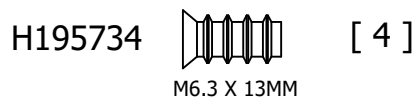
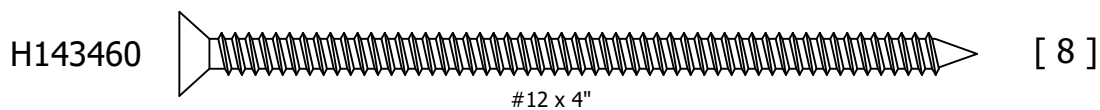
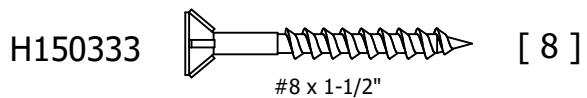
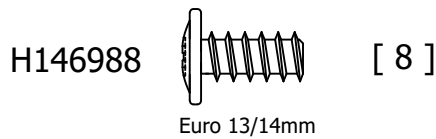
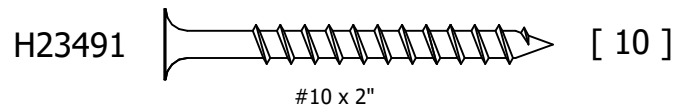
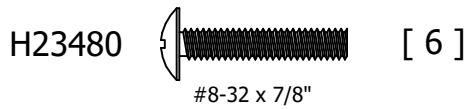
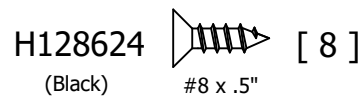
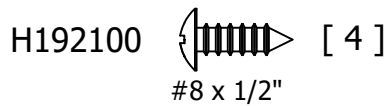
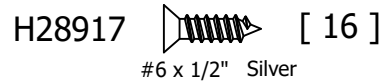
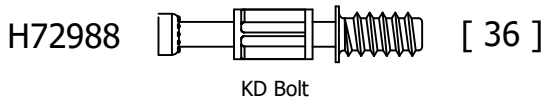
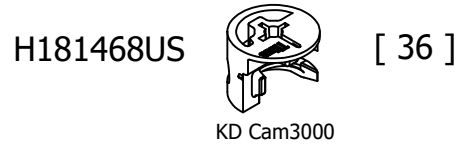
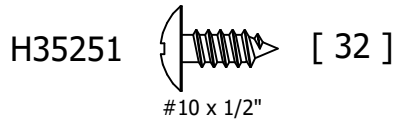
Have an assembly question or need a replacement part? Just call **1-800-950-4782**, we are here to help.

Assembly Option 2



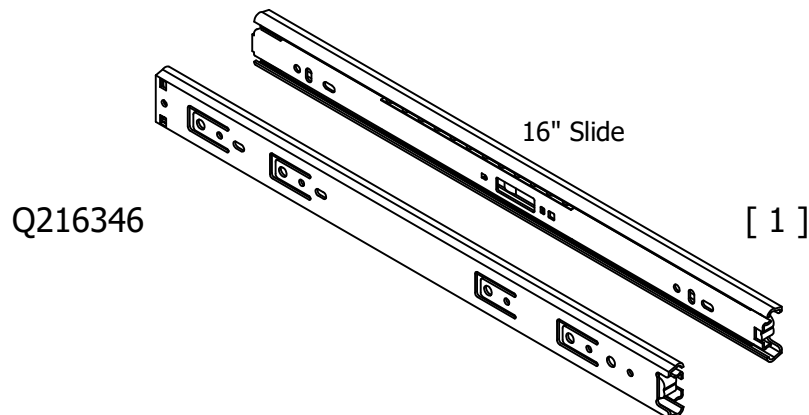
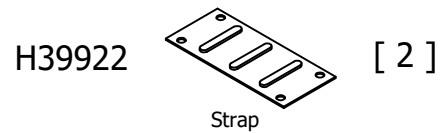
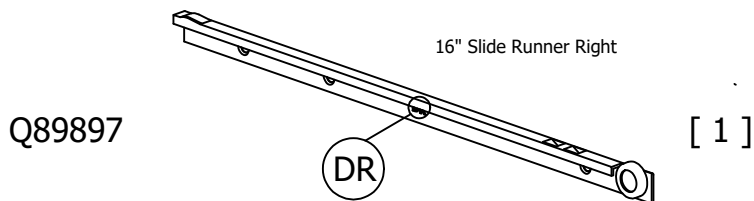
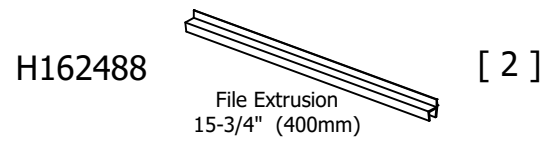
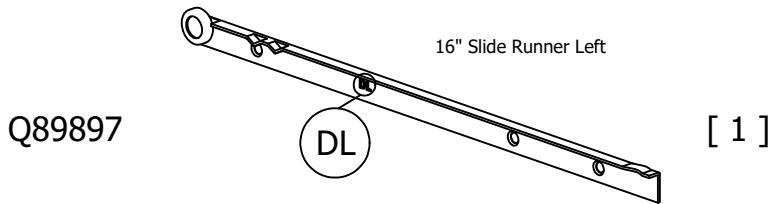
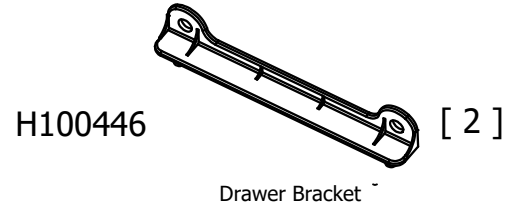
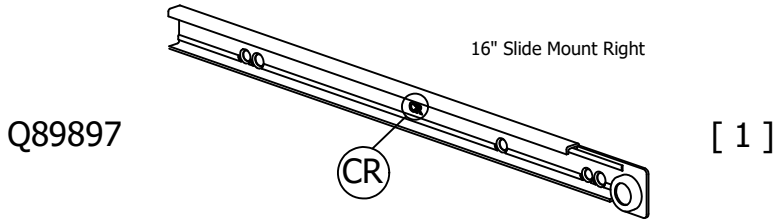
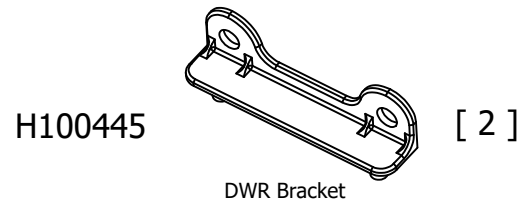
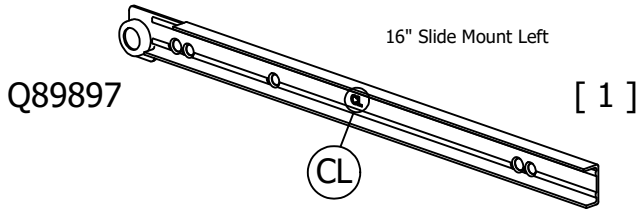
Have an assembly question or need a replacement part? Just call **1-800-950-4782**, we are here to help.

Fasteners are shown actual size.



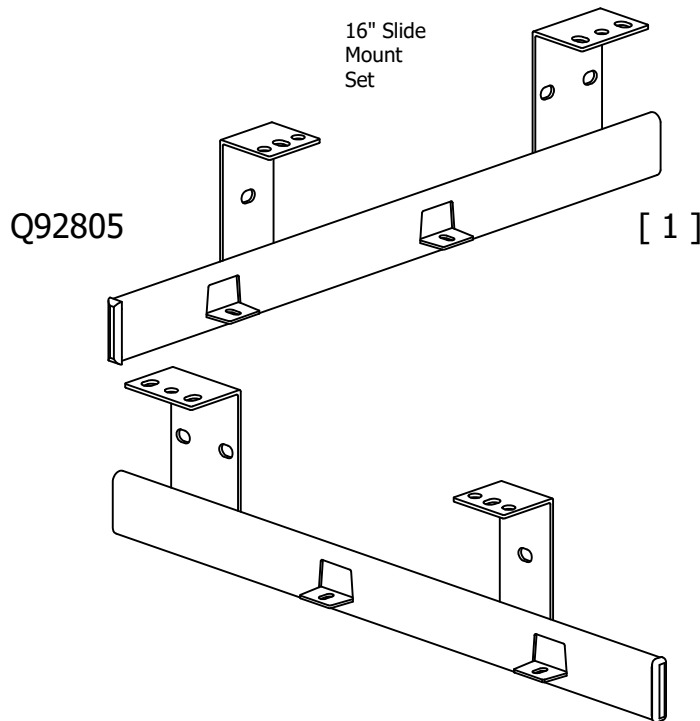
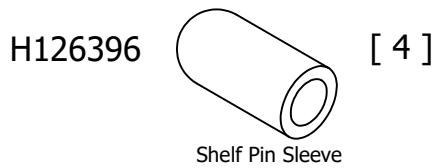
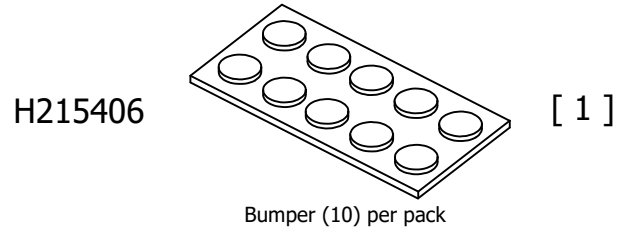
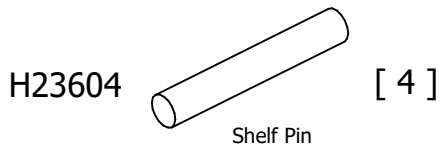
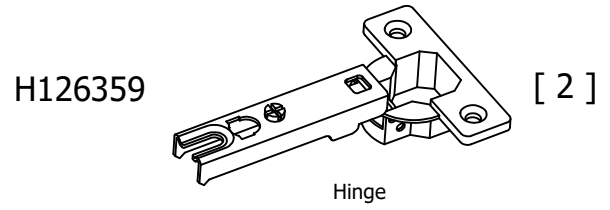
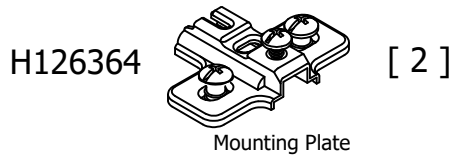
Have an assembly question or need a replacement part? Just call
1-800-950-4782, we are here to help.

Hardware not to scale.



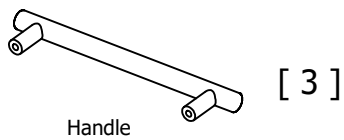
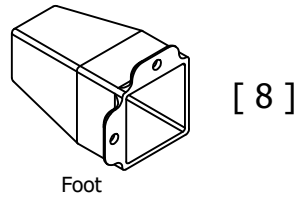
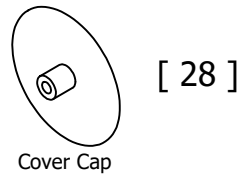
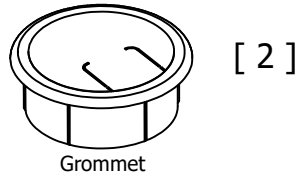
Have an assembly question or need a replacement part? Just call **1-800-950-4782**, we are here to help.

Hardware not to scale.



Have an assembly question or need a replacement part? Just call **1-800-950-4782**, we are here to help.

Hardware not to scale.



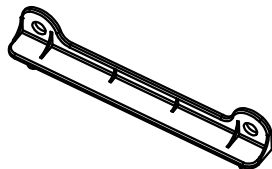
Have an assembly question or need a replacement part? Just call
1-800-950-4782, we are here to help.

STEP 1

Prepare Panels

A186366H

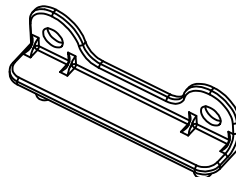
H100446



[2]

Drawer Bracket

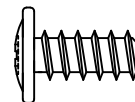
H100445



[2]

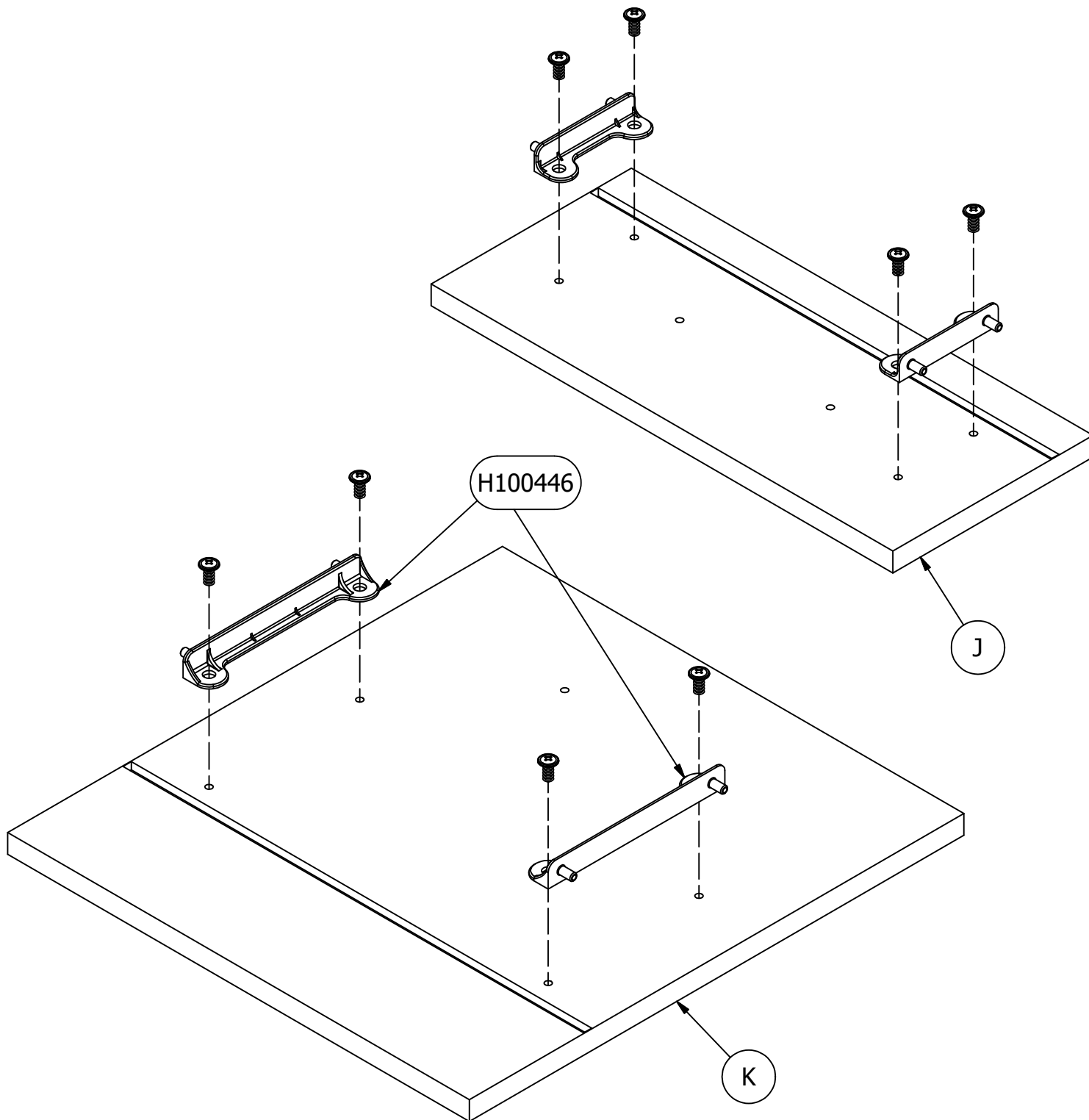
DWR Bracket

H146988



[8]

Euro 13/14mm



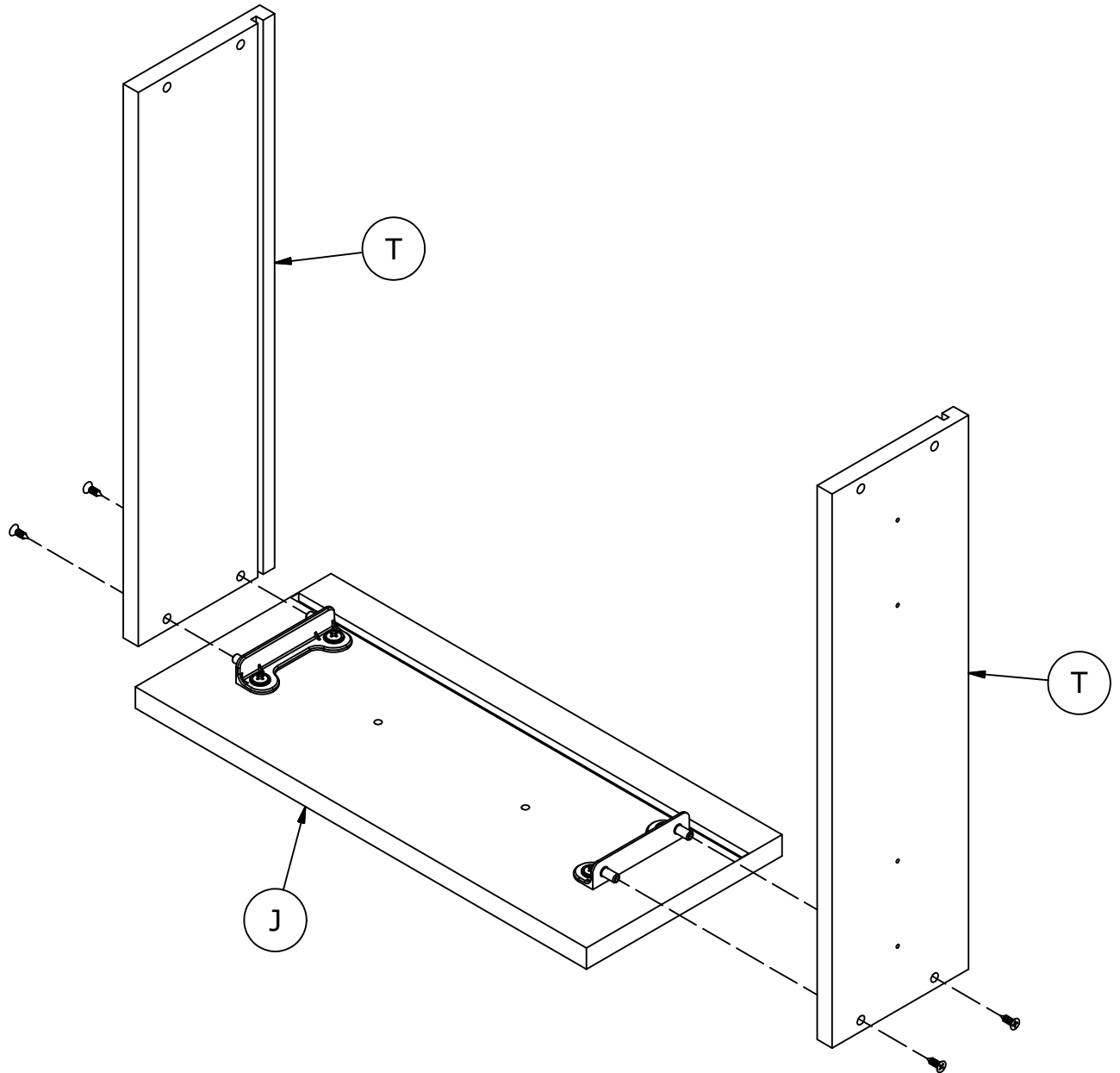
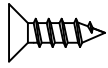
Have an assembly question or need a replacement part? Just call
1-800-950-4782, we are here to help.

STEP 2

Assemble Panels

A186366H

H128624 [4]
(Black) #8 x .5"



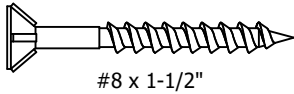
Have an assembly question or need a replacement part? Just call
1-800-950-4782, we are here to help.

STEP 3

Assemble Panels

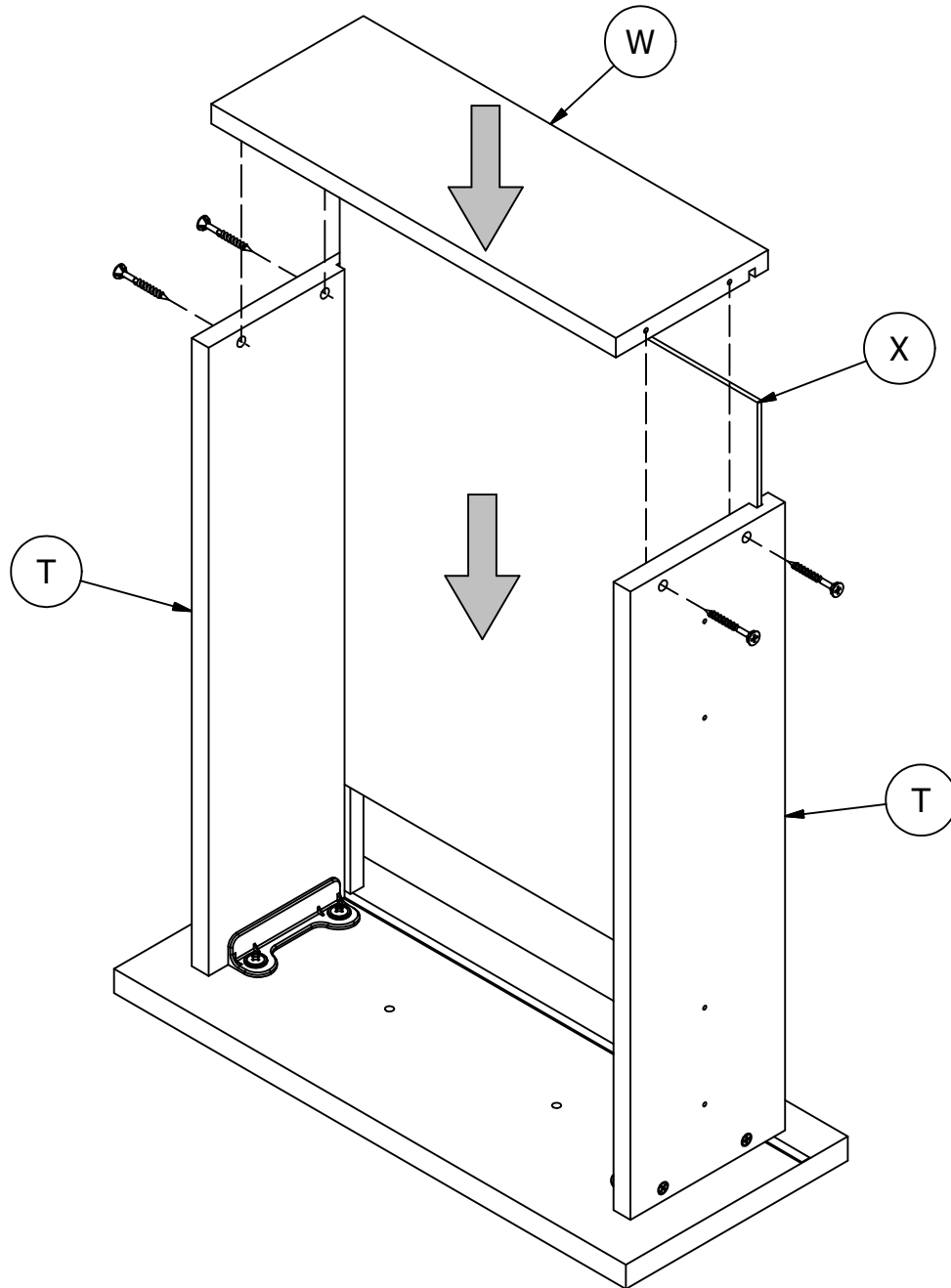
A186366H

H150333



#8 x 1-1/2"

[4]





Have an assembly question or need a replacement part? Just call
1-800-950-4782, we are here to help.

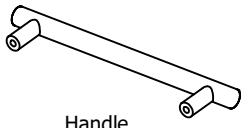
STEP 4

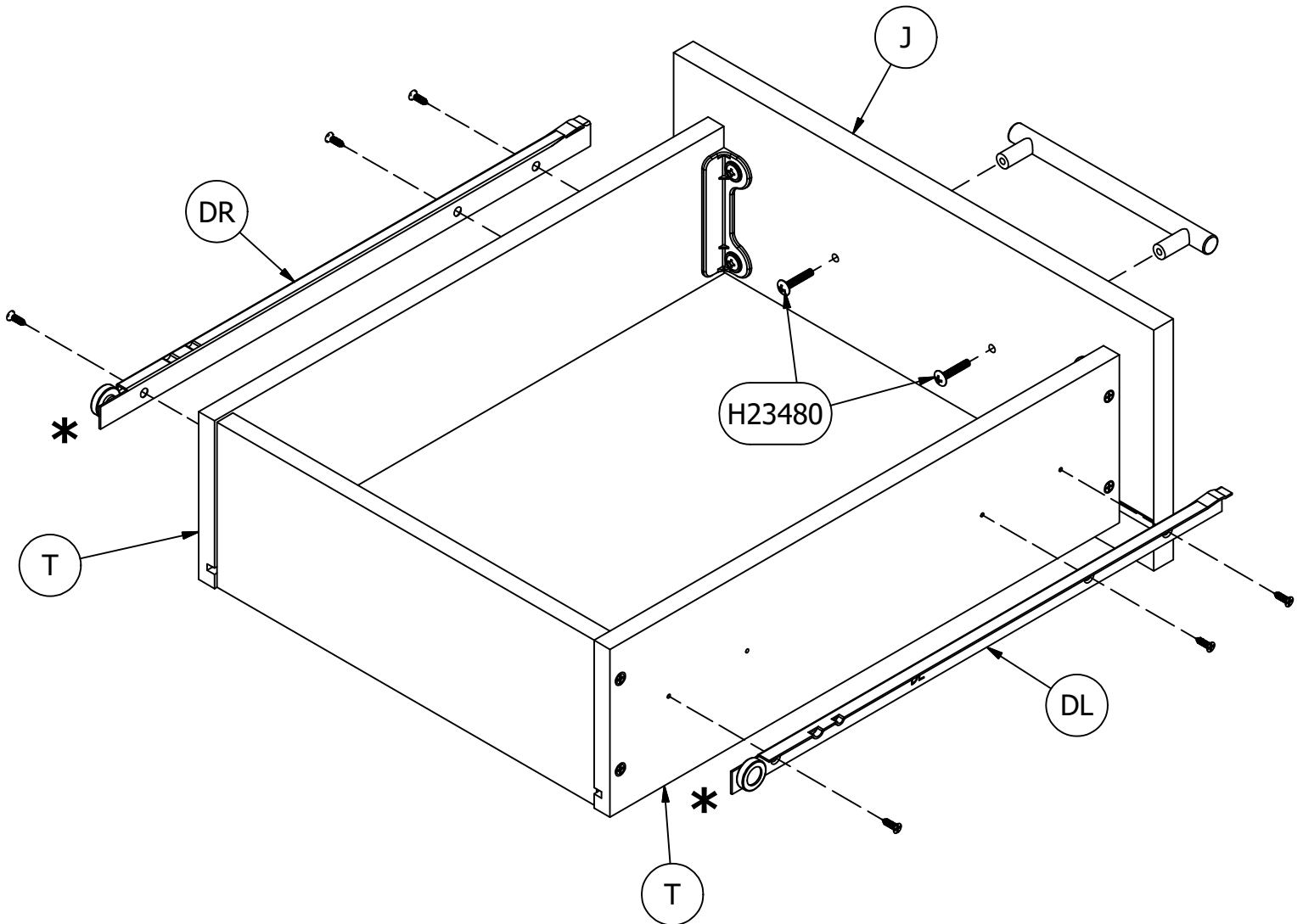
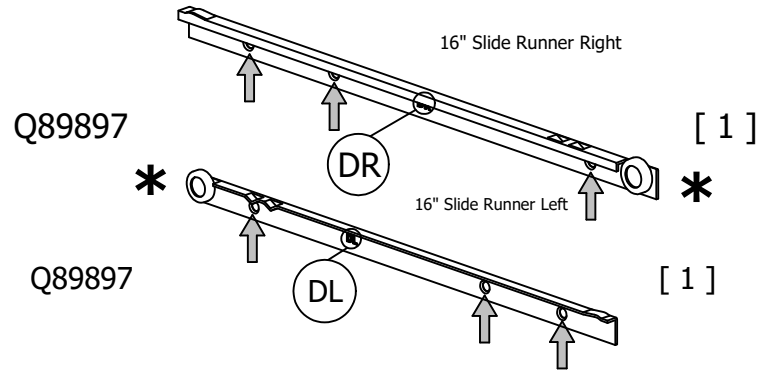
Attach Hardware

A186366H

H23480  [2]
#8-32 x 7/8"

H28917  [6]
#6 x 1/2" Silver

 [1]
Handle



Have an assembly question or need a replacement part? Just call
1-800-950-4782, we are here to help.

Scan QR Code to Watch Video on:

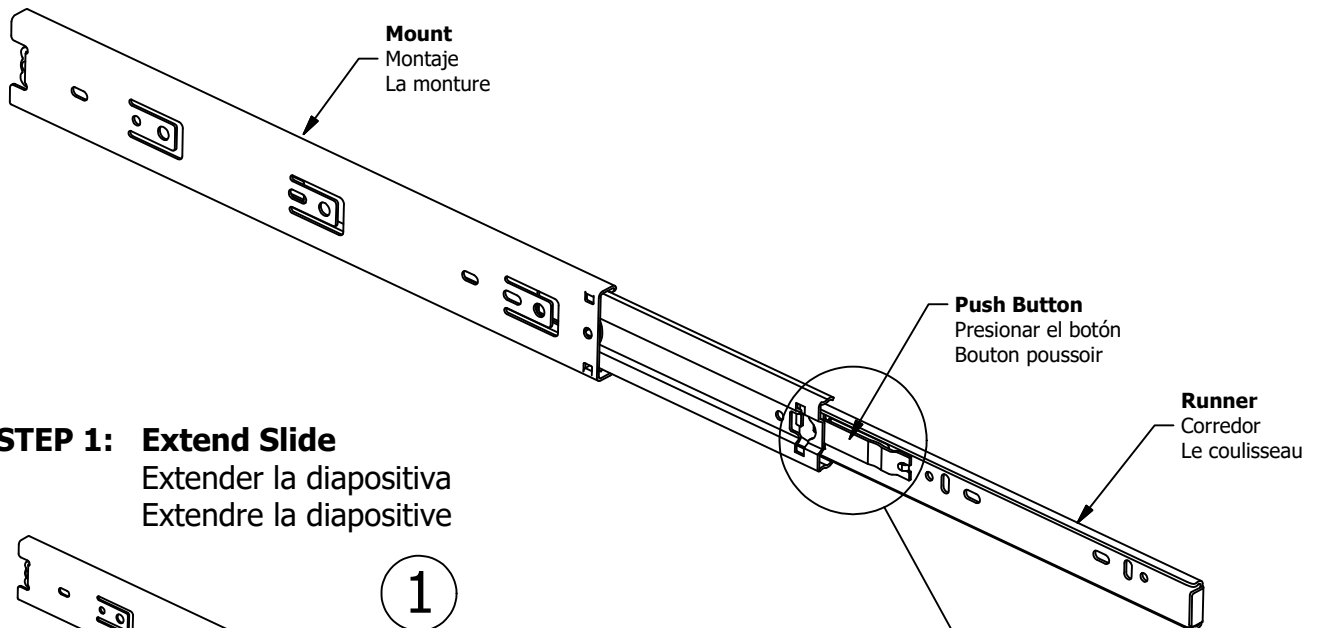


How to Separate and Install Drawer Slides

**Slides Must Be Separated Before Assembly.
After Separated, Set Aside Until Needed for Assembly.**

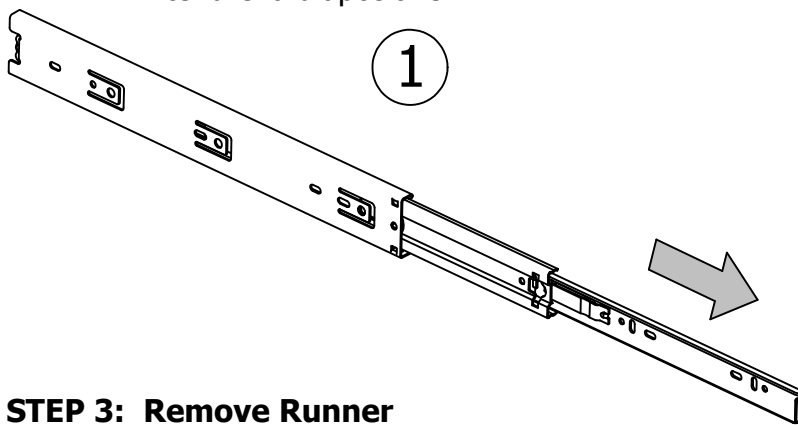
Las diapositivas deben separarse antes del montaje.
Después de la separación, déjelo a un lado hasta que sea necesario.

Les glissières doivent être séparées avant l'assemblage.
Après la séparation, mettez de côté jusqu'au moment de l'assemblage.



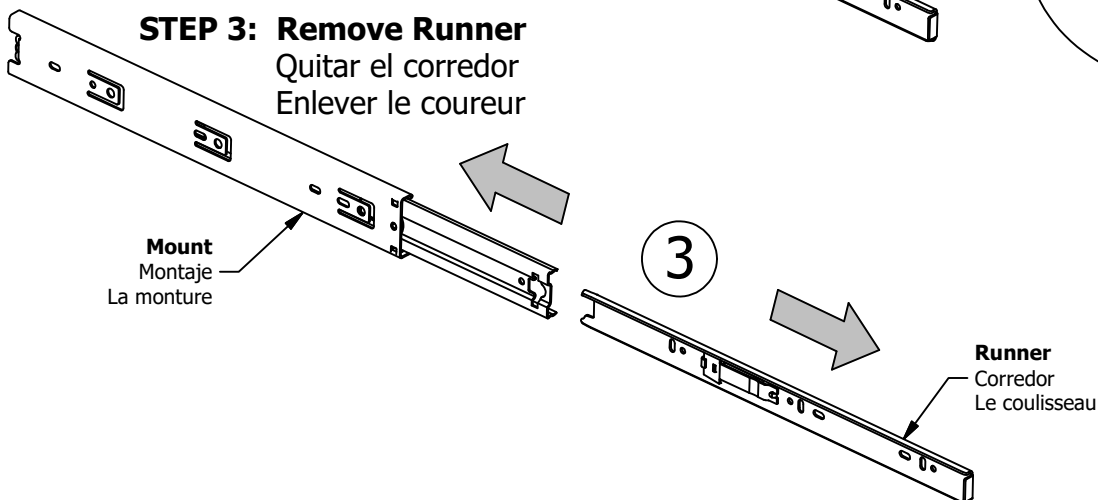
STEP 1: Extend Slide
Extender la diapositiva
Extendre la diapositive

1



STEP 3: Remove Runner
Quitar el corredor
Enlever le coureur

2



3

Mount
Montaje
La monture

Runner
Corredor
Le coulisseau

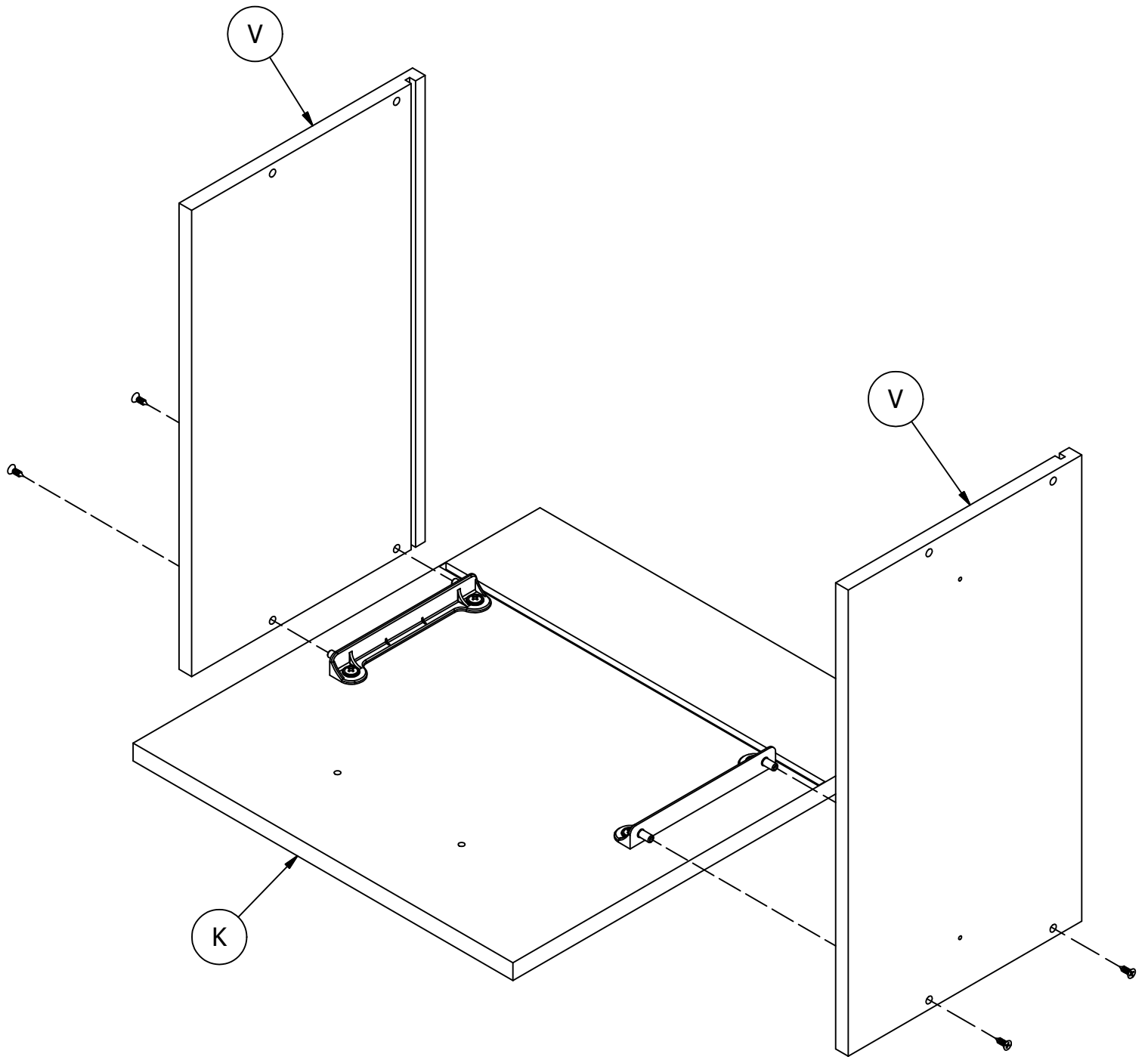
Have an assembly question or need a replacement part? Just call **1-800-950-4782**, we are here to help.

STEP 6

Assemble Panels

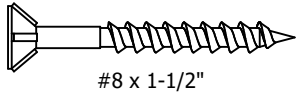
A186366H

H128624 [4]
(Black) #8 x .5"

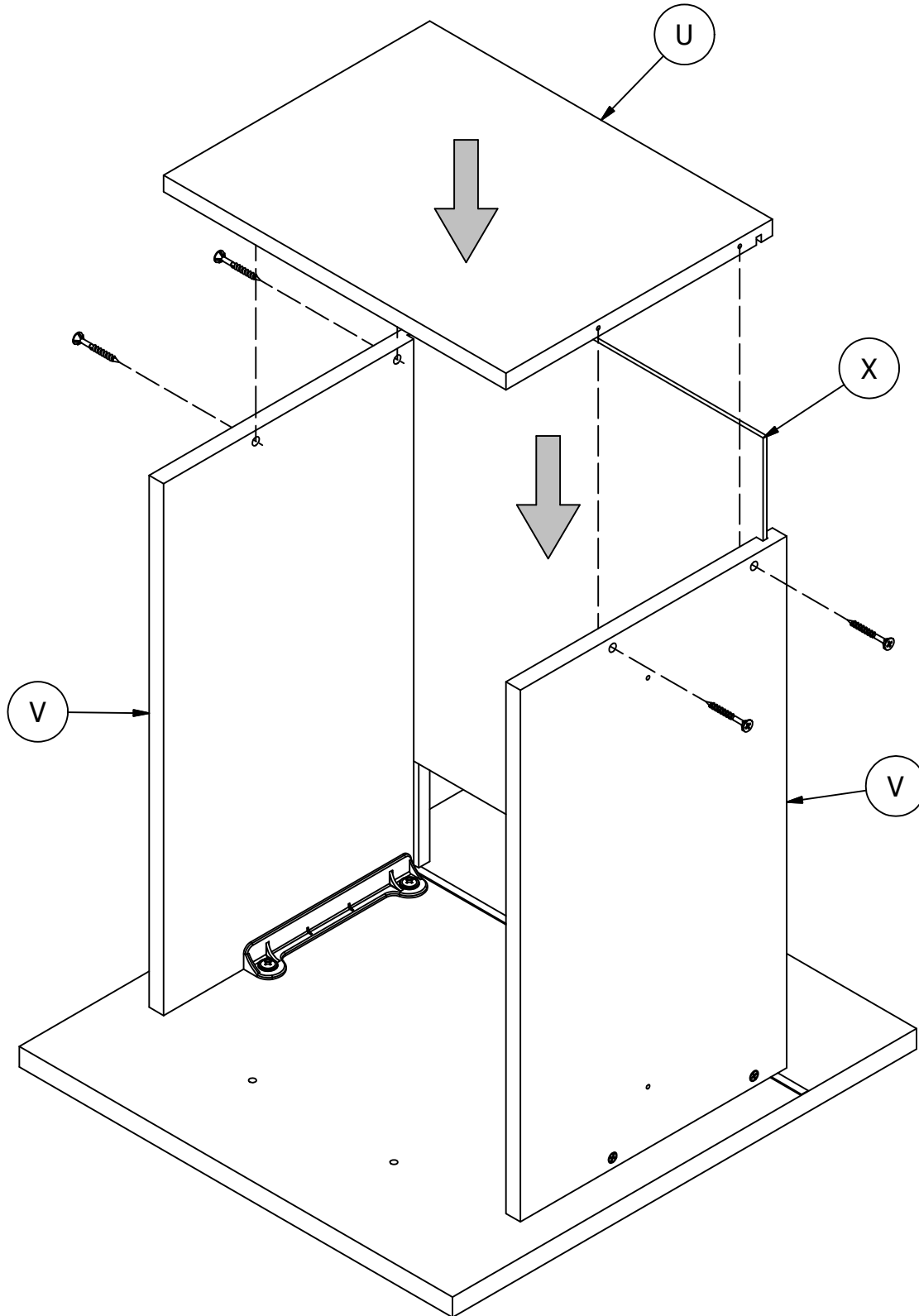


Have an assembly question or need a replacement part? Just call
1-800-950-4782, we are here to help.

H150333



[4]



Have an assembly question or need a replacement part? Just call
1-800-950-4782, we are here to help.

STEP 8


Attach Hardware

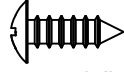
A186366H

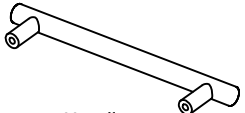
Scan QR Code to Watch Video on:



How to Separate and Install Drawer Slides

H23480  [2]
#8-32 x 7/8"

H192100  [4]
#8 x 1/2"

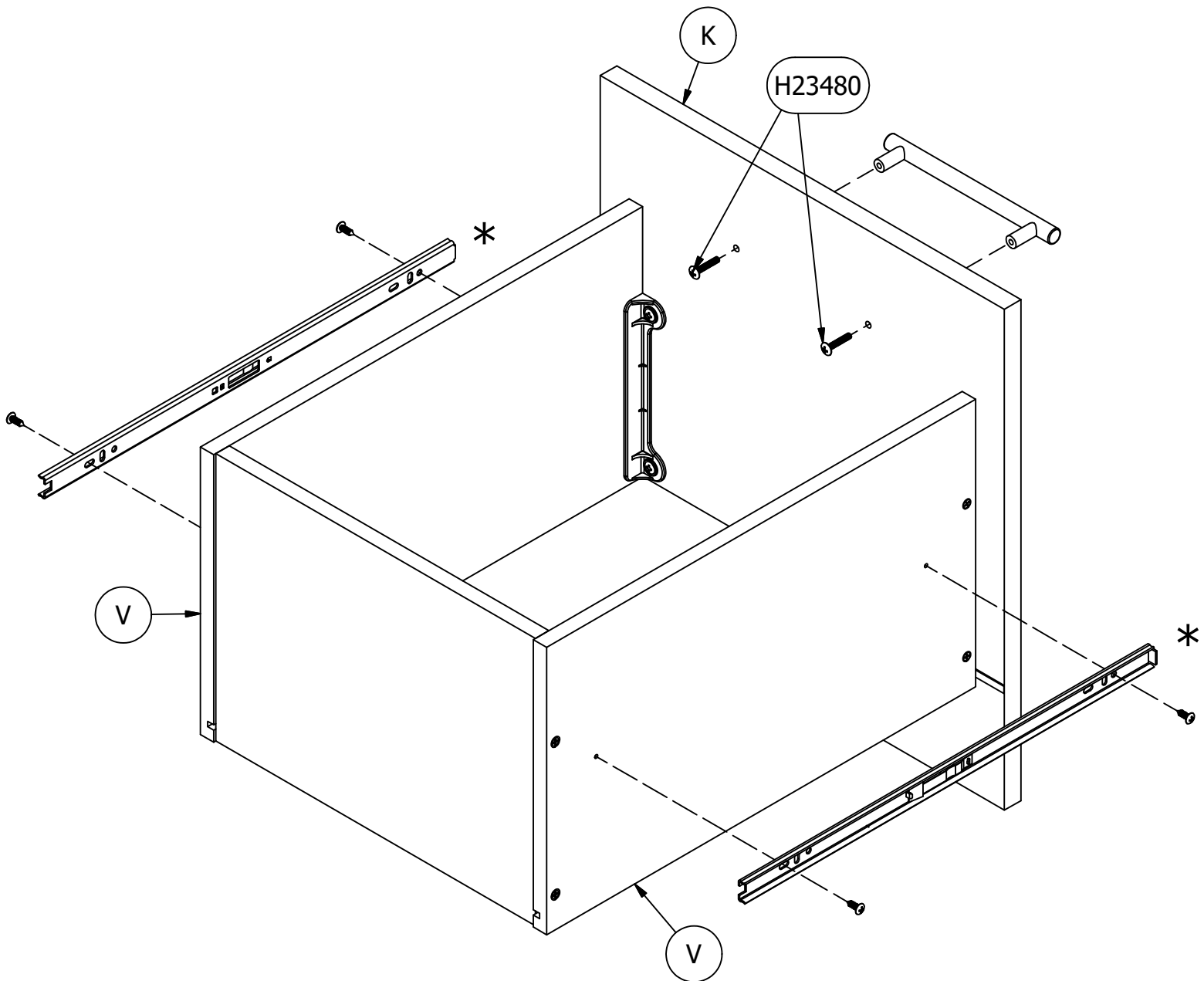
 [1]
Handle

Q216346

16" Slide Runner

[2]

Orientation
Orientación
L'orientation



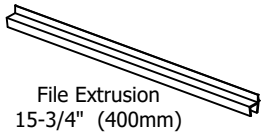
Have an assembly question or need a replacement part? Just call **1-800-950-4782**, we are here to help.

STEP 9

Attach Hardware

A186366H

H162488

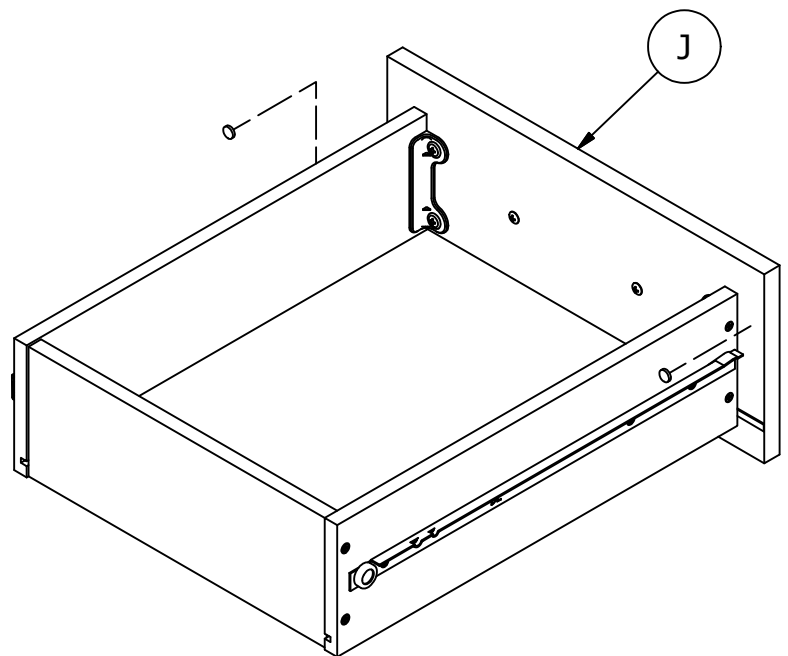
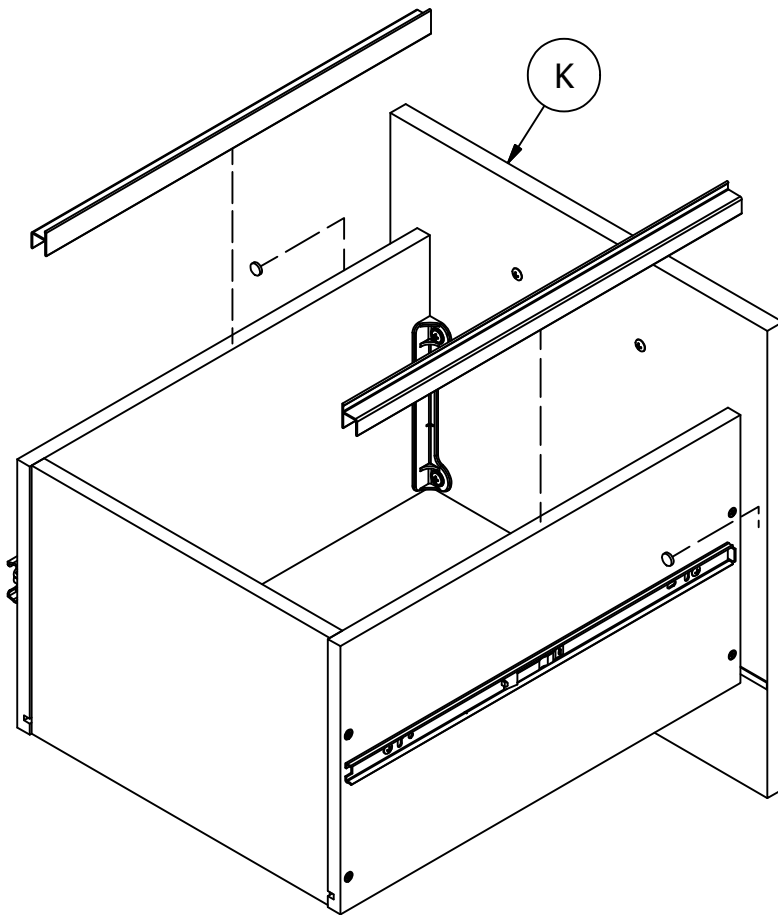


[2]

H215406



[4]



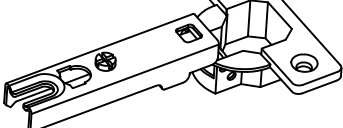

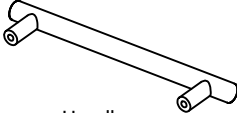


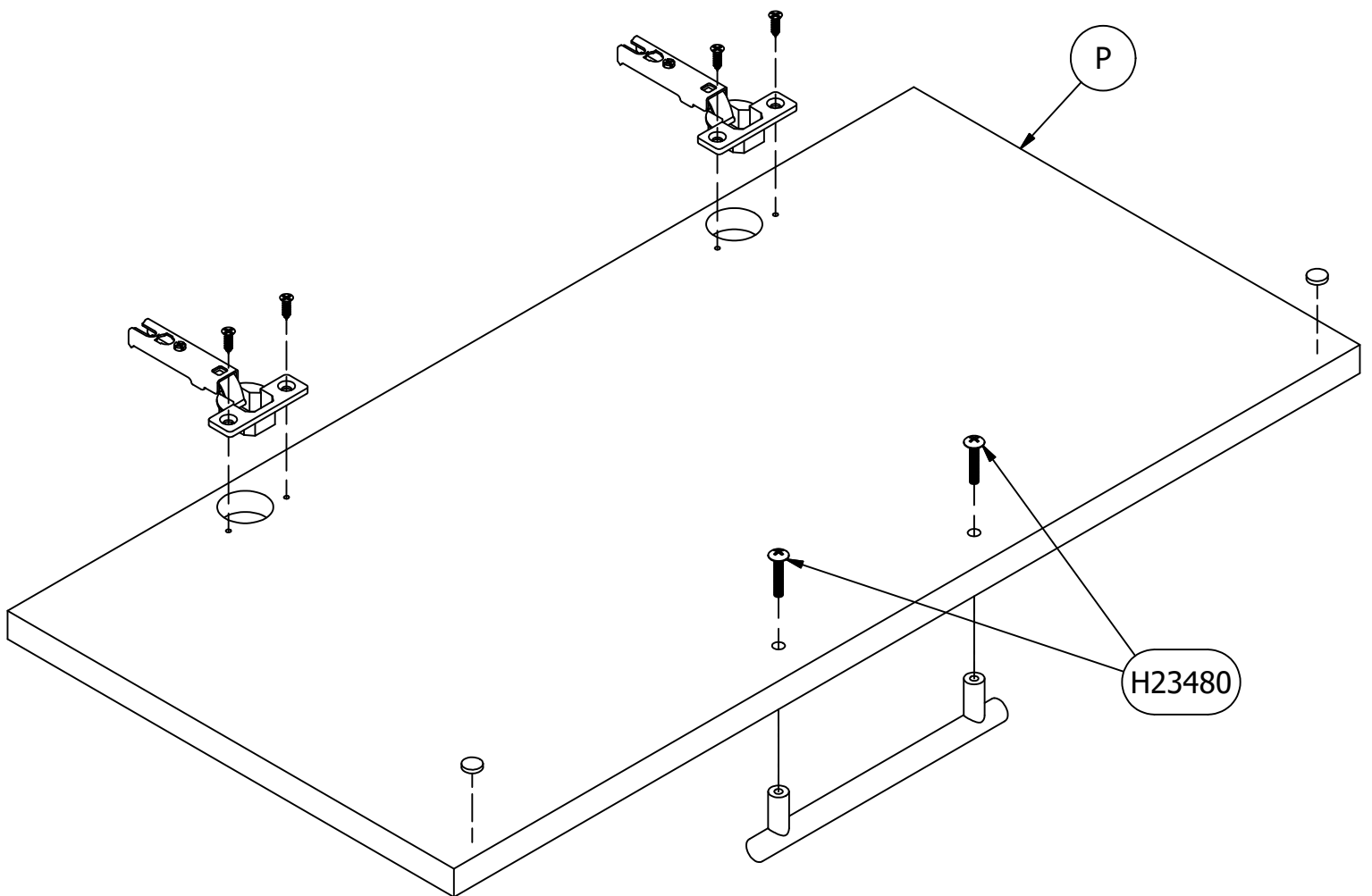
Have an assembly question or need a replacement part? Just call
1-800-950-4782, we are here to help.

STEP 10

Prepare Panel

A186366H

- H23480  [2] #8-32 x 7/8"
- H215406  [2] Bumper
- H126359  [2] Hinge
- H28917  [4] #6 x 1/2" Silver
-  [1] Handle



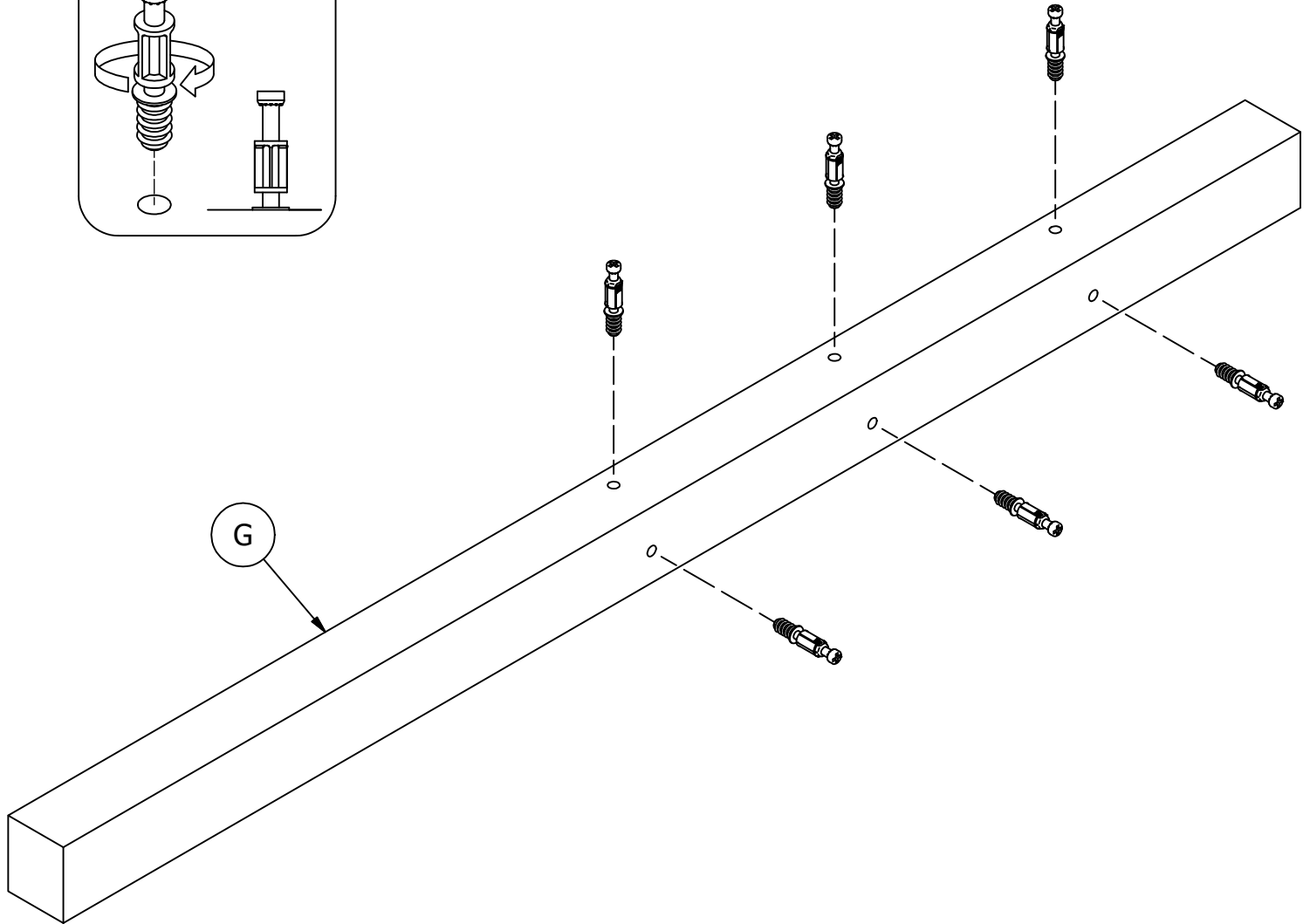
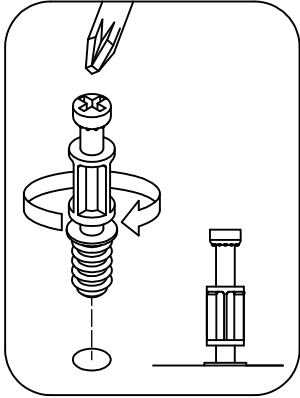
Have an assembly question or need a replacement part? Just call **1-800-950-4782**, we are here to help.

STEP 11

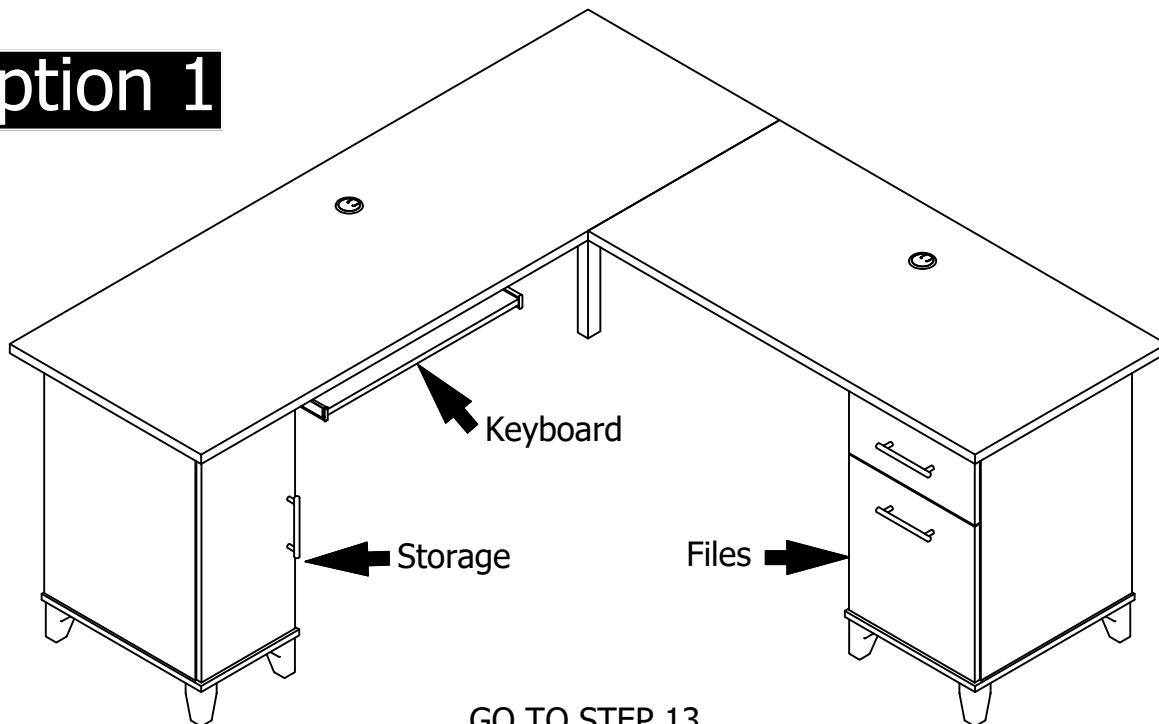
Prepare Panel

A186366H

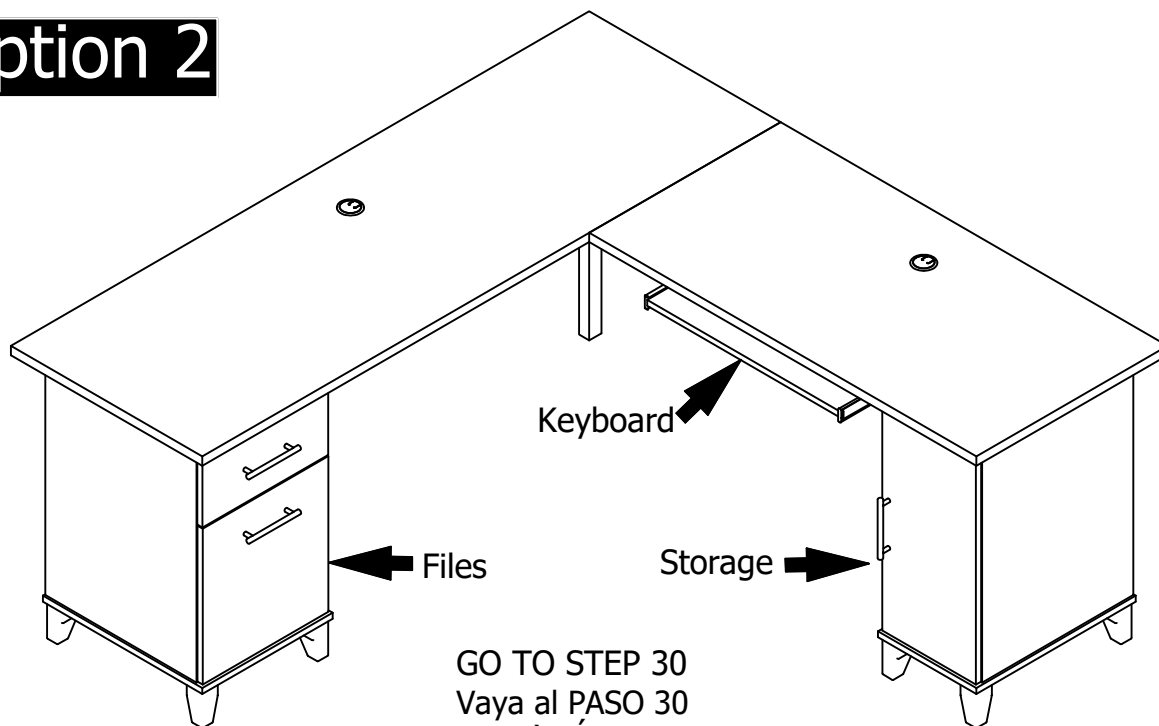
H72988 [6]
KD Bolt



Have an assembly question or need a replacement part? Just call
1-800-950-4782, we are here to help.

Option 1

GO TO STEP 13
Vaya al PASO 13
Allez à l'ÉTAPE 13

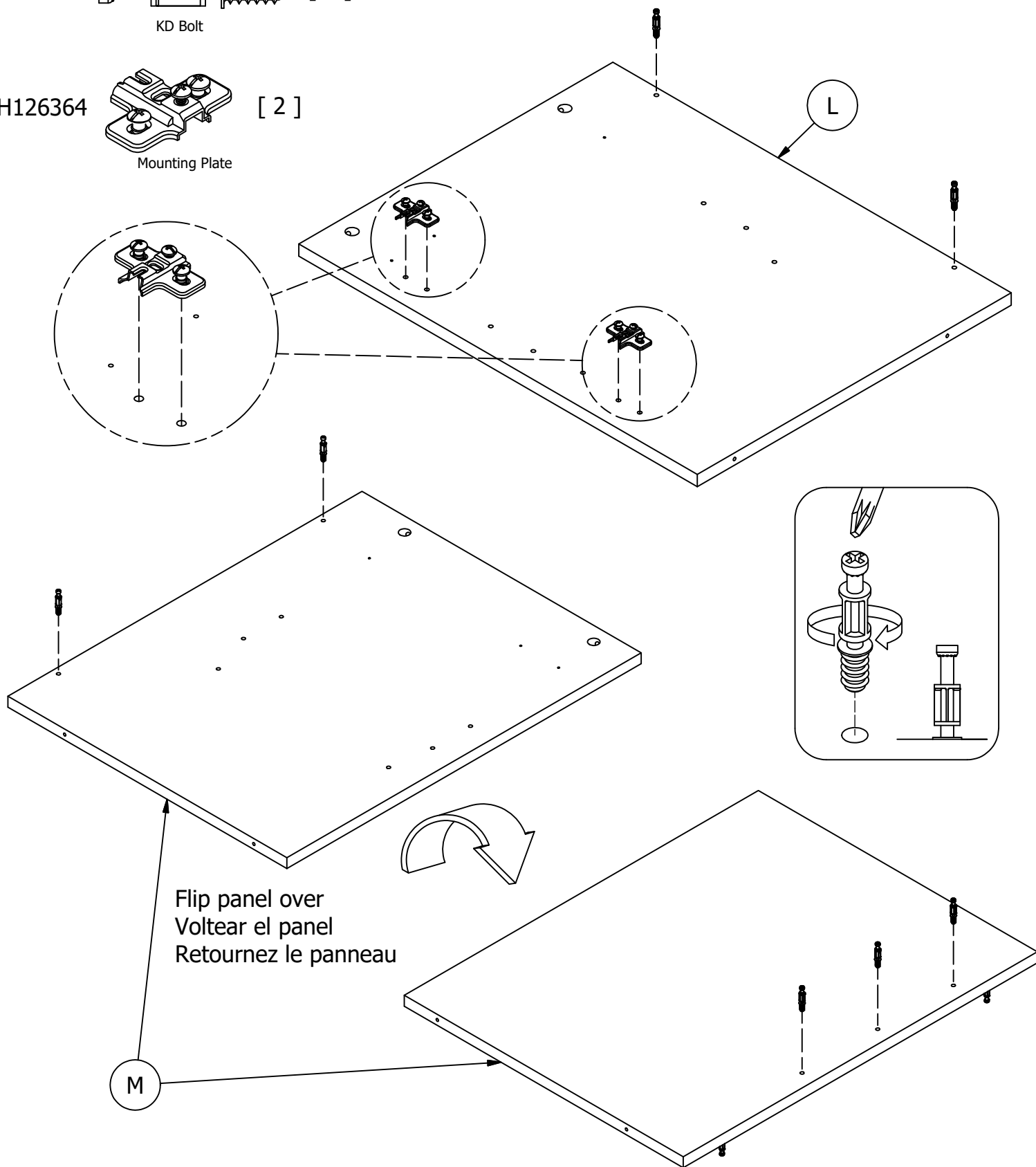
Option 2

GO TO STEP 30
Vaya al PASO 30
Allez à l'ÉTAPE 30

Have an assembly question or need a replacement part? Just call
1-800-950-4782, we are here to help.

H72988 [7]
KD Bolt

H126364 [2]
Mounting Plate



Have an assembly question or need a replacement part? Just call
1-800-950-4782, we are here to help.

STEP 14

Assemble Panels

A186366H

Scan QR Code to Watch Video on:

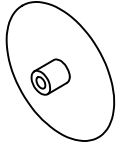


How to Tighten KD Cams

H181468US



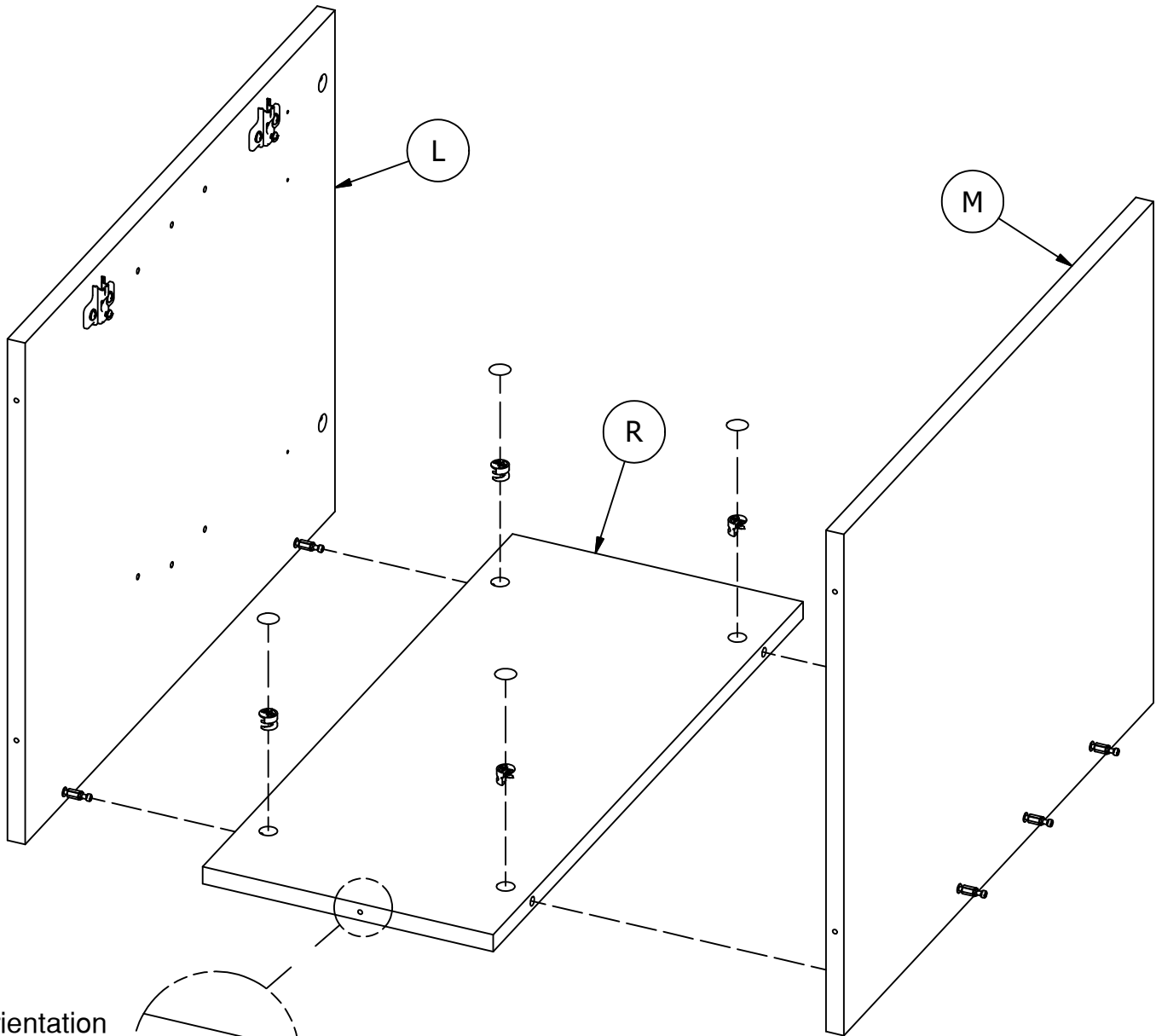
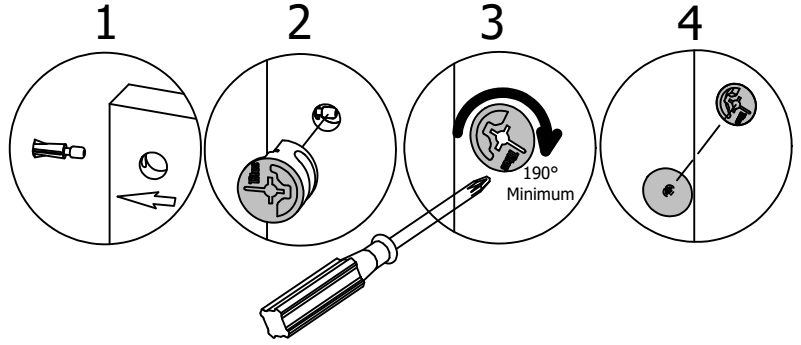
KD Cam3000



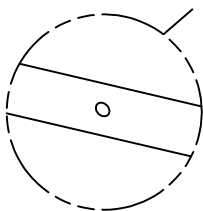
Cover Cap

[4]

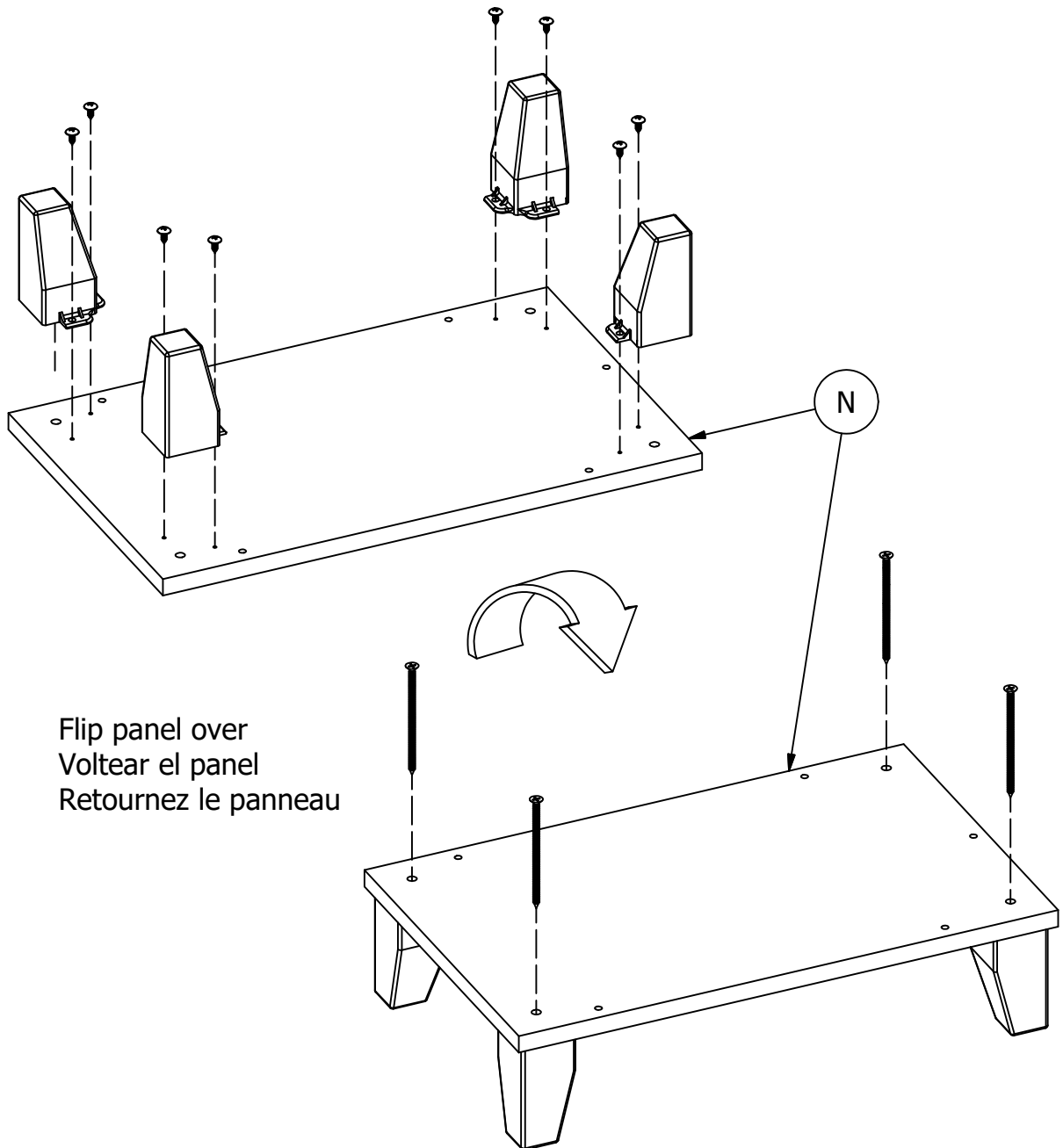
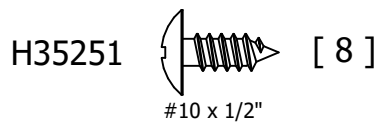
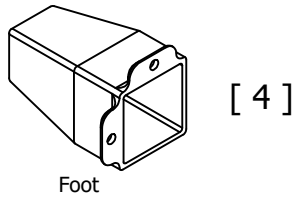
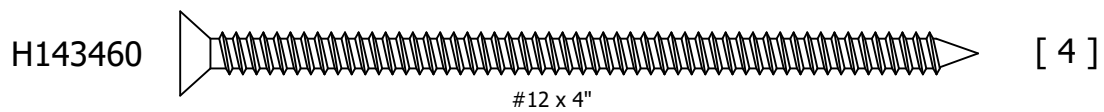
[4]



Orientation
Orientación
L'orientation

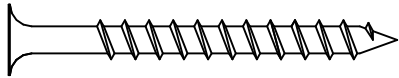


Have an assembly question or need a replacement part? Just call **1-800-950-4782**, we are here to help.



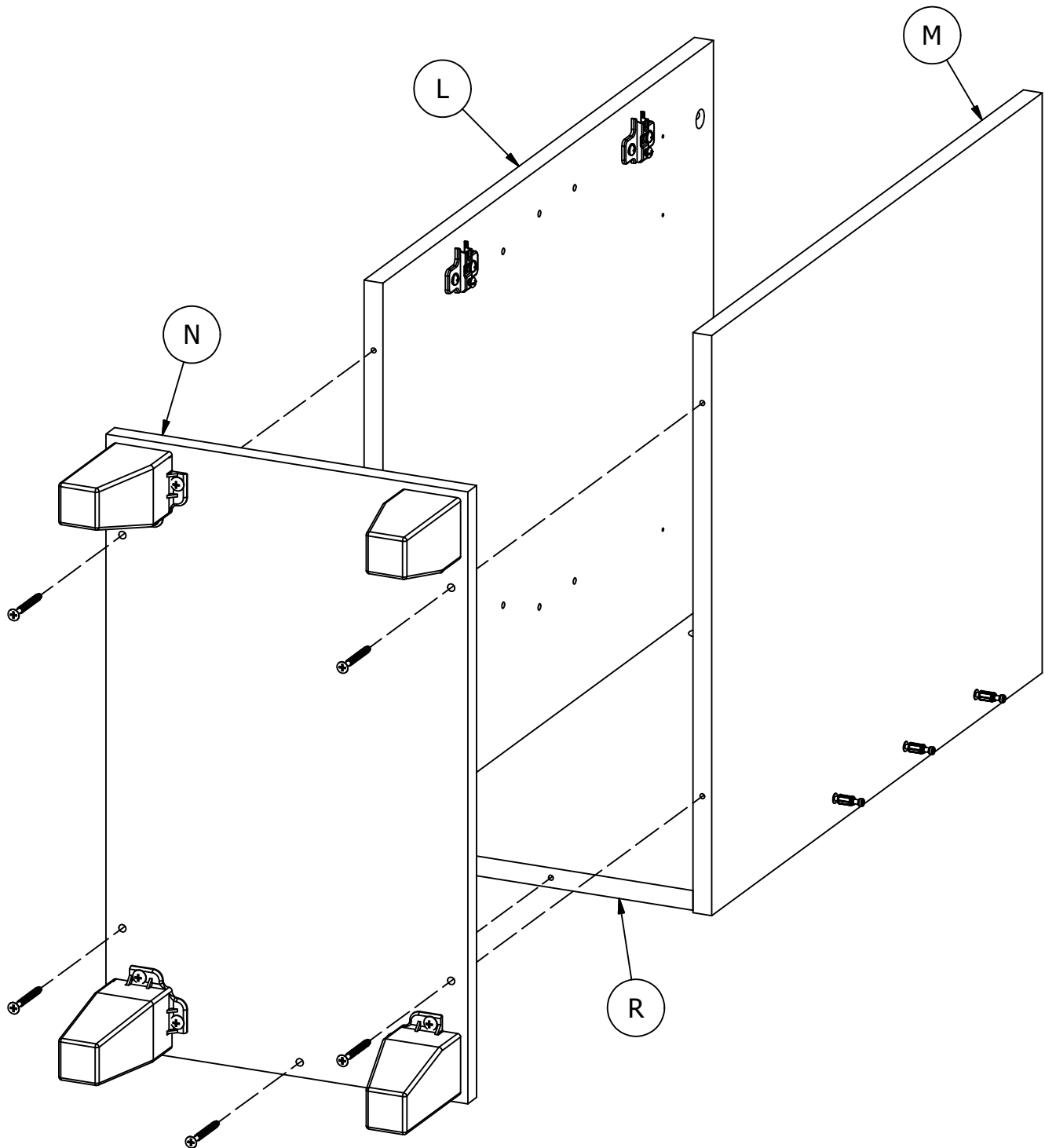
Have an assembly question or need a replacement part? Just call
1-800-950-4782, we are here to help.

H23491



[5]

#10 x 2"



Have an assembly question or need a replacement part? Just call
1-800-950-4782, we are here to help.

STEP 17


Prepare Panel


A186366H

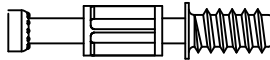
Scan QR Code to Watch Video on:

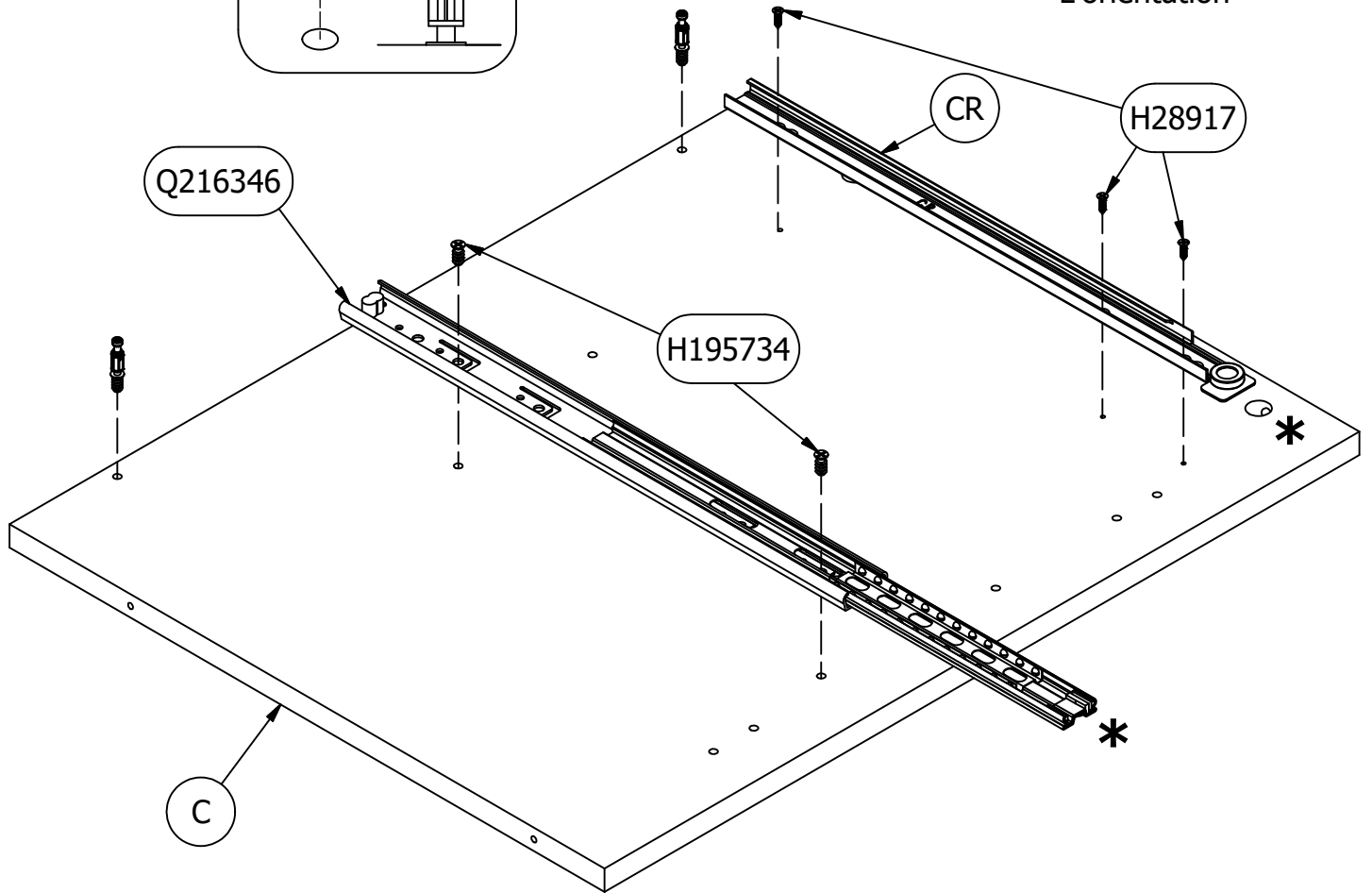
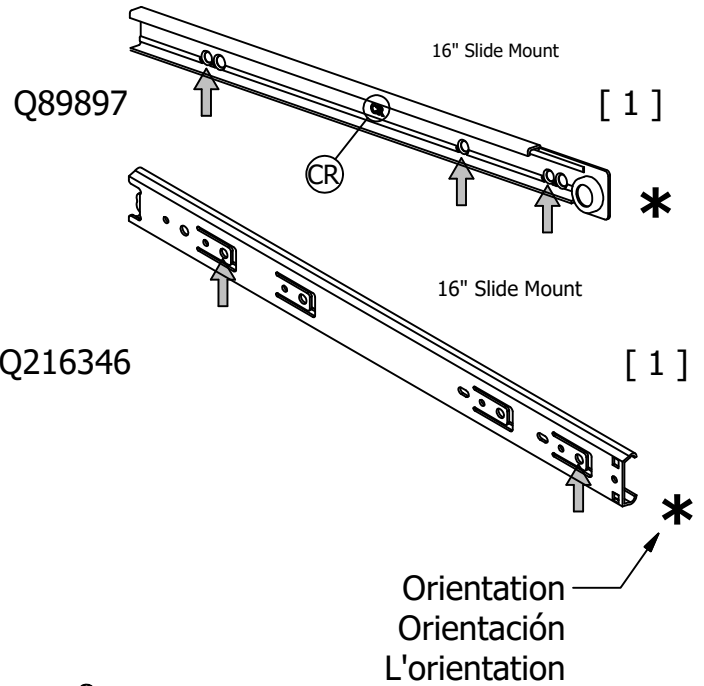
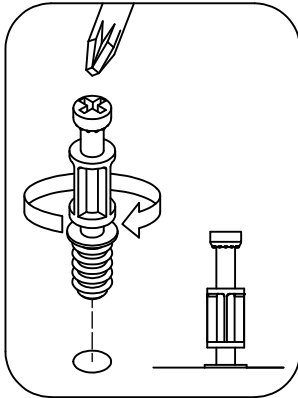


How to Separate and Install Drawer Slides

H28917  [3]
#6 x 1/2" Silver

H195734  [2]
M6.3 X 13MM

H72988  [2]
KD Bolt



Have an assembly question or need a replacement part? Just call **1-800-950-4782**, we are here to help.

STEP 18

Prepare Panel

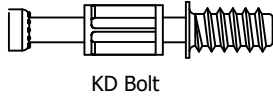
A186366H

Scan QR Code to Watch Video on:

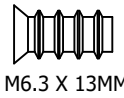


How to Separate and Install Drawer Slides

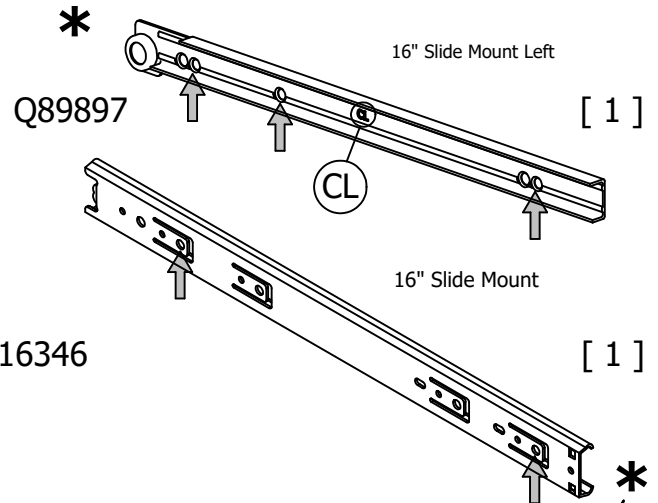
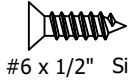
H72988 [5]
KD Bolt



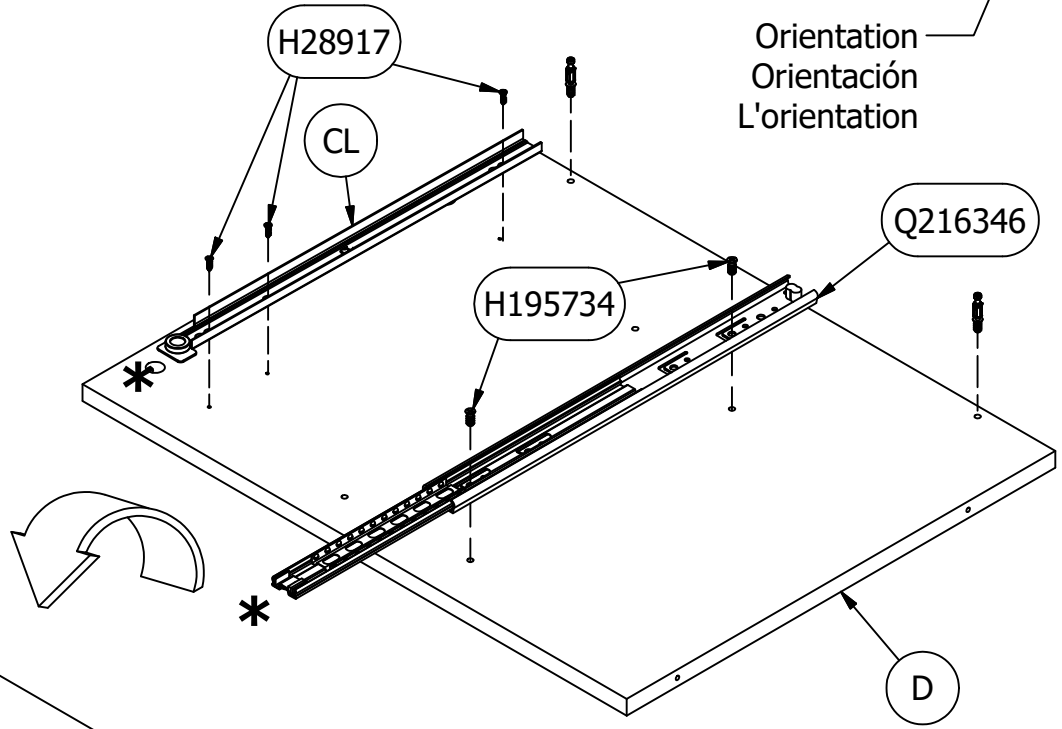
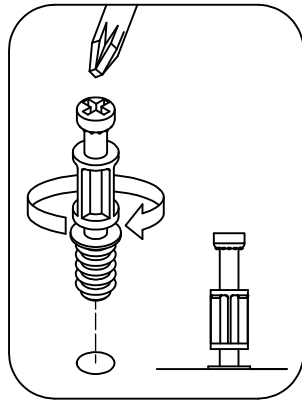
H195734 [2]
M6.3 X 13MM



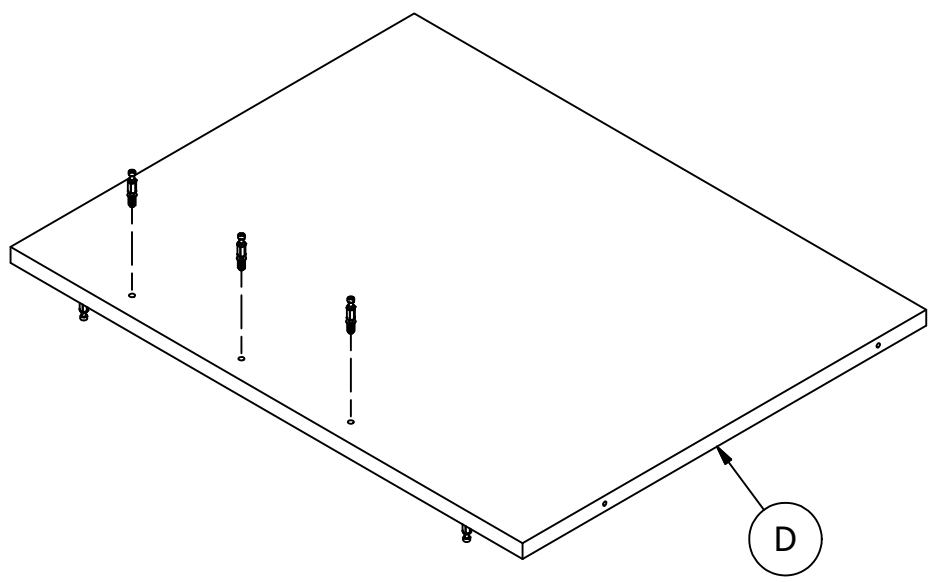
H28917 [3]
#6 x 1/2" Silver



Orientation
Orientación
L'orientation



Flip panel over
Voltear el panel
Retournez le panneau



Have an assembly question or need a replacement part? Just call **1-800-950-4782**, we are here to help.

STEP 19

Assemble Panels

A186366H

Scan QR Code to Watch Video on:

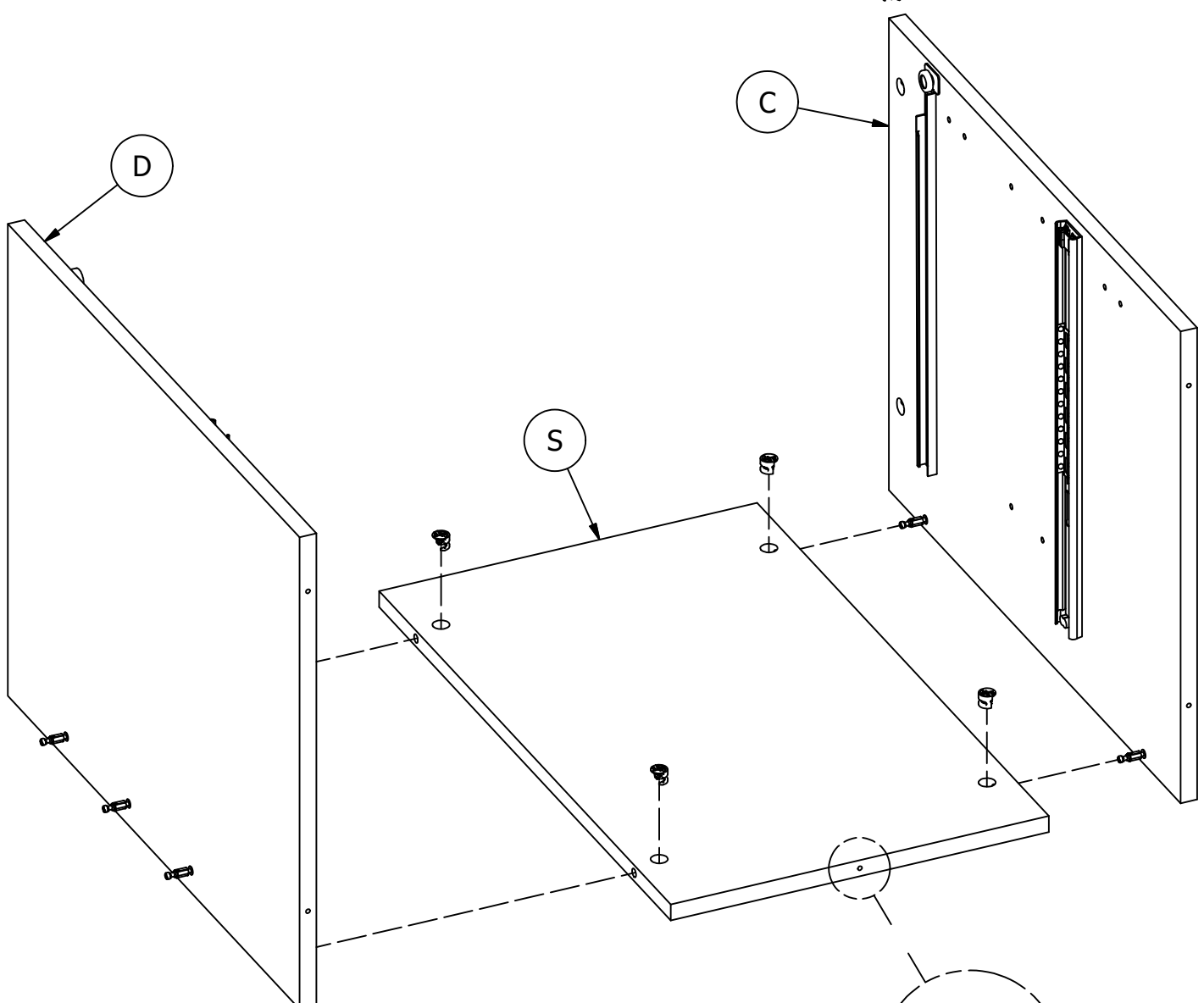
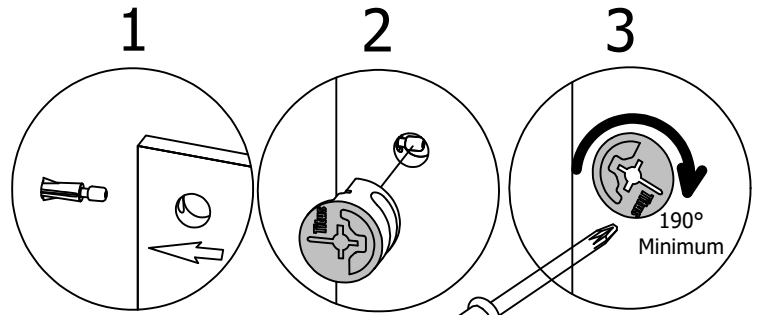


How to Tighten KD Cams

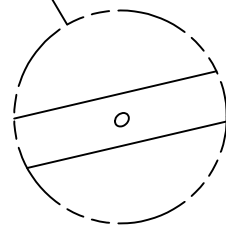
H181468US



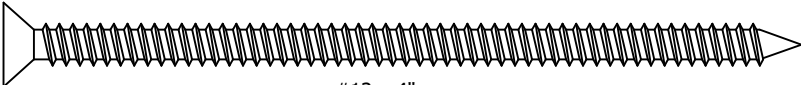
[4]

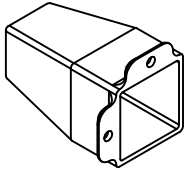


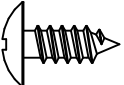
Orientation
Orientación
L'orientation

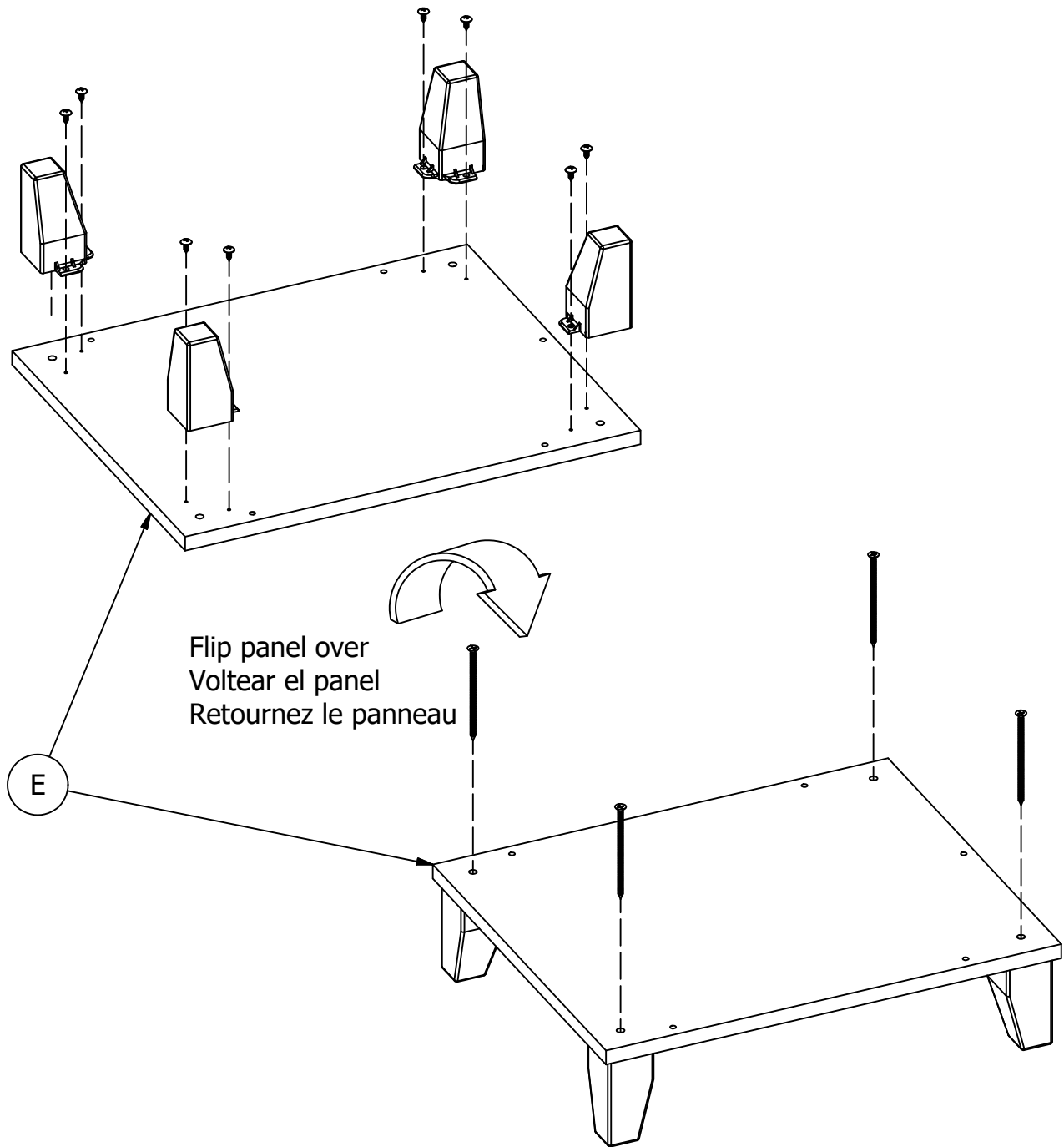


Have an assembly question or need a replacement part? Just call **1-800-950-4782**, we are here to help.

H143460  [4]
#12 x 4"

 [4]
Foot

H35251  [8]
#10 x 1/2"



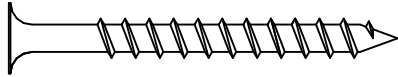
Have an assembly question or need a replacement part? Just call
1-800-950-4782, we are here to help.

STEP 21

Assemble Panels

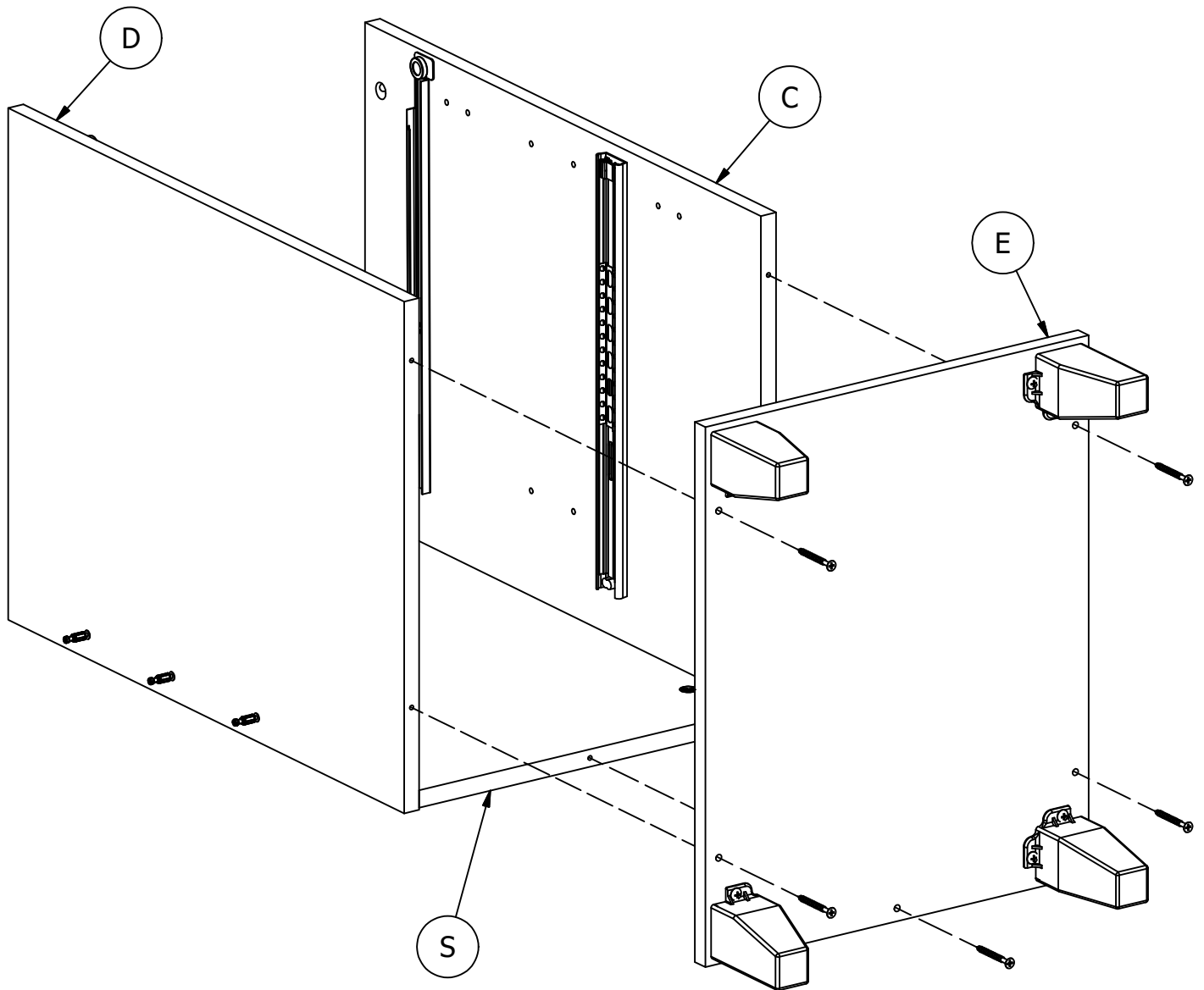
A186366H

H23491



[5]

#10 x 2"



Have an assembly question or need a replacement part? Just call
1-800-950-4782, we are here to help.

STEP 22

Assemble Panels

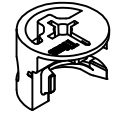
A186366H

Scan QR Code to Watch Video on:

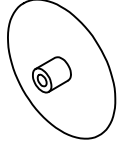


How to Tighten KD Cams

H181468US



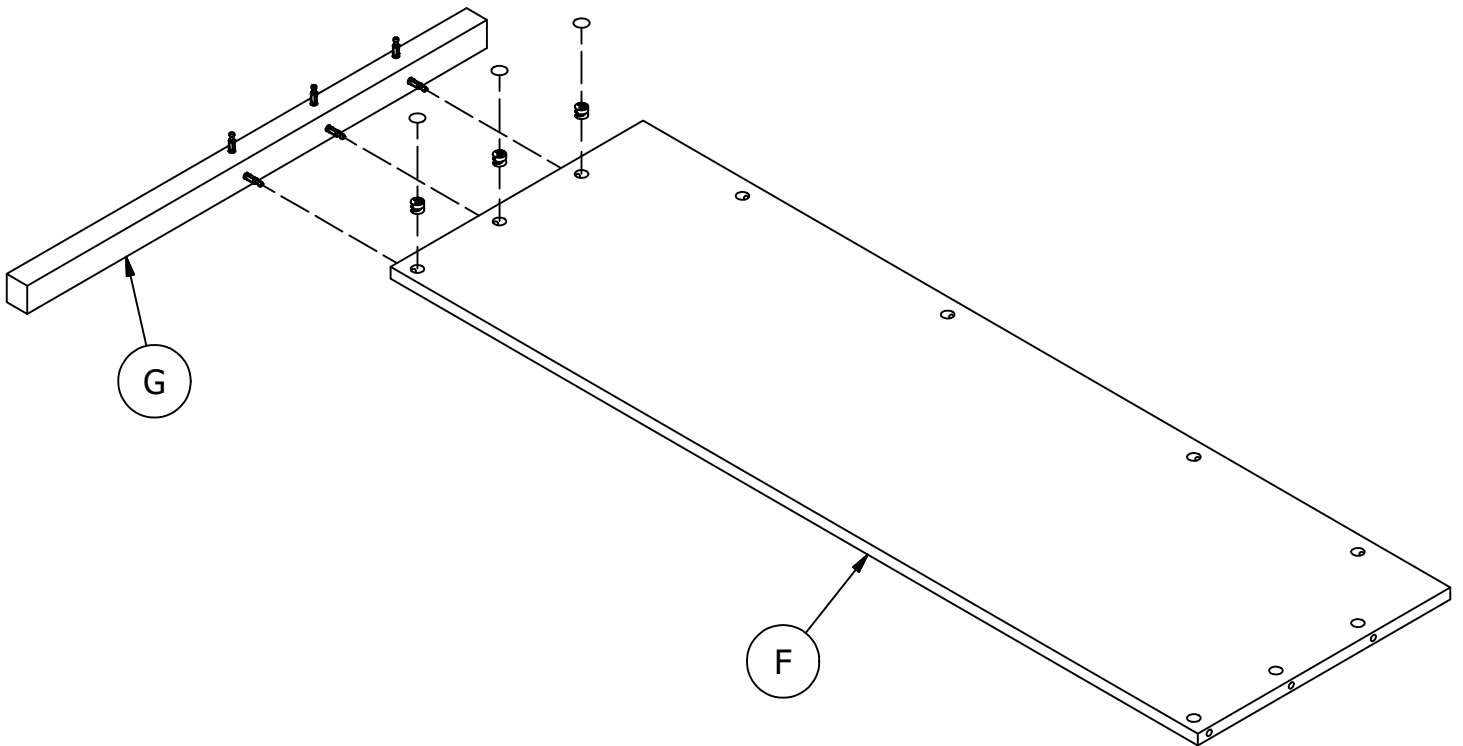
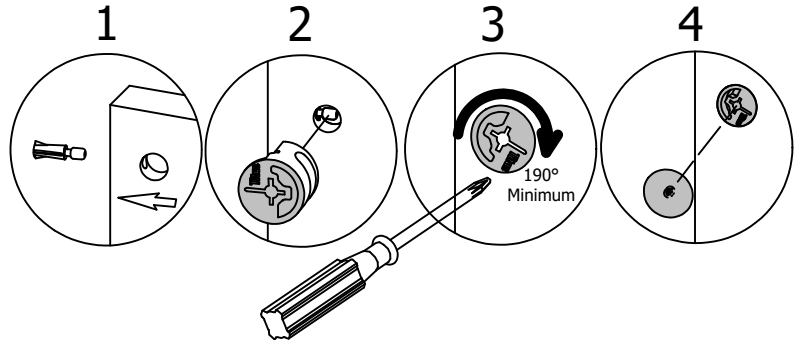
KD Cam3000



Cover Cap

[3]

[3]



Have an assembly question or need a replacement part? Just call **1-800-950-4782**, we are here to help.

STEP 23

Assemble Panels

A186366H

Scan QR Code to Watch Video on:



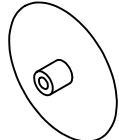
How to Tighten KD Cams

H181468US



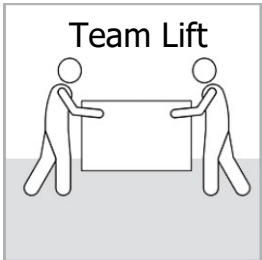
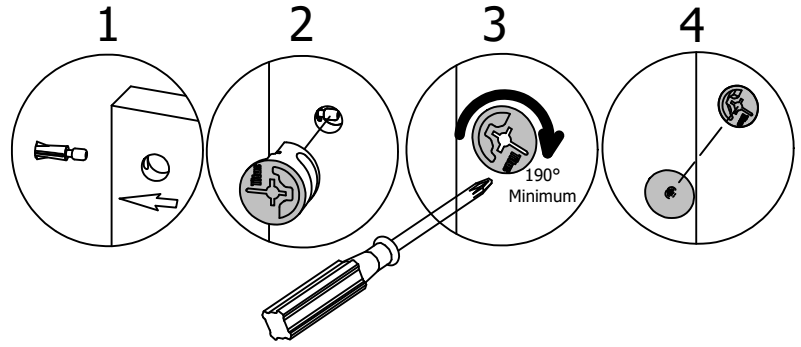
KD Cam3000

[3]

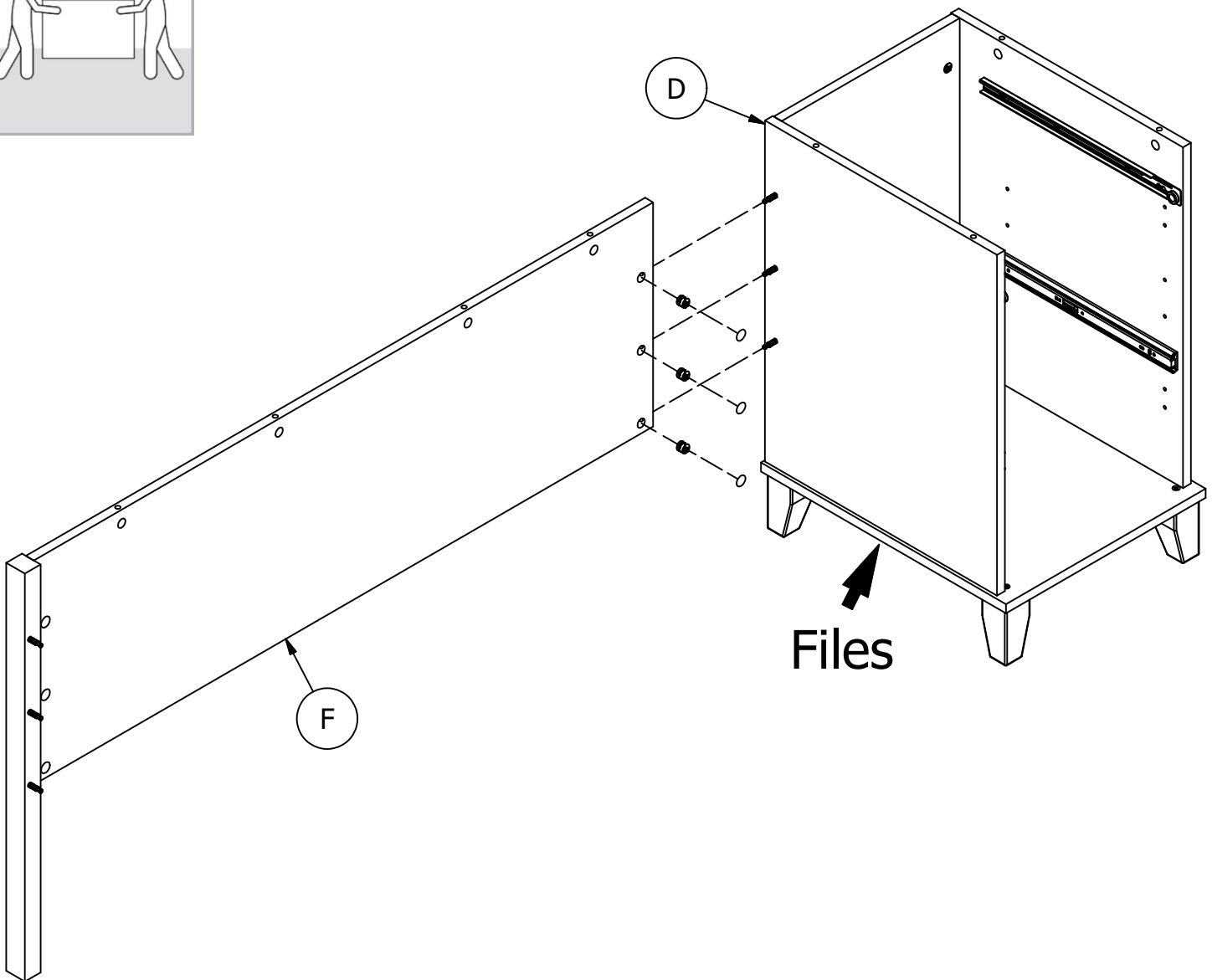


Cover Cap

[3]



Team Lift



Have an assembly question or need a replacement part? Just call **1-800-950-4782**, we are here to help.

STEP 24

Assemble Panels

A186366H

Scan QR Code to Watch Video on:



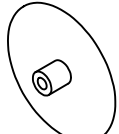
How to Tighten KD Cams

H181468US



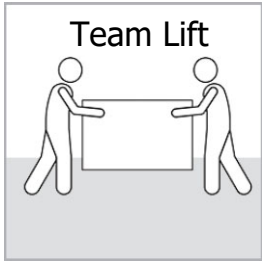
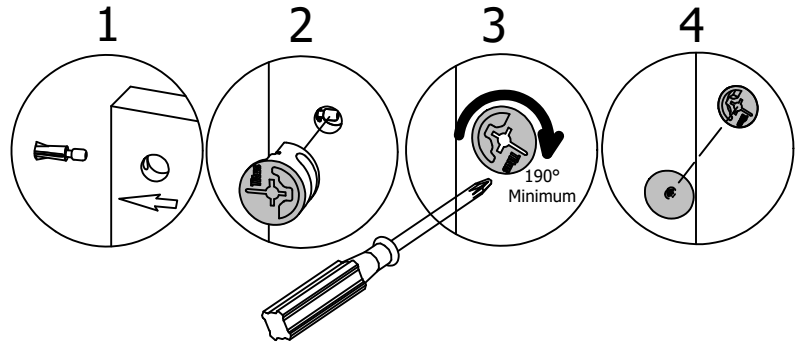
KD Cam3000

[6]

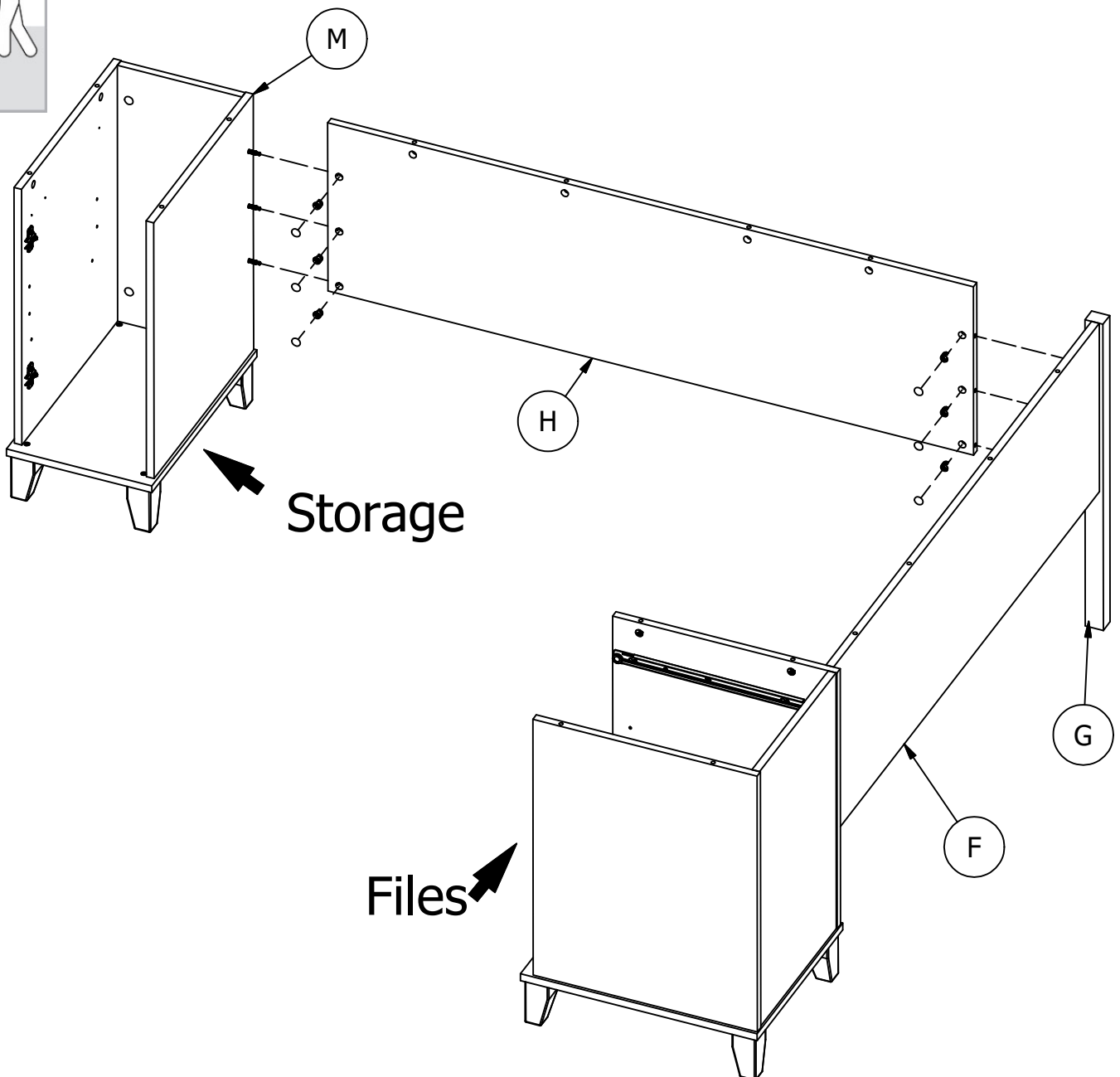


Cover Cap

[6]



Team Lift

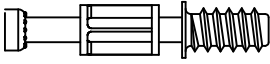


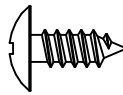
Have an assembly question or need a replacement part? Just call **1-800-950-4782**, we are here to help.

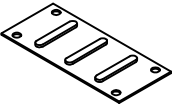
STEP 25

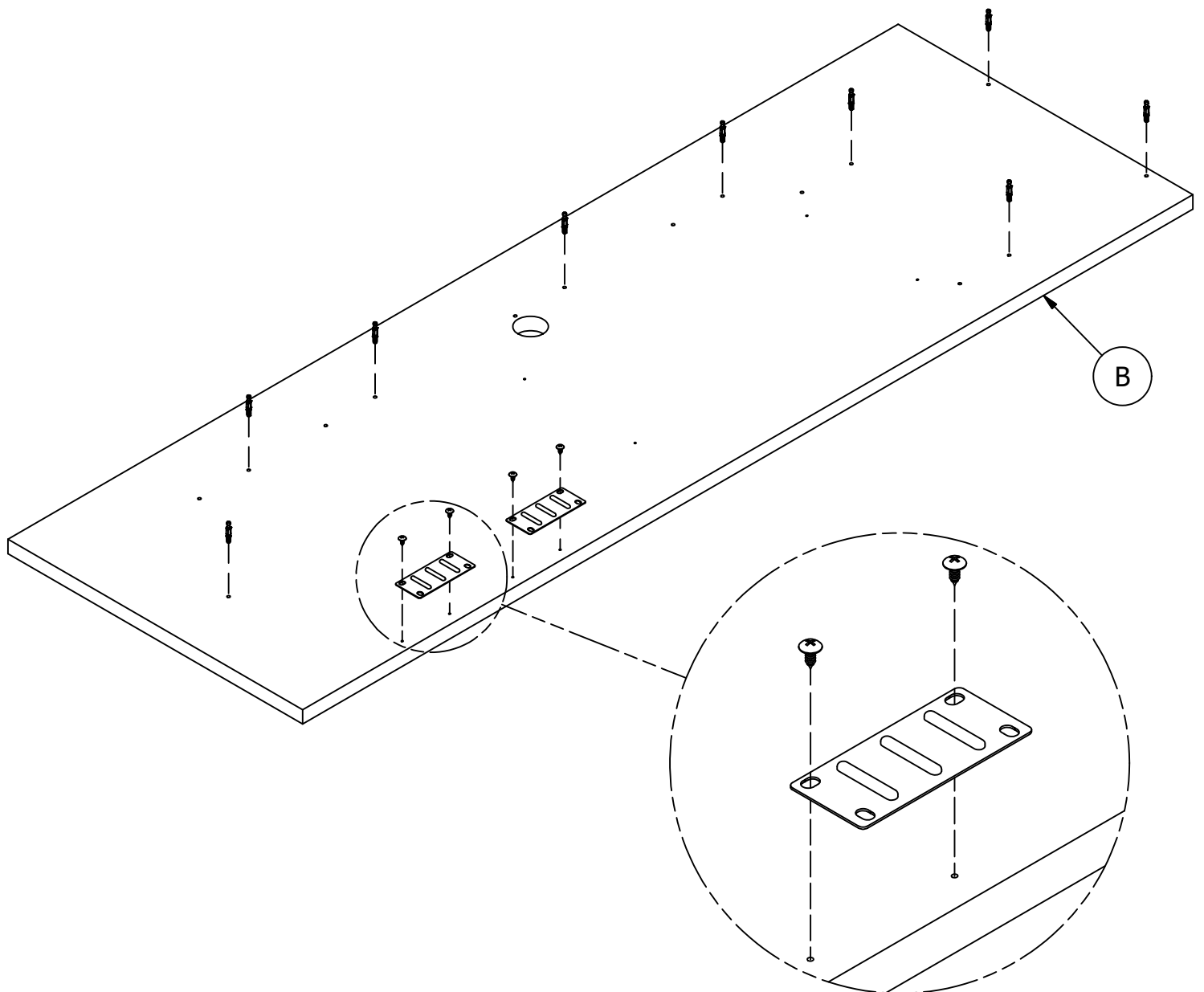
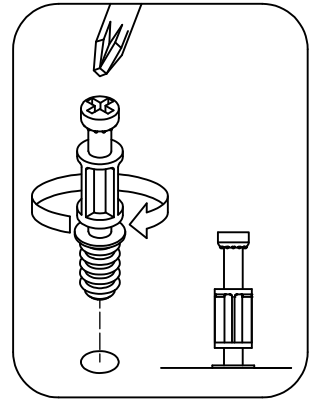
Prepare Panel

A186366H

H72988  [9]
KD Bolt

H35251  [4]
#10 x 1/2"

H39922  [2]
Strap

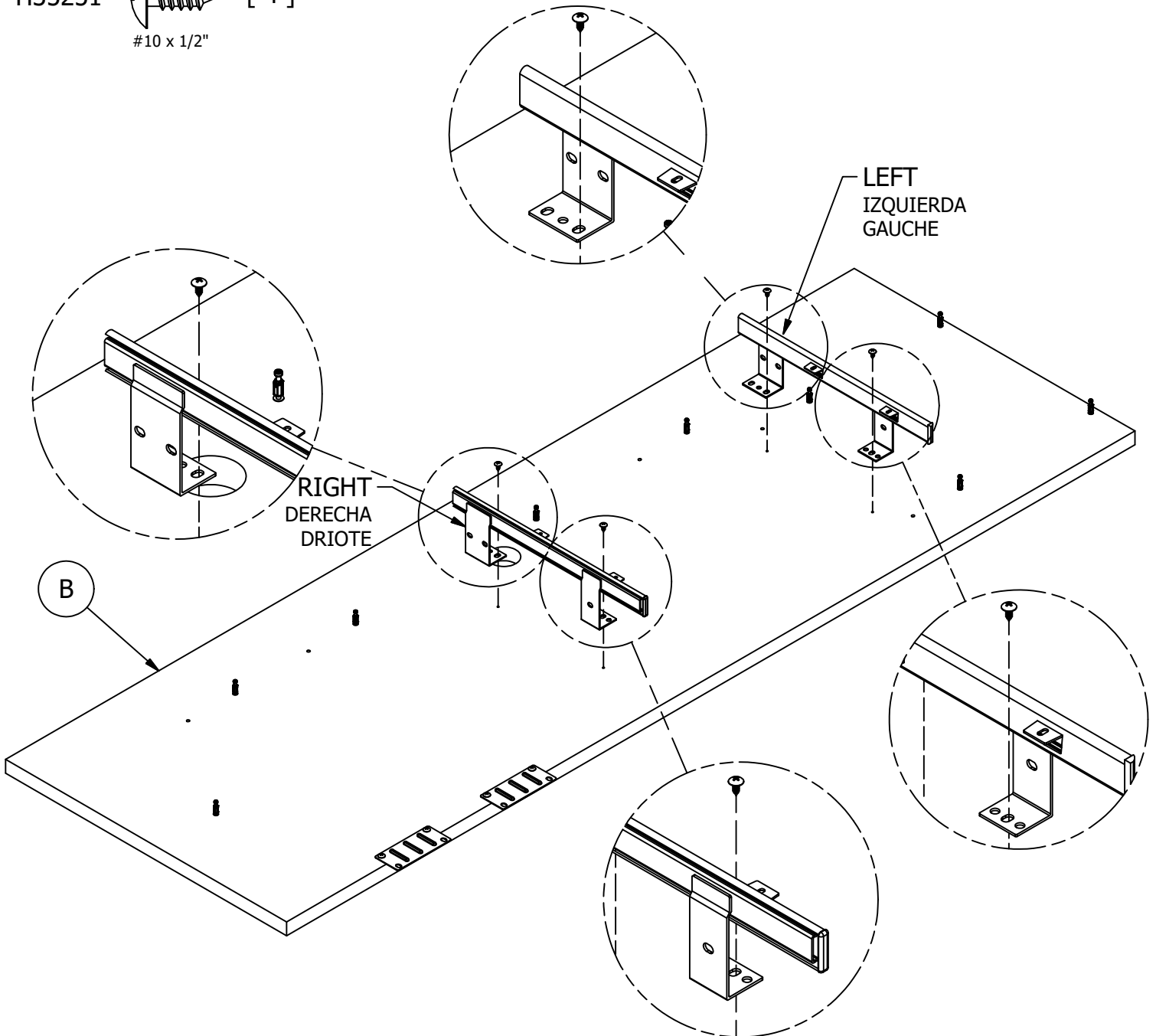
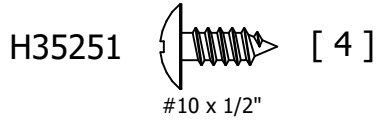
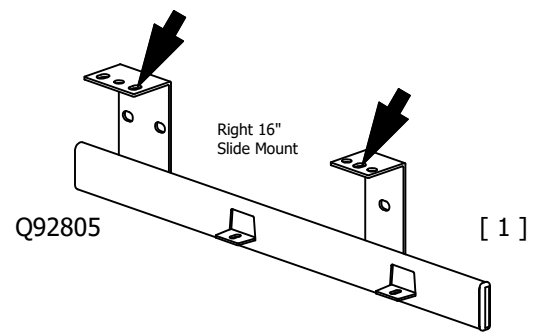
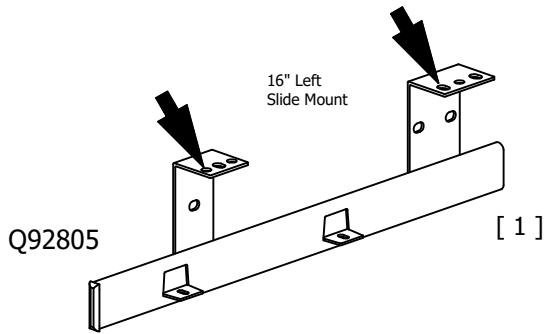


Have an assembly question or need a replacement part? Just call
1-800-950-4782, we are here to help.

STEP 26

Attach Hardware

A186366H



Have an assembly question or need a replacement part? Just call **1-800-950-4782**, we are here to help.

STEP 27

Attach Panel

A186366H

Scan QR Code to Watch Video on:



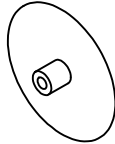
How to Tighten KD Cams

H181468US



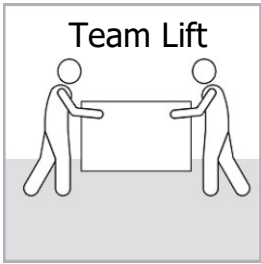
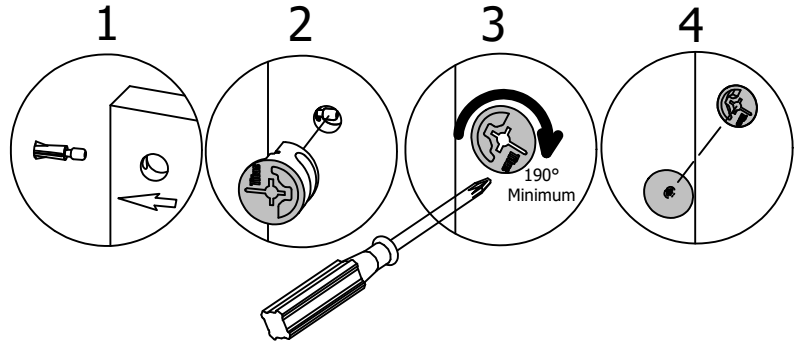
KD Cam3000

[9]

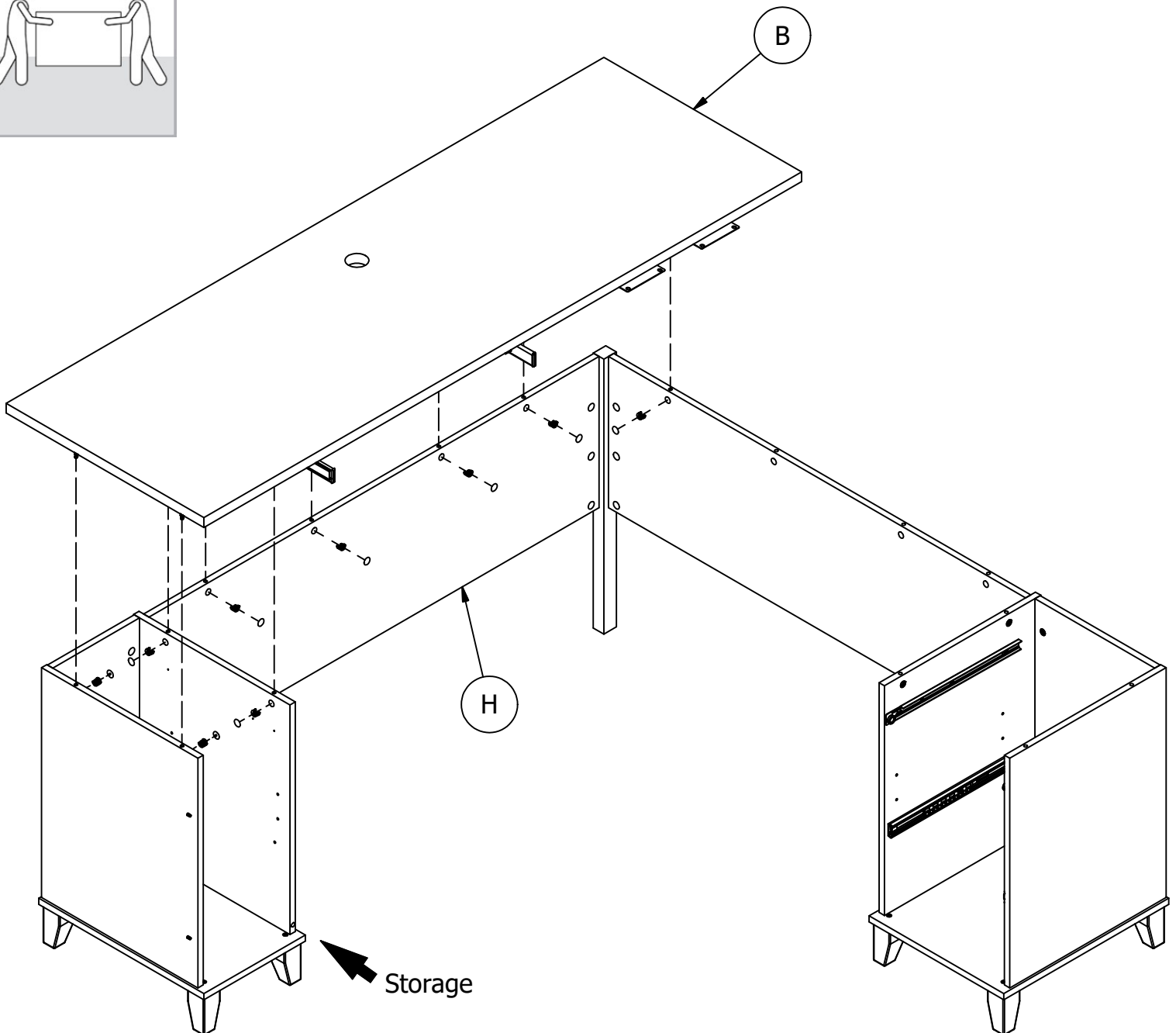


Cover Cap

[9]



Team Lift



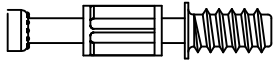
Have an assembly question or need a replacement part? Just call **1-800-950-4782**, we are here to help.

STEP 28

Prepare Panel

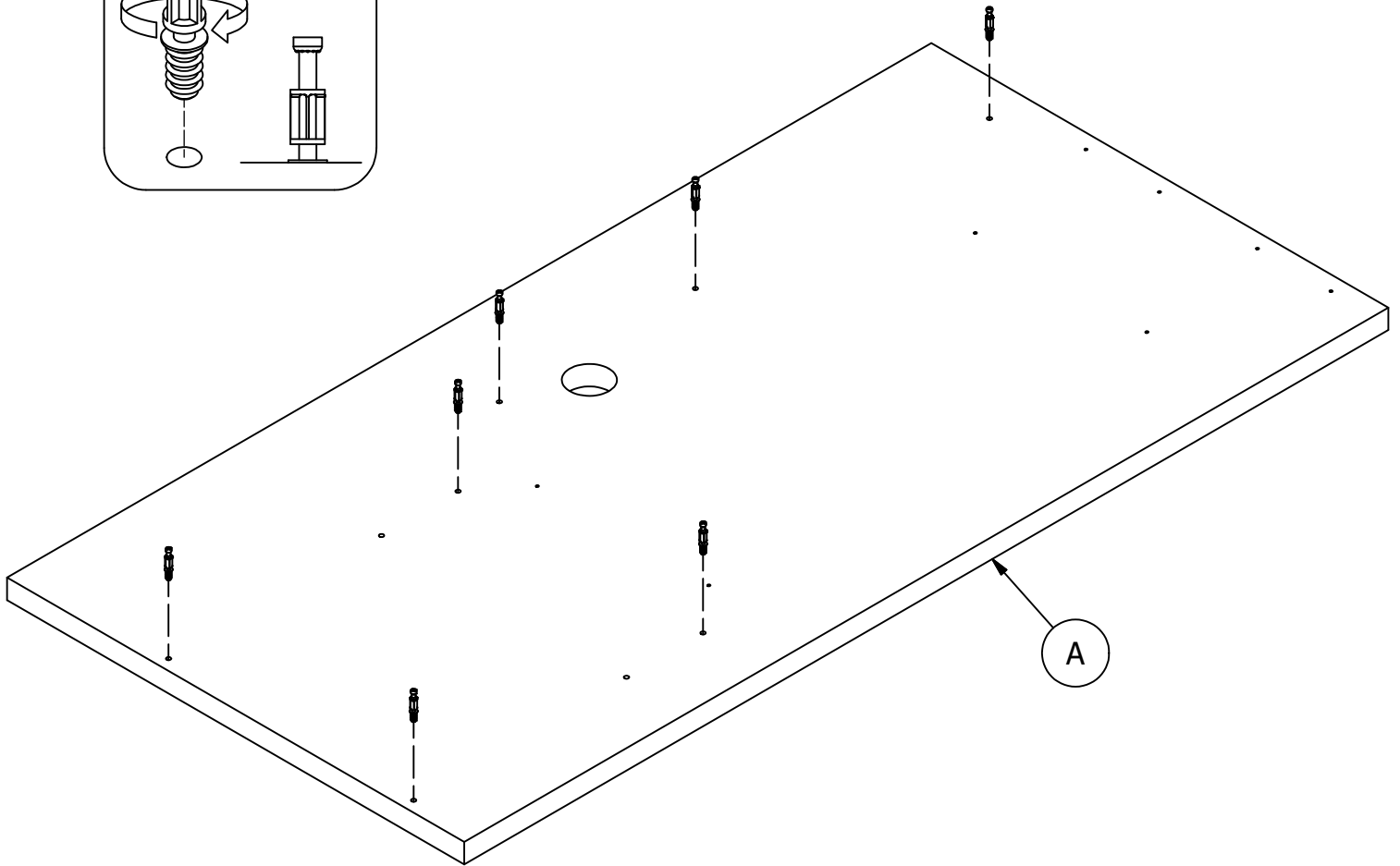
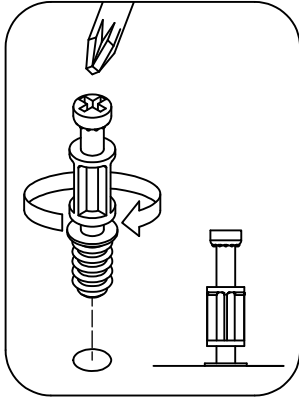
A186366H

H72988



[7]

KD Bolt



Have an assembly question or need a replacement part? Just call
1-800-950-4782, we are here to help.

STEP 29

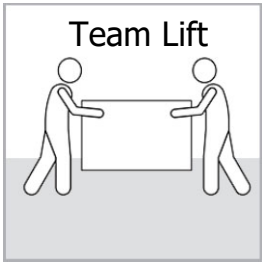
Attach Panel

A186366H

Scan QR Code to Watch Video on:



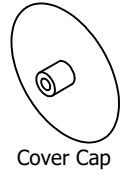
How to Tighten KD Cams



H181468US

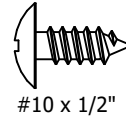


[7]

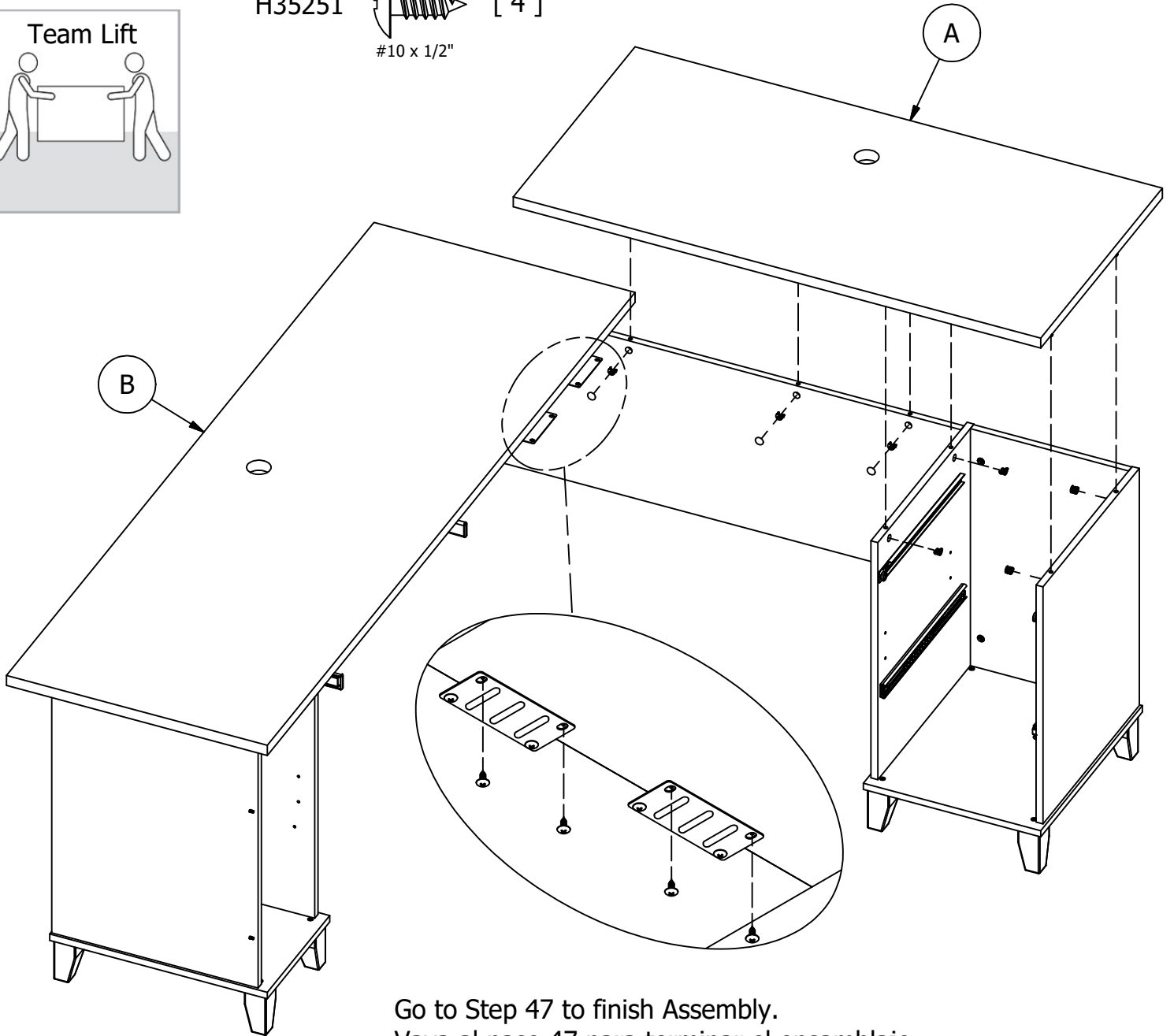
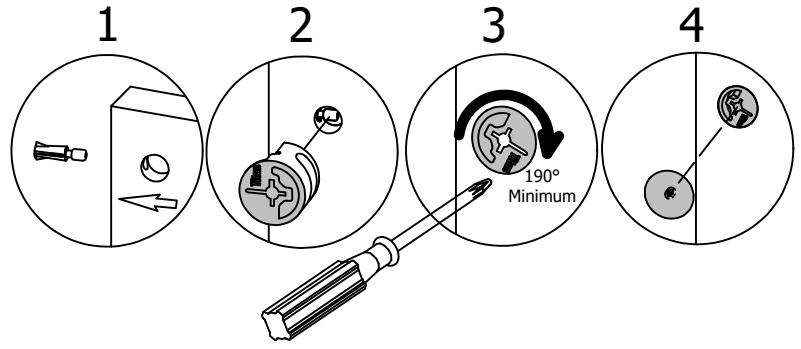


[3]

H35251



[4]



Go to Step 47 to finish Assembly.
Vaya al paso 47 para terminar el ensamblaje.
Passez à l'étape 47 pour terminer l'assemblage.

Have an assembly question or need a replacement part? Just call **1-800-950-4782**, we are here to help.

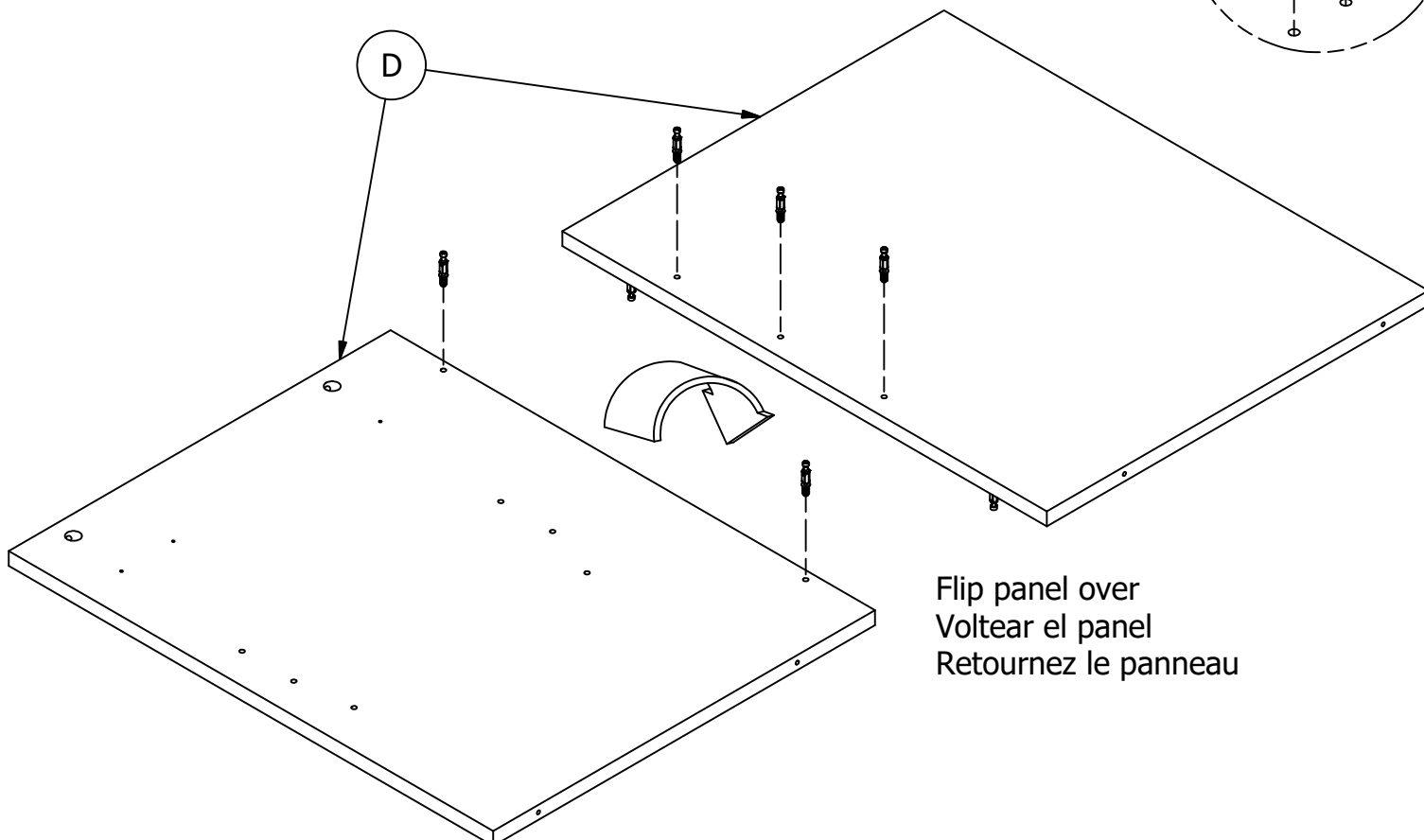
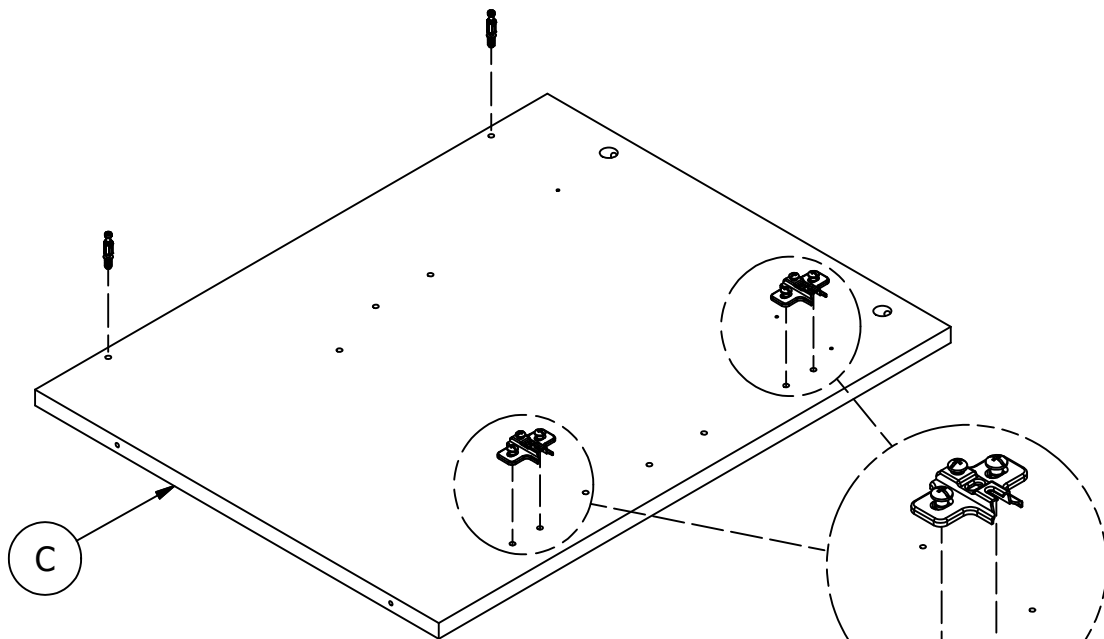
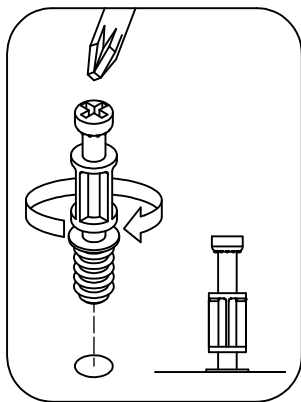
STEP 30

Prepare Panels

A186366H

H72988 [7]
KD Bolt

H126364 [2]
Mounting Plate



Flip panel over
Voltear el panel
Retournez le panneau

Have an assembly question or need a replacement part? Just call
1-800-950-4782, we are here to help.

STEP 31

Assemble Panels

A186366H

Scan QR Code to Watch Video on:



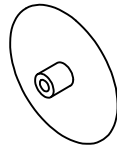
How to Tighten KD Cams

H181468US



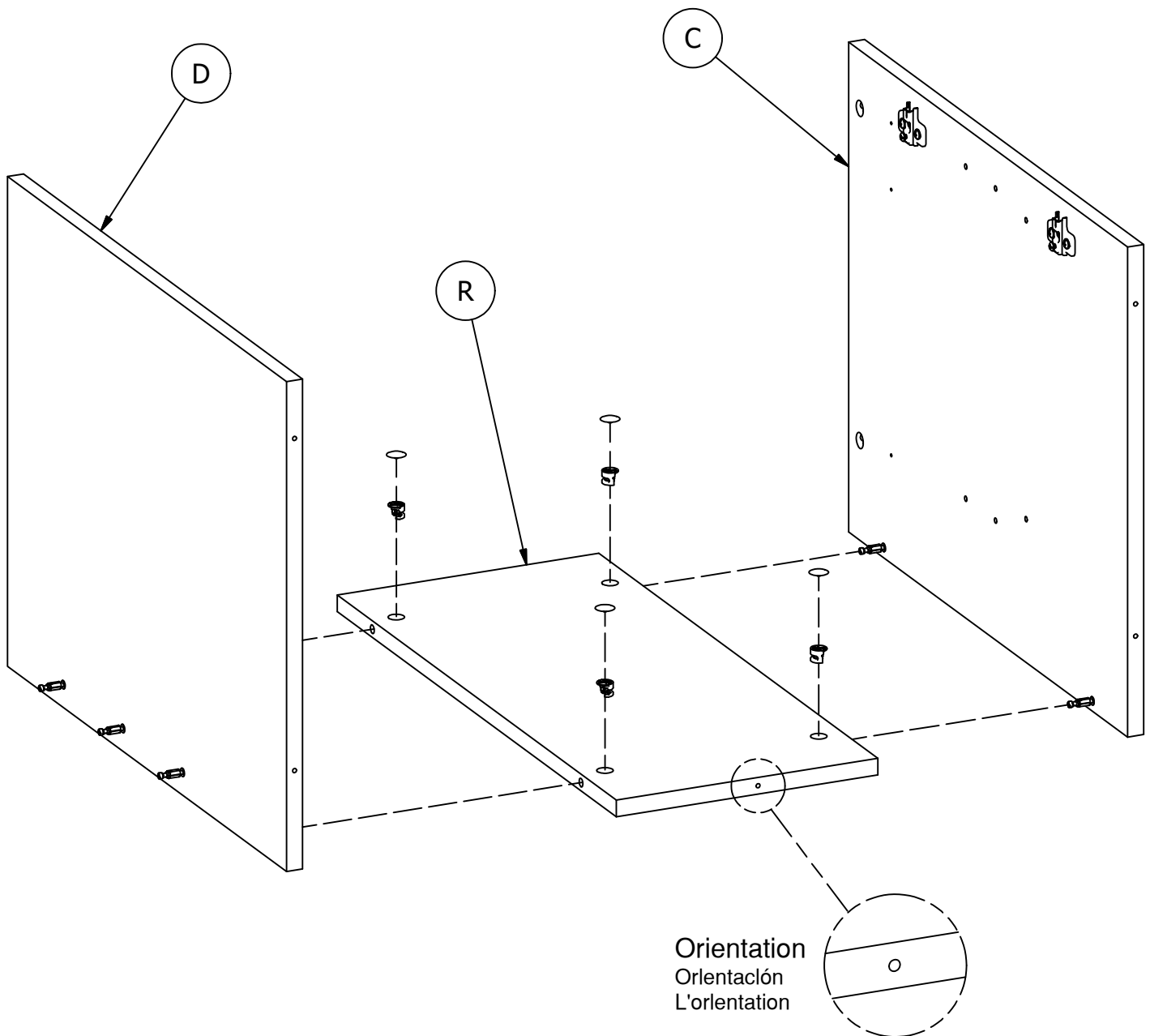
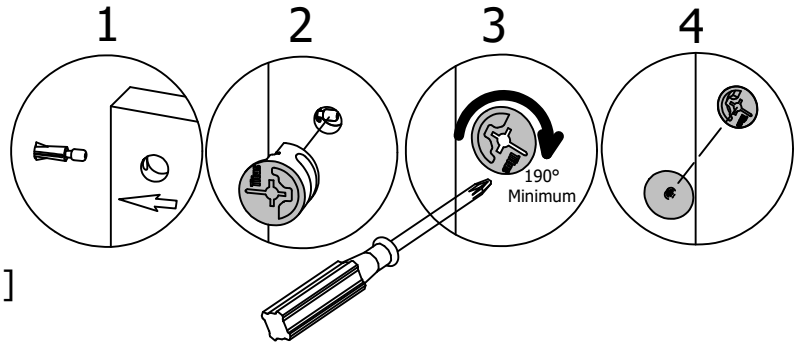
KD Cam3000

[4]

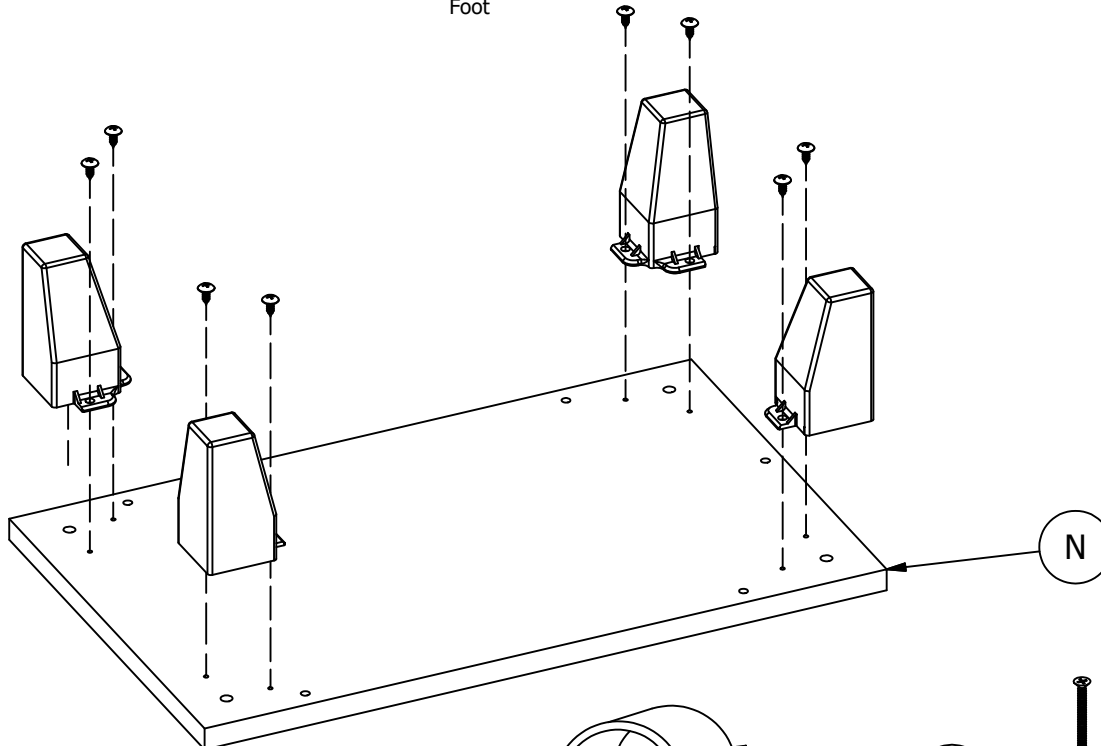
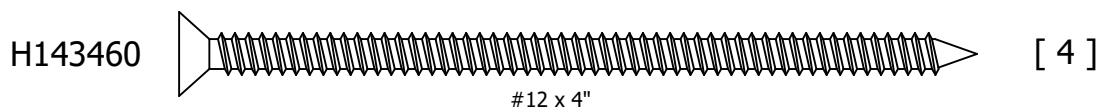


Cover Cap

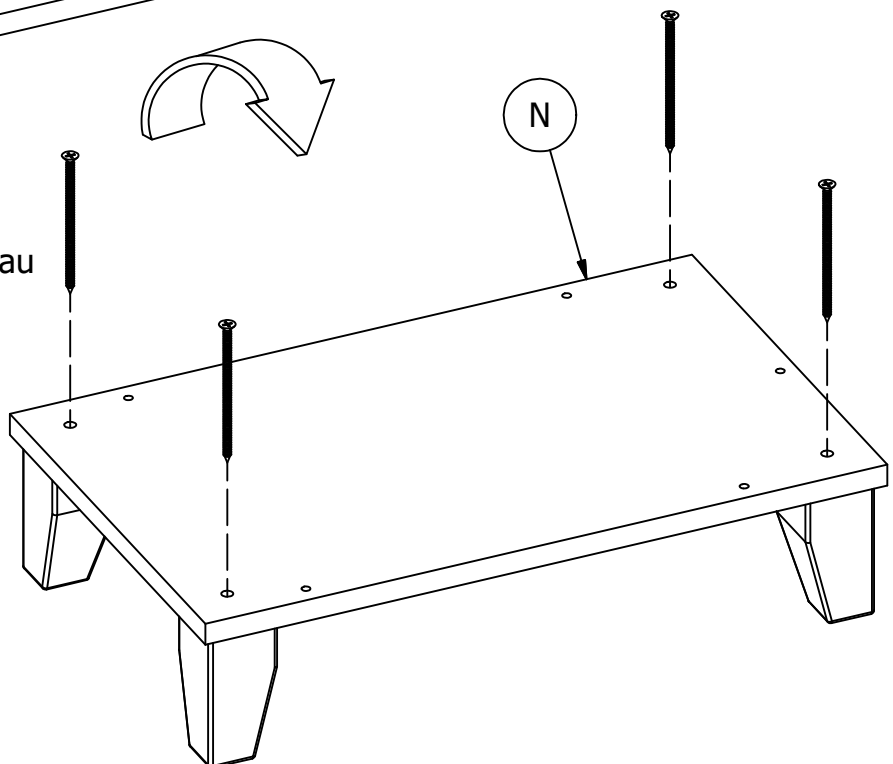
[4]



Have an assembly question or need a replacement part? Just call **1-800-950-4782**, we are here to help.

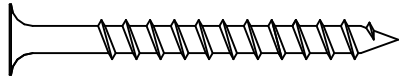


Flip panel over
Voltear el panel
Retournez le panneau



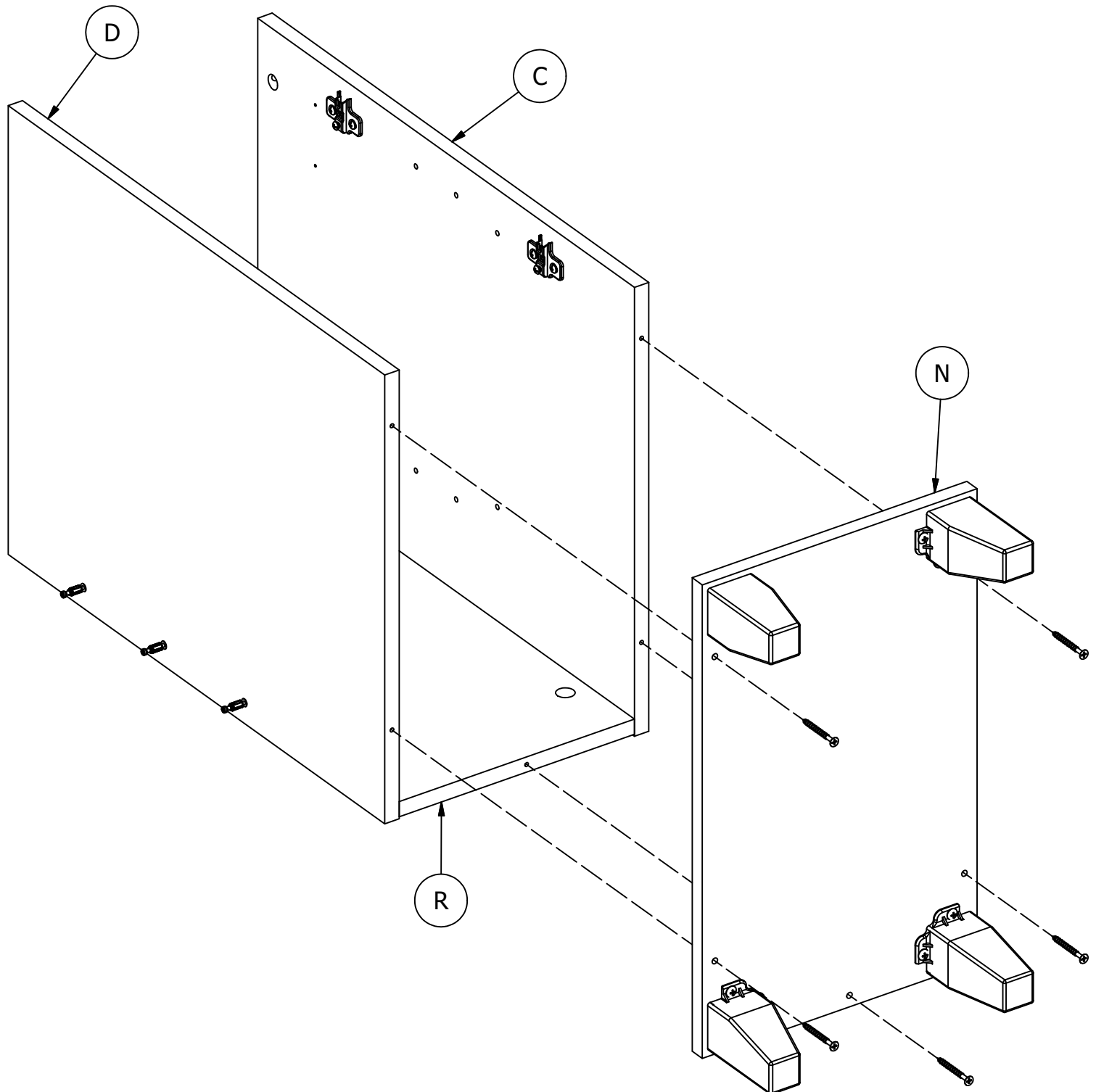
Have an assembly question or need a replacement part? Just call
1-800-950-4782, we are here to help.

H23491



[5]

#10 x 2"



Have an assembly question or need a replacement part? Just call
1-800-950-4782, we are here to help.

STEP 34

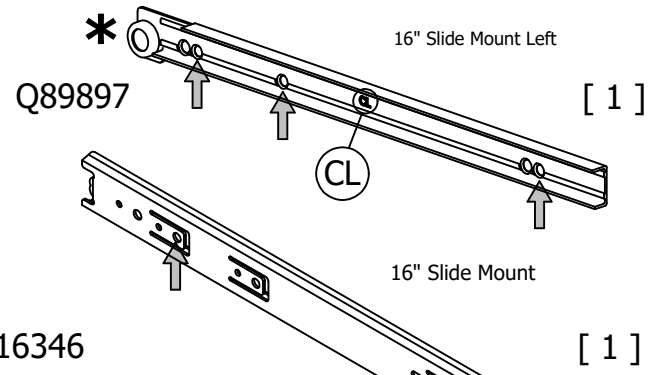
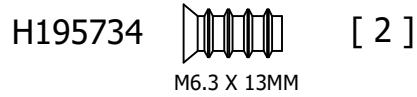
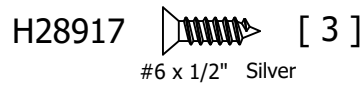
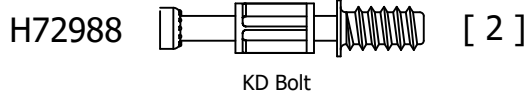
Prepare Panel

A186366H

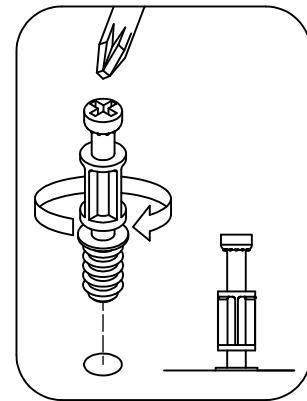
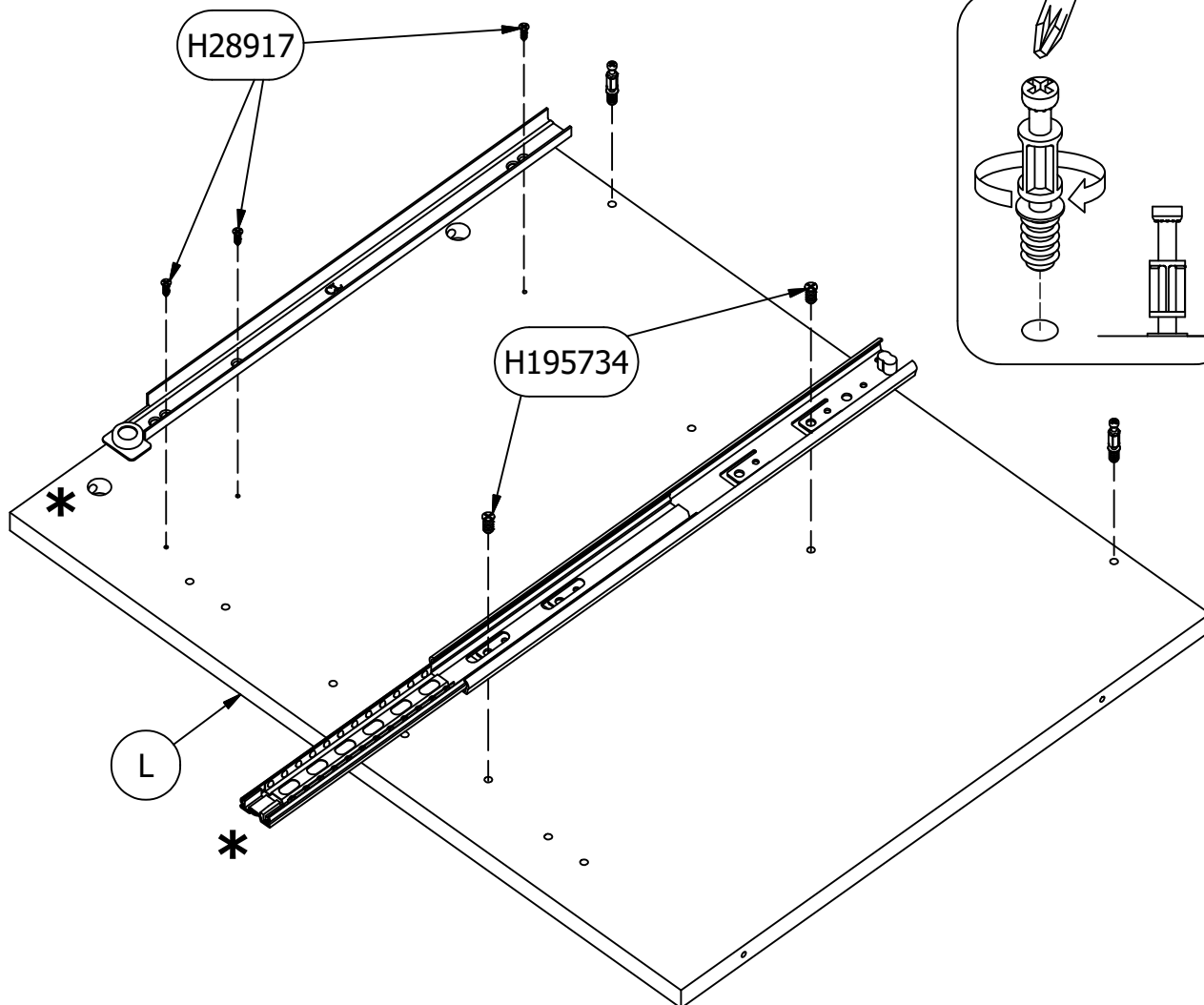
Scan QR Code to Watch Video on:



How to Separate and Install Drawer Slides



Orientation
Orientación
L'orientation



Have an assembly question or need a replacement part? Just call **1-800-950-4782**, we are here to help.

STEP 35

Prepare Panel

A186366H

Scan QR Code to Watch Video on:

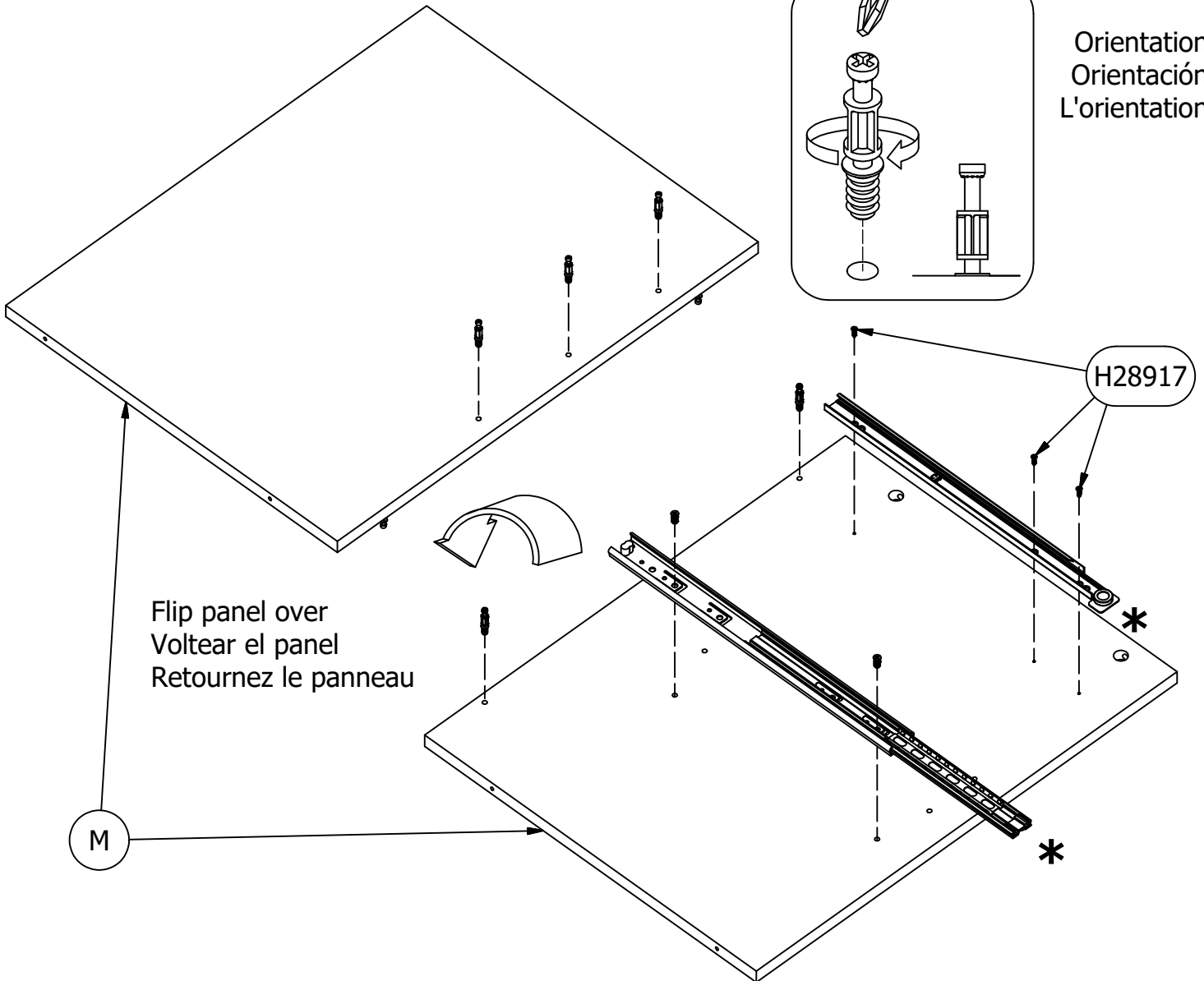
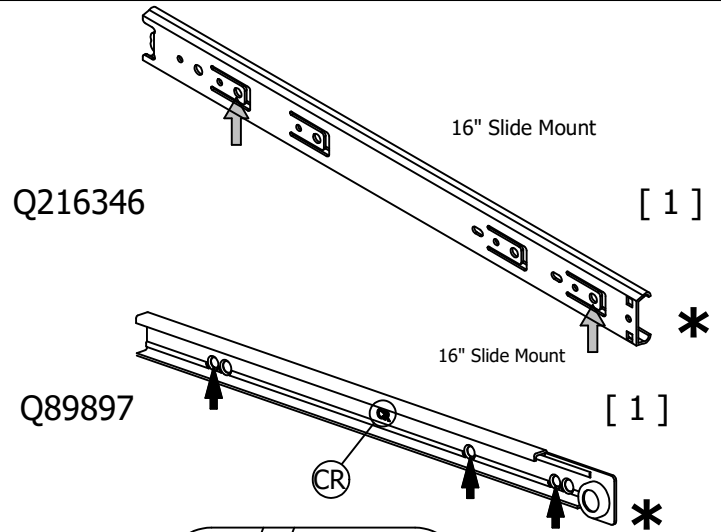


How to Separate and Install Drawer Slides

H28917 [3]
#6 x 1/2" Silver

H195734 [2]
M6.3 X 13MM

H72988 [5]
KD Bolt



Have an assembly question or need a replacement part? Just call **1-800-950-4782**, we are here to help.

Scan QR Code to Watch Video on:

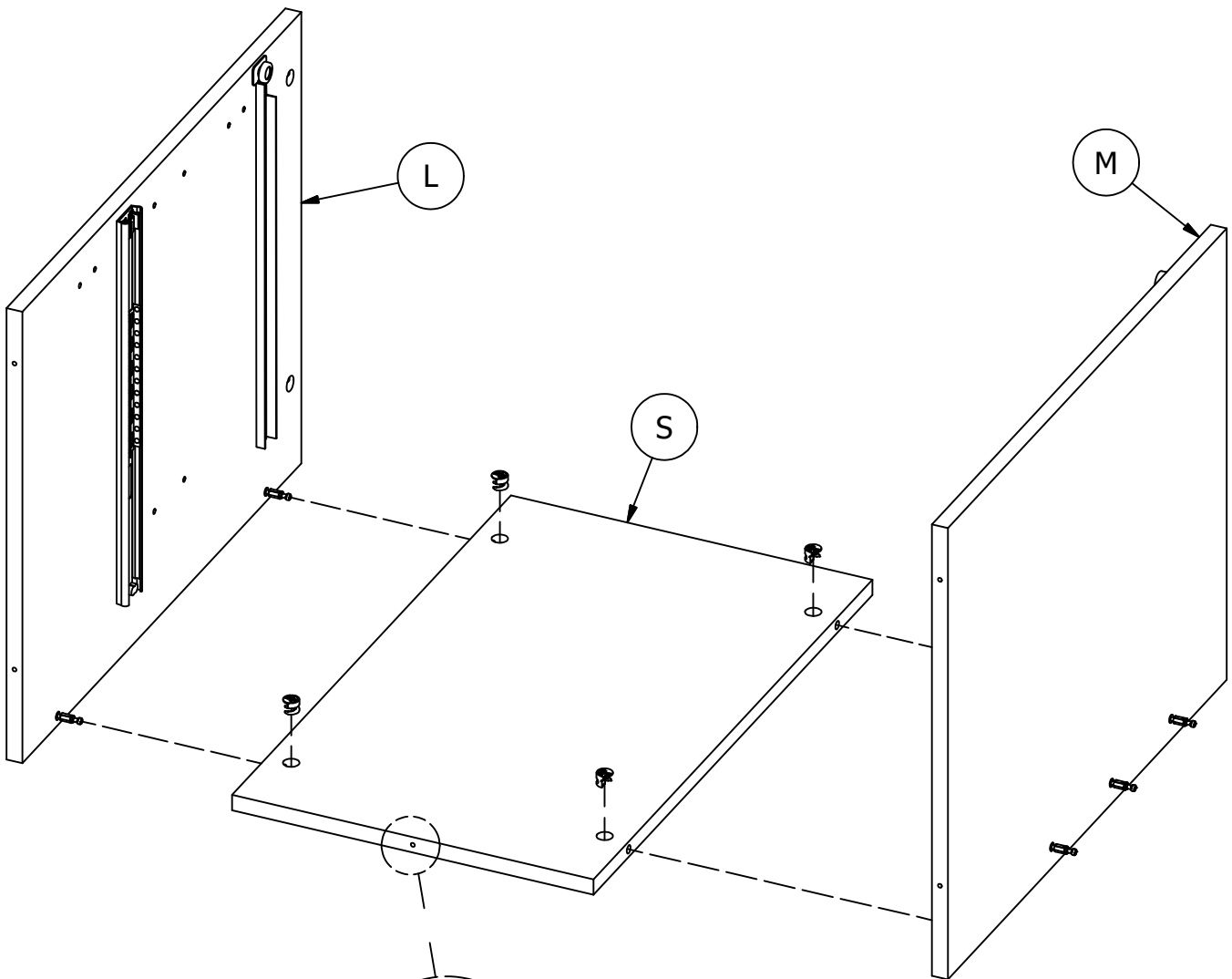
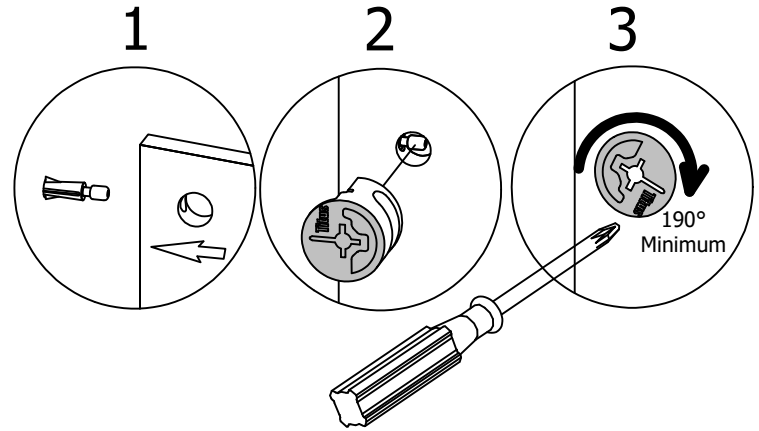


How to Tighten KD Cams

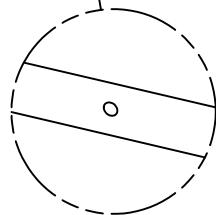
H181468US



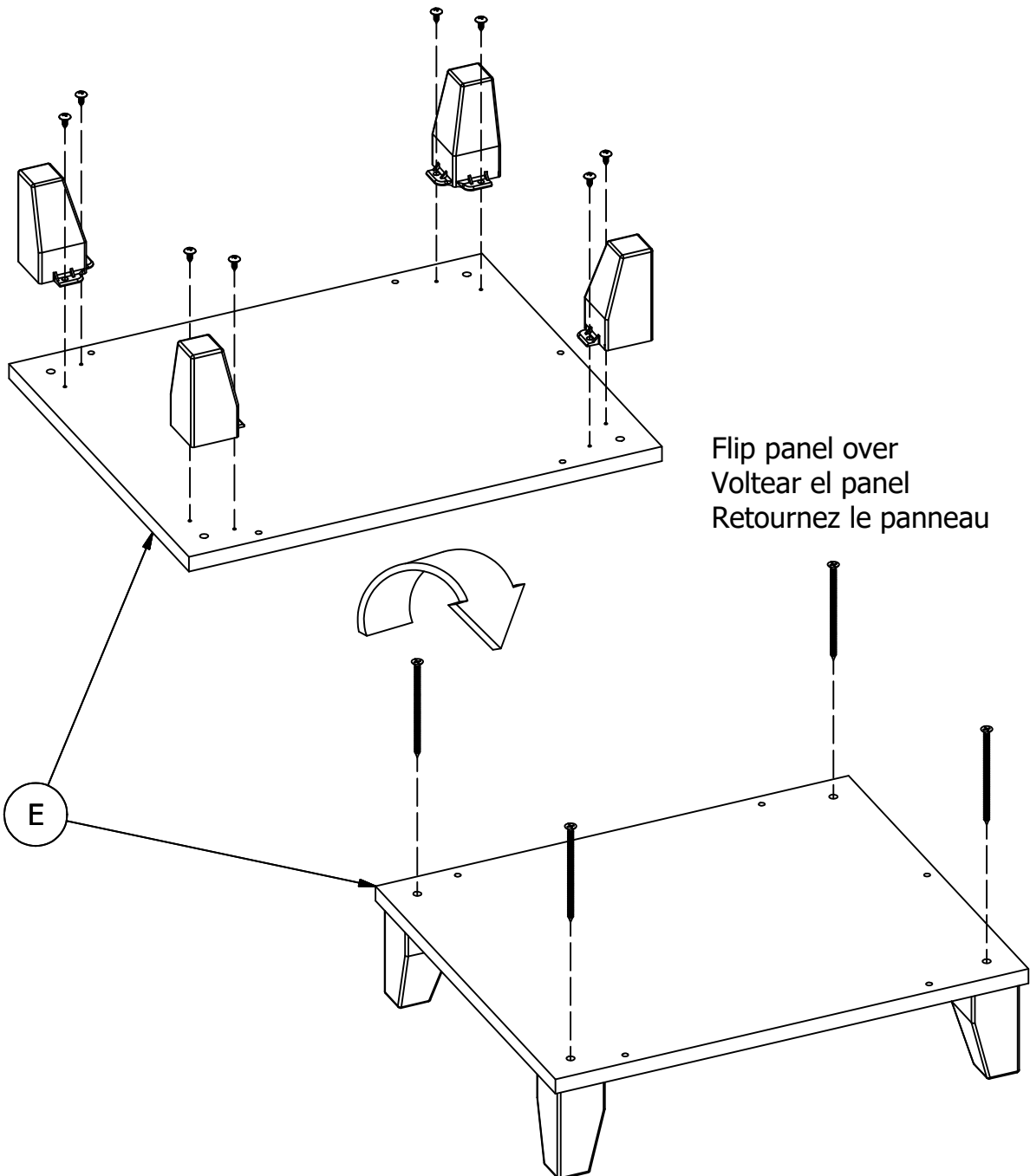
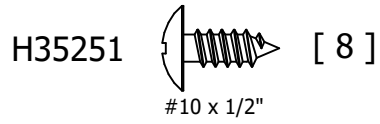
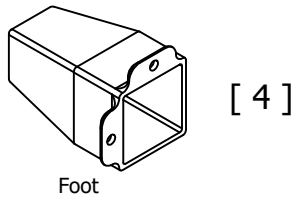
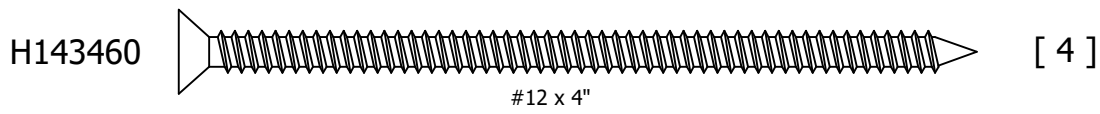
[4]



Orientation
Orientación
L'orientation



Have an assembly question or need a replacement part? Just call **1-800-950-4782**, we are here to help.



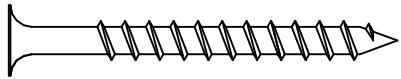
Have an assembly question or need a replacement part? Just call
1-800-950-4782, we are here to help.

STEP 38

Assemble Panels

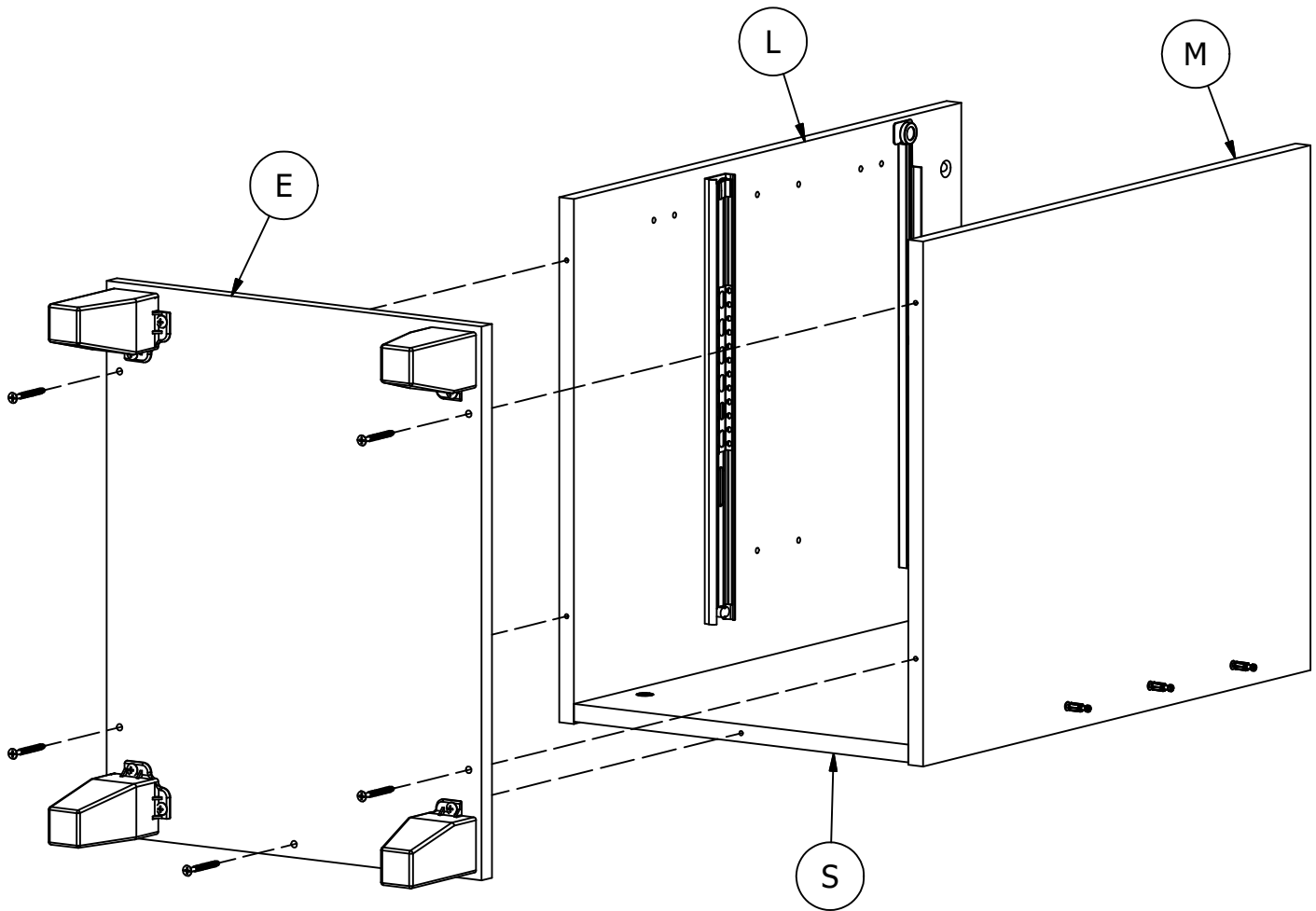
A186366H

H23491



[5]

#10 x 2"



Have an assembly question or need a replacement part? Just call
1-800-950-4782, we are here to help.

STEP 39

Assemble Panels

A186366H

Scan QR Code to Watch Video on:

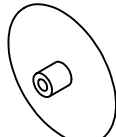


How to Tighten KD Cams

H181468US



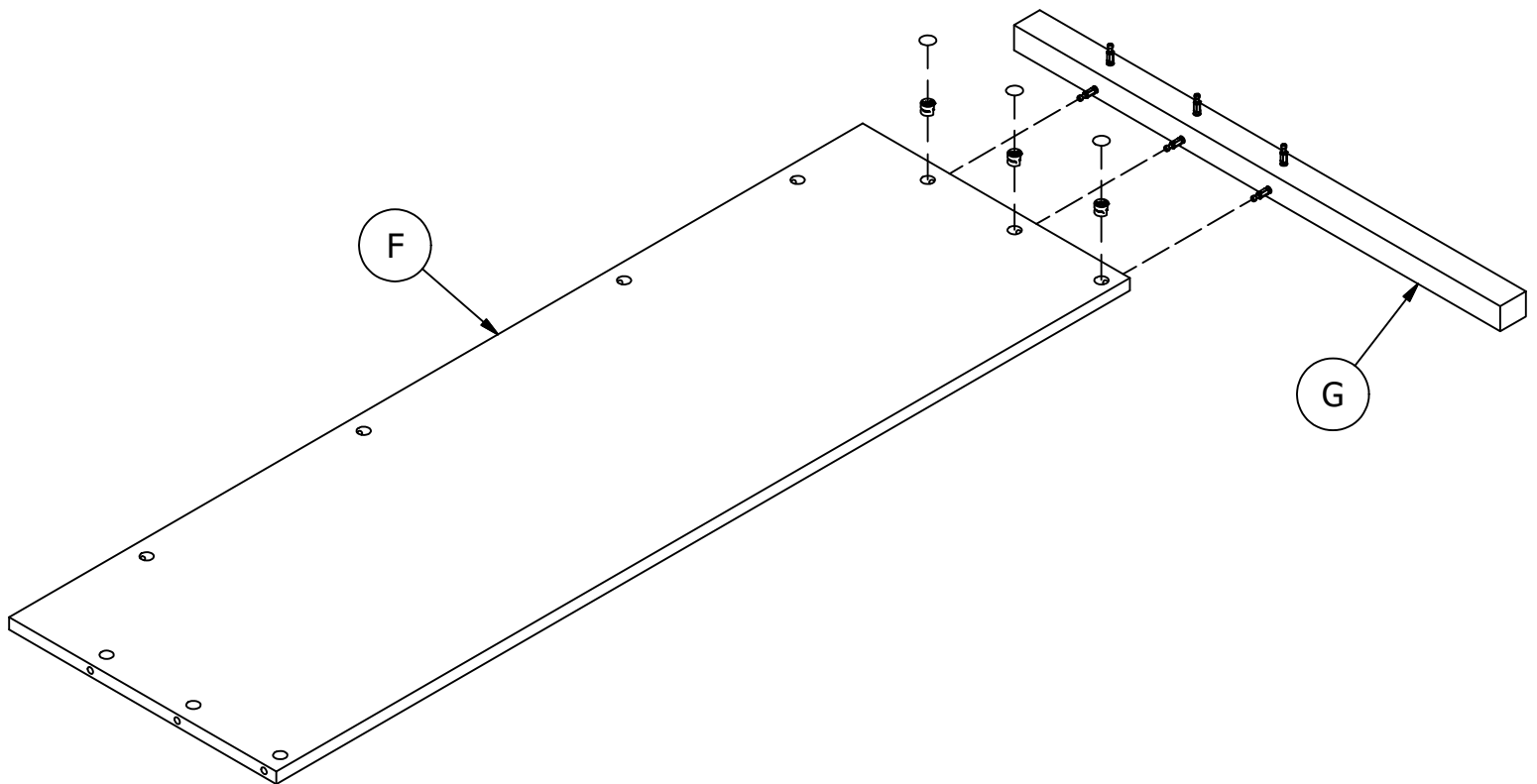
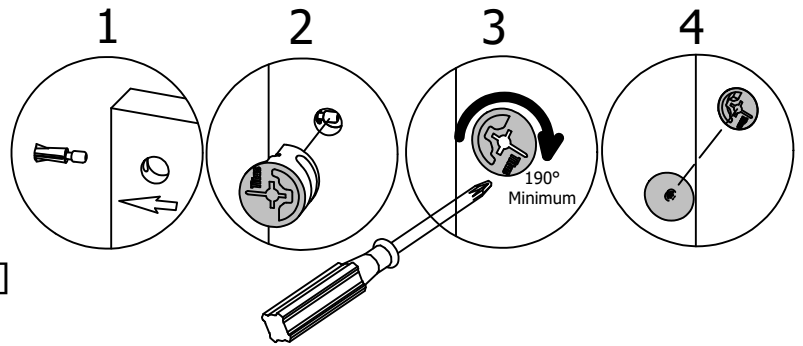
KD Cam3000



Cover Cap

[3]

[3]



Have an assembly question or need a replacement part? Just call **1-800-950-4782**, we are here to help.

STEP 40

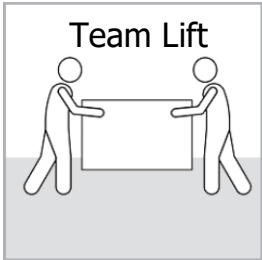
Assemble Panels

A186366H

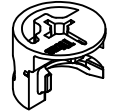
Scan QR Code to Watch Video on:



How to Tighten KD Cams

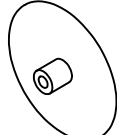


H181468US



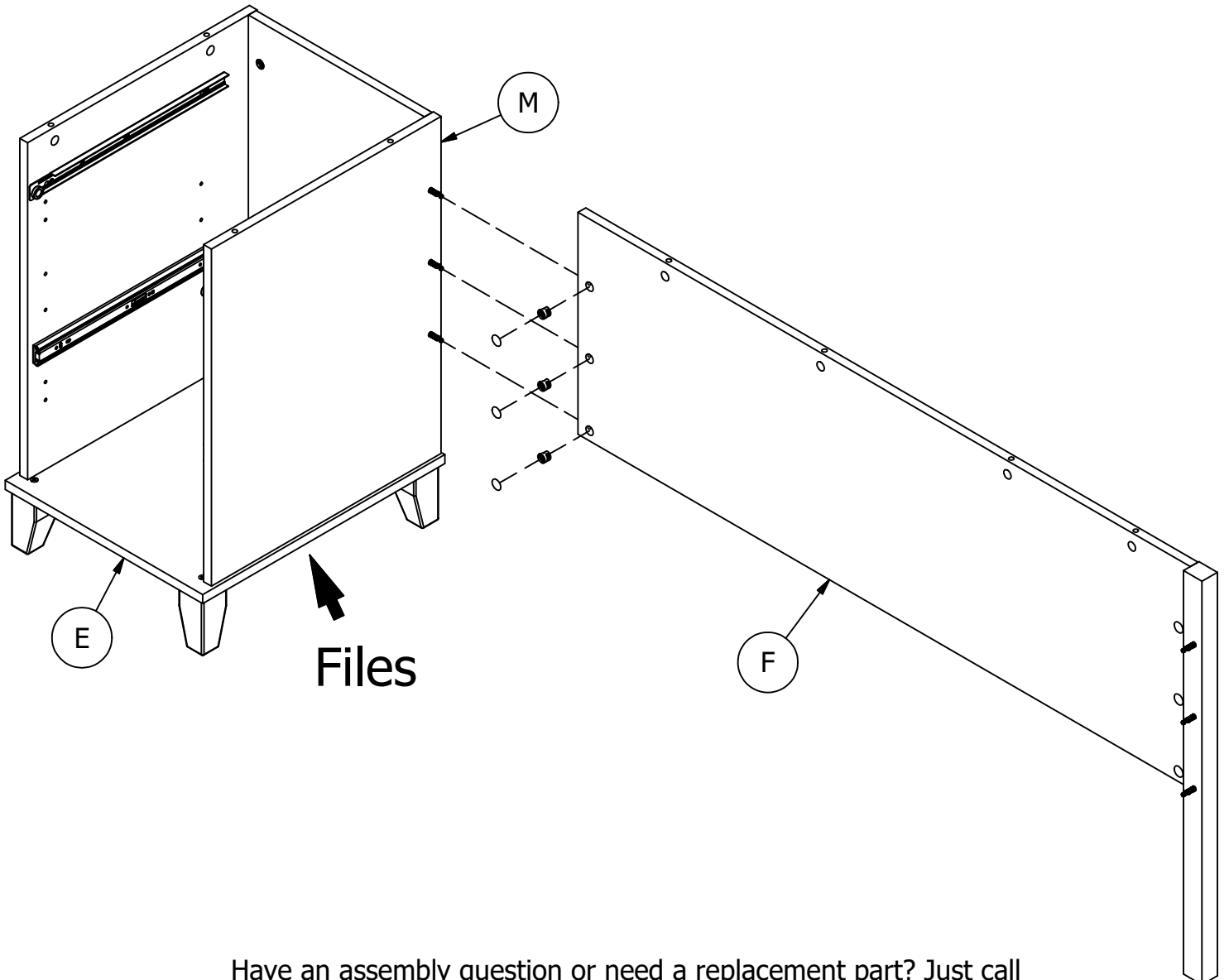
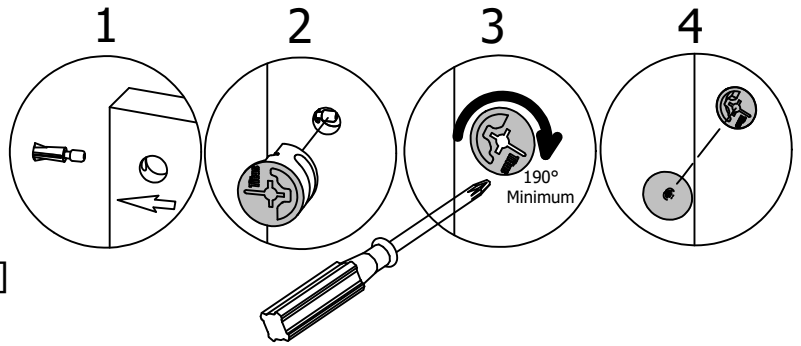
KD Cam3000

[3]



[3]

Cover Cap



Have an assembly question or need a replacement part? Just call **1-800-950-4782**, we are here to help.

STEP 41

Assemble Panels

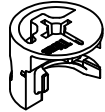
A186366H

Scan QR Code to Watch Video on:

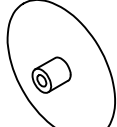


How to Tighten KD Cams

H181468US



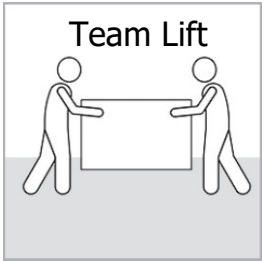
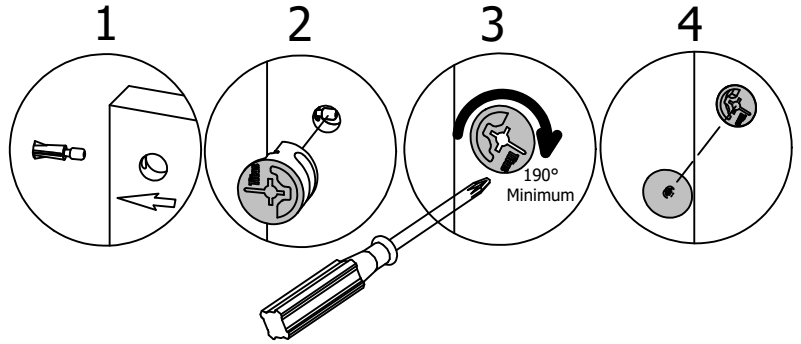
KD Cam3000



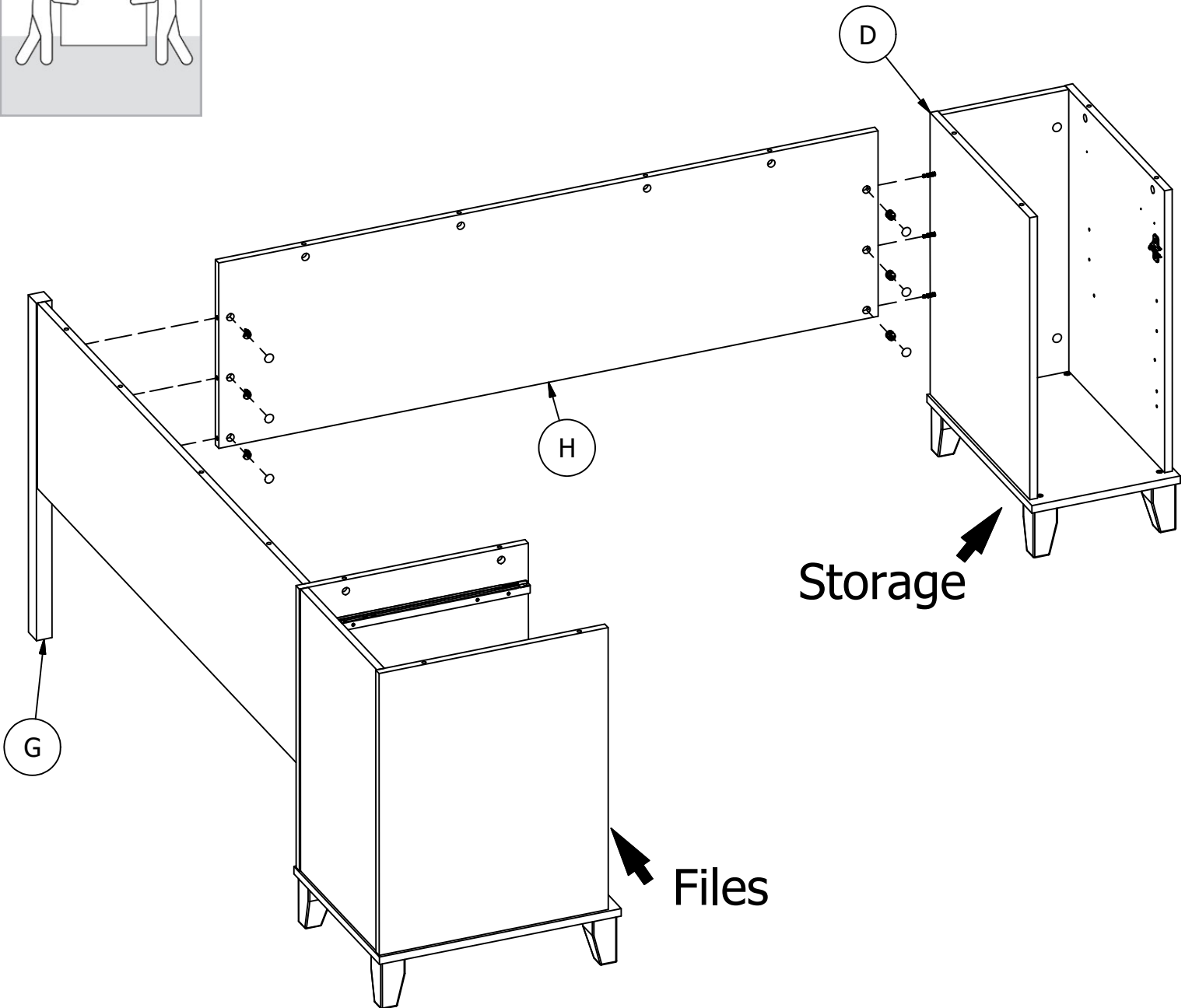
Cover Cap

[6]

[6]



Team Lift



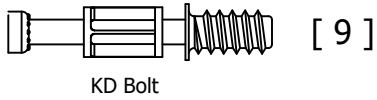
Have an assembly question or need a replacement part? Just call **1-800-950-4782**, we are here to help.

STEP 42

Prepare Panel

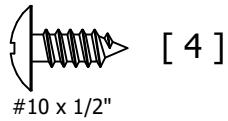
A186366H

H72988



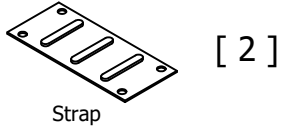
KD Bolt

H35251

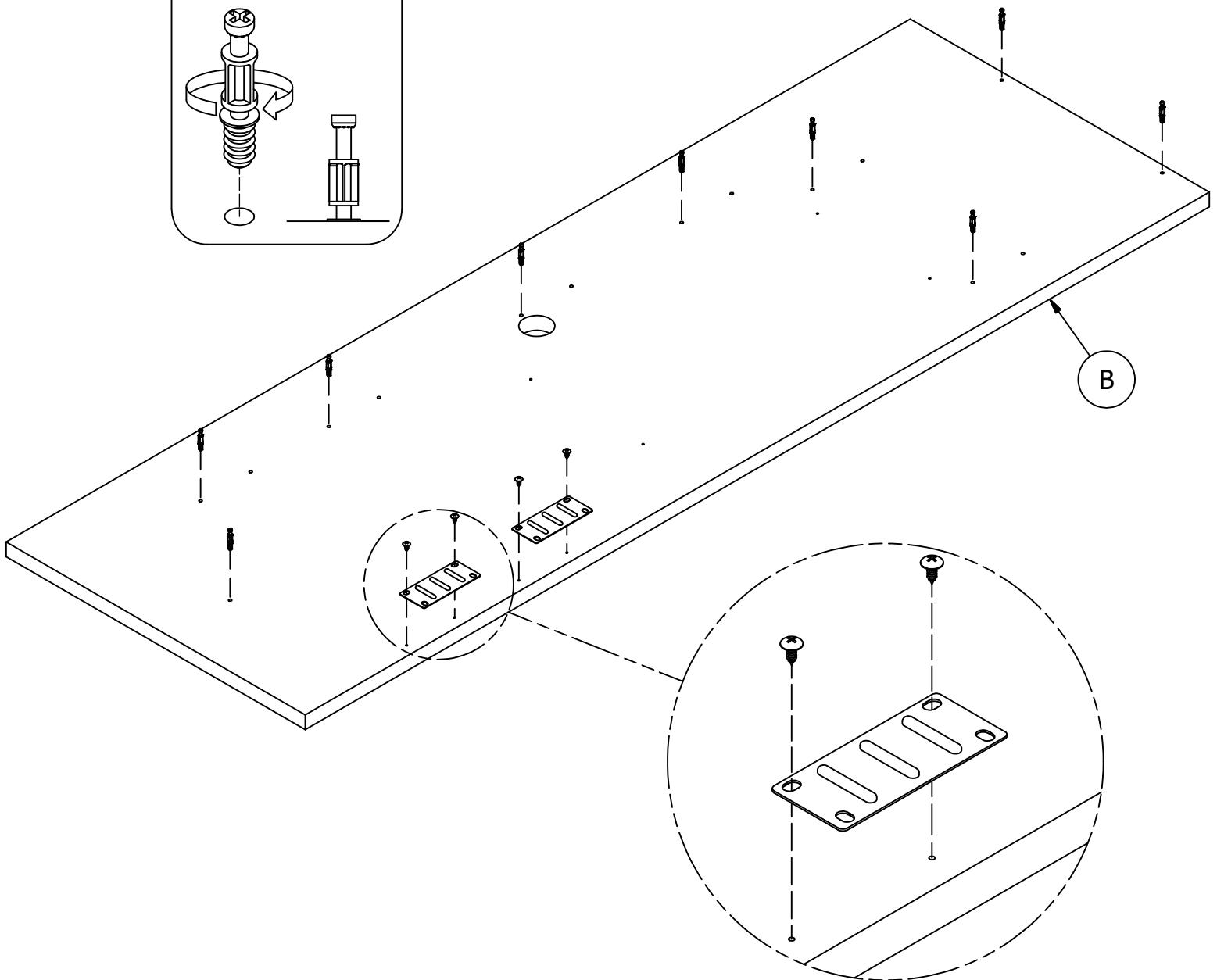
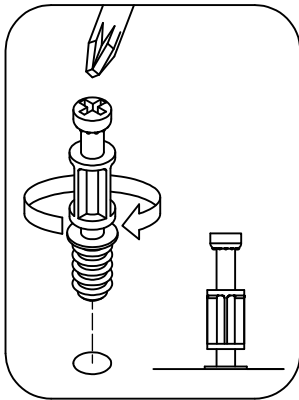


#10 x 1/2"

H39922



Strap



Have an assembly question or need a replacement part? Just call
1-800-950-4782, we are here to help.

STEP 43

Attach Panel

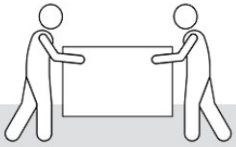
A186366H

Scan QR Code to Watch Video on:



How to Tighten KD Cams

Team Lift

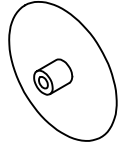


H181468US



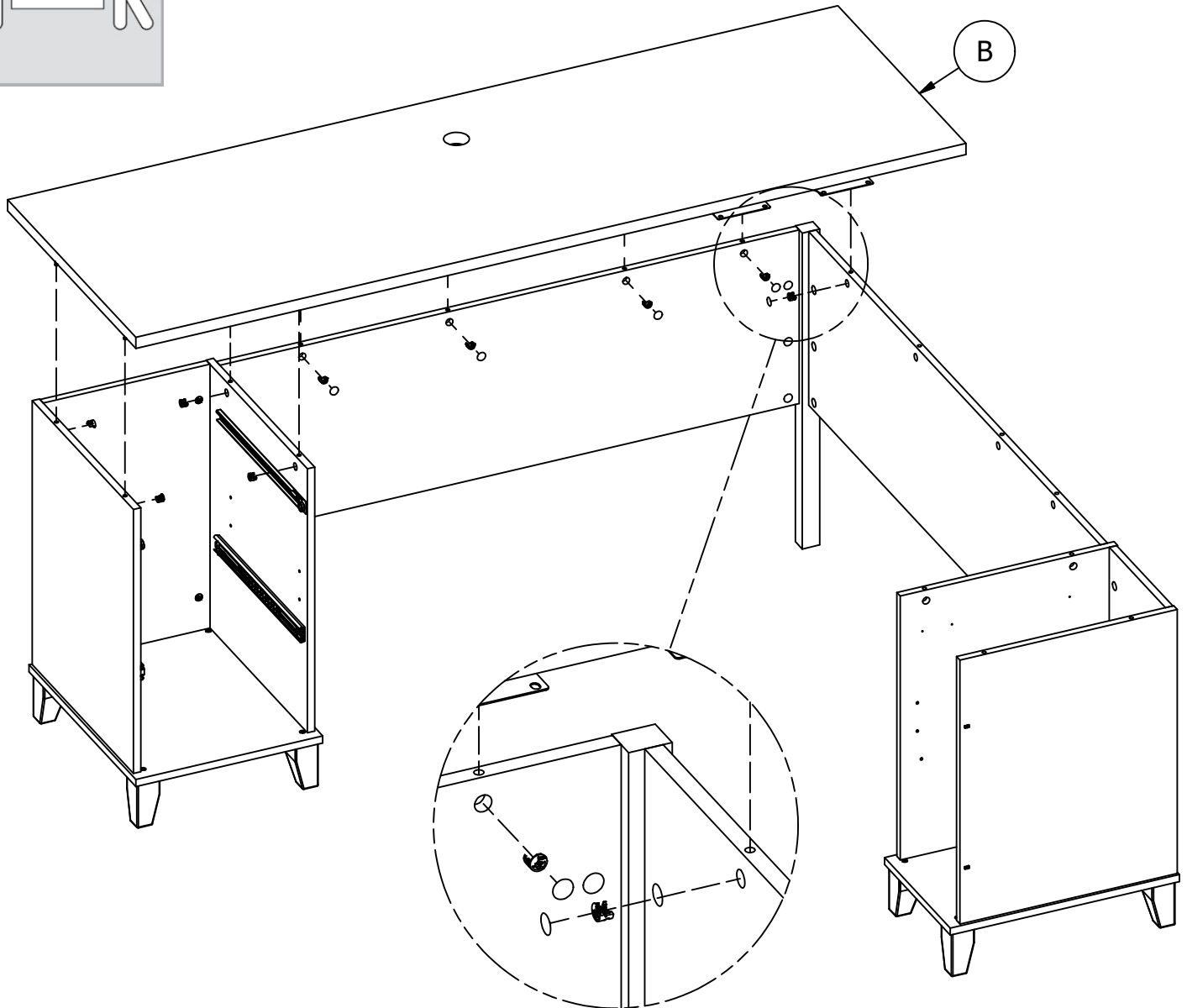
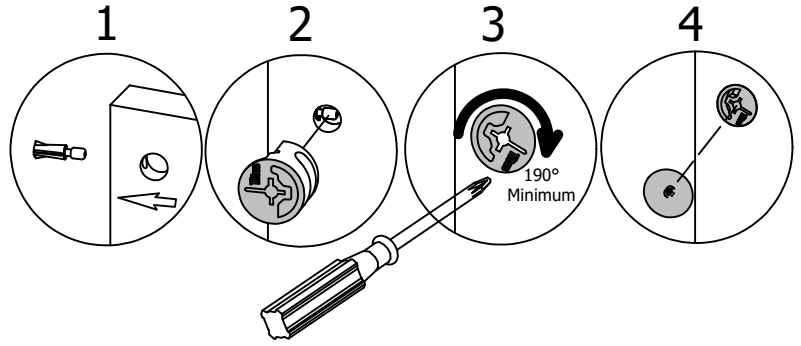
KD Cam3000

[9]



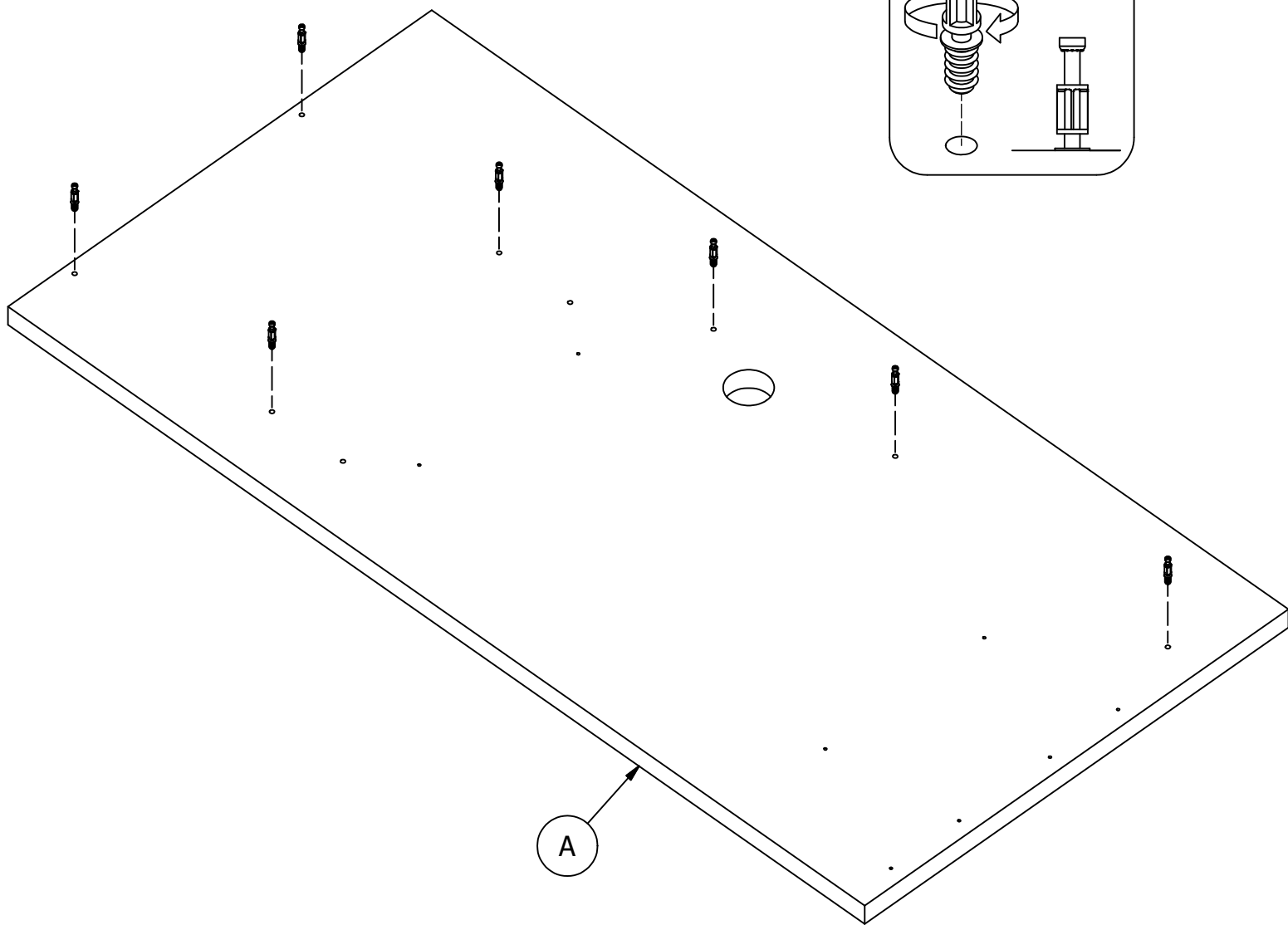
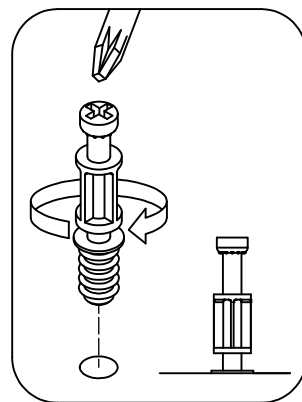
Cover Cap

[5]



Have an assembly question or need a replacement part? Just call **1-800-950-4782**, we are here to help.

H72988 [7]
KD Bolt

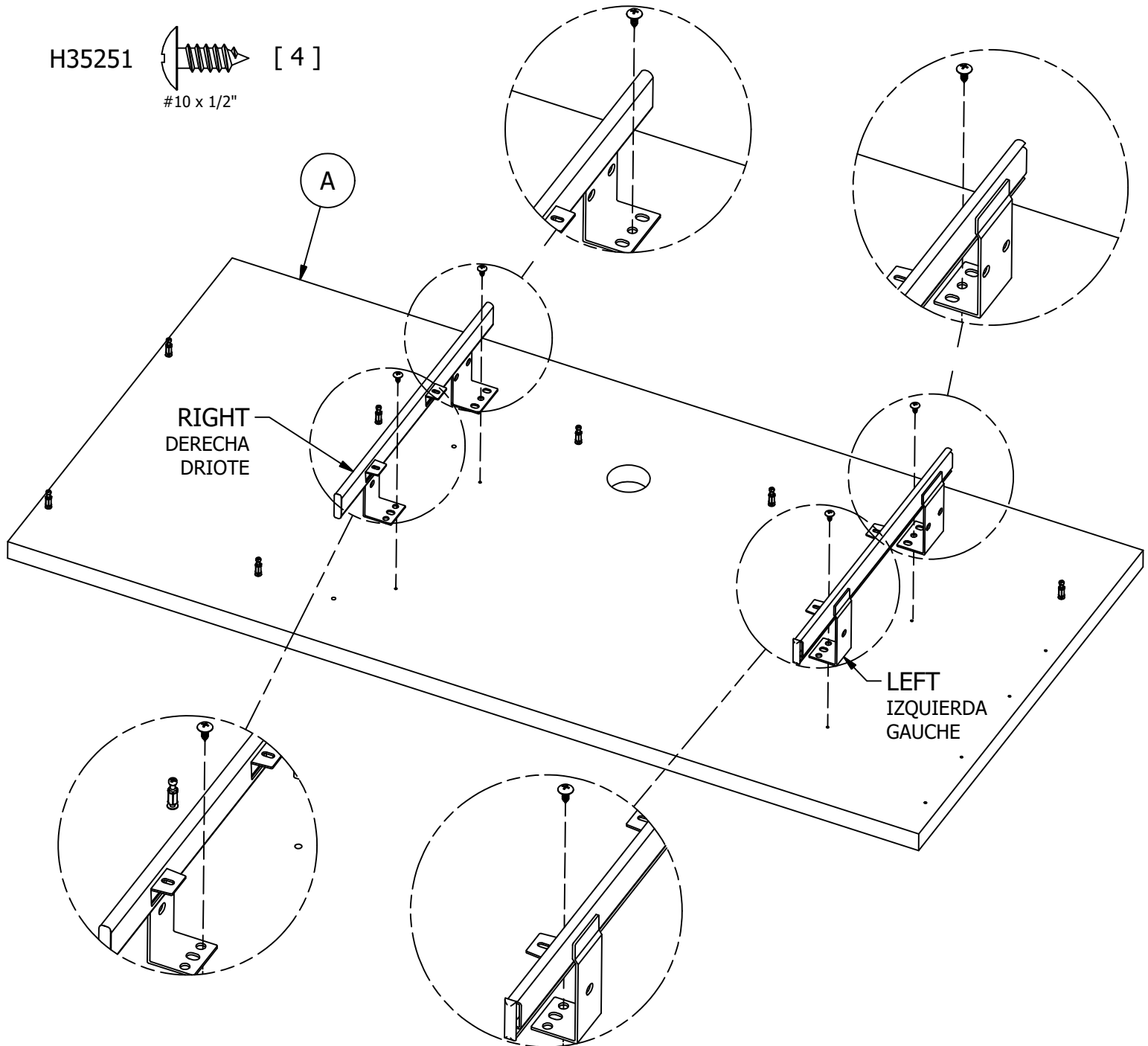
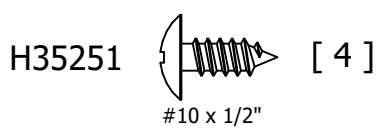
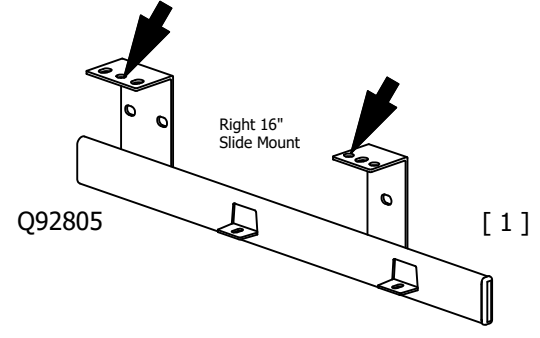
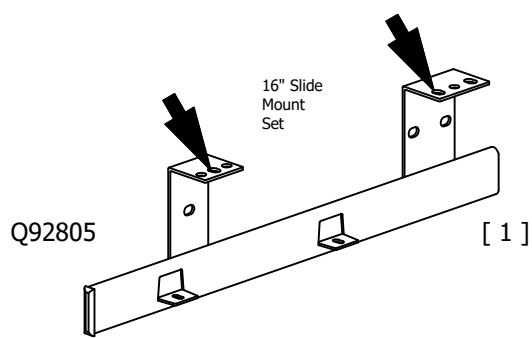


Have an assembly question or need a replacement part? Just call
1-800-950-4782, we are here to help.

STEP 45

Attach Hardware

A186366H



Have an assembly question or need a replacement part? Just call **1-800-950-4782**, we are here to help.

STEP 46

Assemble Panels

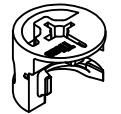
A186366H

Scan QR Code to Watch Video on:



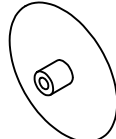
How to Tighten KD Cams

H181468US



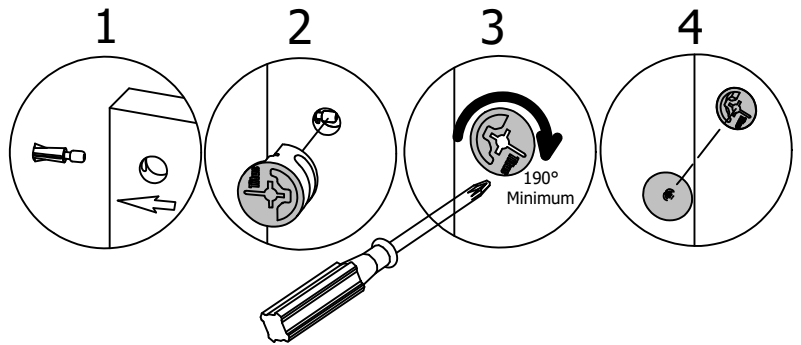
KD Cam3000

[7]

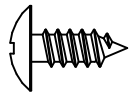


Cover Cap

[7]

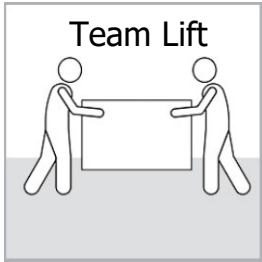


H35251

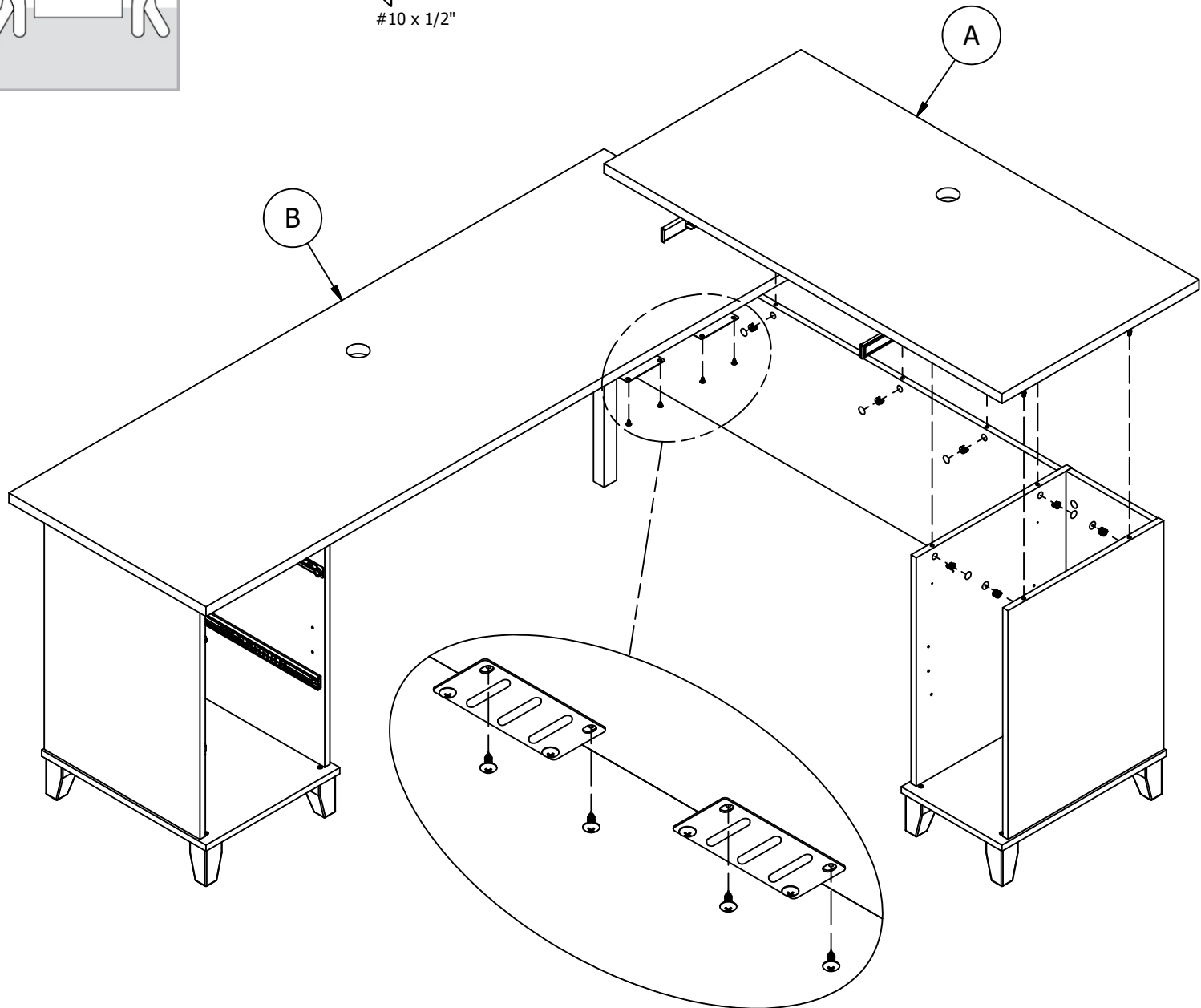


#10 x 1/2"

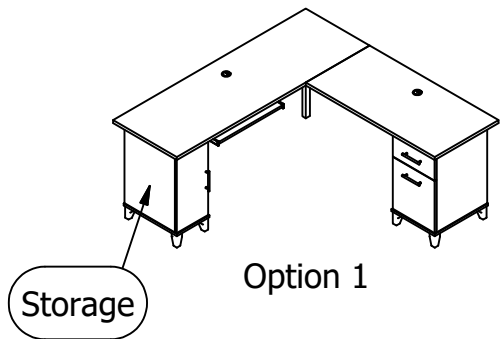
[4]



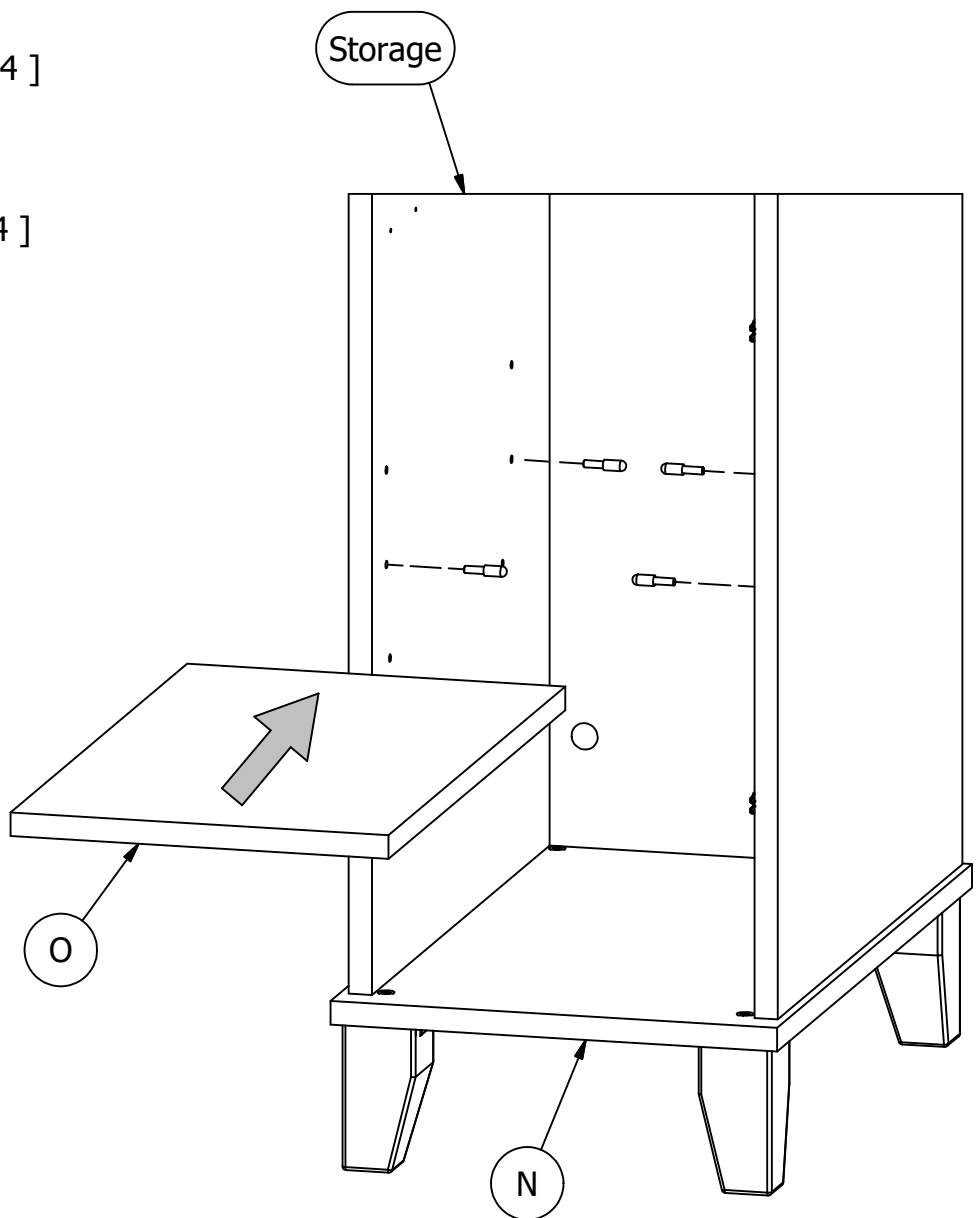
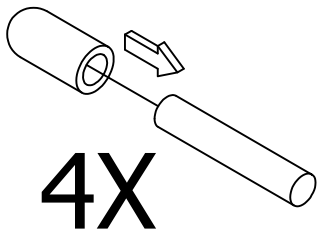
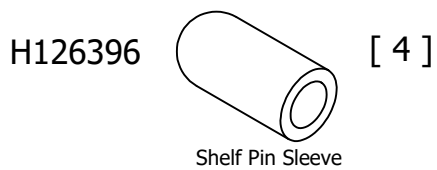
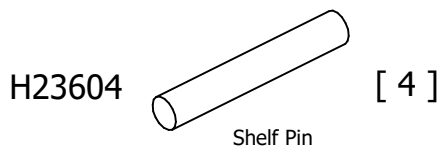
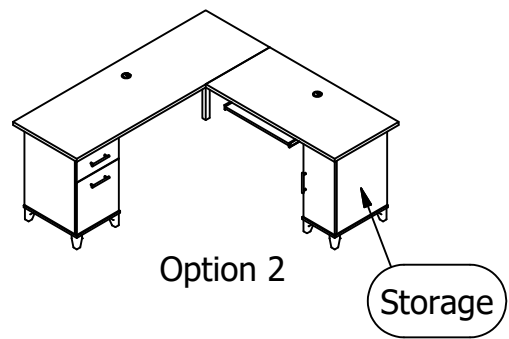
Team Lift



Have an assembly question or need a replacement part? Just call **1-800-950-4782**, we are here to help.



OR
O
OU



STEP 48

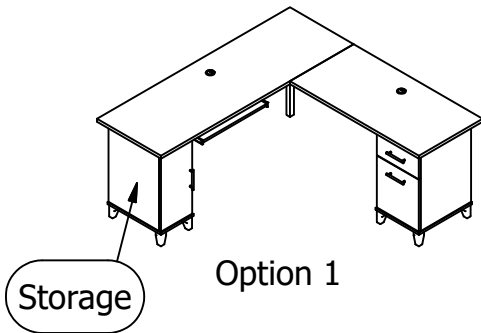
Attach Panel

A186366H

Scan QR Code to Watch Video on:

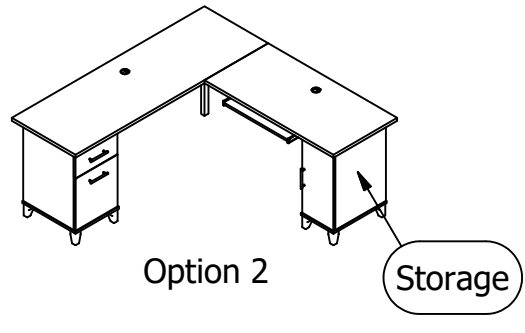


How to Adjust Door Hinges

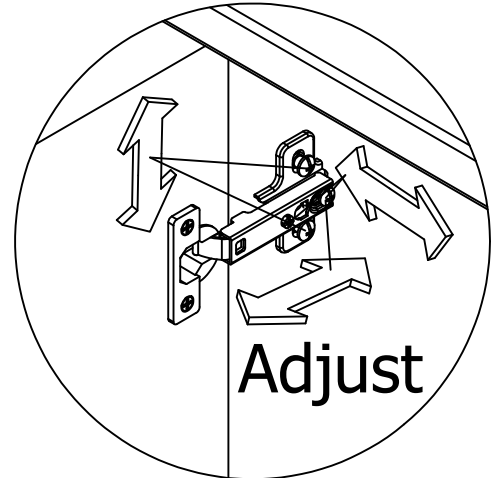
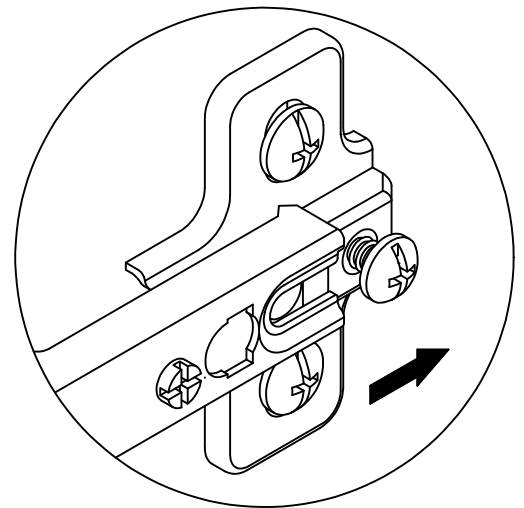
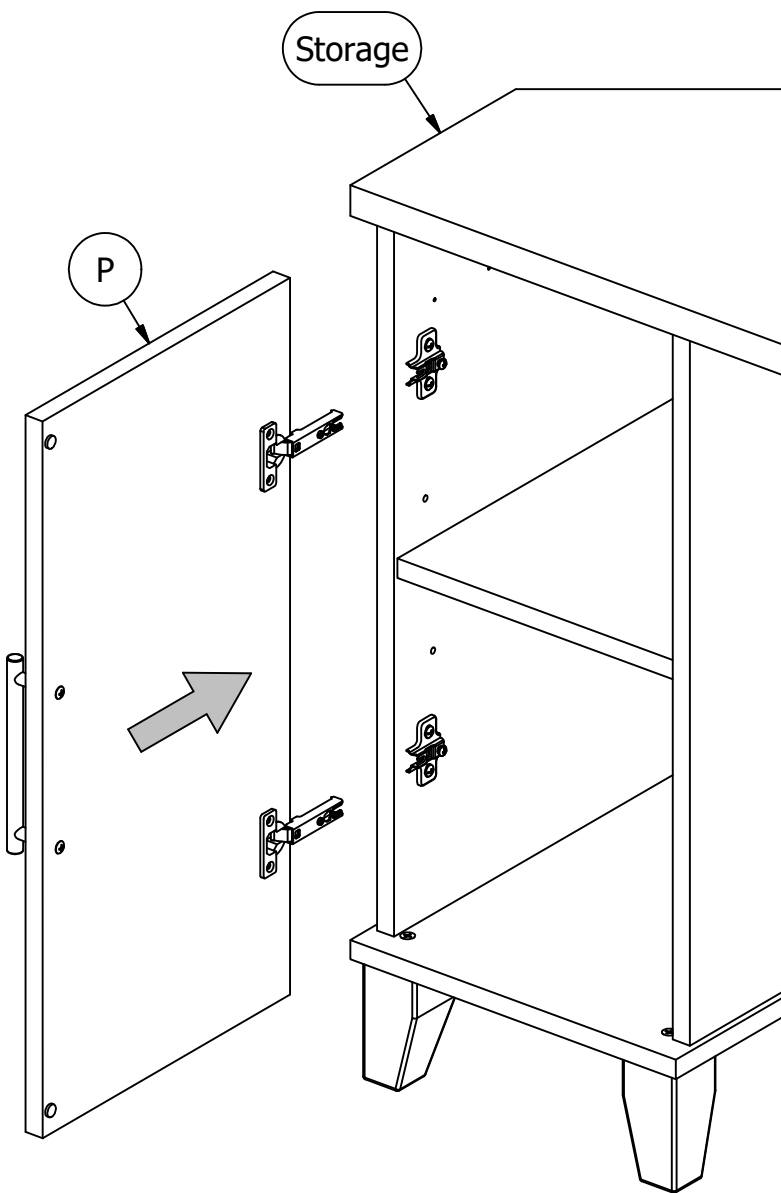


Option 1

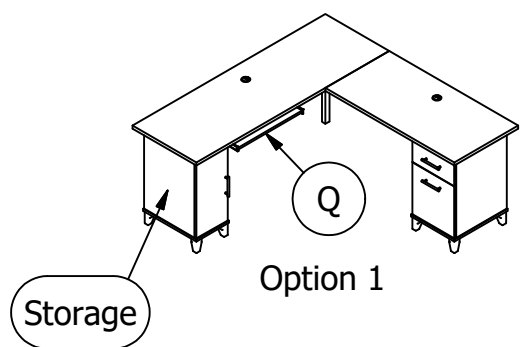
OR
O
OU



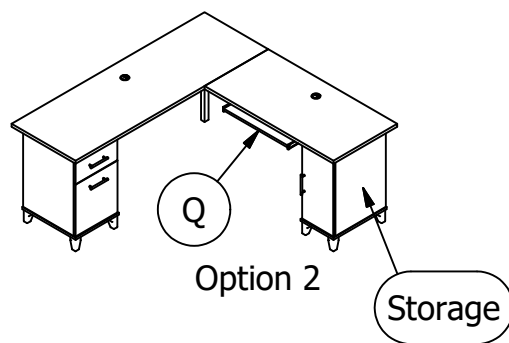
Option 2



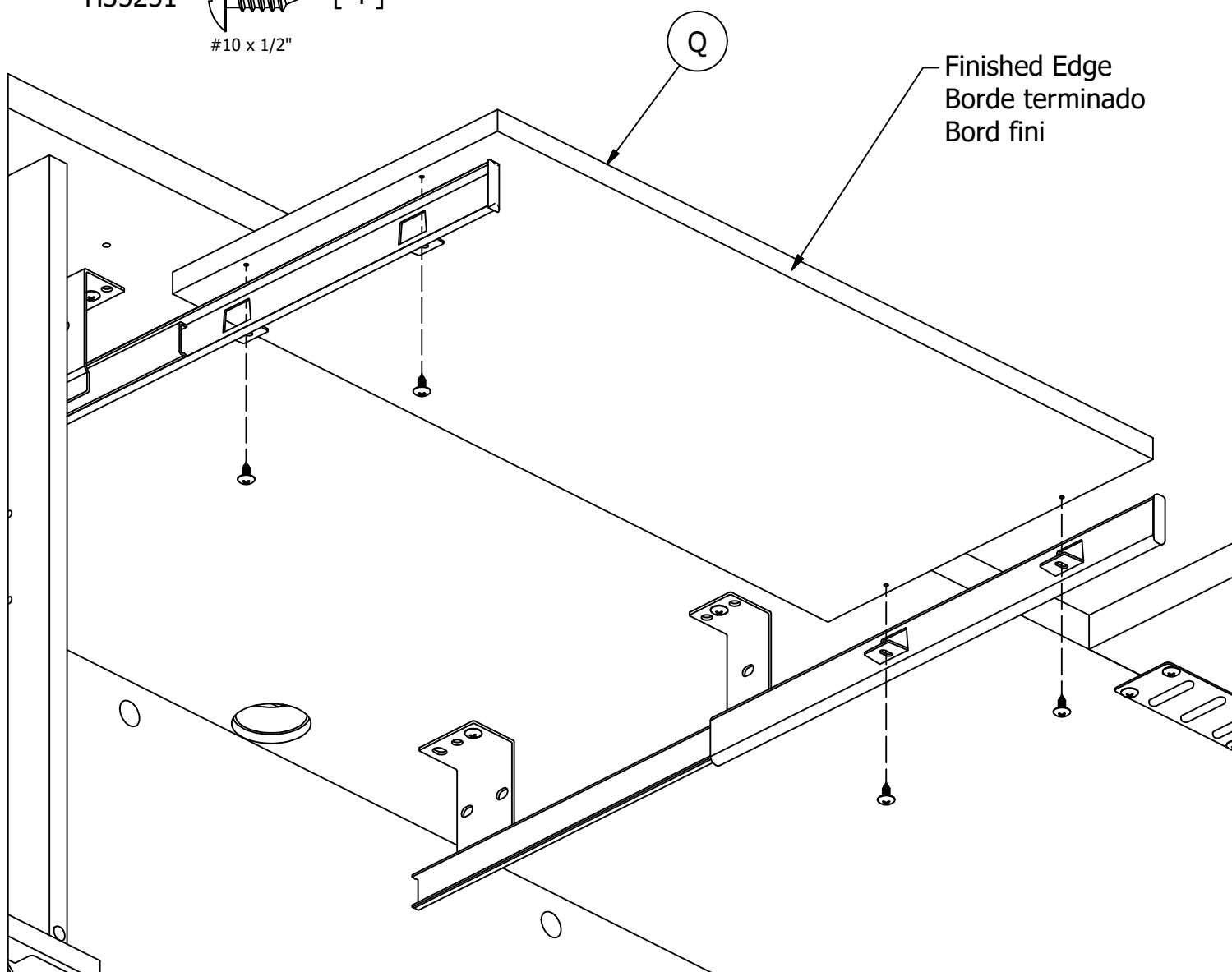
Have an assembly question or need a replacement part? Just call **1-800-950-4782**, we are here to help.



OR
O
OU



H35251 [4]
#10 x 1/2"



Have an assembly question or need a replacement part? Just call
1-800-950-4782, we are here to help.

STEP 50

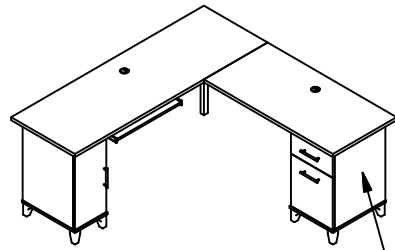
Insert Drawers

A186366H

Scan QR Code to Watch Video on:



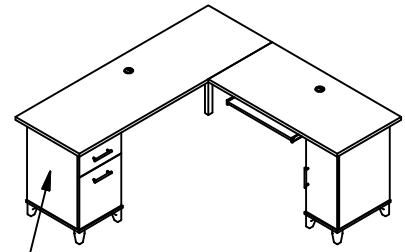
How to Separate and Install Drawer Slides



Option 1

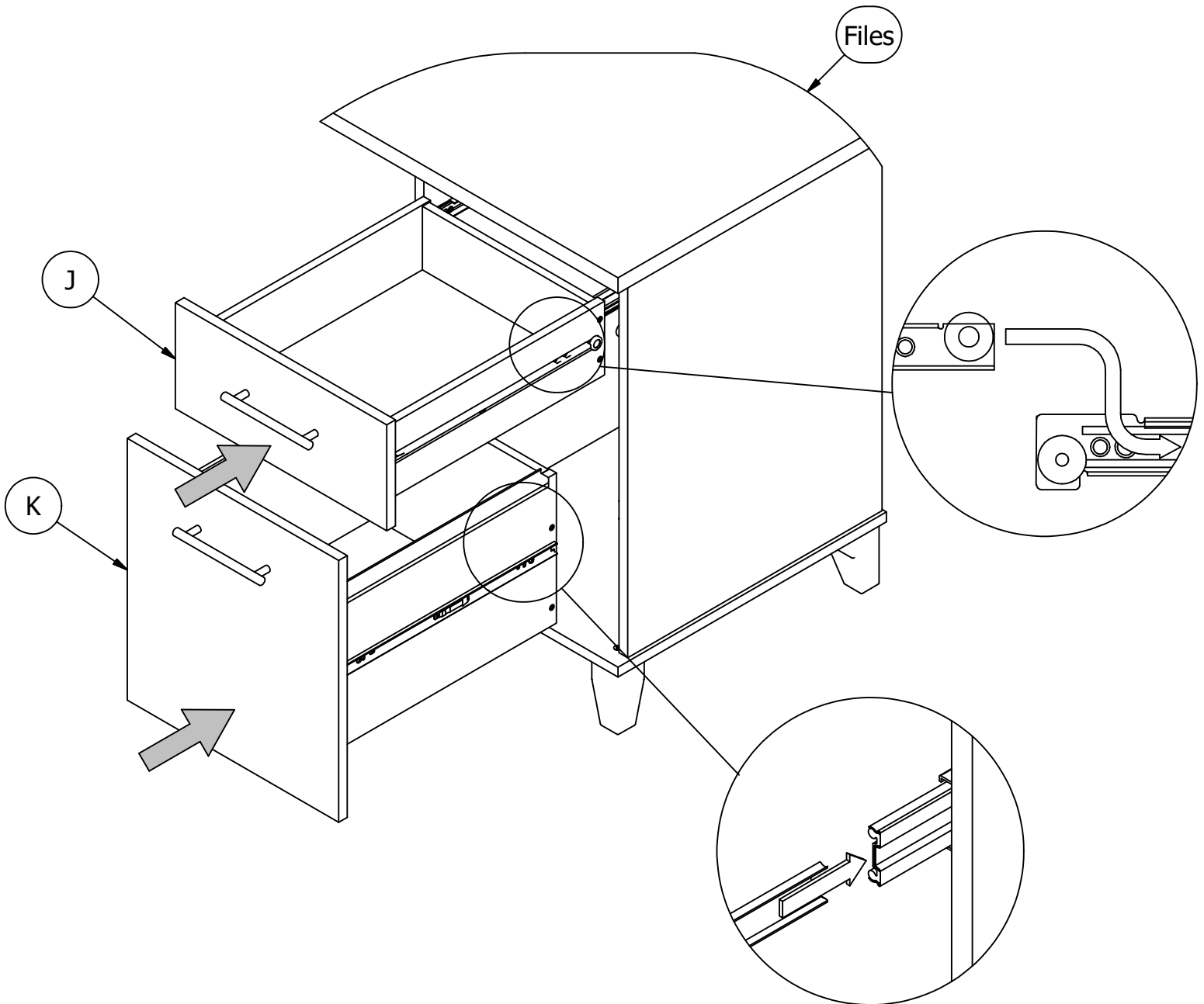
Files

OR
O
OU



Option 2

Files



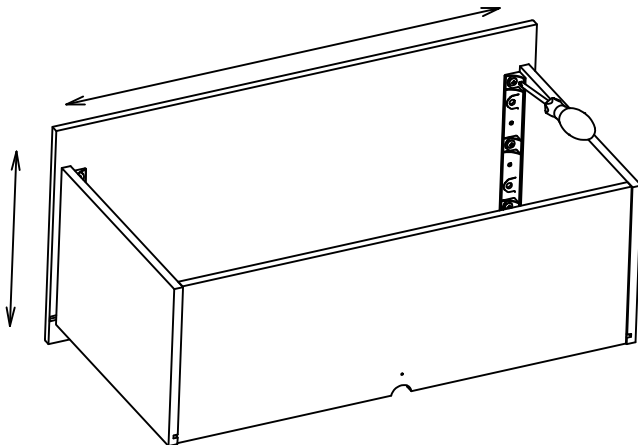
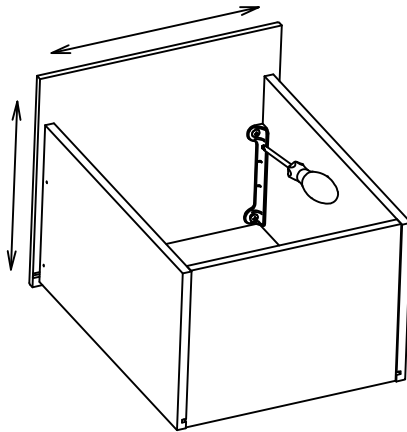
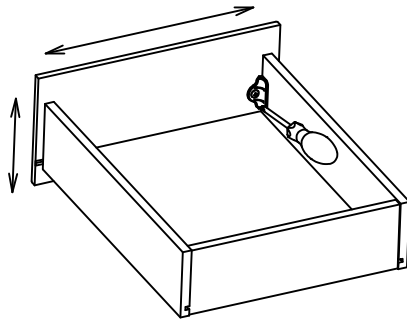
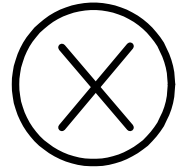
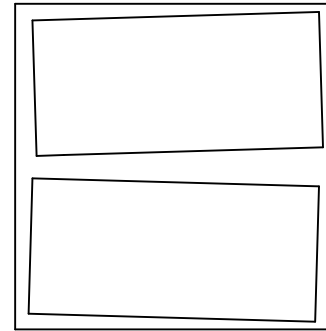
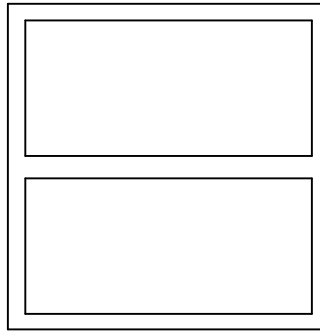
Have an assembly question or need a replacement part? Just call **1-800-950-4782**, we are here to help.

Scan QR Code to Watch Video on:



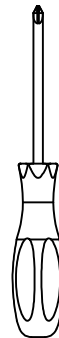
How to Adjust Drawer Fronts

DRAWER FRONT VIEW



REQUIRED TOOL: PHILLIPS SCREWDRIVER

HERRAMIENTA REQUERIDA: DESTORNILLADOR PHILLIPS
 OUTIL REQUIS: TOURNEVIS CRUCIFORME



1. LOOSEN SCREWS.
2. ADJUST DRAWER FRONTS.
3. TIGHTEN SCREWS.

1. Afloje los tornillos
2. Ajustar frentes de cajón
3. Apriete los tornillos

1. Desserrer les vis
2. Ajuster les façades des tiroirs
3. Serrer les vis

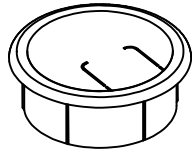
Have an assembly question or need a replacement part? Just call
1-800-950-4782, we are here to help.

Scan QR Code to Watch Video on:



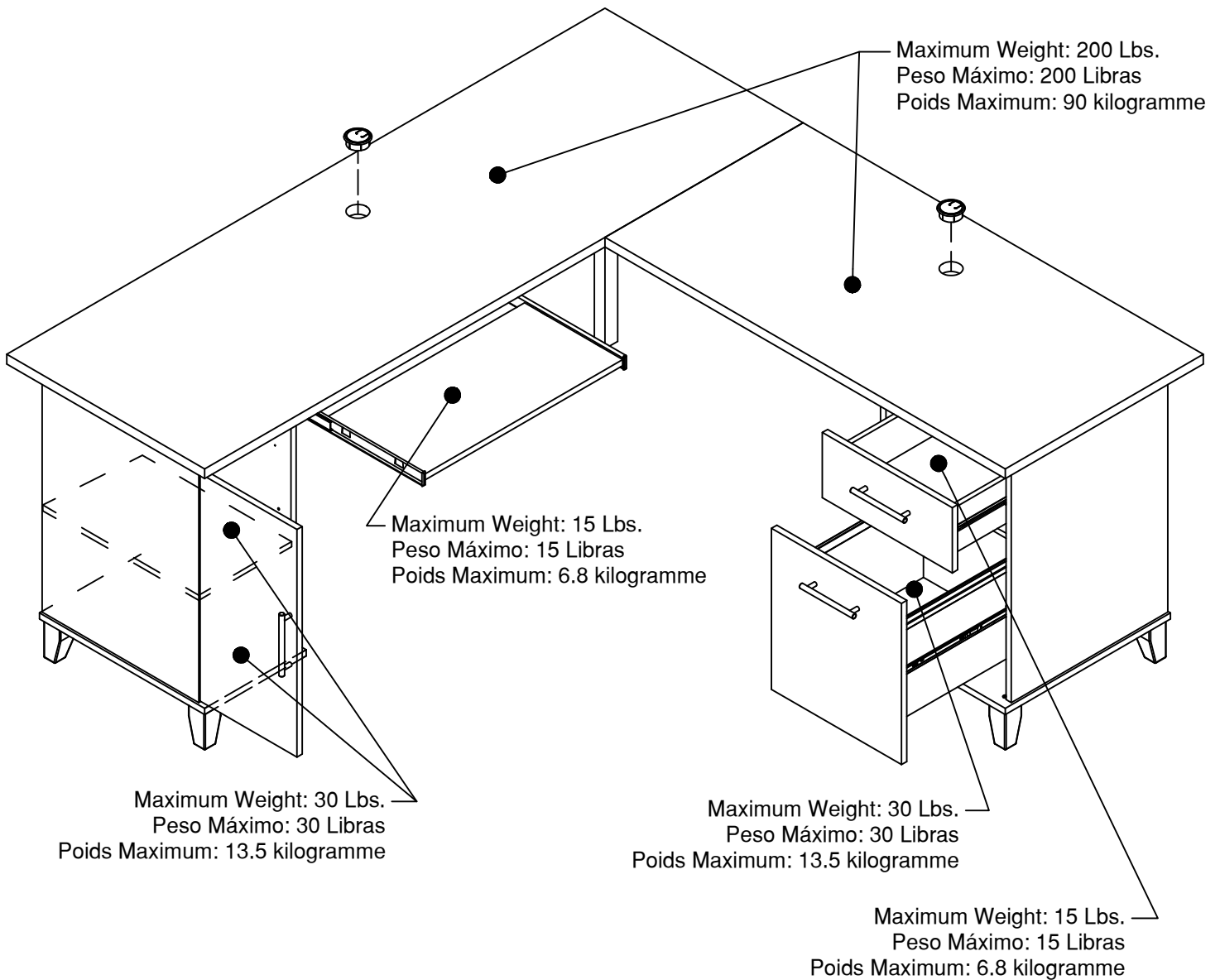
How to Clean the Surface

Gently clean surfaces with a damp sponge eraser.



[2]

Grommet

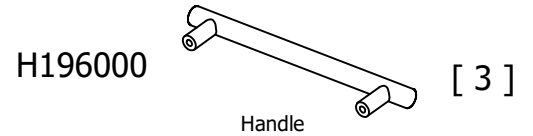
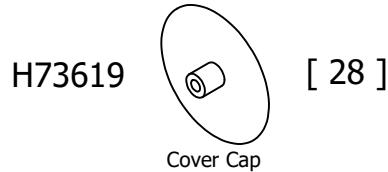
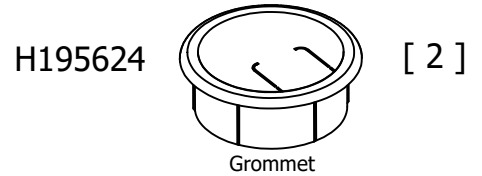
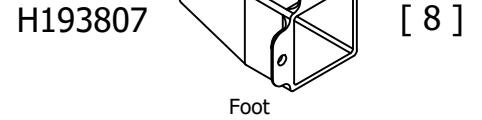


Congratulations! You are all done. If you have any questions or concerns, please call.

Have an assembly question or need a replacement part? Just call **1-800-950-4782**, we are here to help.

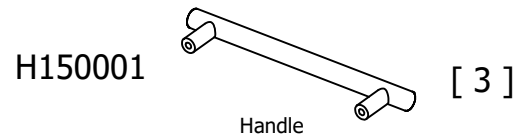
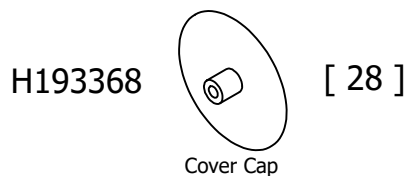
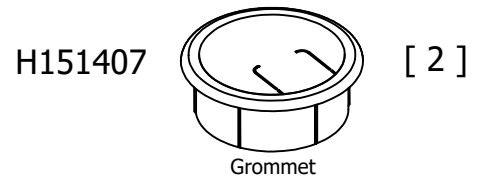
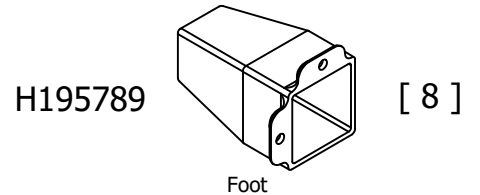
WC81010

A	W200549	[1]	N	W196055	[1]
B	W200550	[1]	O	W200724	[1]
C	W218682	[1]	P	W193865	[1]
D	W218683	[1]	Q	W200559	[1]
E	W196047	[1]	R	W193867	[1]
F	W196048	[1]	S	W193868	[1]
G	W196049	[1]	T	W106489	[2]
H	W196050	[1]	U	W192433	[1]
J	W218511	[1]	V	W215261	[2]
K	W218512	[1]	W	W218468	[1]
L	W218684	[1]	X	W87410	[2]
M	W218685	[1]			



WC81110

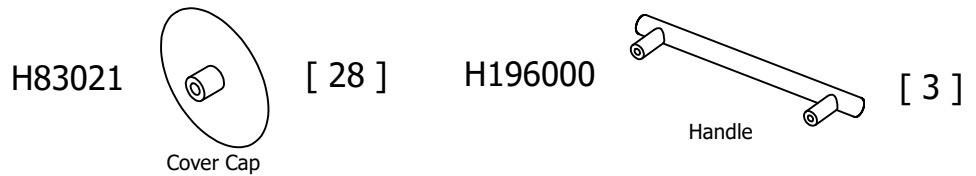
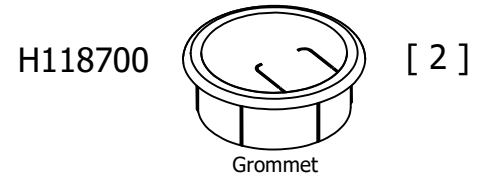
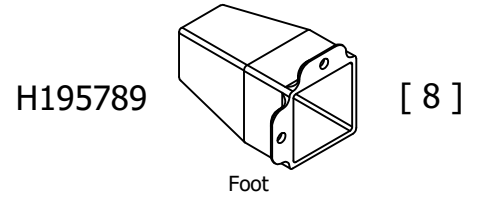
A	W200455	[1]	N	W200467	[1]
B	W200456	[1]	O	W200468	[1]
C	W218686	[1]	P	W200469	[1]
D	W218687	[1]	Q	W200472	[1]
E	W200459	[1]	R	W200470	[1]
F	W200460	[1]	S	W200471	[1]
G	W200461	[1]	T	W106489	[2]
H	W200462	[1]	U	W192433	[1]
J	W218513	[1]	V	W215261	[2]
K	W218514	[1]	W	W218468	[1]
L	W218688	[1]	X	W87410	[2]
M	W218689	[1]			



Have an assembly question or need a replacement part? Just call
1-800-950-4782, we are here to help.

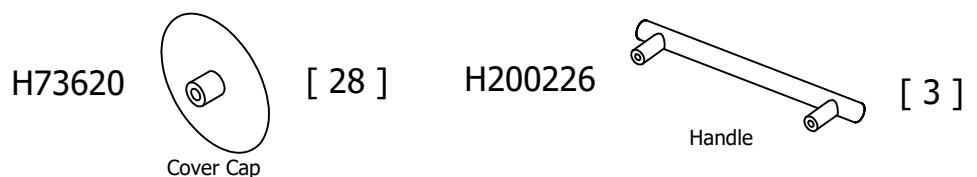
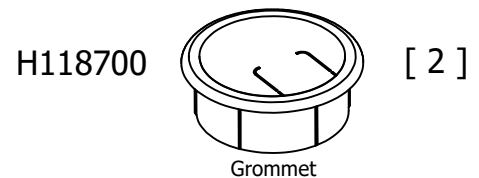
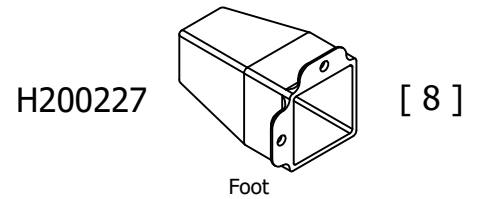
WC81210

A	W195836	[1]	N	W195848	[1]
B	W195837	[1]	O	W195849	[1]
C	W218690	[1]	P	W195850	[1]
D	W218691	[1]	Q	W195853	[1]
E	W195840	[1]	R	W195851	[1]
F	W195841	[1]	S	W195852	[1]
G	W195842	[1]	T	W106489	[2]
H	W195843	[1]	U	W192433	[1]
J	W218515	[1]	V	W215261	[2]
K	W218516	[1]	W	W218468	[1]
L	W218692	[1]	X	W87410	[2]
M	W218693	[1]			



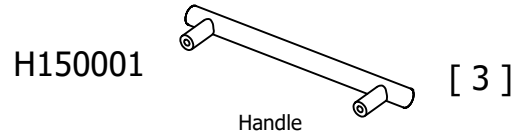
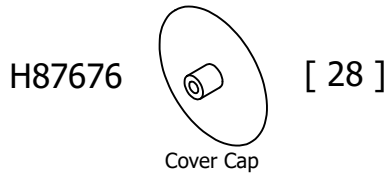
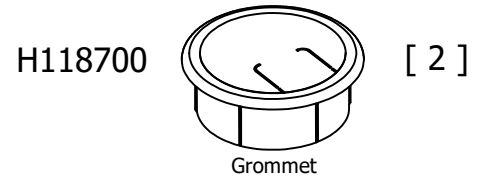
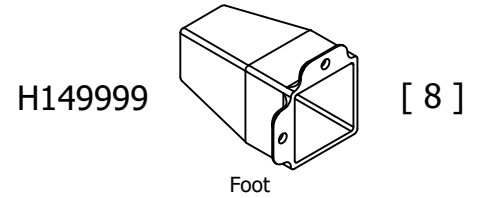
WC81310

A	W200361	[1]	N	W200373	[1]
B	W200362	[1]	O	W200374	[1]
C	W218694	[1]	P	W200375	[1]
D	W218695	[1]	Q	W200378	[1]
E	W200365	[1]	R	W200376	[1]
F	W200366	[1]	S	W200377	[1]
G	W200367	[1]	T	W106489	[2]
H	W200368	[1]	U	W192433	[1]
J	W218517	[1]	V	W215261	[2]
K	W218518	[1]	W	W218468	[1]
L	W218696	[1]	X	W87410	[2]
M	W218697	[1]			



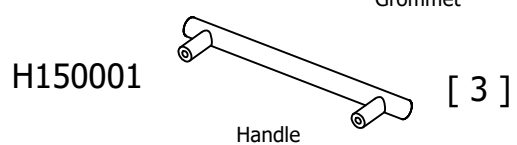
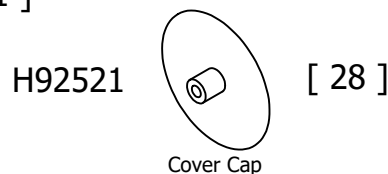
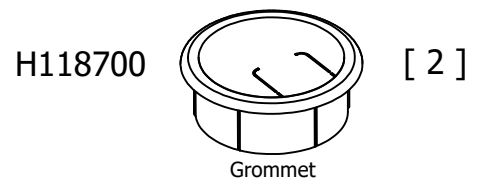
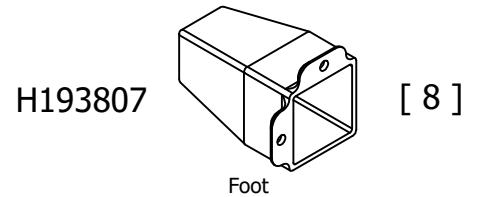
WC81410C

A	W187360	[1]	N	W187372	[1]
B	W187361	[1]	O	W187373	[1]
C	W218698	[1]	P	W187374	[1]
D	W218699	[1]	Q	W195729	[1]
E	W187364	[1]	R	W187376	[1]
F	W187365	[1]	S	W187377	[1]
G	W187366	[1]	T	W106489	[2]
H	W187367	[1]	U	W192433	[1]
J	W218519	[1]	V	W215261	[2]
K	W218520	[1]	W	W218468	[1]
L	W218700	[1]	X	W87410	[2]
M	W218701	[1]			



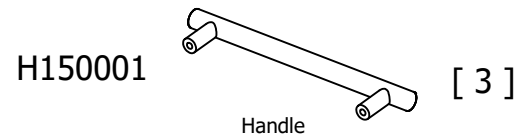
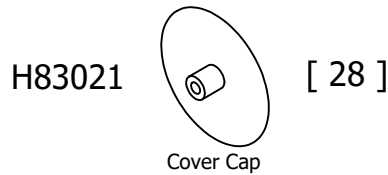
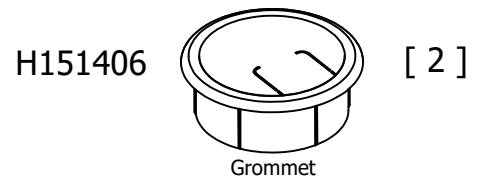
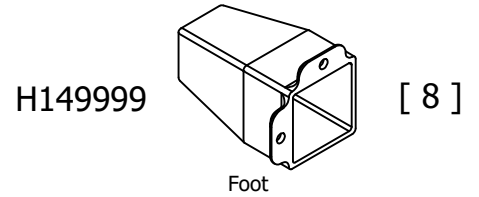
WC81510

A	W193851	[1]	N	W193863	[1]
B	W193852	[1]	O	W193864	[1]
C	W218702	[1]	P	W193865	[1]
D	W218703	[1]	Q	W195730	[1]
E	W193855	[1]	R	W193867	[1]
F	W193856	[1]	S	W193868	[1]
G	W193857	[1]	T	W106489	[2]
H	W193858	[1]	U	W192433	[1]
J	W218511	[1]	V	W215261	[2]
K	W218512	[1]	W	W218468	[1]
L	W218704	[1]	X	W87410	[2]
M	W218705	[1]			



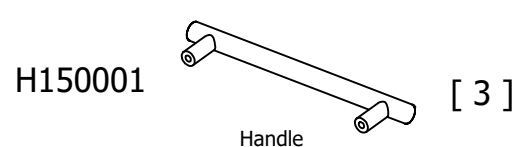
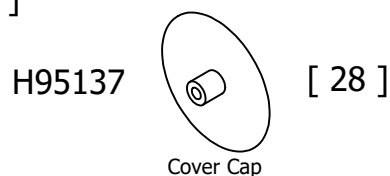
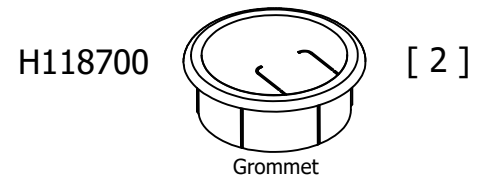
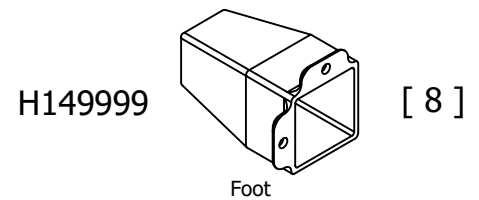
WC81610

A	W186349	[1]	N	W186350	[1]
B	W186359	[1]	O	W186375	[1]
C	W218706	[1]	P	W186365	[1]
D	W218707	[1]	Q	W195731	[1]
E	W186353	[1]	R	W186363	[1]
F	W186361	[1]	S	W186364	[1]
G	W186354	[1]	T	W106489	[2]
H	W186362	[1]	U	W192433	[1]
J	W218523	[1]	V	W215261	[2]
K	W218524	[1]	W	W218468	[1]
L	W218708	[1]	X	W87410	[2]
M	W218709	[1]			



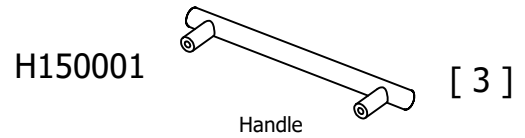
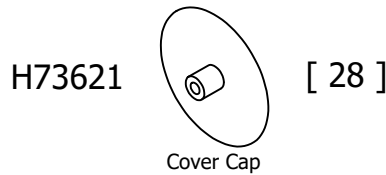
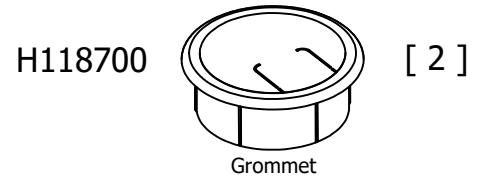
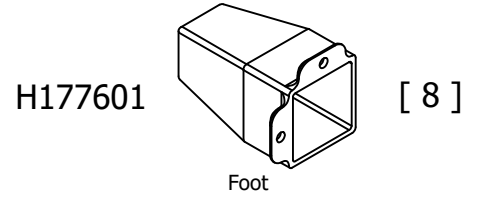
WC81710C

A	W187378	[1]	N	W187390	[1]
B	W187379	[1]	O	W187391	[1]
C	W218710	[1]	P	W187392	[1]
D	W218711	[1]	Q	W195732	[1]
E	W187382	[1]	R	W187394	[1]
F	W187383	[1]	S	W187395	[1]
G	W187384	[1]	T	W106489	[2]
H	W187385	[1]	U	W192433	[1]
J	W218525	[1]	V	W215261	[2]
K	W218526	[1]	W	W218468	[1]
L	W218712	[1]	X	W87410	[2]
M	W218713	[1]			



WC81810C

A	W187396	[1]	N	W187408	[1]
B	W187397	[1]	O	W187409	[1]
C	W218714	[1]	P	W187410	[1]
D	W218715	[1]	Q	W195733	[1]
E	W187400	[1]	R	W187412	[1]
F	W187401	[1]	S	W187413	[1]
G	W187402	[1]	T	W106489	[2]
H	W187403	[1]	U	W192433	[1]
J	W218527	[1]	V	W215261	[2]
K	W218528	[1]	W	W218468	[1]
L	W218716	[1]	X	W87410	[2]
M	W218717	[1]			



WC81910

A	W196043	[1]	N	W196055	[1]
B	W196044	[1]	O	W196056	[1]
C	W218682	[1]	P	W196057	[1]
D	W218683	[1]	Q	W196060	[1]
E	W196047	[1]	R	W196058	[1]
F	W196048	[1]	S	W196059	[1]
G	W196049	[1]	T	W106489	[2]
H	W196050	[1]	U	W192433	[1]
J	W218529	[1]	V	W215261	[2]
K	W218530	[1]	W	W218468	[1]
L	W218684	[1]	X	W87410	[2]
M	W218685	[1]			

