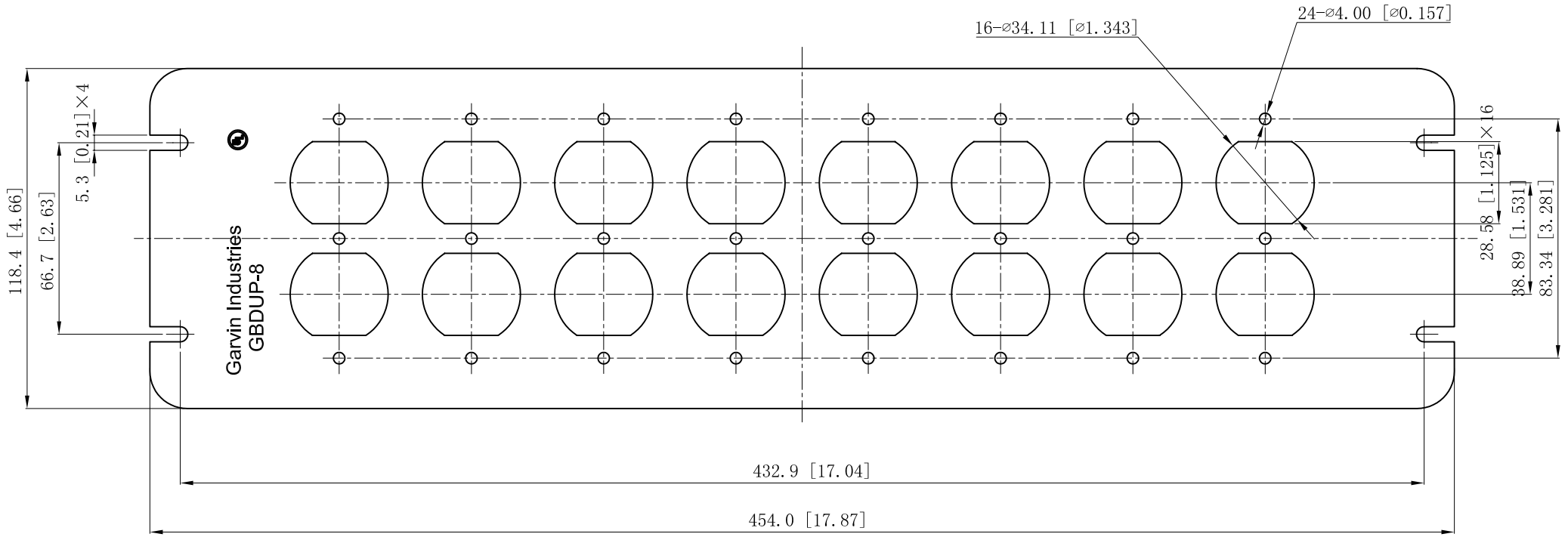


SIDES	BOTTOM
Material: Steel-0.0625"-G60 Galvanized	



DESCRIPTION
TRADE REFERENCE TERMS

This data sheet is for reference only .GARVIN INDUSTRIES reserves the right to make changes to the design without prior notice.

STANDARD PACKING	<h1 style="text-align: center;">GARVIN INDUSTRIES</h1>		
1 PCS			
	SIZE	DWG NO.	GBDUP-8
	A4		DATA SHEET
			REV A