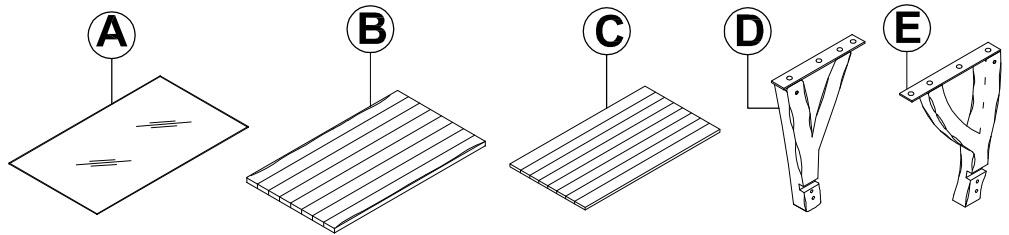


BRIDGER COFFEE TABLE ASSEMBLY INSTRUCTIONS



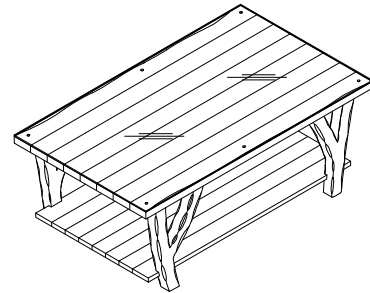
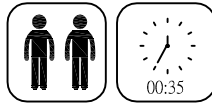
PARTS PACKING CONFIGURATIONS

- A. GLASS TOP 1 PC
- B. TABLE TOP 1 PC
- C. SHELF 1PC
- D. D LEGS 2PCS
- E. E LEGS 2PCS



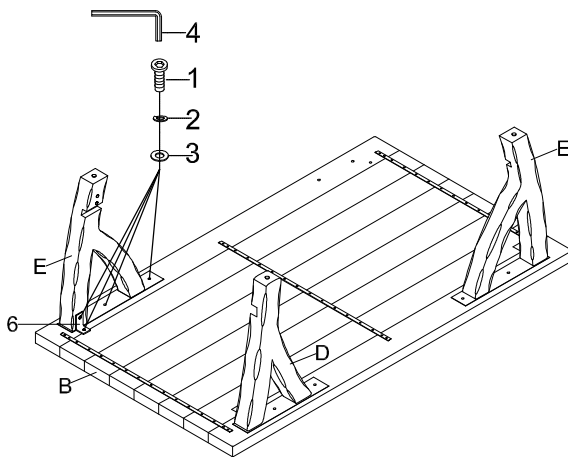
HARDWARE ENCLOSED IN CARTON

No	Description	Photo	Quantity
1	ALLEN BOLT (1/4" x 5/8")		32 PCS
2	LOCK WASHER (1/4")		32 PCS
3	FLAT WASHER (1/4")		32 PCS
4	ALLEN KEY		1 PC
5	L BRACKET (55x55x25x3)		4 PCS
6	L BRACKET (45x45x25x3)		4 PCS
7	RUBBER PAD		6 PCS

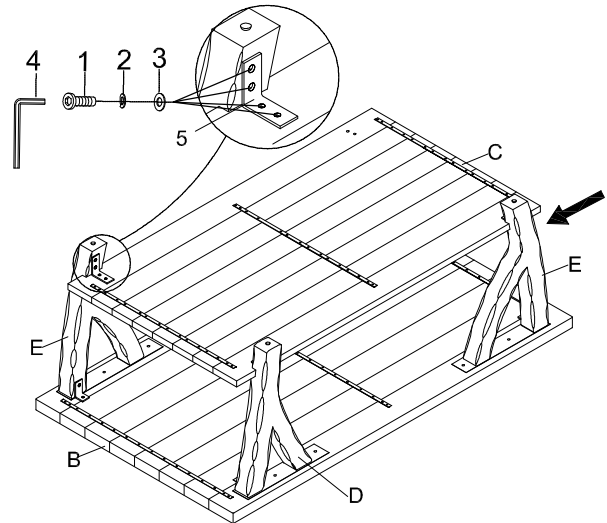


FULLY ASSEMBLED

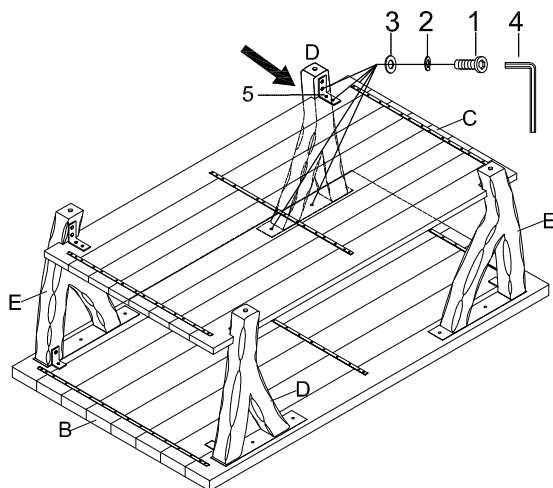
STEP 1:



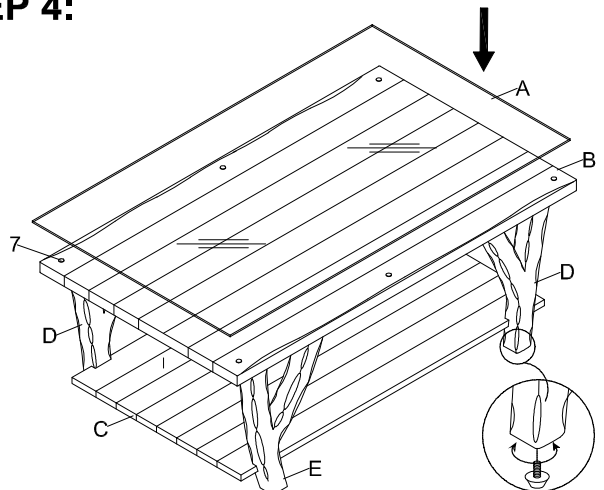
STEP 2:



STEP 3:



STEP 4:



IF TABLE IS NOT LEVEL ON YOUR FLOOR, PLEASE ADJUST LEVELERS ON UNDERSIDE OF LEGS (D/E).