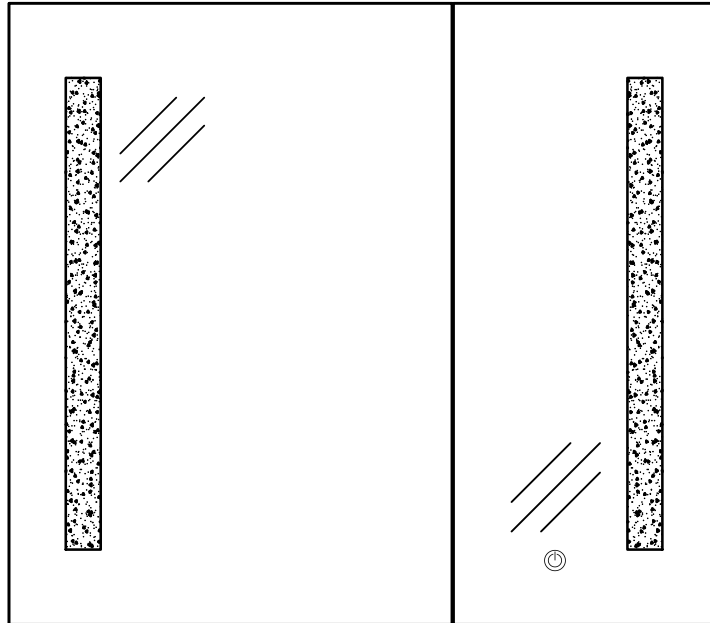


ANZZI®

ITEM: BA-LMDFVCB007AL
ANZZI LED MIRROR
INSTALLATION & OPERATION MANUAL
V1.1
03/28/2025



DON'T WAIT! REGISTER NOW!

Register your product within 90 days to ensure it is recognized as a purchase and covered under warranty.

Register online at <https://anzzi.com/pages/register> or scan the QR code on PG. 2.



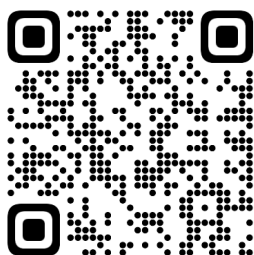
PRODUCT REGISTRATION*

IMPORTANT: Warranty will not be recognized unless product is registered.

Register online at <https://anzzi.com/pages/register> or Scan the QR code below.
Registering your product maximizes your warranty benefits and ensures prompt service and support.

1

USE YOUR PHONE CAMERA
TO SCAN THE QR CODE



2

FILL IN A QUICK
REGISTRATION FORM

Thank you for your purchase!

Registering your products ensures you maximize your warranty benefits and receive prompt service and support.

Name*

Email*

City*

Order #*

Installer Name

...

Model Purchased*

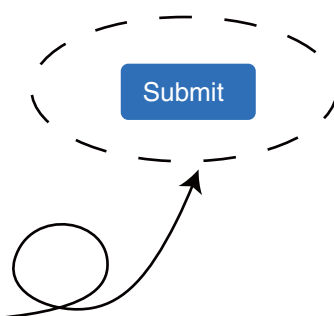
Installer Phone Number

Customer Age Range

Submit

3

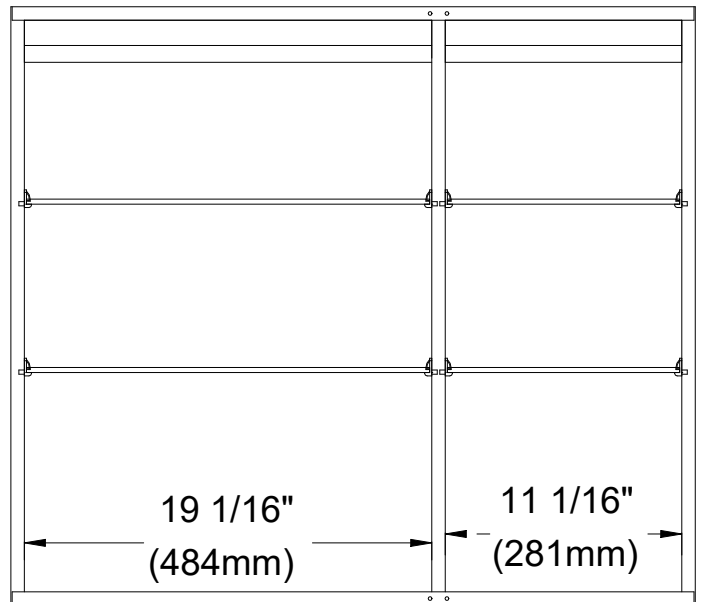
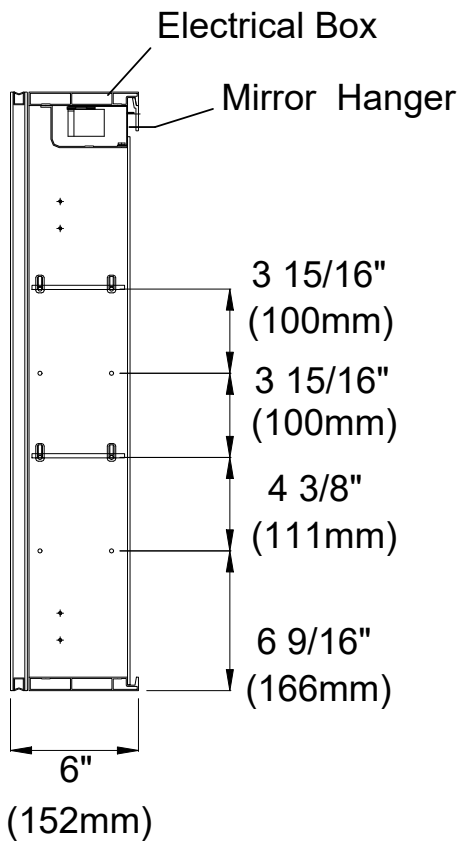
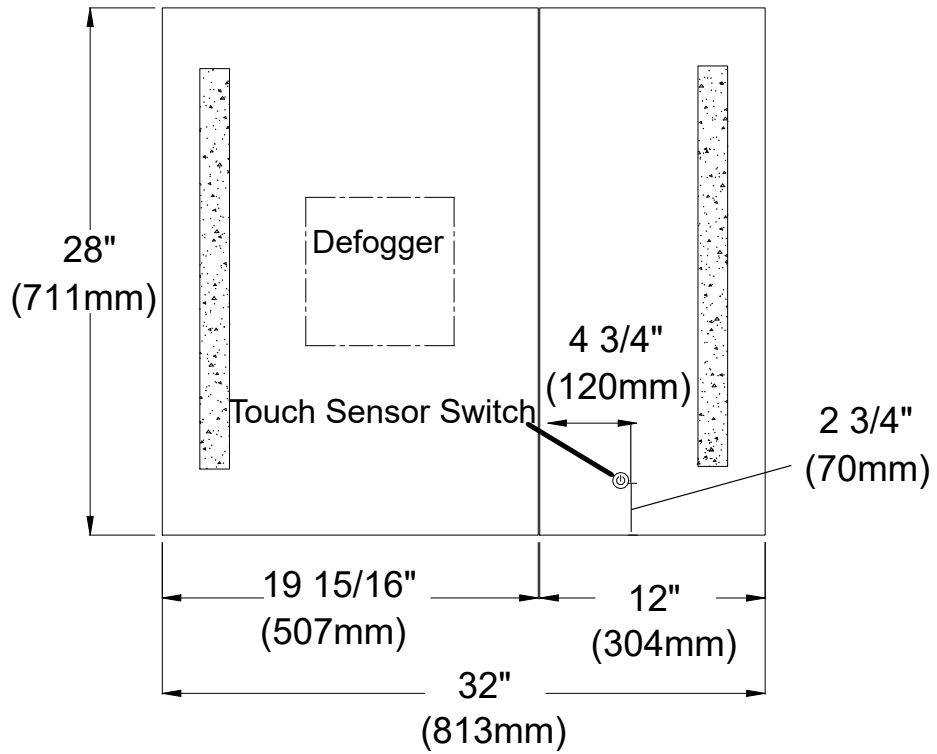
CLICK SUBMIT AND
ENJOY PEACE OF MIND



Need help? For technical support call 305-614-4070 or visit us at www.ANZZI.com

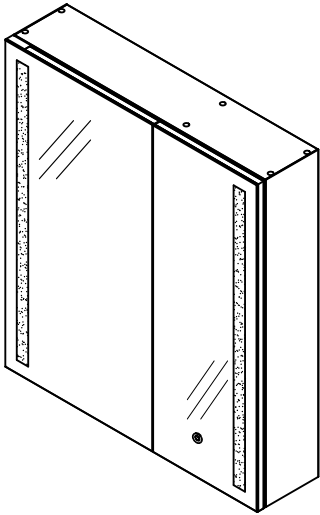
BA-LMDFVCB007AL

32"28"

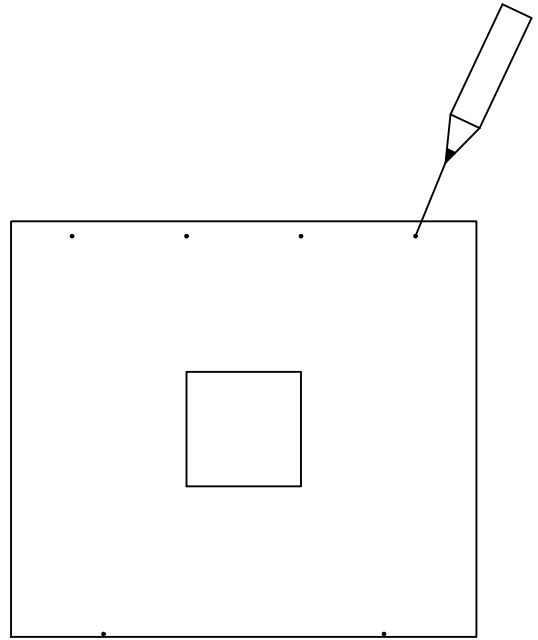


INSTALLATION DIAGRAM

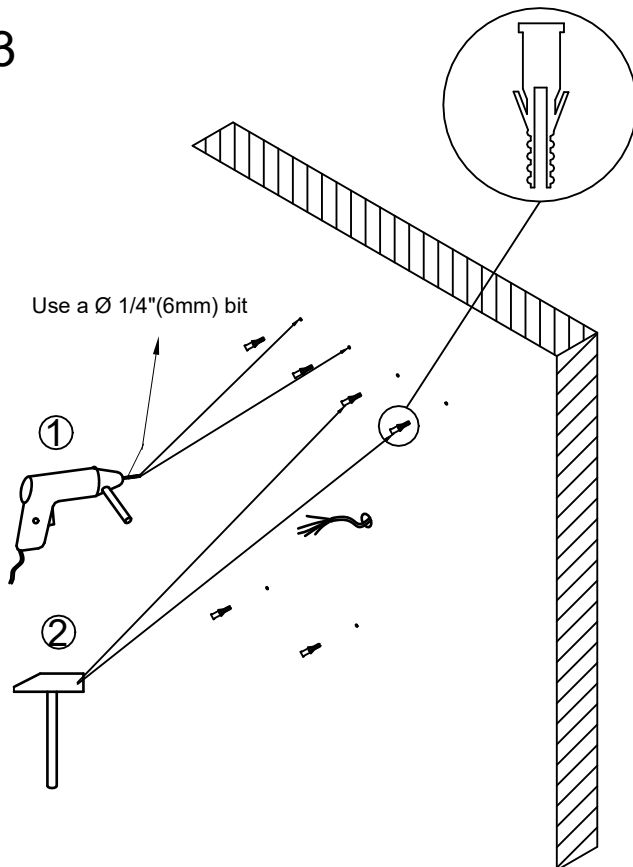
1



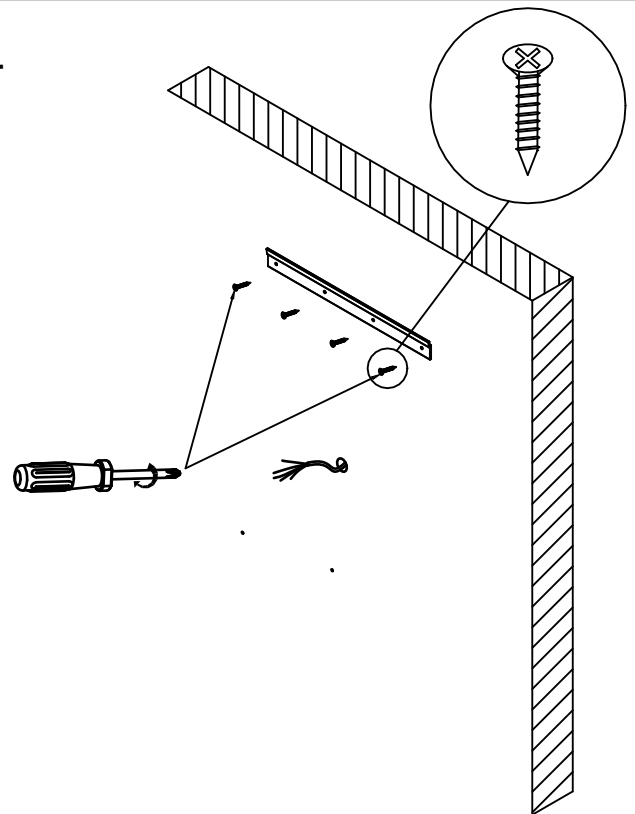
2



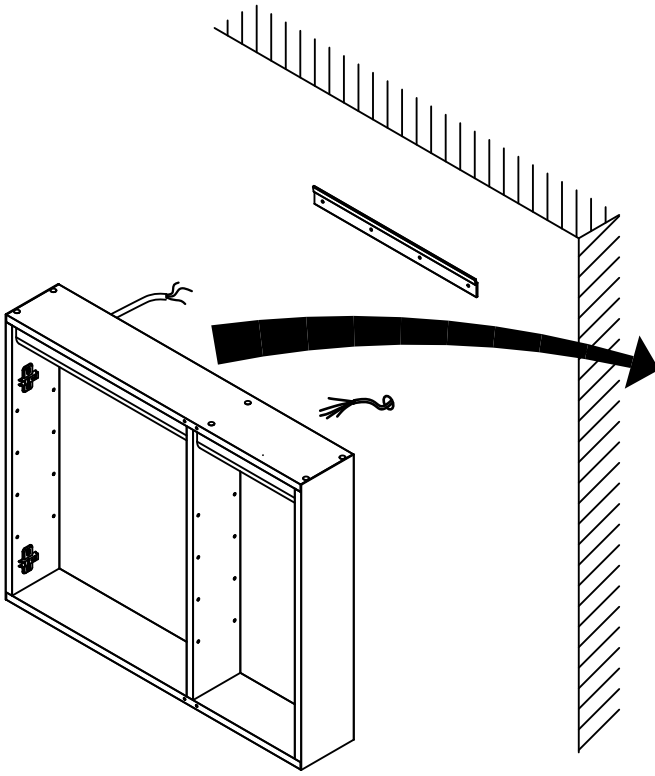
3



4



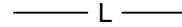
5



WIRING DETAILS

INCOMING SUPPLY

SWITCHED LIVE



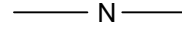
L

EARTH (GREEN/YELLOW SLEEVED COPPER)



N

NEUTRAL

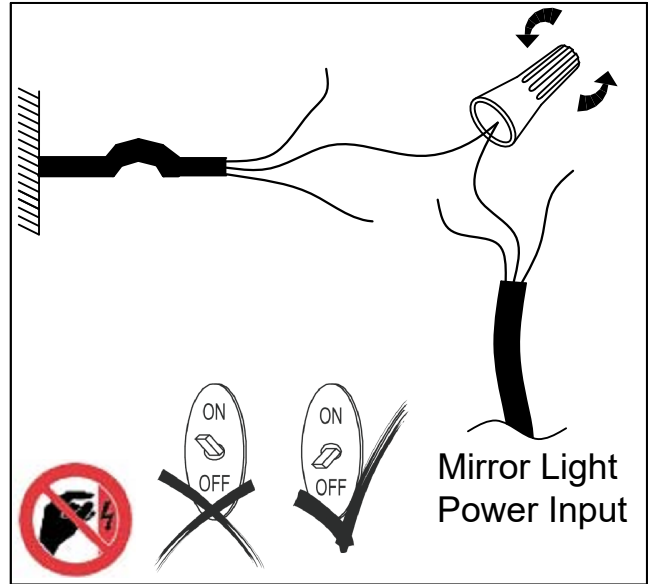


MIRROR WIRING

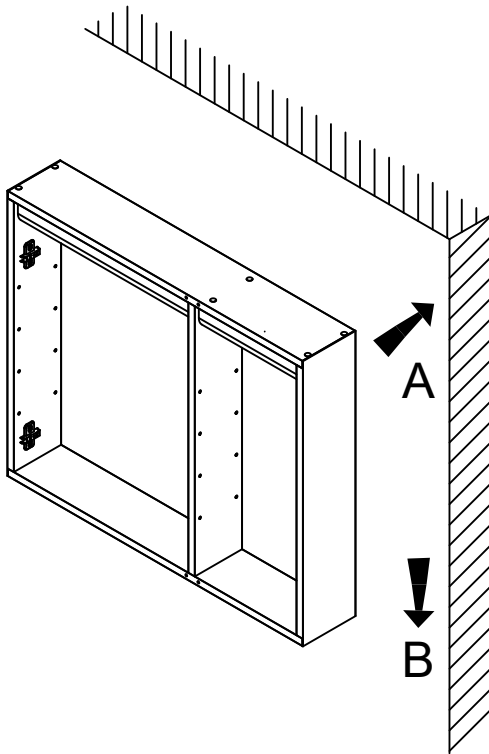
BLACK or LABELED - L

GREEN - E

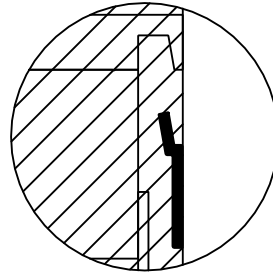
WHITE or LABELED - N



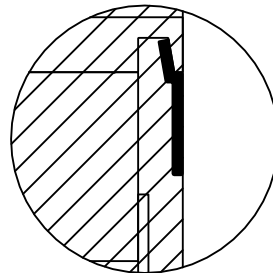
6



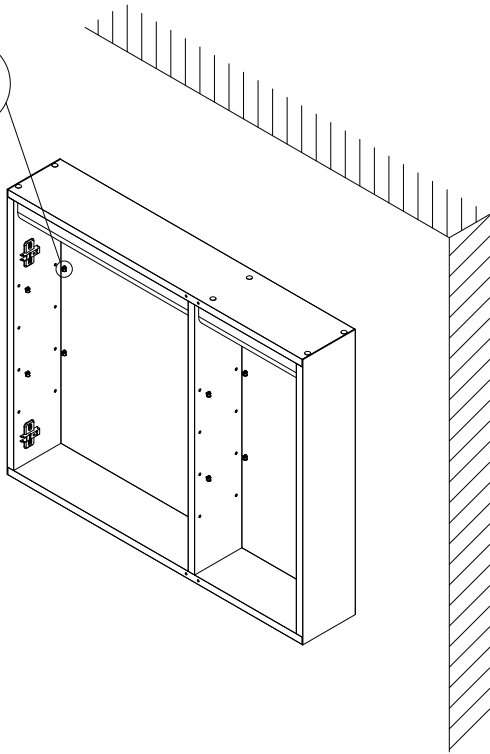
A



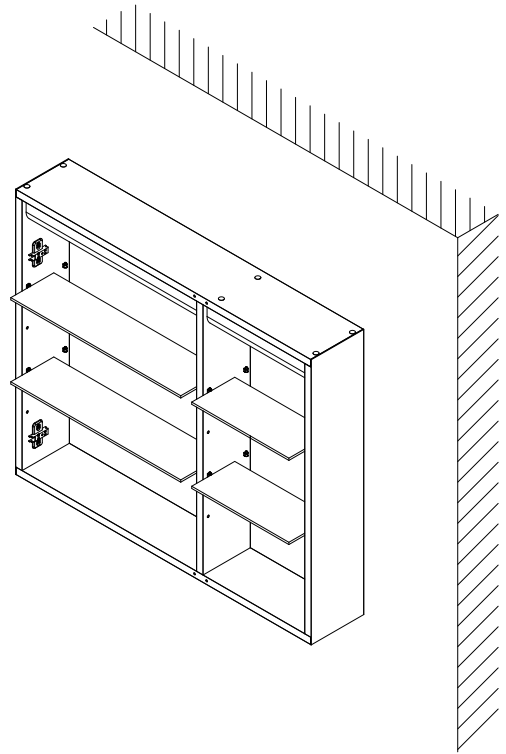
B



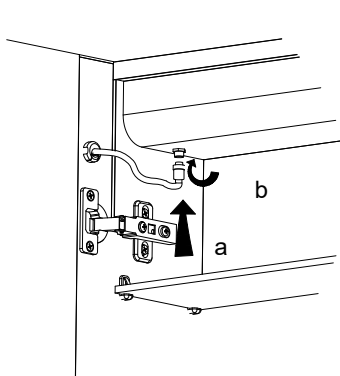
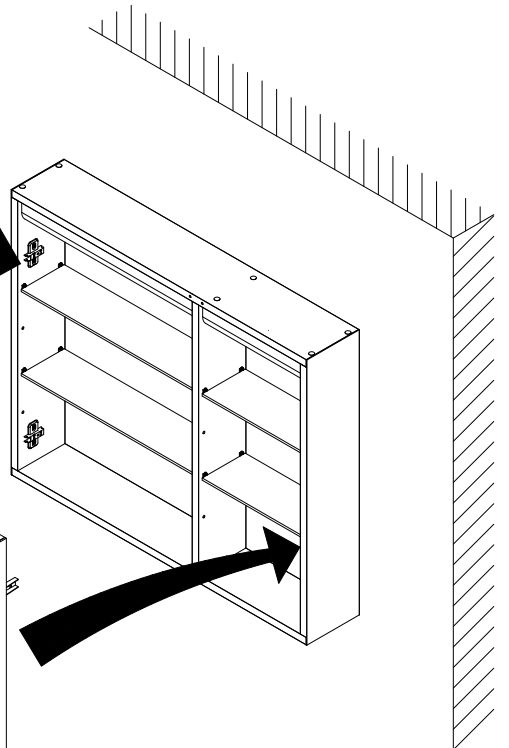
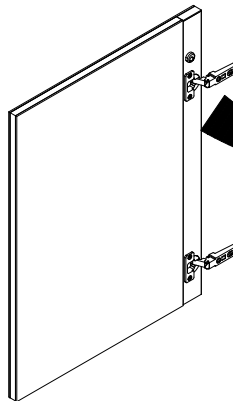
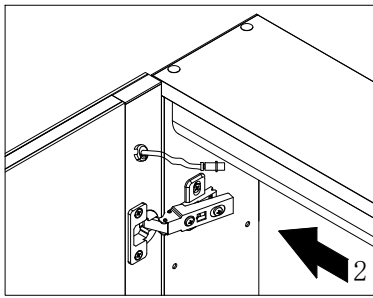
7



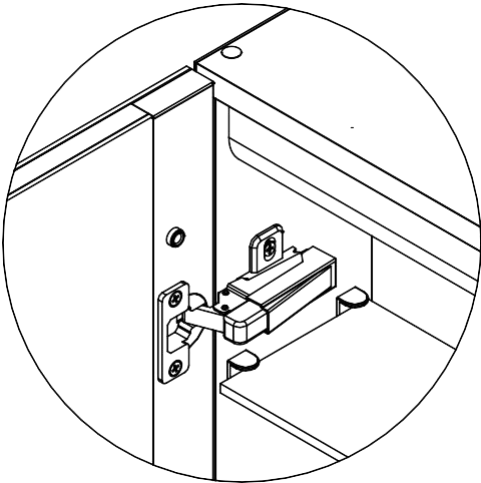
8



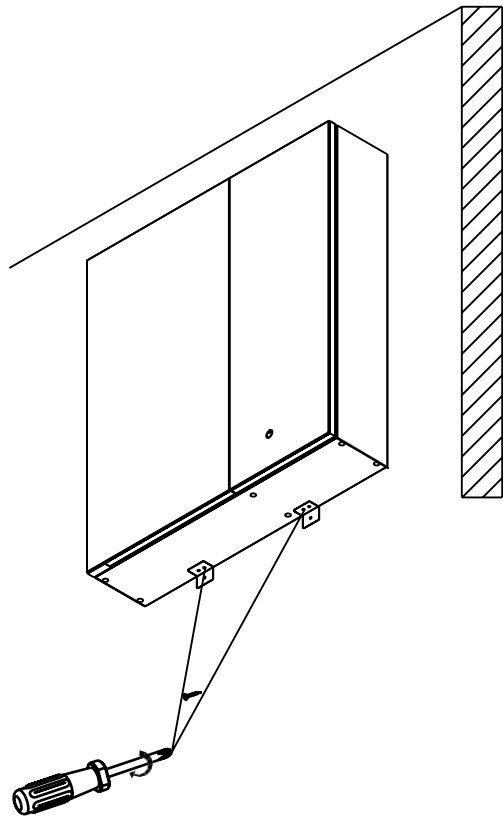
9



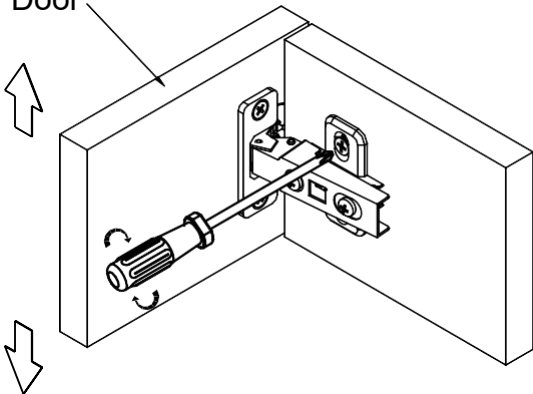
10



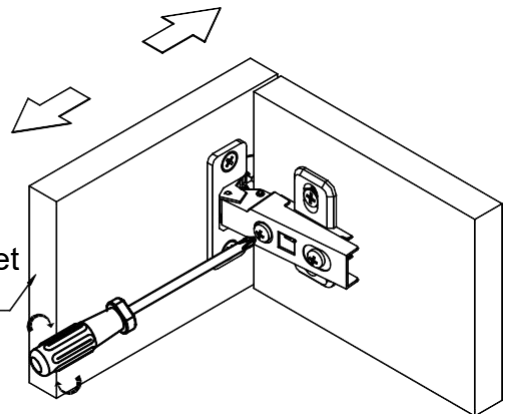
11



Mirror Cabinet Door



Mirror Cabinet Door



Mirror Cabinet Door

