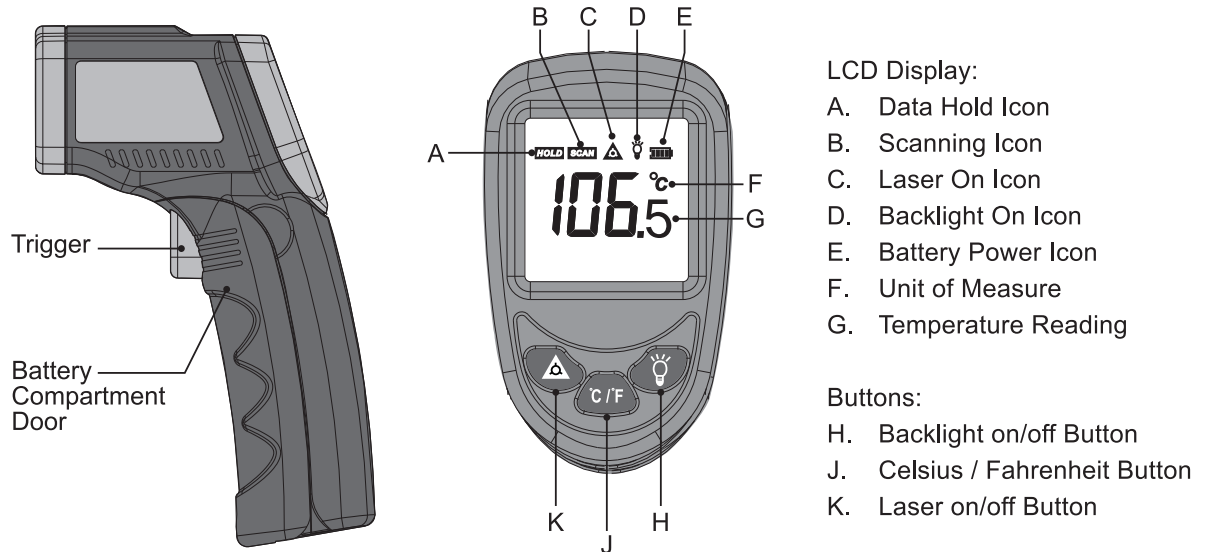


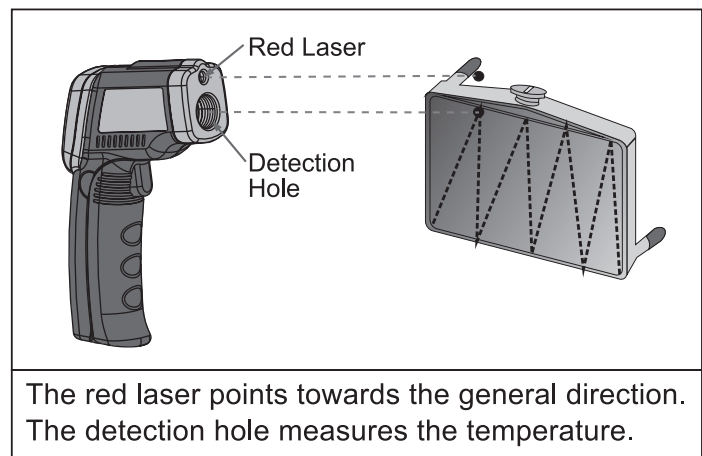
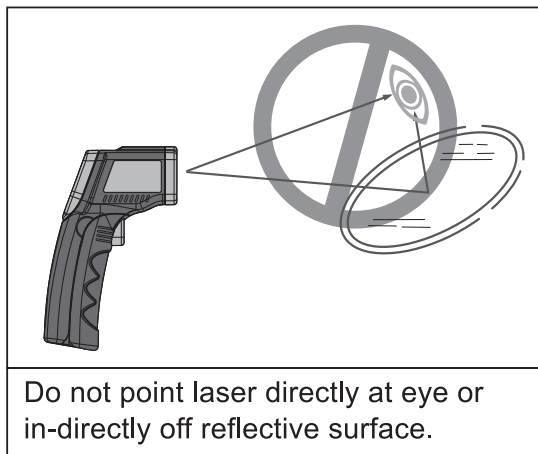
Compact, sturdy and easy to use. Safely measure surface temperature of hot, hazardous or hard-to-reach objects without contact. Aim, press the trigger, and read the surface temperature in less than a second.

Quick Start Instructions

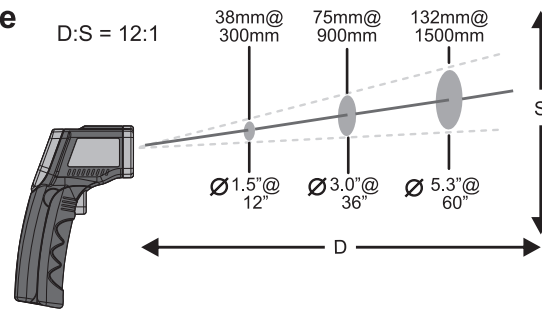


1. Install the batteries (2 x AAA) into the battery compartment.
2. Point thermometer at surface. Press the trigger and LCD screen will display temperature reading.
3. Release the trigger and the LCD screen will turn off after 20 seconds.

Warnings



Distance & Spot Size



When taking temperature, point thermometer toward the object and hold the trigger. The object should be larger than the spot size calculated by the field of view diagram.

Notes:

- As the distance from the object increase, the spot size of measuring area becomes larger.
- The smaller the target, the closer the measure distance.
- When accuracy is critical, make sure the target is at least twice as large as the spot size.

Locate the Hot Spot:

1. Aim the thermometer outside the area of interest, then press and hold trigger button. Scan across with up and down motions until you locate the hot spot.

Caution

- Do not expose thermometer to electro-magnetic fields such as induction heaters.
- Do not expose thermometer to thermal shock caused by large or abrupt ambient temperature changes. Allow 30 minutes for unit to stabilize before use.

Maintenance

- **Lens cleaning:** Blow off loose particles using clean compressed air. Gently brush remaining debris away with a moist cotton cloth.
- **Case cleaning:** Clean the case with a damp sponge or cloth.

Notes:

- DO NOT use solvent to clean lens.
- DO NOT submerge the unit in water.

Specifications	
Temperature range	-26 to 608°F (-32 to 320°C)
Accuracy	-32°C(-26°F) to 0°C(32°F) ±3°C
(In the condition of 23°C±3°C)	0°C(32°F) to 100°C(212°F) ±2°C 100°C here in before ±2°C or ±2% whichever is greater
Repeatability	1% of reading or 0.1°C
Response time	500 mSec, 95% response
Spectral response	8-14 um
Emissivity	pre-set 0.95
Ambient operating range	32 to 104°F (0 to 40°C)
Relative humidity	10-95% RH non condensing, at upto 86°F (30°C)
Storage temperature	-4 to 140°F (-20 to 60°C) without battery
Weight/Dimensions	130g ;146 x 80 x 38mm
Power	2 x AAA batteries
Battery life (Alkaline)	Laser Models:12 hrs
Distance to Spot Size	12:1