

Assembly Guide



Bush
FURNITURE

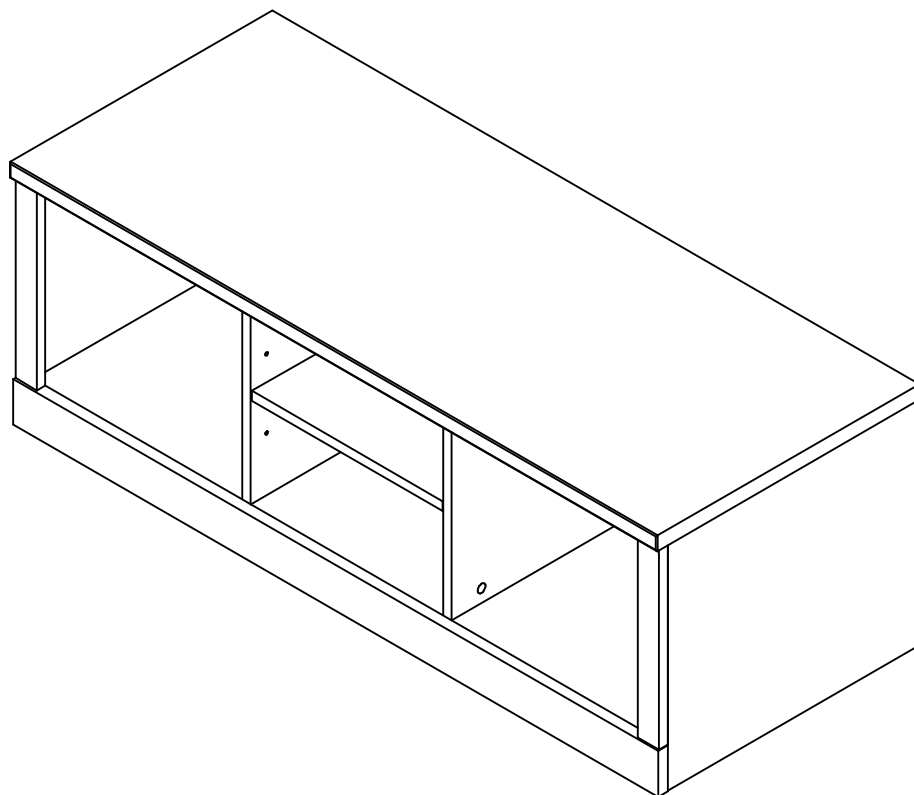


If you're having any difficulty during assembly of this product, don't hesitate to call us at **1-800-950-4782.**

Our customer service experts are trained to provide step-by-step instruction and can easily replace any missing or damaged parts.

Representatives are available Monday-Friday from 8:30 a.m. to 7:30 p.m. (ET)

48W Shoe Bench



Lot Code #

Instruction Sheet Number A215767

Keep manual for future reference.

For best results, keep these tips in mind:

- ① We know you want to finish this assembly as quickly as possible, but trust us: you'll have a better experience if you take it one step at a time.
- ② Give yourself some room to work near where you want the fully assembled product.
- ③ If your floor isn't carpeted, assemble this product on the empty carton to avoid scratching.
- ④ Do you have a friend who owes you a favor? Some steps may go a little easier with a second set of hands.

DOs

- ✔ Use a #2 Phillips head screwdriver (or other handheld tools as indicated)
- ✔ Wear safety glasses at all times during assembly
- ✔ Carefully follow the instructions in this guide and complete all steps in order
- ✔ Give us a call if you're having trouble with a particularly tricky step

DON'Ts

- ✘ We know power tools are quick and easy, but you shouldn't use them when assembling this product (unless otherwise specified)
- ✘ Never move your furniture with items inside or resting on the surface
- ✘ Do not attempt to use this product before all steps have been completed

Watch assembly videos right on your phone or computer!



Some steps include QR codes that link to helpful videos. Watch out for the icon below! Simply open up your smartphone camera to scan the code.

(Users of older smartphones may need to install a QR Reader.)

SCAN HERE



FOR VIDEOS

Or visit <https://bushfurniture.com/help-faq/#assembling>



IMPORTANT SAFETY INFORMATION



PLEASE READ WARNINGS

Improper use can cause safety hazards, or damage to your furniture and household items.

Warning	Do	Don't	Why it's important
Serious injury or death may occur.	<ul style="list-style-type: none">• Assemble following all instructions using all indicated parts and hardware provided.• Install tip-over restraint provided.• Install every indicated nail and/or screw.• Verify Furniture is stable on it's own.• Remove all items from shelves before moving or lifiting.• Only place hall tree against a permanent wall at least as tall as this product or place back-to-back with another hall tree of the same height.	<ul style="list-style-type: none">• Do not move unit when loaded.• Do not load with a television or other heavy equipment.• Do not exceed the maximum load limits stated in the instructions.• Do not allow children to stand, climb, or hang on furniture.	Improper assembly, use or loading can lead to product instability, tipover, or collapse.

IMPORTANT SAFETY INFORMATION



PLEASE READ WARNINGS

Improper use can cause safety hazards, or damage to your furniture and household items.

Advertencia	Hacer	No	Por qué es importante
<p>Pueden producirse lesiones graves o la muerte.</p>	<ul style="list-style-type: none">• Realice el montaje siguiendo todas las instrucciones y utilizando todas las piezas indicadas y los herrajes suministrados.• Instale el sistema de retención antivuelco suministrado.• Instale todos los clavos y/o tornillos indicados.• Compruebe que el mueble sea estable por sí mismo.• Retire todos los artículos de los estantes antes de desplazar o levantar el producto.• Coloque el árbol de pasillo sólo contra una pared permanente que sea al menos tan alta como este producto o colóquelo espalda con espalda con otro árbol de pasillo de la misma altura.	<ul style="list-style-type: none">• No mueva la unidad cuando esté cargada.• No cargue el mueble con un televisor u otro equipo pesado.• No supere los límites máximos de carga indicados en las instrucciones.• No permita que los niños se pongan de pie, trepen o se cuelguen de los muebles.	<p>El montaje, uso o carga inadecuados pueden provocar inestabilidad, vuelco o colapso del producto.</p>

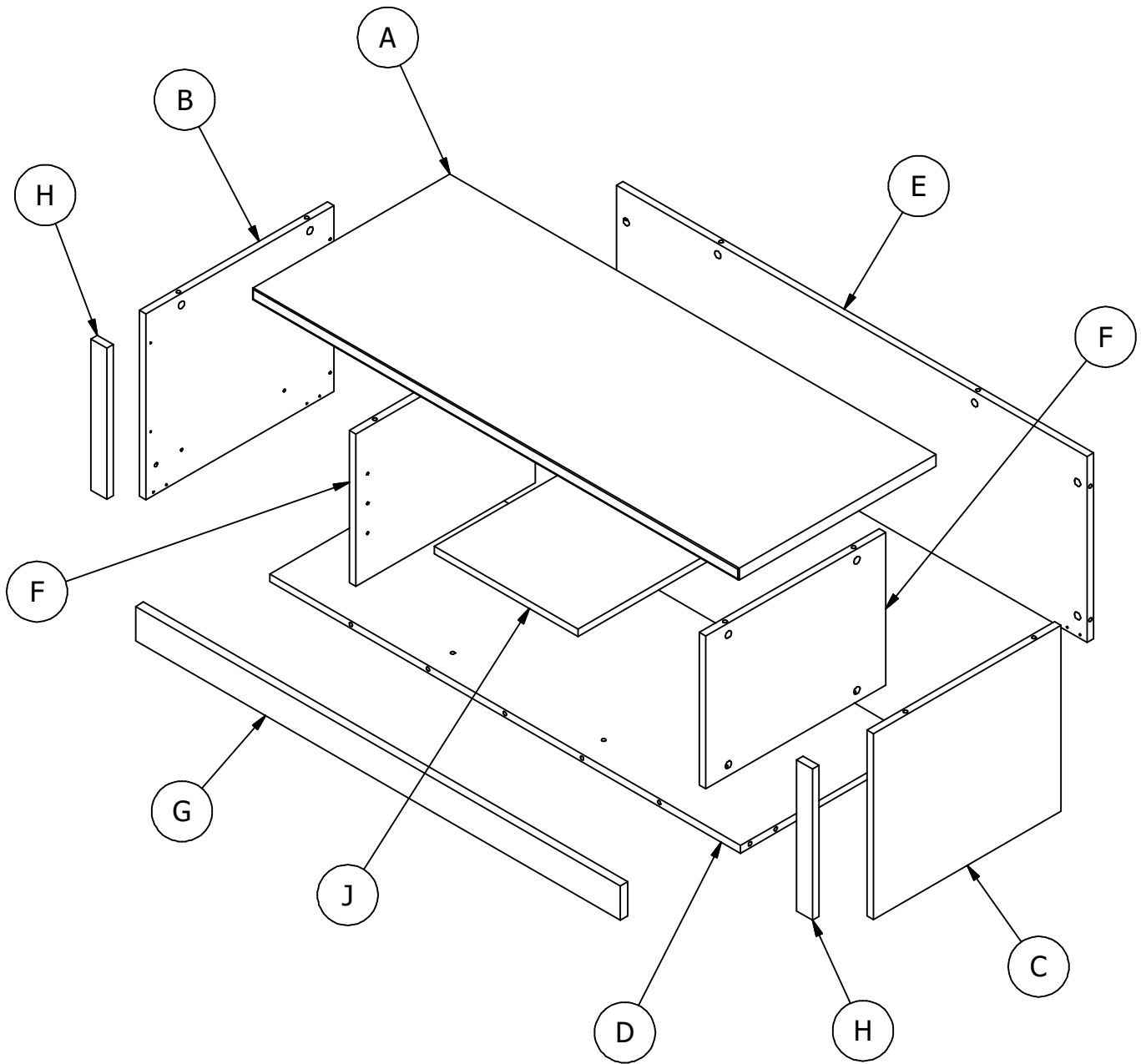
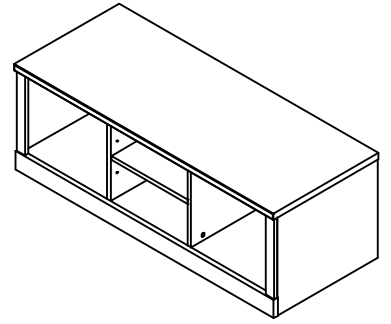
IMPORTANT SAFETY INFORMATION



PLEASE READ WARNINGS

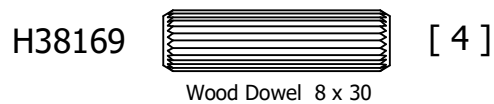
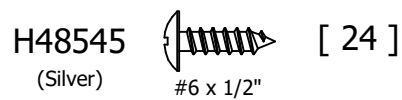
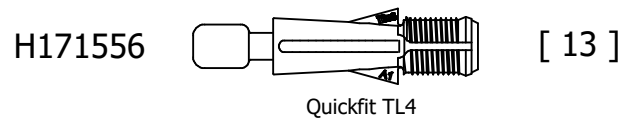
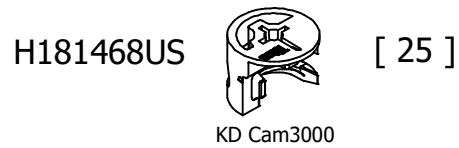
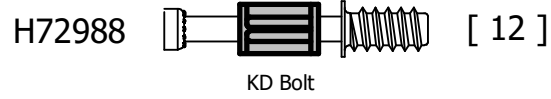
Improper use can cause safety hazards, or damage to your furniture and household items.

Avertissement	À faire	À ne pas faire	Pourquoi c'est important
Peut entraîner des blessures graves ou la mort.	<ul style="list-style-type: none">• Assembler en suivant toutes les instructions et en utilisant toutes les pièces et la quincaillerie incluses.• Installer le matériel de fixation mural inclus.• Installer tous les clous et/ou toutes les vis.• Assurez-vous que le meuble soit stable par lui-même.• Retirez tous les articles des tablettes avant de déplacer ou de soulever.• Placer le portemanteau contre un mur permanent au moins aussi haut que ce produit ou le placer dos à dos avec un autre portemanteau de la même hauteur.	<ul style="list-style-type: none">• Ne pas déplacer le meuble lorsqu'il est chargé.• Ne pas charger le meuble avec un téléviseur ou tout autre équipement lourd.• Ne pas dépasser les limites de poids maximales indiquées dans les instructions.• Ne pas laisser les enfants se tenir sur les meubles, y grimper ou s'y suspendre.	Un assemblage, une utilisation ou un chargement incorrects peuvent entraîner l'instabilité, le basculement ou l'effondrement du produit.



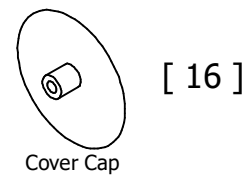
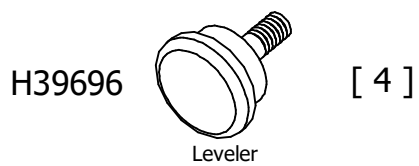
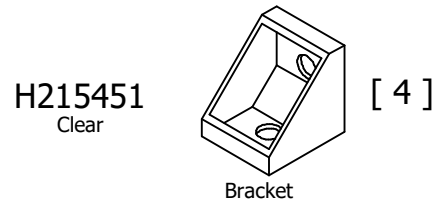
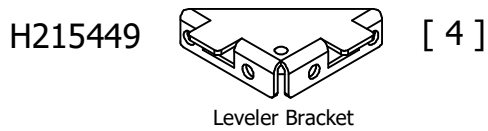
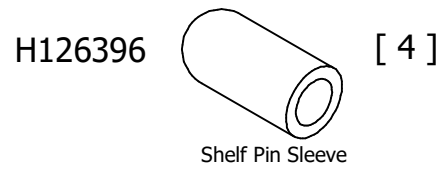
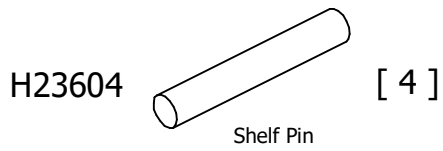
Have an assembly question or need a replacement part? Just call
1-800-950-4782, we are here to help.

Fasteners are shown actual size.



Have an assembly question or need a replacement part? Just call
1-800-950-4782, we are here to help.

Hardware not to scale.



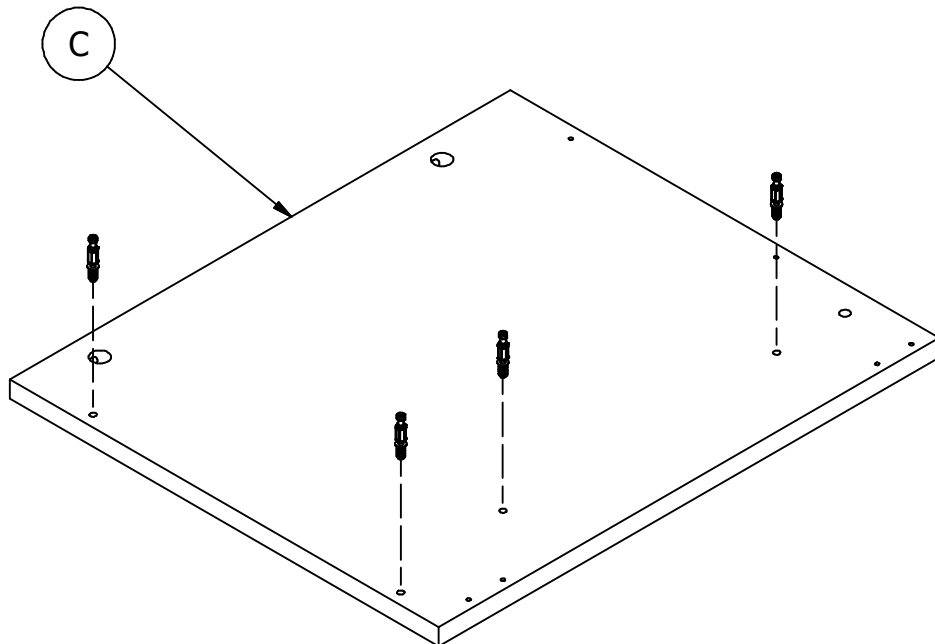
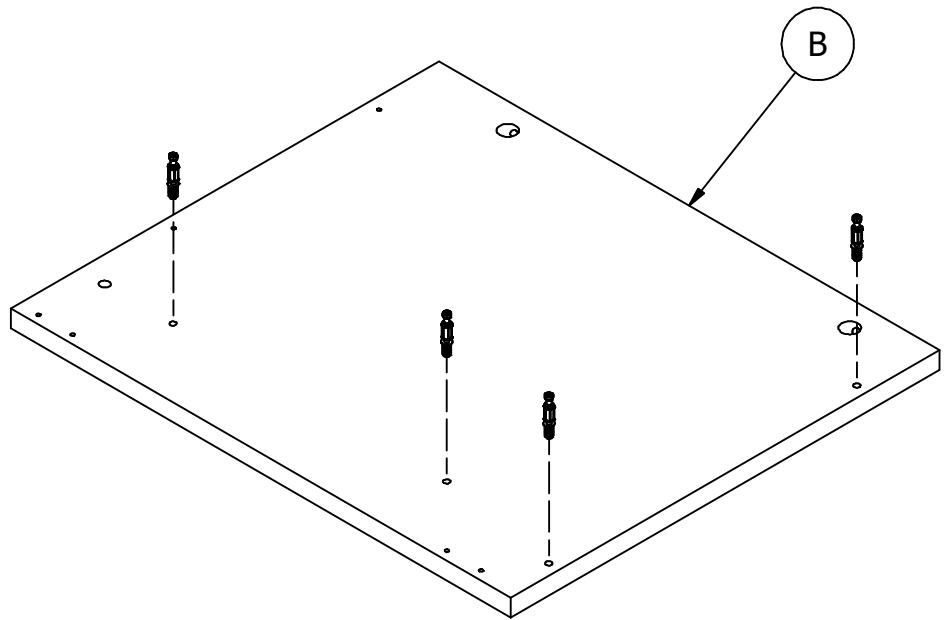
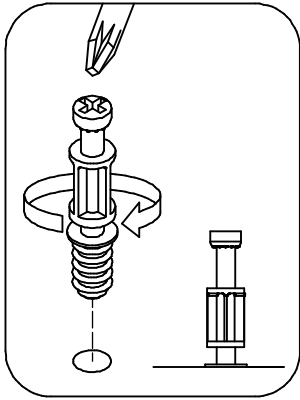
Have an assembly question or need a replacement part? Just call
1-800-950-4782, we are here to help.

STEP 1

Prepare Panels

A215767

H72988 [8]
KD Bolt



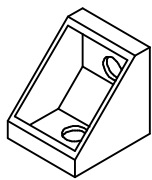
Have an assembly question or need a replacement part? Just call
1-800-950-4782, we are here to help.

STEP 2

Prepare Panels

A215767

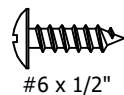
H215451
Clear



[4]

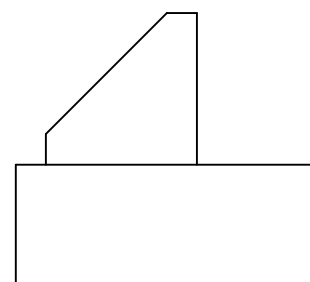
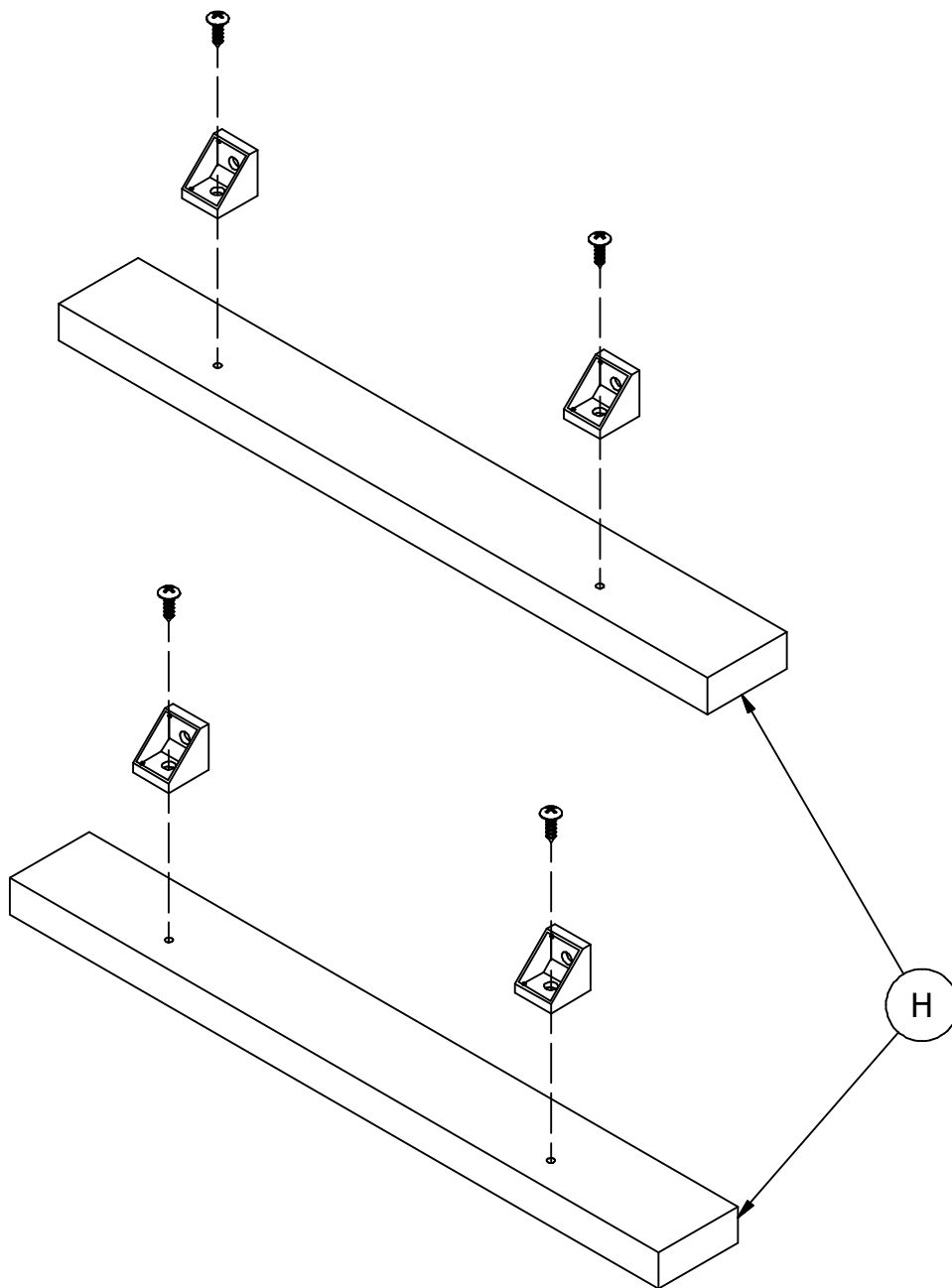
Bracket

H48545
(Silver)



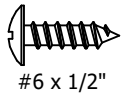
[4]

#6 x 1/2"

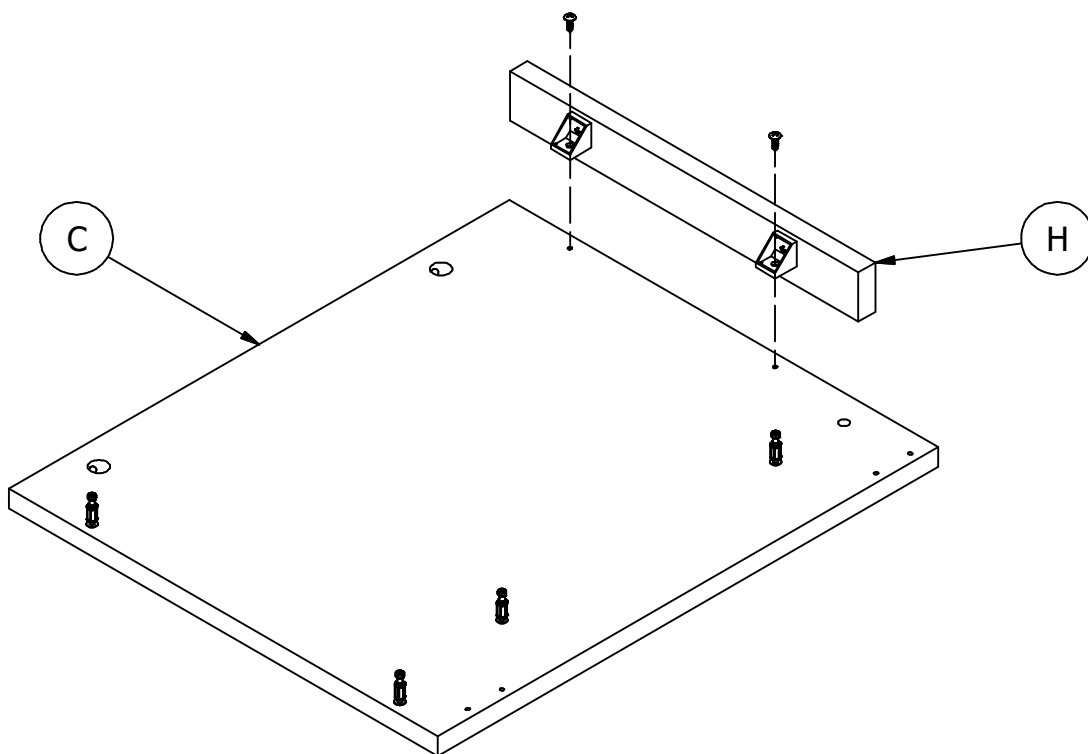
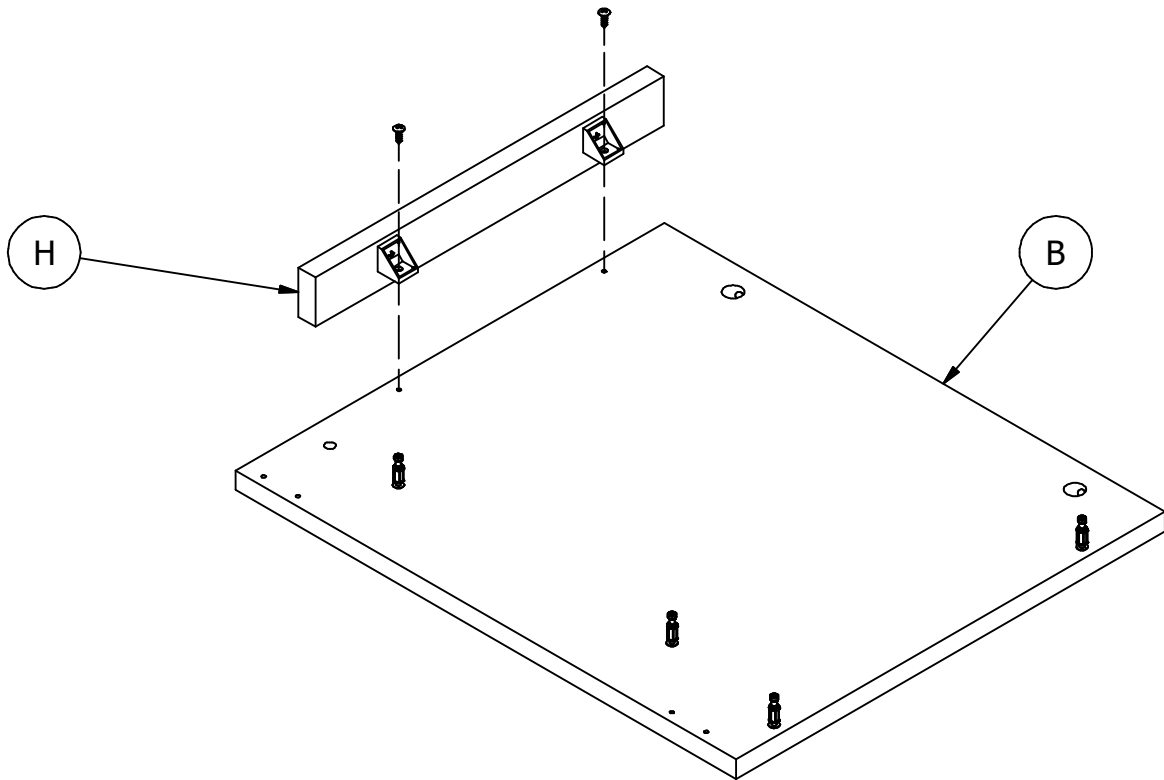


Have an assembly question or need a replacement part? Just call
1-800-950-4782, we are here to help.

H48545
(Silver)



[4]



Have an assembly question or need a replacement part? Just call
1-800-950-4782, we are here to help.

STEP 4

Assemble Panels

A215767

Scan QR Code to Watch Video on:



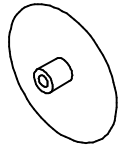
How to Tighten KD Cams

H181468US



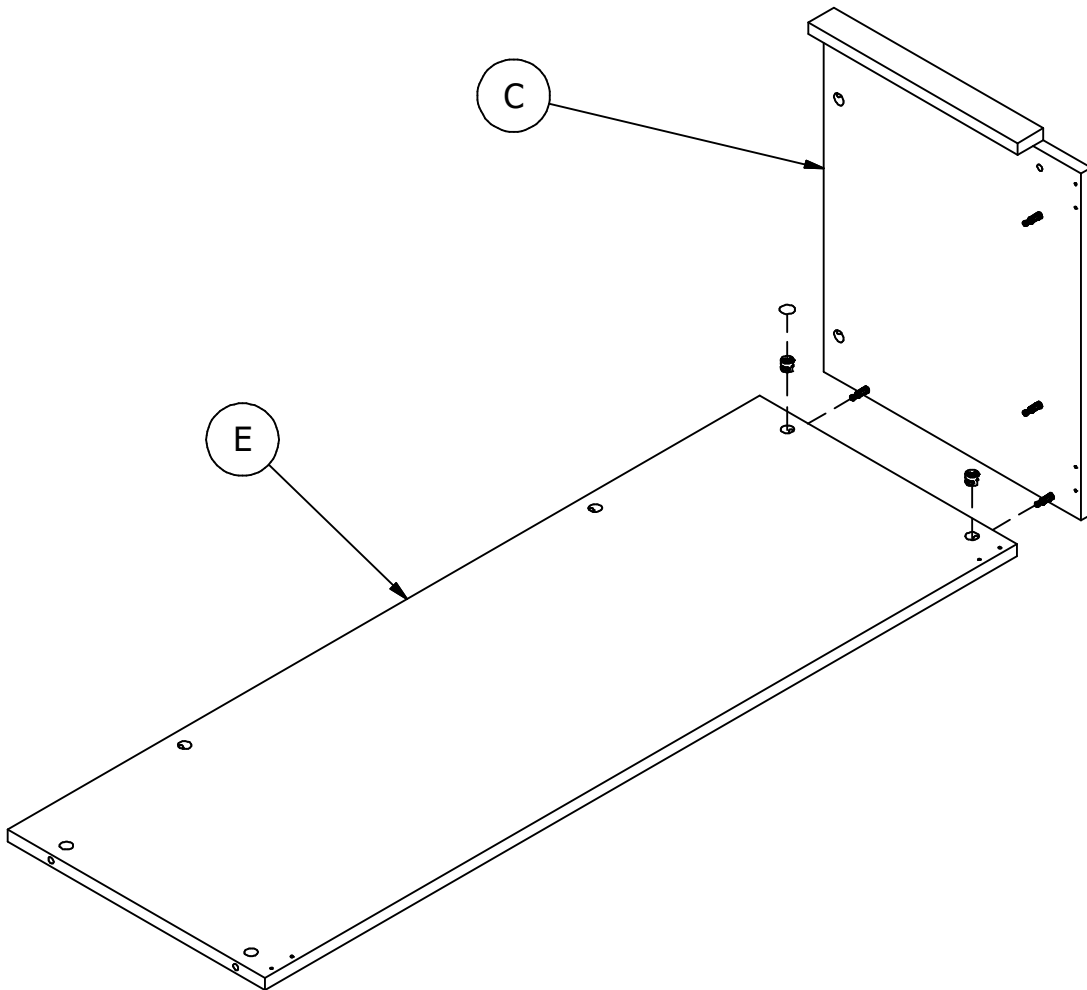
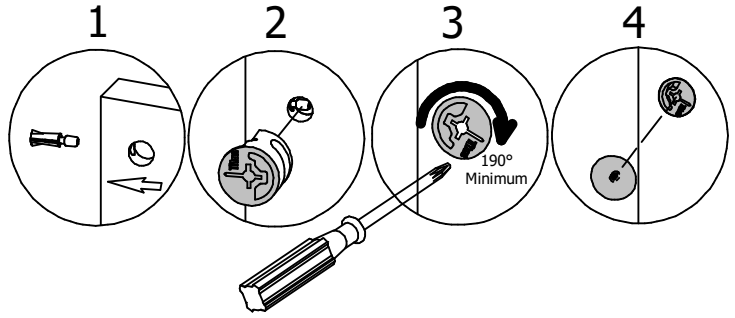
KD Cam3000

[2]



Cover Cap

[1]



Have an assembly question or need a replacement part? Just call **1-800-950-4782**, we are here to help.

H171556



[4]

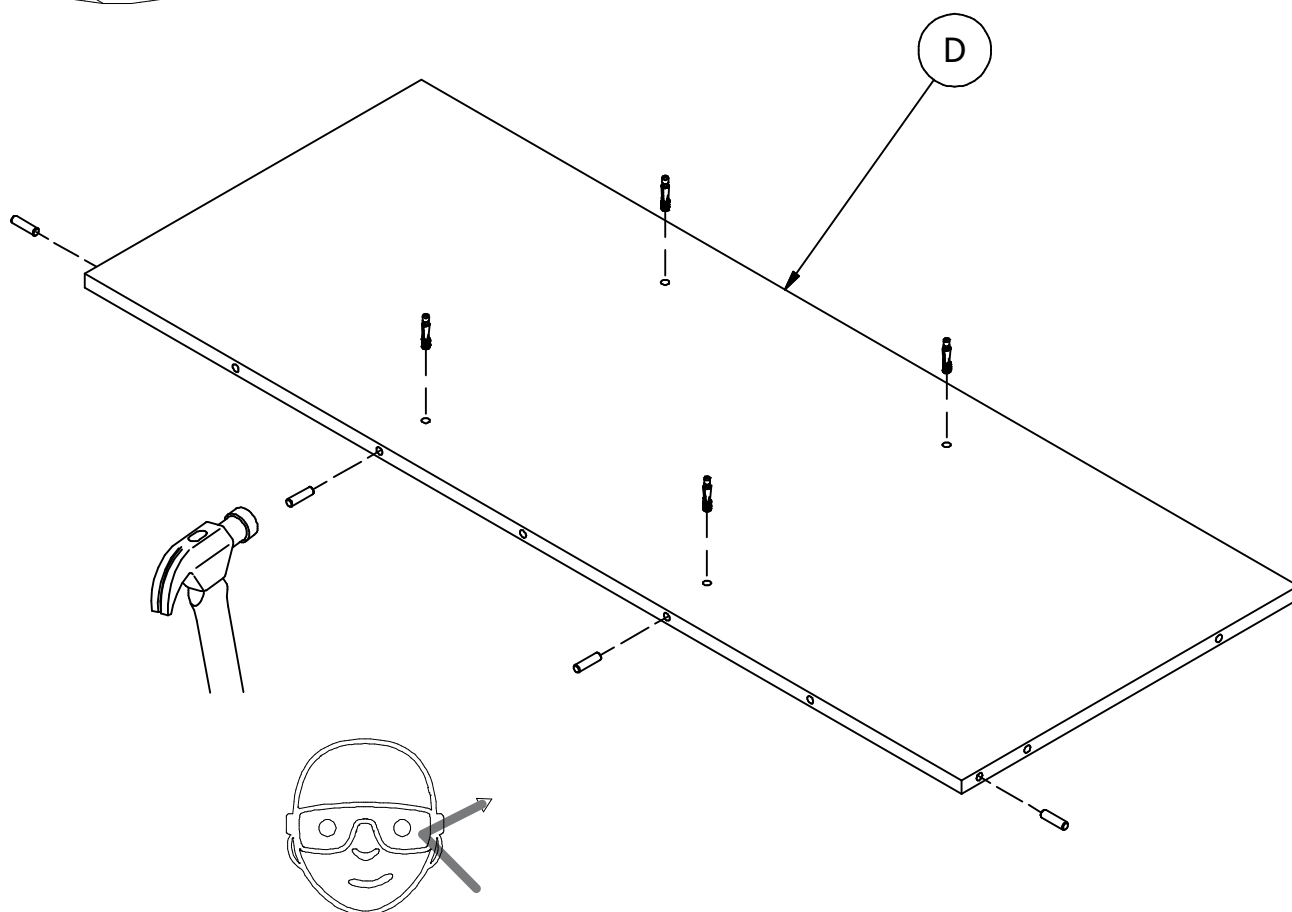
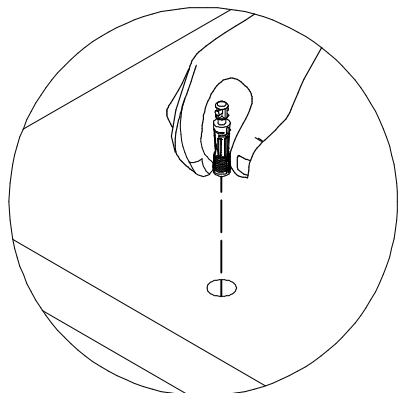
Quickfit TL4

H38169



[4]

Wood Dowel 8 x 30



Safety glasses
Gafas de seguridad
Lunettes de protection

Have an assembly question or need a replacement part? Just call
1-800-950-4782, we are here to help.

STEP 6

Assemble Panels

A215767

Scan QR Code to Watch Video on:



How to Tighten KD Cams

H181468US



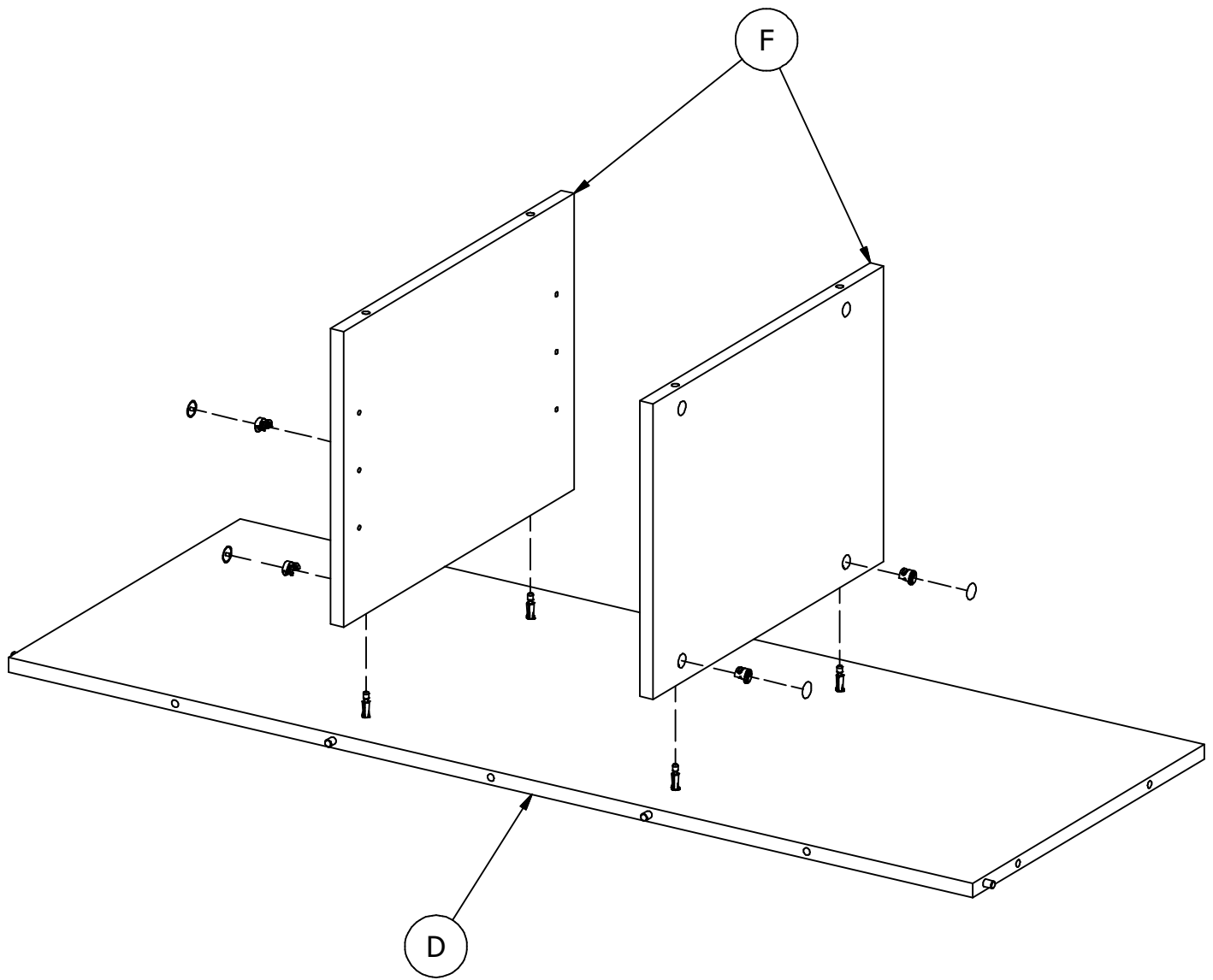
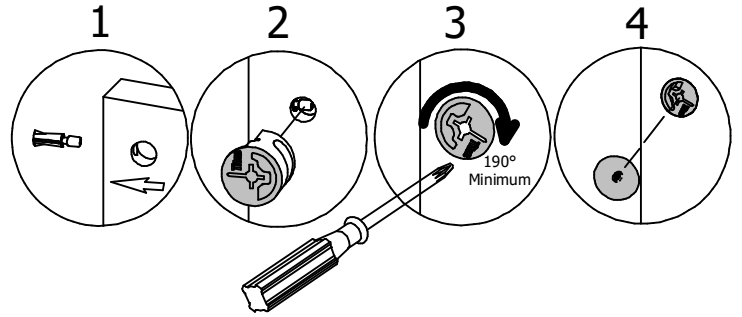
KD Cam3000

[4]



Cover Cap

[4]



Have an assembly question or need a replacement part? Just call **1-800-950-4782**, we are here to help.

STEP 7

Assemble Panels

A215767

Scan QR Code to Watch Video on:

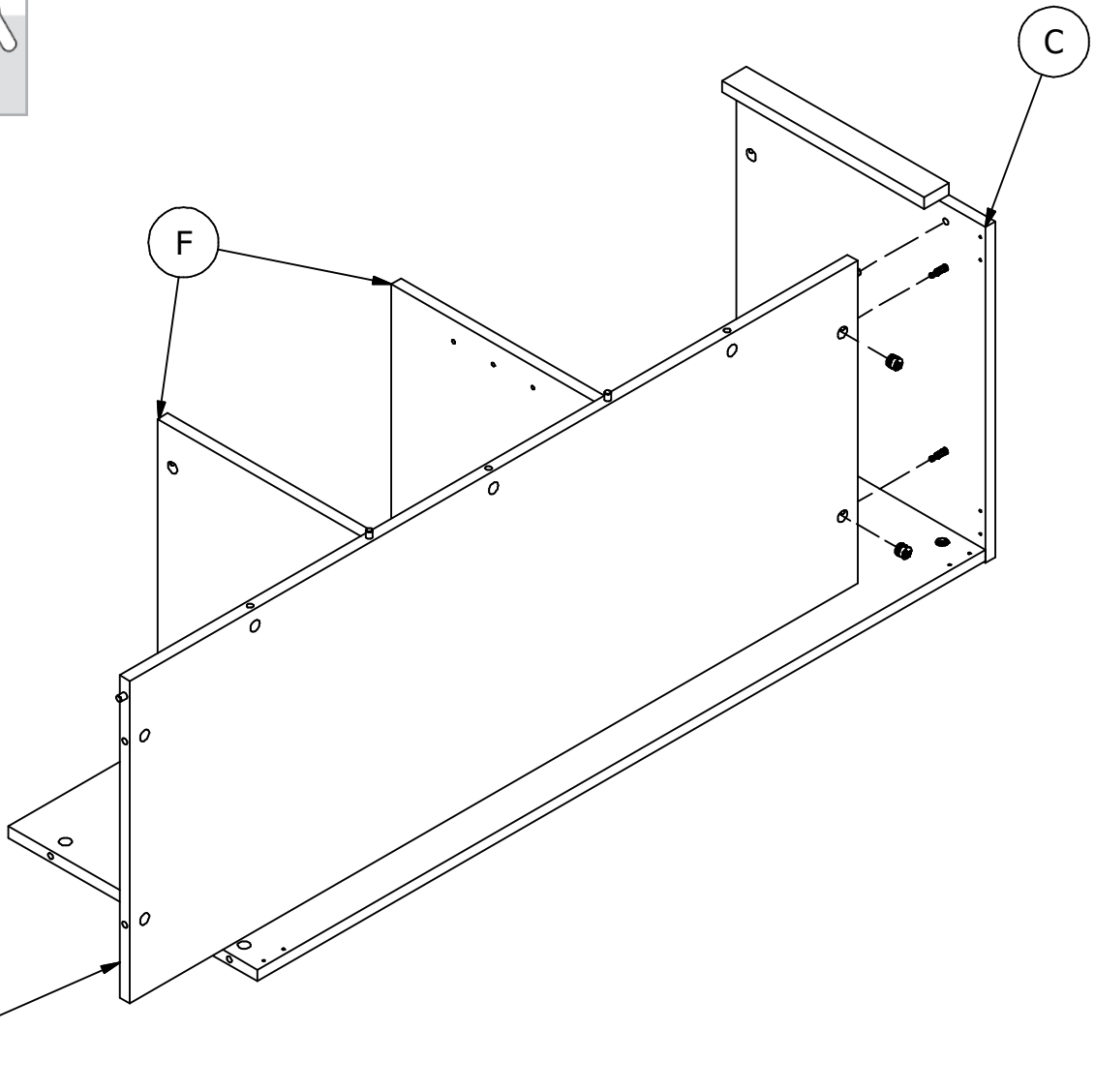
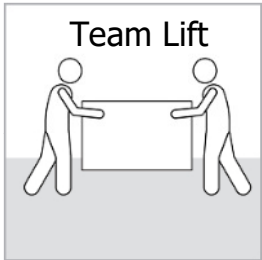
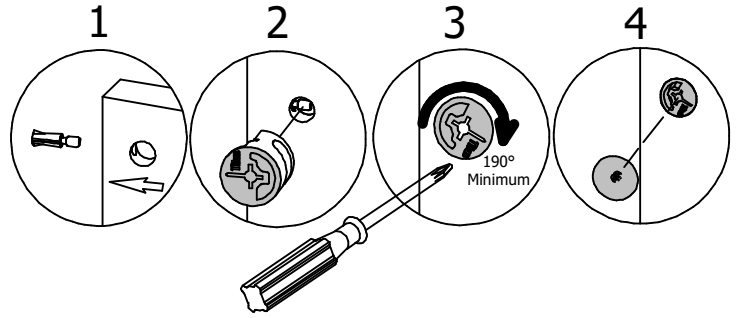


How to Tighten KD Cams

H181468US



[2]



Have an assembly question or need a replacement part? Just call **1-800-950-4782**, we are here to help.

STEP 8

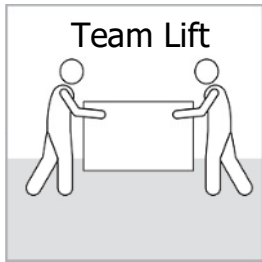
Assemble Panels

A215767

Scan QR Code to Watch Video on:



How to Tighten KD Cams



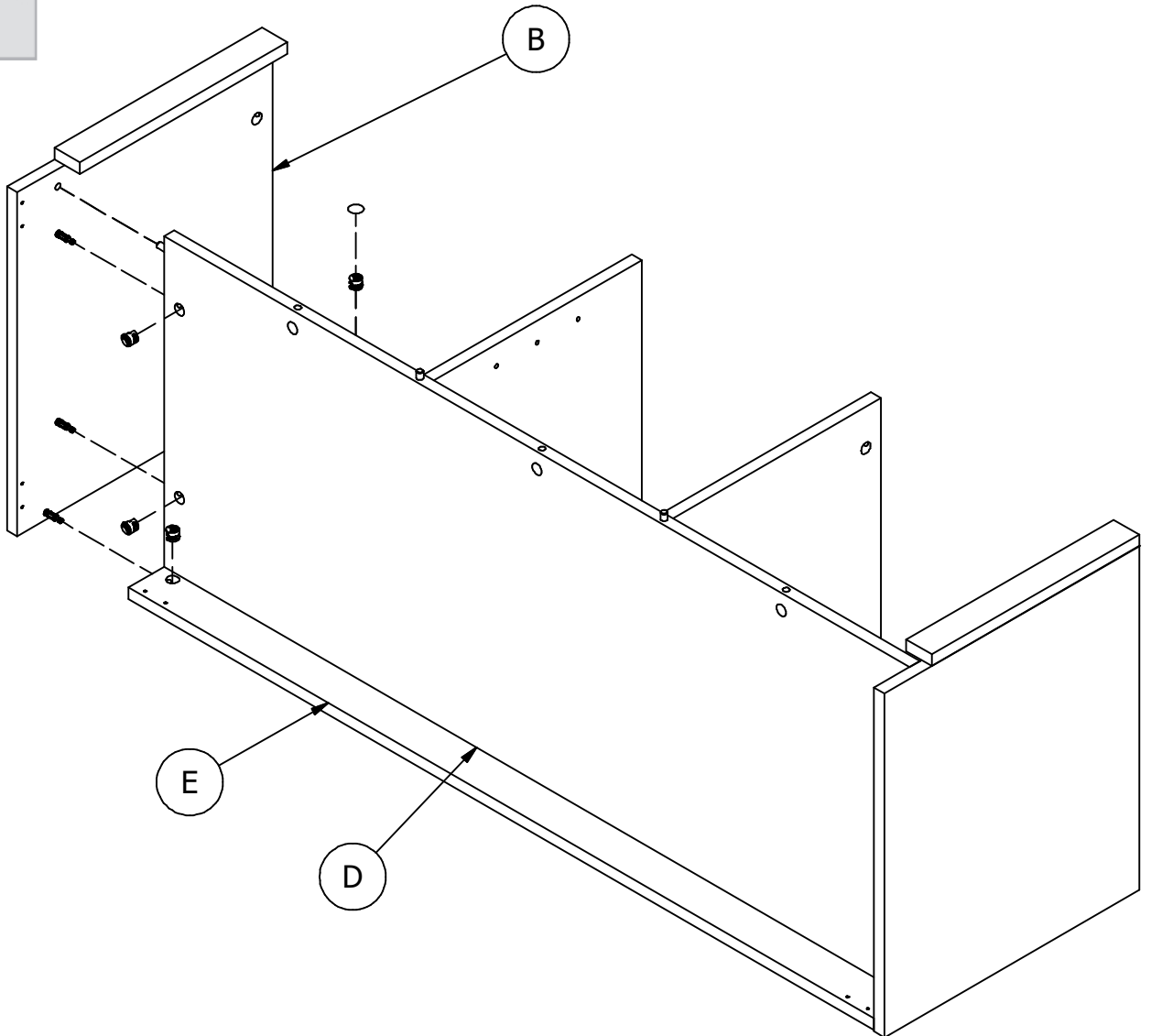
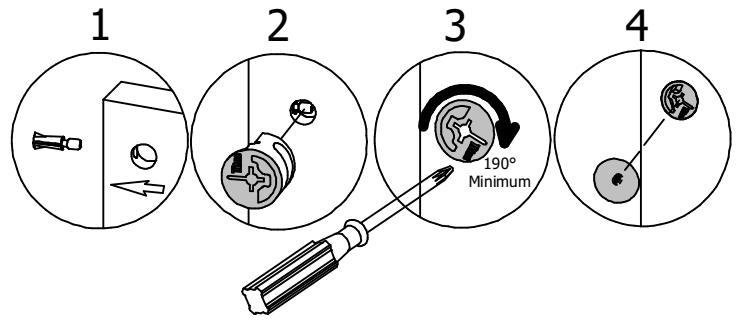
H181468US



[4]

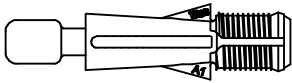


[1]



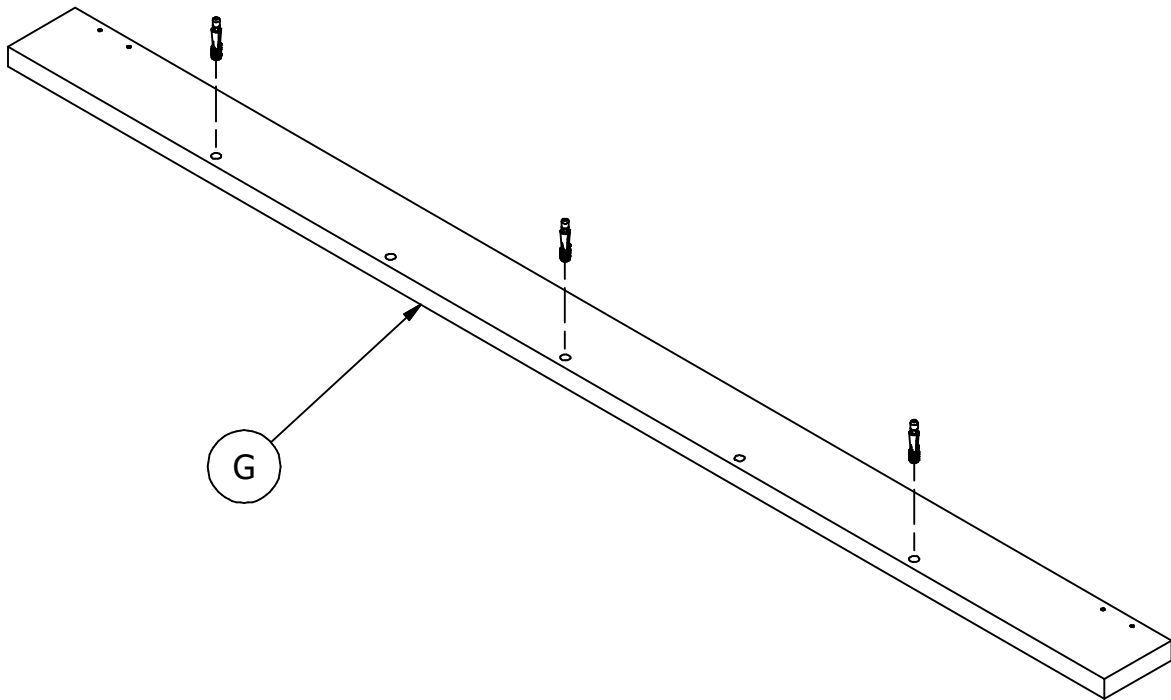
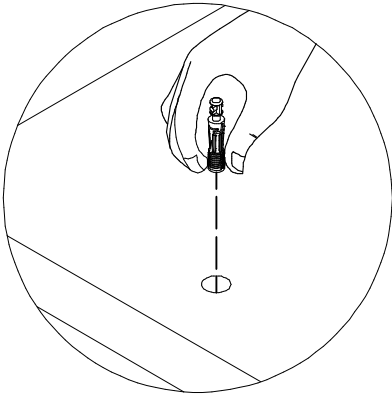
Have an assembly question or need a replacement part? Just call **1-800-950-4782**, we are here to help.

H171556



[3]

Quickfit TL4

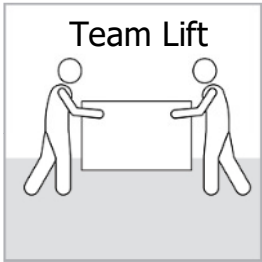


Have an assembly question or need a replacement part? Just call **1-800-950-4782**, we are here to help.

Scan QR Code to Watch Video on:



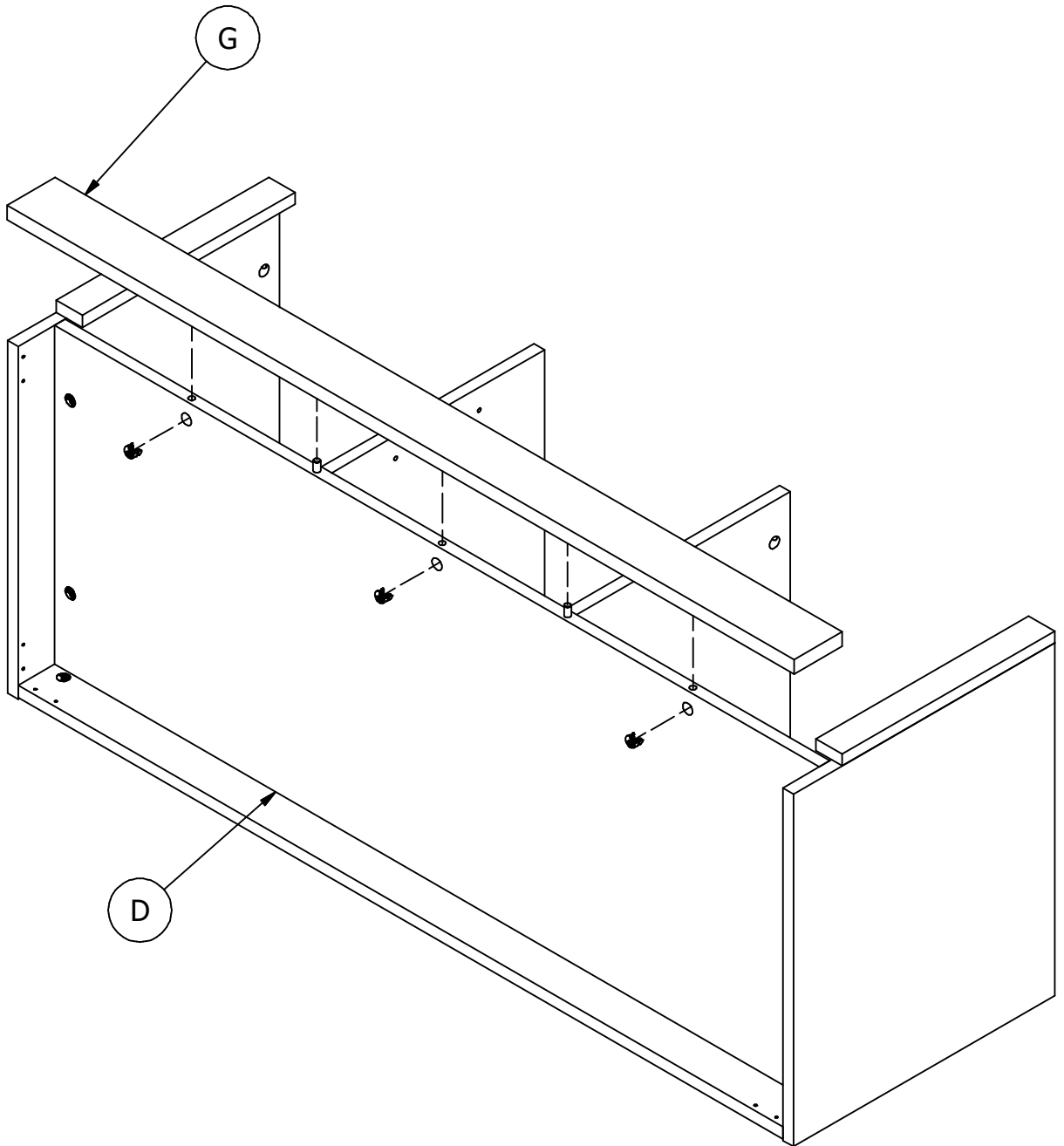
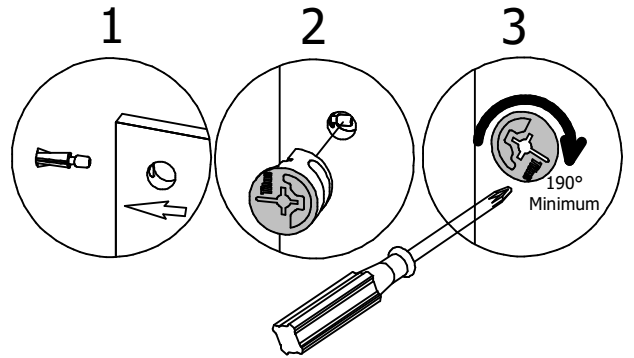
How to Tighten KD Cams



H181468US



[3]

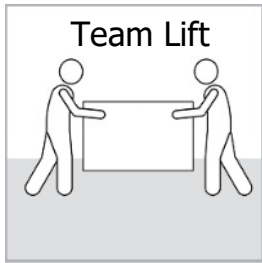


Have an assembly question or need a replacement part? Just call **1-800-950-4782**, we are here to help.

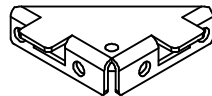
STEP 11

Install Hardware

A215767



H215449

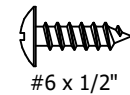


[4]

Leveler Bracket

H48545

(Silver)



[16]

#6 x 1/2"

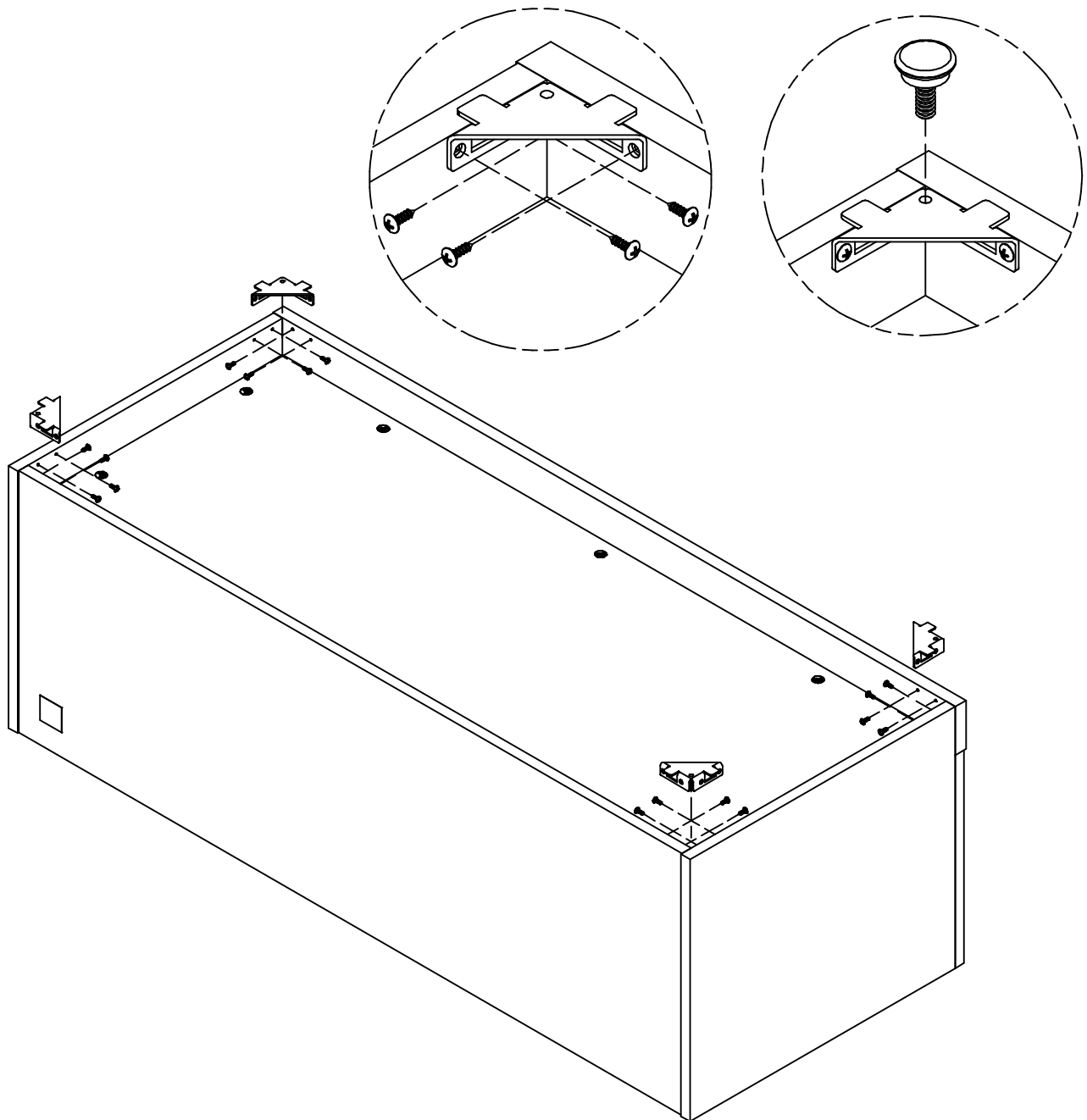
H39696



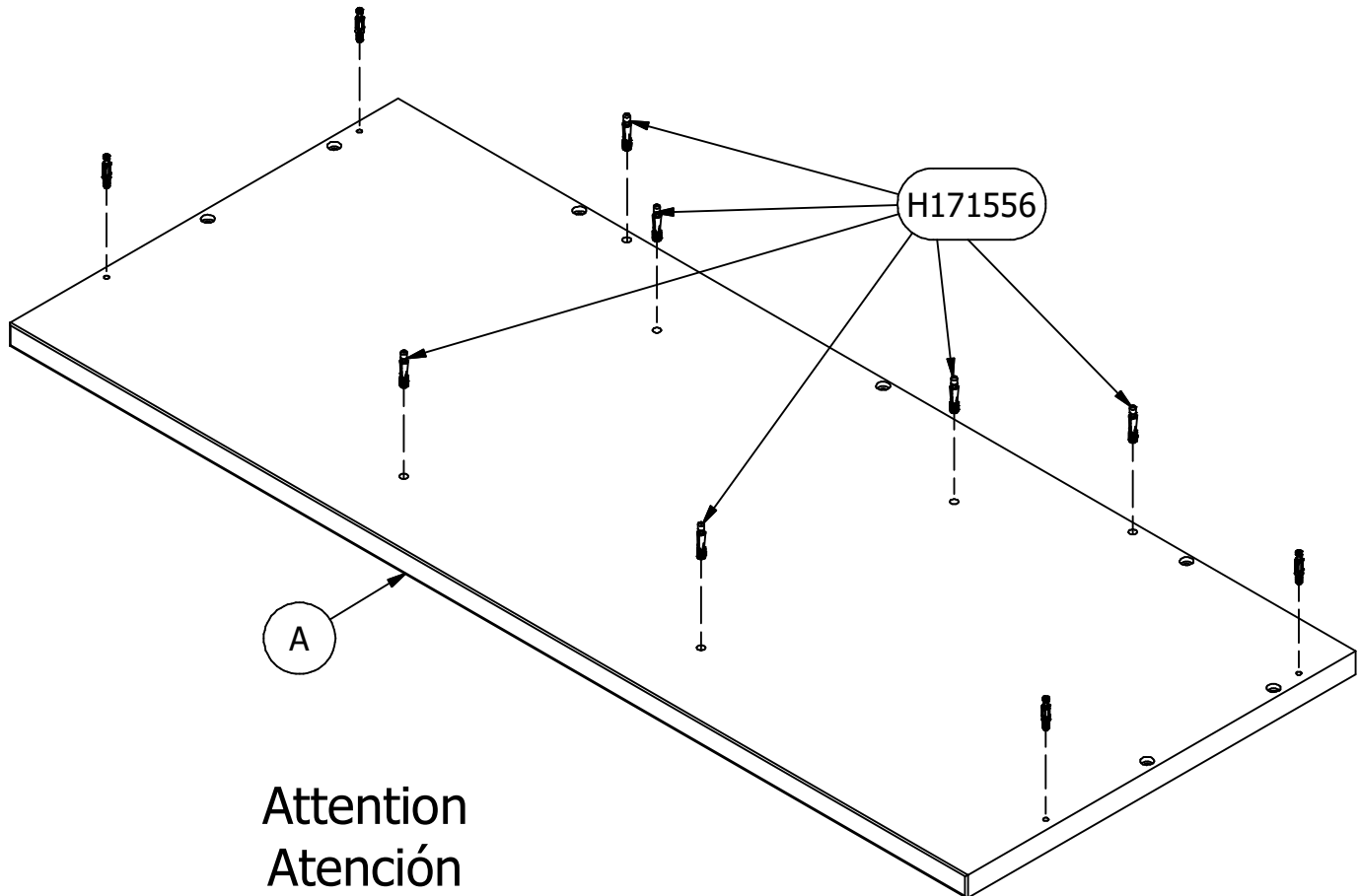
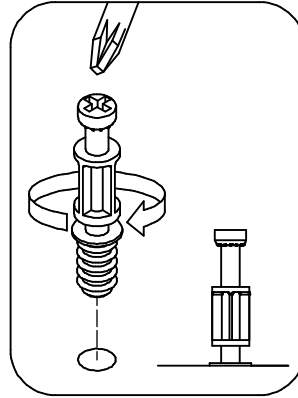
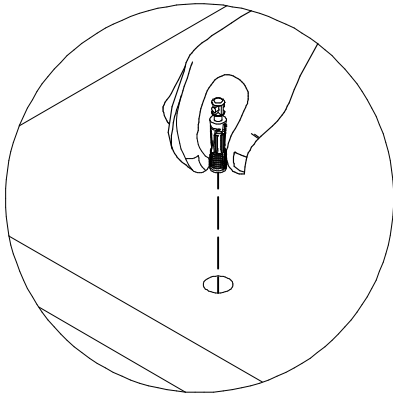
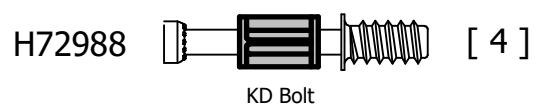
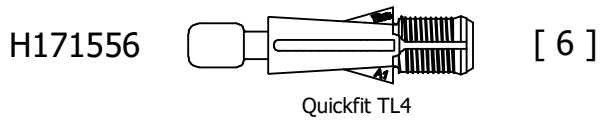
[4]

Leveler

4X



Have an assembly question or need a replacement part? Just call
1-800-950-4782, we are here to help.



Attention
Atención
Attention

Assemble (HHH148xx) before proceeding.
Montar (HHH148xx) antes de proceder.
Assembler (HHH148xx) avant de procéder.

Have an assembly question or need a replacement part? Just call
1-800-950-4782, we are here to help.

STEP 13

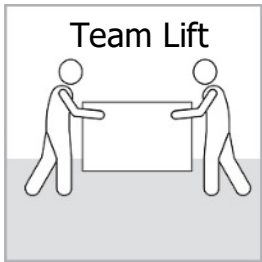
Assemble Panels

A215767

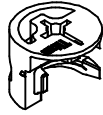
Scan QR Code to Watch Video on:



How to Tighten KD Cams

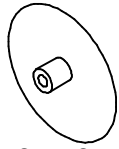
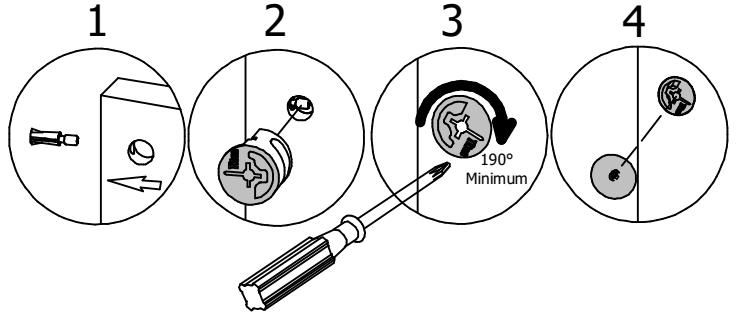


H181468US



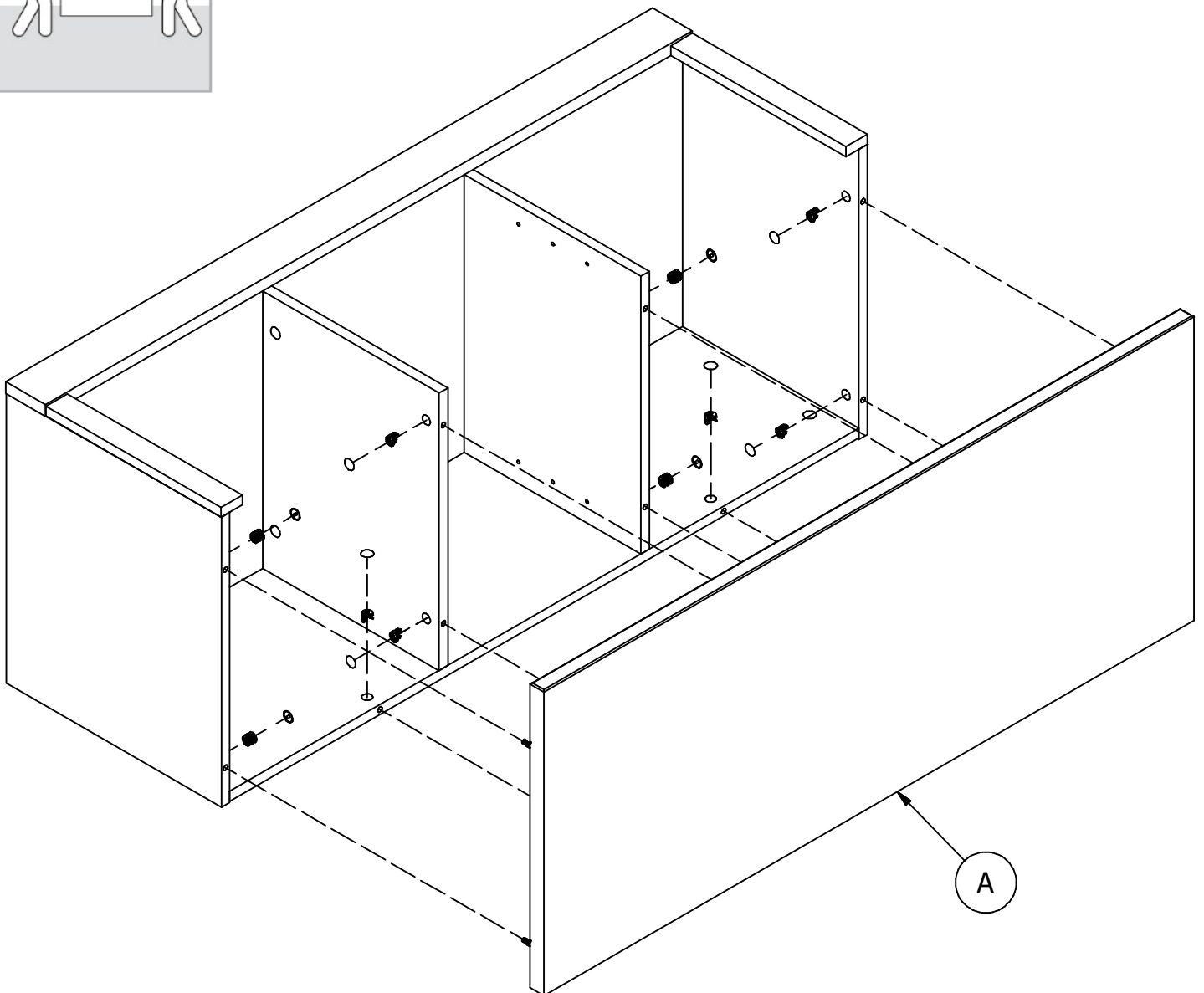
KD Cam3000

[10]

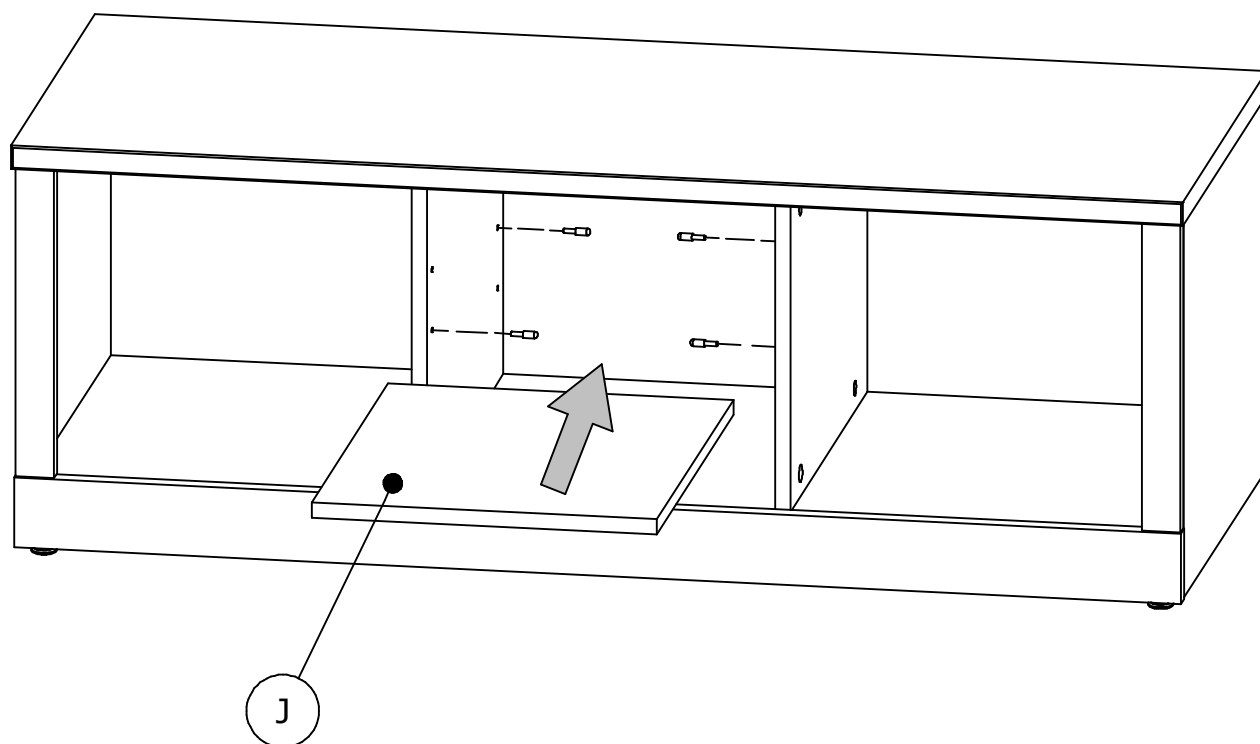
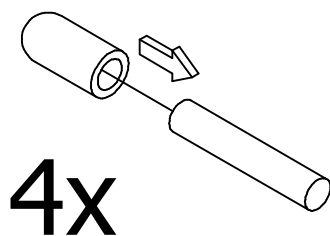
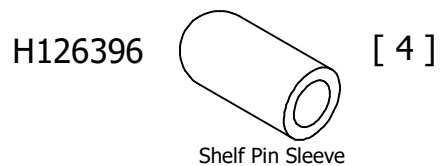
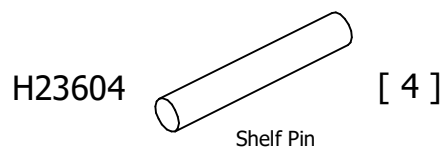


Cover Cap

[10]



Have an assembly question or need a replacement part? Just call **1-800-950-4782**, we are here to help.



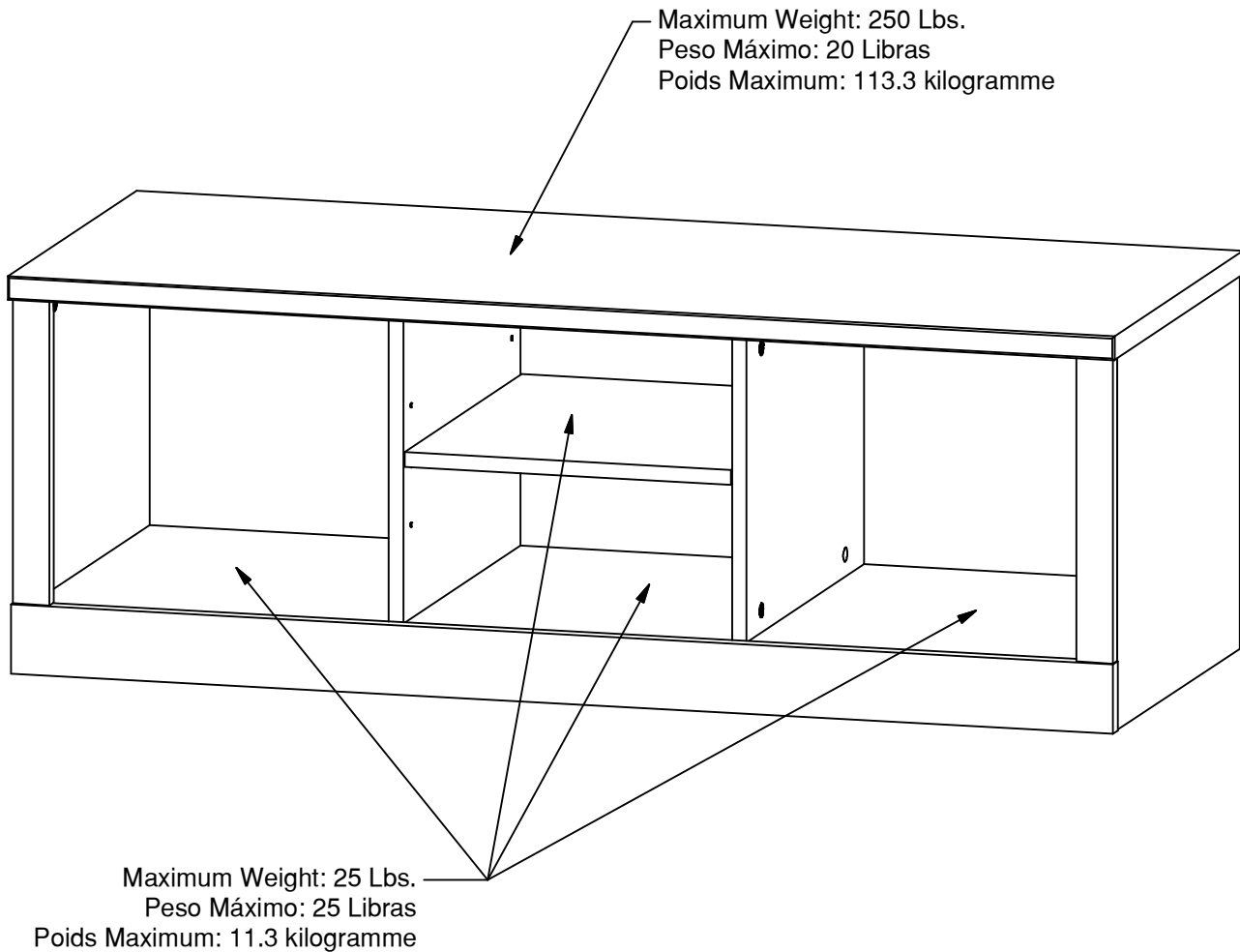
Have an assembly question or need a replacement part? Just call
1-800-950-4782, we are here to help.

Scan QR Code to Watch Video on:



How to Clean the Surface

Gently clean surfaces with a damp sponge eraser.



Congratulations! You are all done. If you have any questions or concerns, please call.

Have an assembly question or need a replacement part? Just call **1-800-950-4782**, we are here to help.

HHS348WH		
LABEL CODE	PART NUMBER	QTY
A	W215757	1
B	W215758	1
C	W215759	1
D	W215760	1
E	W215761	1
F	W215762	2
G	W215763	1
H	W215764	2
J	W215765	1

H73619



[16]

Cover Cap