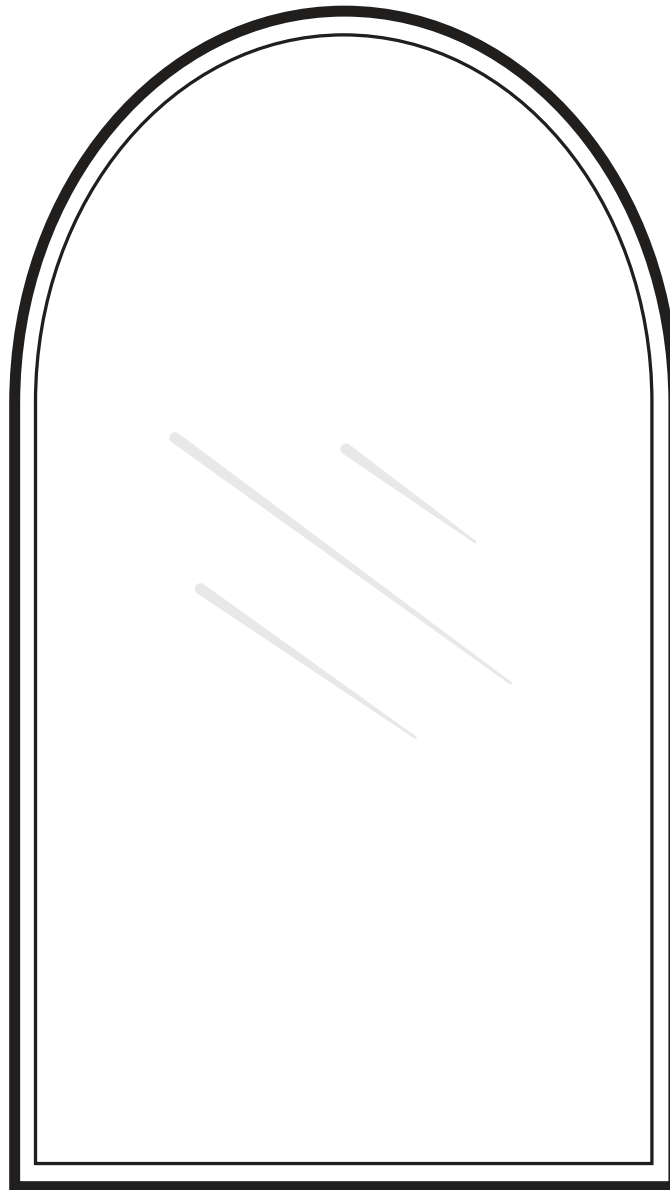


# Bathtub Door

## INSTALLATION INSTRUCTIONS

SM-TD9001





## PRIOR TO INSTALLATION:

- Inspect product to ensure no damages have occurred while in shipping.
- Observe all plumbing and building codes in accordance with your state and local requirements.
- All dimensions are nominal! Be sure to measure your bathtub door prior to installation.
- The step-by-step guidelines in the installation instructions are a general reference. Should there be any discrepancies, Swiss Madison cannot be held liable. It is recommended to install all Swiss Madison products by hiring a licensed professional.
- Read installation and maintenance instructions thoroughly before installing. Be sure to use proper tools and always wear proper personal safety accessories for your protection.

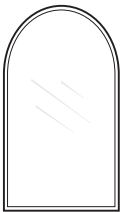
## QUESTIONS OR CONCERNS?

Please contact us:

1-434-623-4766

[info@swissmadison.com](mailto:info@swissmadison.com)

## INCLUDED PARTS:



Bathtub Door

## SUGGESTED TOOLS & MATERIALS:



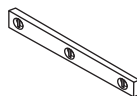
Safety Glasses



Gloves



Drop Cloth



Level



Drill



Silicone

## PARTS FOR REFERENCE:

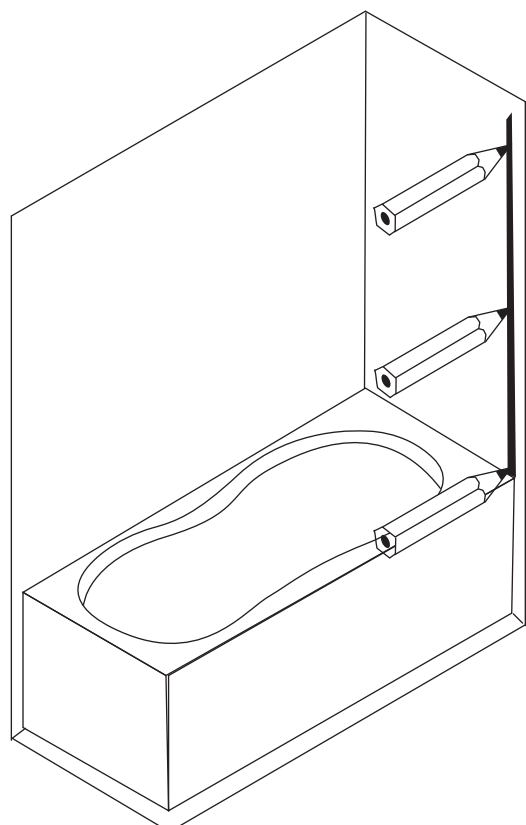
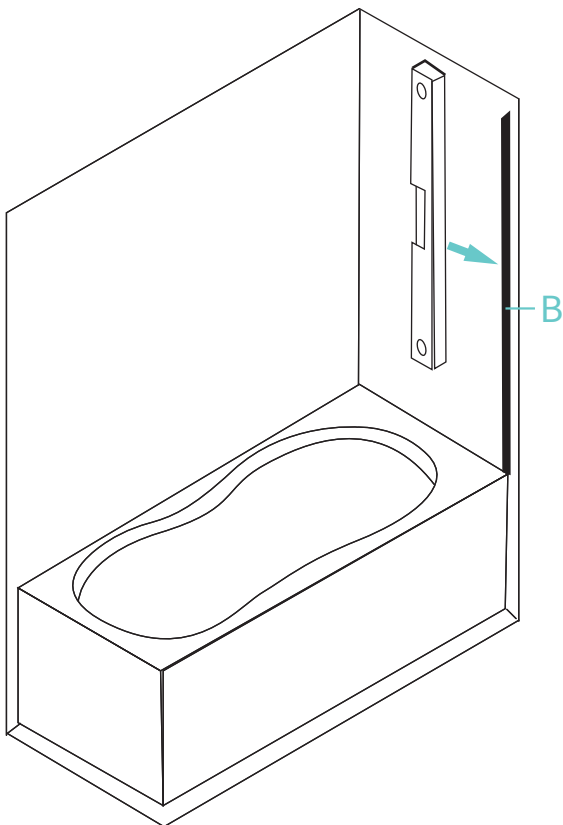
- A. Framed glass panel
- B. Aluminum channel for wall 1273 mm
- C. Aluminum channel for base 836 mm
- D. Screws 4 mm x 40 mm (5)
- E. Plastic anchors 6 mm (5)
- F. U-channel screws 3.5 mm (2)
- G. 3.5 mm screw washers (2)
- H. 3.5 mm cover caps (2)
- I. 3 mm drill bit (1)

**NOTE: THIS MODEL IS DESIGNED FOR REVERSIBLE INSTALLATION.  
THE FOLLOWING INSTALLATION GUIDE CAN BE USED FOR RIGHT OR LEFT WALL INSTALLATION.**

## INSTALLATION:

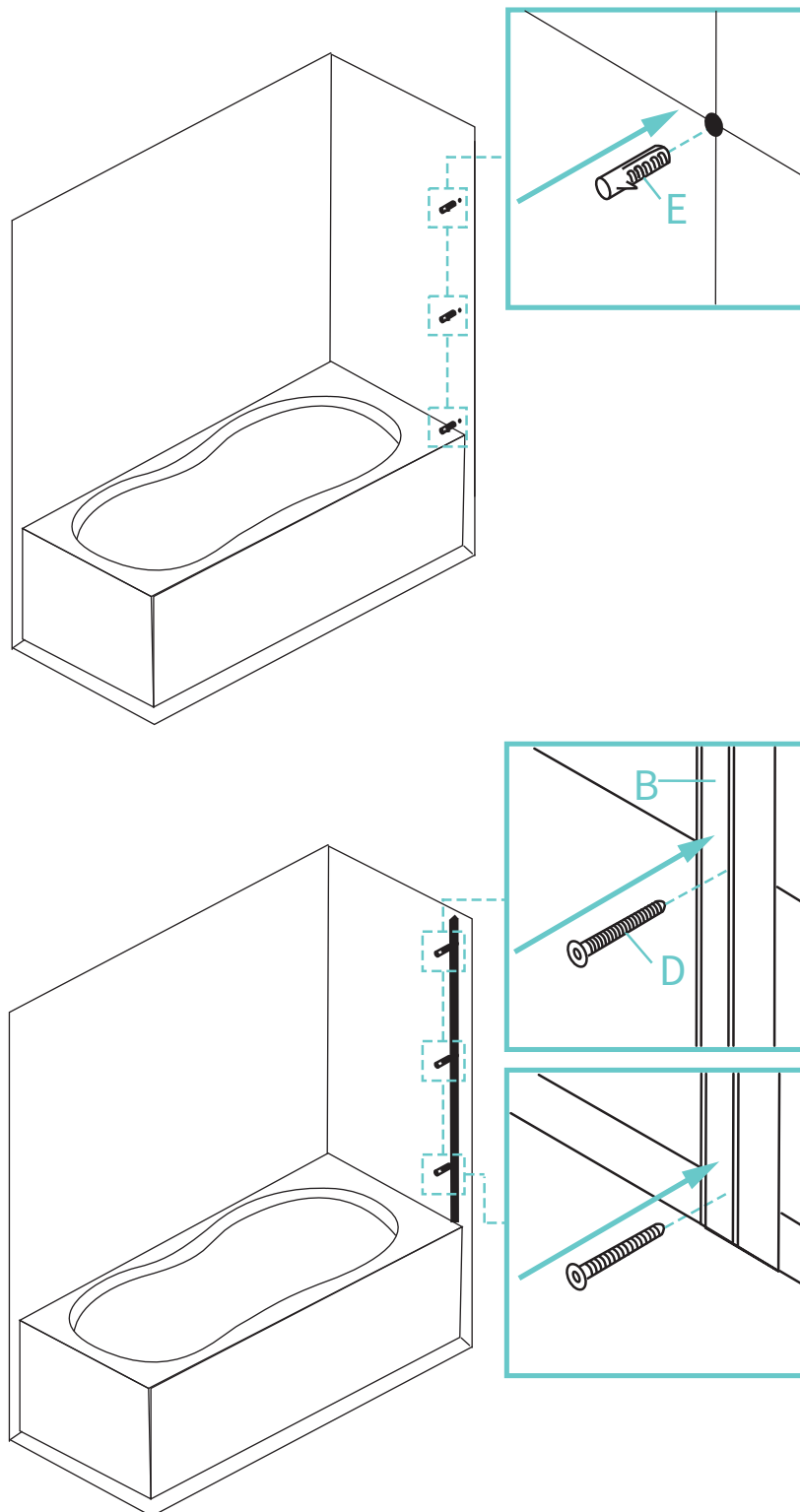
### 1 Prepare Bathtub Enclosure Surface

- Clean the walls, and the U-channels with a soft cloth.
- Place the vertical U-channel (B) at the desired location on the wall. Using a level, align the U-channel and mark the pilot holes at the pre-drilled locations.



## 2 Install the Vertical U-Channel

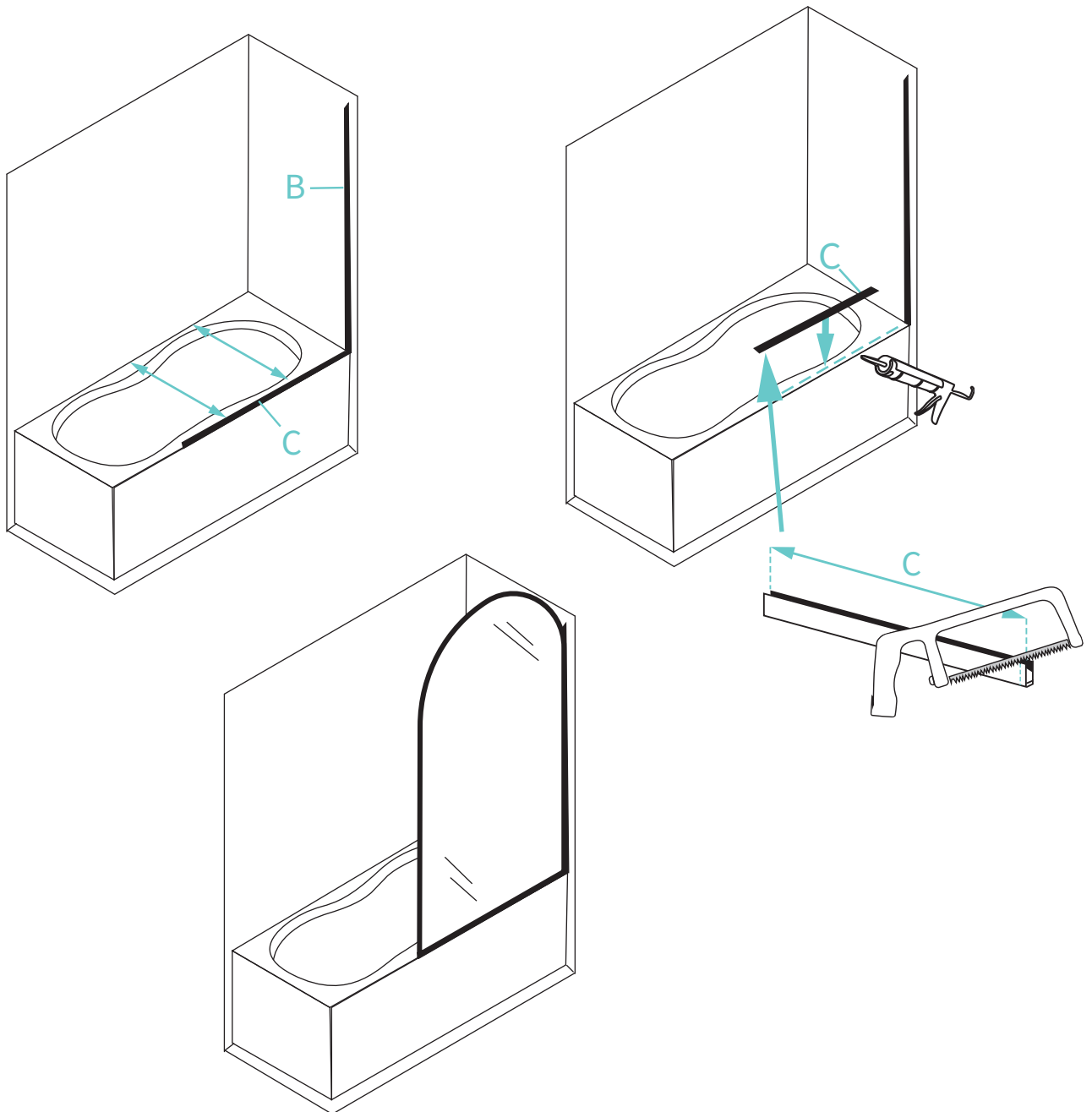
- Remove the channel (B) and drill the pre-marked pilot holes.
- Insert provided plastic anchors (E).
- Place the channel back onto the wall and secure using three provided screws (D).



### 3 Install the Bottom U-Channel

- Place the bottom channel (C) on the bathtubs surface and make sure the corner point fits with the installed vertical u-channel (B).
- Measure the distance from the two pre-drilled holes to the back wall to ensure they are the same distance.
- Mark the pilot holes on the base surface.
- Remove the channel (C) and drill the pre-marked pilot holes.
- After holes are drilled, apply waterproof epoxy (not included) to the bottom of the u-channel and place the channel back onto the base and secure using two provided screws (D).

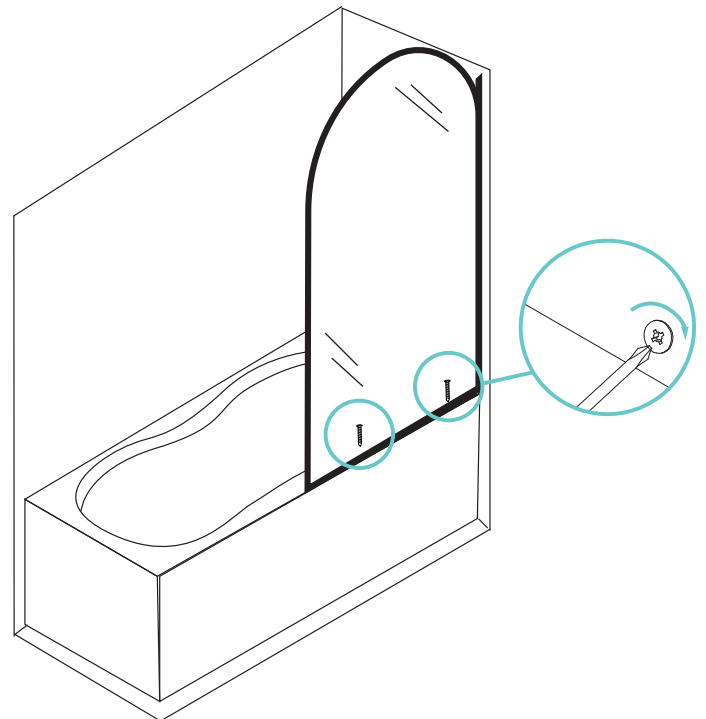
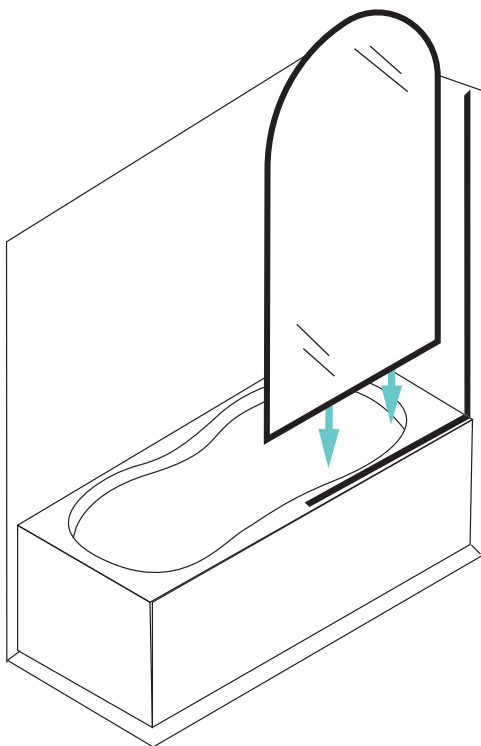
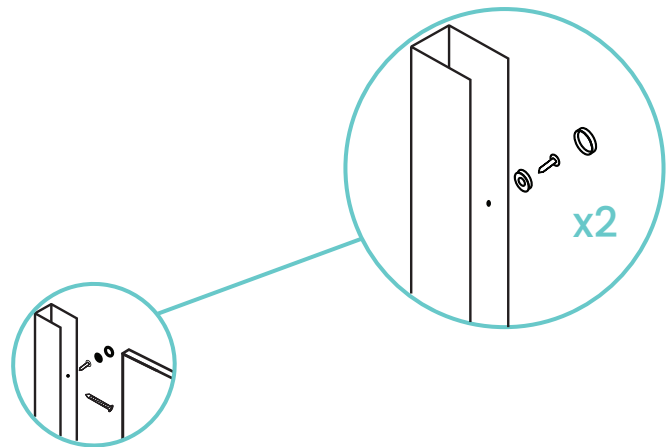
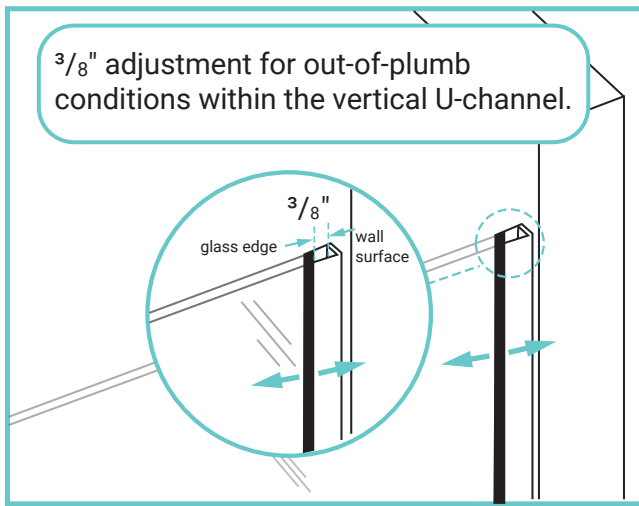
**NOTE:** This bottom u-channel may be cut to fit out-of-plumb adjustments on the vertical u-channel.



## 4 Install the Glass Panel

**NOTE:** Insert glass with “CLYNN” nano coating sticker facing inside the shower or bath enclosure.

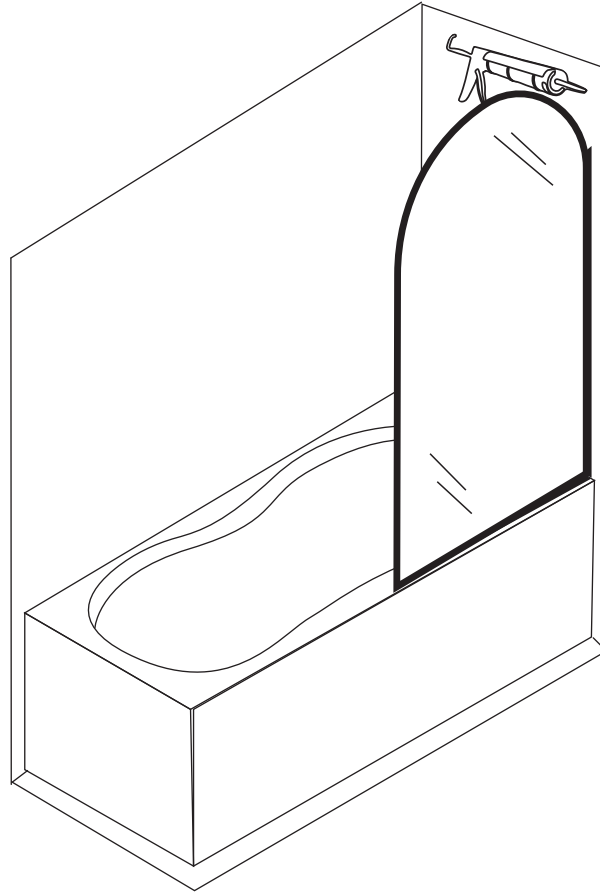
- Carefully slide the glass panel (A) into the U-channels.
- For out-of-plumb walls, do not force the glass into the channel. This design allows for a 3/8" adjustment within the vertical u-channel and you may secure the glass accordingly in the following step.
- Drill a 3 mm hole into the vertical u-channel (B).
- Insert two screws (F) and washers (G) to secure the panel in place.



## 5 Seal Edges and Exposed Screws

- Add cover caps (H) over all installed screws.
  - Add waterproof epoxy to both sides of the U-channels where they meet the wall and base.
- NOTE:** Allow 24 hours to dry before use.

Wait 24 hours  
before use.



## ONE-YEAR LIMITED WARRANTY

Swiss Madison® products are made with quality materials and excellent craftsmanship to provide our customers with beautiful, durable, long-lasting products. Should there be any defects in materials or craftsmanship under regular use that are discovered within the first year after delivery, Swiss Madison® will provide replacement parts at no charge, or at its discretion, replace any product or part of the product that is deemed defective, under normal installation, use, service or maintenance. This warranty applies only to the original purchaser. Proof of purchase must be submitted with any warranty claim.

Swiss Madison® recommends that all installations of Swiss Madison® products to be conducted by a licensed plumber or contractor. Swiss Madison® will not be held responsible for any damage or product failure due to improper installation, misuse, or failure to utilize a licensed plumber or contractor for installation. Swiss Madison® is not responsible for any installation or removal costs.

### THIS ONE-YEAR LIMITED WARRANTY WILL BE VOIDED IF:

- The installation instructions were not followed by the installer
- The product has been moved from its initial place of installation
- The product has in any way been modified from its original condition
- The product has been subjected to improper maintenance, abuse, misuse, excessive use of chemicals, accidents, or other damages

Swiss Madison® makes no warranty that its products comply with any local building or plumbing codes. It is the consumer's responsibility and obligation to determine local code compliance prior to and during installation.

Swiss Madison® is not responsible for any special, incidental or consequential damages associated with the installation, replacement, return or use of the original purchaser's product. This includes, but is not limited to: freight costs, labor, travel time, lost profit, home damages and other contingent liabilities and costs (including, without limitation, costs associated with 'professionals' or 'experts', investigations, audits, analyses, attorneys and any other professional/hired services). Some states do not allow the exclusion or limitation of incidental or consequential damages, so the above limitation or exclusion may not apply to you.

The Swiss Madison® warranty is a comprehensive and explicit limit of liability. All other warranties are hereby disclaimed and waived.

**QUESTIONS OR CONCERNS?** Please contact us directly at: 1-434-MADISON (623-4766)



### **WARNING:**

Contents of your order may contain sharp and possibly other harmful pieces and may cause hazard to children and adults. Swiss Madison® is not responsible in any way for personal injuries or damages.