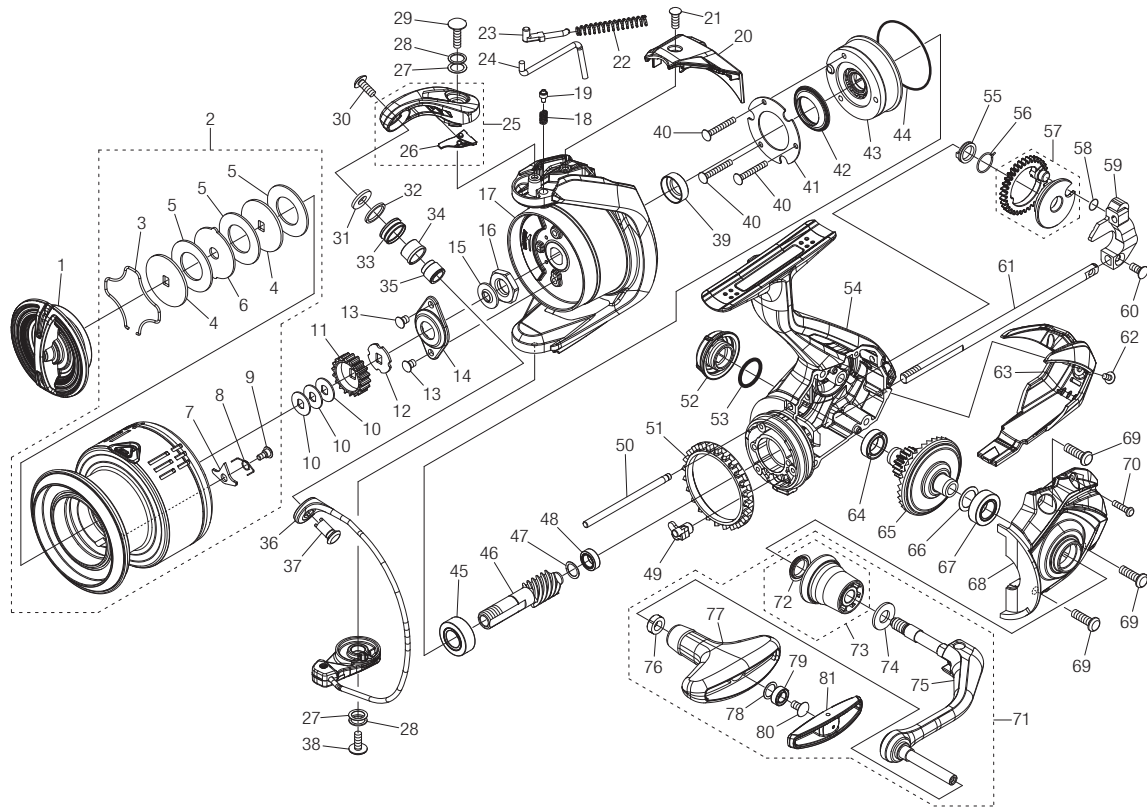


SHIMANO

NASCI

NAS4000XGFD



(51SF91CH45X) Please note that the number of adjusting washers may not be the same as shown in the exploded views.
(Adjustment will vary with each individual product.)

| # | Part No. | RD No. | Description | # | Part No. | RD No. | Description | # | Part No. | RD No. | Description |
|----|----------|--------|---------------------|----|----------|--------|---------------------------|----|----------|--------|-----------------------------|
| 1 | 101UA | 21847 | Drag Knob Assembly | 31 | 107X1 | 17164 | Washer | 61 | 101SZ | 17934 | Main Shaft |
| 2 | 14A9G | | Spool Assembly | 32 | 10KFD | 6684 | Spacer | 62 | 10LCS | 17863 | Screw |
| 3 | 10B8N | 16931 | Retainer | 33 | 10JLF | 9368 | Line Roller | 63 | 10R94 | 21858 | Rear Protector |
| 4 | 10BCE | 16774 | Key Washer | 34 | 10PFH | 10184 | Bushing | 64 | 107FA | 12969 | Ball Bearing |
| 5 | 102ZG | 17773 | Drag Washer | 35 | 149ZC | | Collar | 65 | 1023Z | 21864 | Drive Gear |
| 6 | 102XX | 22328 | Eared Washer | 36 | 14CAB | | Bail Assembly | 66 | 10EEZ | 21178 | Washer |
| 7 | 1038D | 14887 | Drag Click | 37 | 149ZA | | Line Roller Support | 67 | 107AT | 8553 | Ball Bearing |
| 8 | 10JM5 | 14888 | Drag Click Spring | 38 | 103DA | 20370 | Screw | 68 | 14A97 | | Side Cover |
| 9 | 10PH5 | 14830 | Screw | 39 | 10JHG | 17205 | Rotor Ring | 69 | 101EH | 18822 | Screw |
| 10 | 10BXN | 3455 | Spool Washer | 40 | 103C6 | 4798 | Screw | 70 | 10R7G | 22354 | Screw |
| 11 | 103MU | 14832 | Spool Support A | 41 | 10L62 | 17206 | Roller Clutch Reinforce | 71 | 14A9B | | Handle Assembly |
| 12 | 10J04 | 14833 | Spool Support B | 42 | 10MH6 | 17207 | Roller Clutch Water Proof | 72 | 10PXV | 17695 | Handle Shaft Seal |
| 13 | 10PMC | 17189 | Screw | 43 | 10QPN | 17251 | Roller Clutch Assembly | 73 | 10E7V | 22440 | Handle Shaft Cover Assembly |
| 14 | 10TRH | 17670 | Nut Lock Plate | 44 | 10MLU | 17688 | O Ring | 74 | 10E5X | 20170 | Washer |
| 15 | 107L4 | 17190 | Bearing Water Proof | 45 | 107FE | 8554 | Ball Bearing | 75 | 14CAD | | Handle Shank Assembly |
| 16 | 1067Y | 17192 | Rotor Nut | 46 | 14A9F | | Pinion Gear | 76 | 10PXZ | 17698 | Bushing |
| 17 | 148D4 | | Rotor | 47 | 10SYU | 18741 | Washer | 77 | 10RHC | 20709 | Handle Knob |
| 18 | 10CHO | 8916 | Click Spring | 48 | 10RKR | 20644 | Ball Bearing | 78 | 104FH | 19745 | Washer |
| 19 | 106ZC | 17415 | Click Pin | 49 | 149ZL | | Anti Reverse Cam | 79 | 10K64 | 21823 | Ball Bearing |
| 20 | 148D6 | | Bail Spring Cover | 50 | 101HU | 21853 | Oscillating Guide | 80 | 10LFA | 17700 | Screw |
| 21 | 103CJ | 16354 | Screw | 51 | 104FV | 17690 | Friction Ring | 81 | 10S3U | 20710 | Handle Knob Seal |
| 22 | 10FVC | 17390 | Bail Spring | 52 | 10RSK | 19803 | Handle Screw Cap | | | | |
| 23 | 105LT | 9427 | Bail Spring Guide | 53 | 108WH | 0582 | O Ring | | | | |
| 24 | 106P4 | 17242 | Bail Trip Lever | 54 | 14CAJ | | Body Assembly | | | | |
| 25 | 14CAA | | Bail Arm Assembly | 55 | 10TBH | 21815 | Bushing | | | | |
| 26 | 14A9E | | Bail Arm Fin | 56 | 10RPB | 22418 | Bushing Spring | | | | |
| 27 | 10KFA | 11166 | Washer | 57 | 10U1D | 22471 | Oscillating Gear | | | | |
| 28 | 10K96 | 18551 | Washer | 58 | 10241 | 21856 | O Ring | | | | |
| 29 | 103LT | 13918 | Screw | 59 | 101UC | 21857 | Oscillating Slider | | | | |
| 30 | 10PMH | 18681 | Screw | 60 | 10ML7 | 17342 | Screw | | | | |