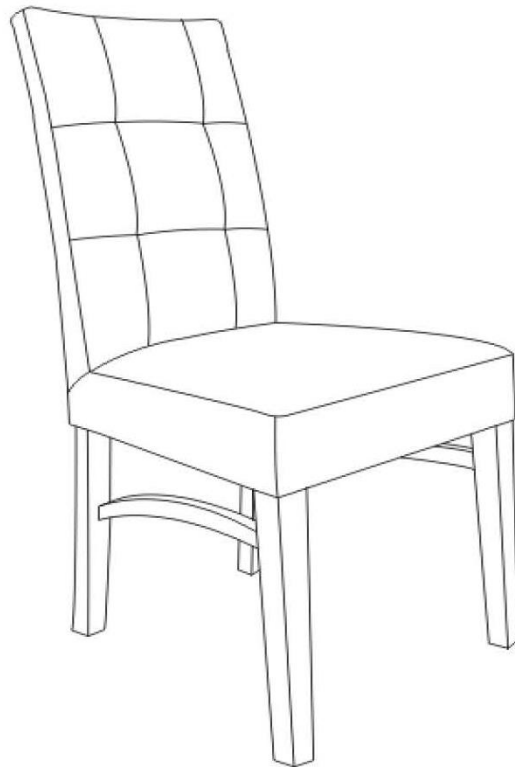


# EZRA / HAWTHORNE / KENTVILLE

---

## DINING CHAIR

MODEL # AXCDCHR-003-BRL





**Questions, problems, assembly help, missing parts?**

No need to return the product, we will gladly help and ship your replacement parts free of charge

Please call Customer Service at 1-866-518-0120 ext. 262

Monday to Friday between 9 am – 4 pm EST

or go to

[www.simpli-home.com/parts request](http://www.simpli-home.com/parts request)

In order to assist you in a timely manner, please have the following information ready:

Model # \_\_\_\_\_ Part Number or Letter \_\_\_\_\_

Purchased at \_\_\_\_\_ Date of Purchase \_\_\_\_\_

**If you wish to return the product, please contact the retailer where the product was purchased.**

**IMPORTANT:** Please read this manual carefully before beginning assembly of this product. Keep this manual for future reference.

## SAFETY INFORMATION

Identify all the parts and hardware. Do not discard of the packaging until you have checked that you have all of the parts and hardware required. Hardware package may have spare parts.

**WARNING:** This item contains small parts which can be swallowed by children and pets. Keep children and pets away during assembly. To avoid danger of suffocation, always keep plastic bags away from children and pets.

We recommend that you assemble this unit on a carpeted floor to avoid scratches. We do not recommend the use of power tools for assembly as this could damage the unit. Only use manual tools.

**Requires 2 people for ease of assembly.**

## CARE and MAINTENANCE

Wipe regularly with clean water and a damp, clean, soft white cloth.

General cleaning can be done as needed with a mild detergent and water solution. Always rinse with clean water and dry.

For heavy soiling, dampen a soft white cloth or soft bristle brush. Use care as scrubbing can damage the surface.

More difficult stains can be treated, but this should be occasional, not daily, cleaning. ANY cleaning solution used must be removed with clean water and a clean white cloth. Cleaning residue left on the material can cause it to dry out and crack, or affect the color.

DO NOT use any cleaners with corrosive ingredients (lye, acids or ammonia).

# PRE-ASSEMBLY INFORMATION

## PARTS DESCRIPTION

**A**



CHAIR BACK  
QTY 1

**B**



SEAT  
QTY 1

**C**



LEFT STRETCHER  
QTY 1

**D**



RIGHT STRETCHER  
QTY 1

**E**



LEFT FRONT LEG  
QTY 1

**F**



RIGHT FRONT LEG  
QTY 1

**NEED HELP?** For help with assembly or if you are missing a part,  
Please call customer service at 1-866-518-0120 ext. 262 (9 am to 4 pm EST)

# PRE-ASSEMBLY INFORMATION

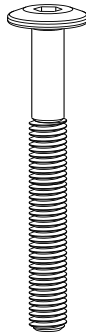
## HARDWARE DESCRIPTION

1



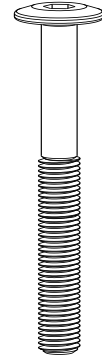
ALLEN KEY SCREW  
M8 X 45MM  
QTY 1

2



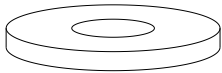
ALLEN KEY SCREW  
M8 X 60MM  
QTY 4

3



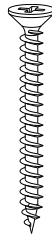
ALLEN KEY SCREW  
M8 X 90MM  
QTY 4

4



FLAT WASHER  
Ø22mm  
QTY 9

5



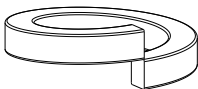
SELF-TAPPING SCREW  
Ø3.5 X 40MM  
QTY 4

6



ALLEN KEY  
5MM  
QTY 1

7

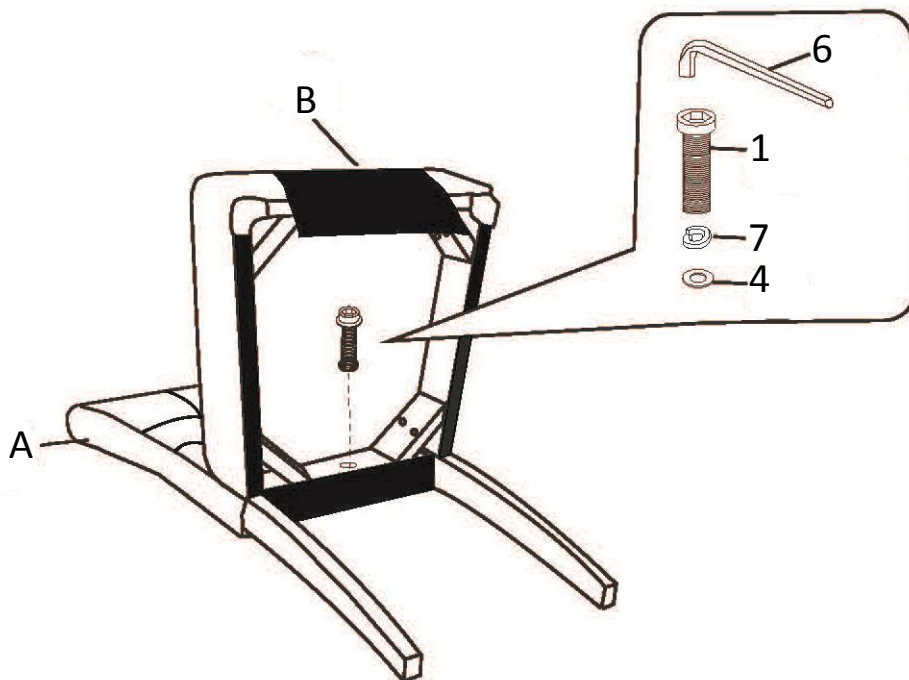


LOCK WASHER  
Ø13mm  
QTY 9

**NEED HELP?** For help with assembly or if you are missing a part,  
Please call customer service at 1-866-518-0120 ext. 262 (9 am to 4 pm EST)

# ASSEMBLY

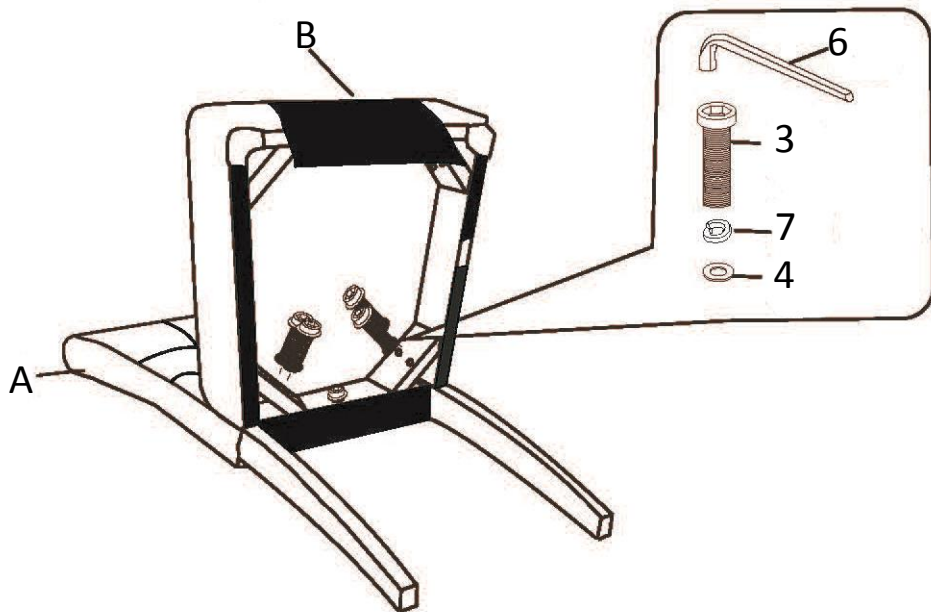
## STEP 1



Align Seat Cushion (B) into pre-drilled holes on Chair Back (A).  
Attach Seat Cushion (B) to Chair Back (A) using Allen Key Screw (1)  
and one Washers each of (4) and (7).  
Use Allen Key (6) tighten. Do not over-tighten.

# ASSEMBLY

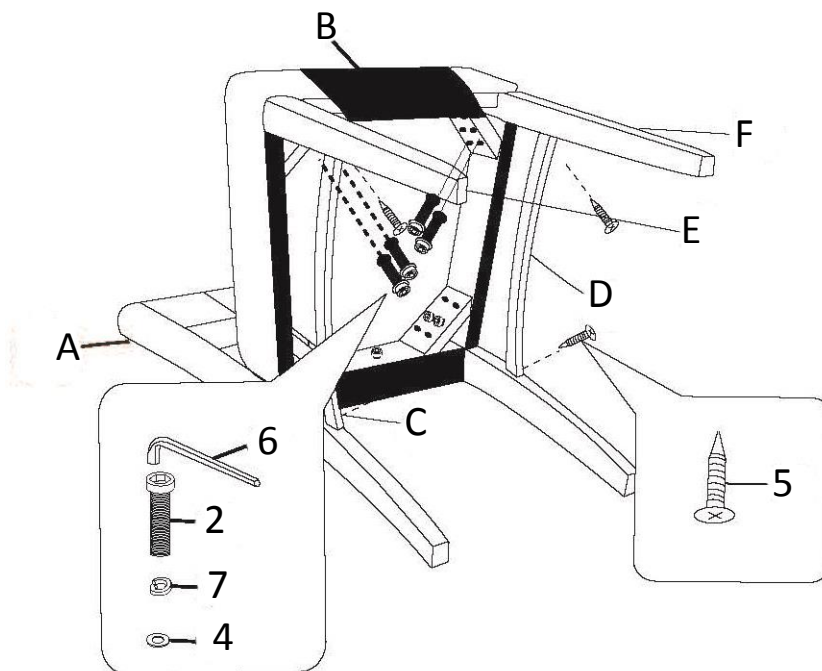
## STEP 2



Attach Seat Cushion (B) to Chair Back (A) using Allen Key Screw (3) and four Washers each of (4) and (7).  
Use Allen Key (6) tighten. Do not over-tighten.

# ASSEMBLY

## STEP 3



Attach Front Legs (E & F) using Allen Key Screws (2) and four Washers Each of (4) and (7).

Use Allen Key (6) tighten. Do not over-tighten.

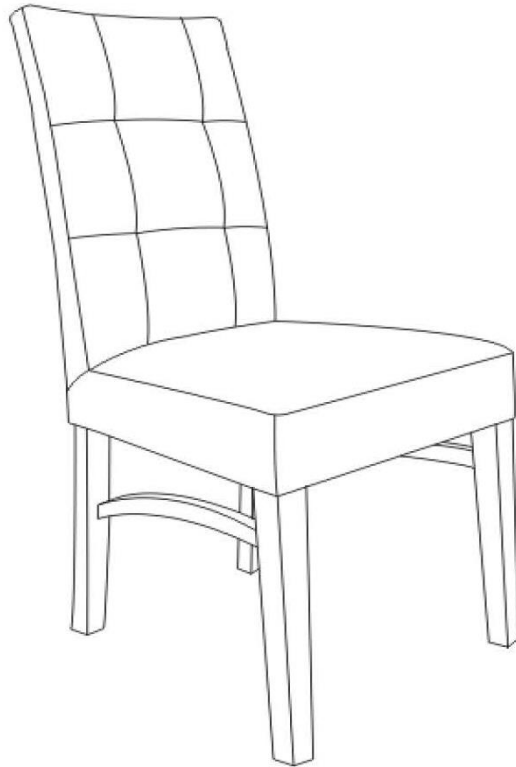
Align the Stretcher (C & D) into Chair Back (A) and Front Legs (E & F) with Self-Tapping Screws (5).

Fully tighten Self-Tapping Screws (5).



# ASSEMBLY

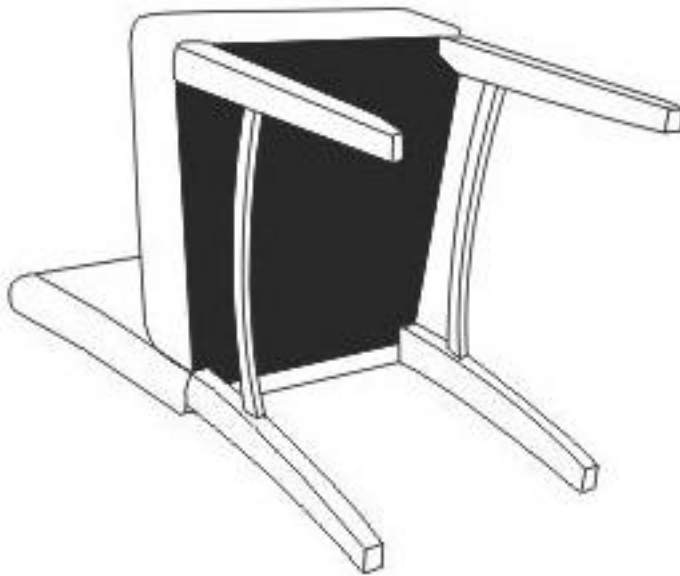
## STEP 4



Place Chair on a flat level surface to ensure it is level. If it is uneven, Adjust either the Seat (B) or Front Legs (E) and (F) to ensure the Chair is level and then fully tighten the bolts.

# ASSEMBLY

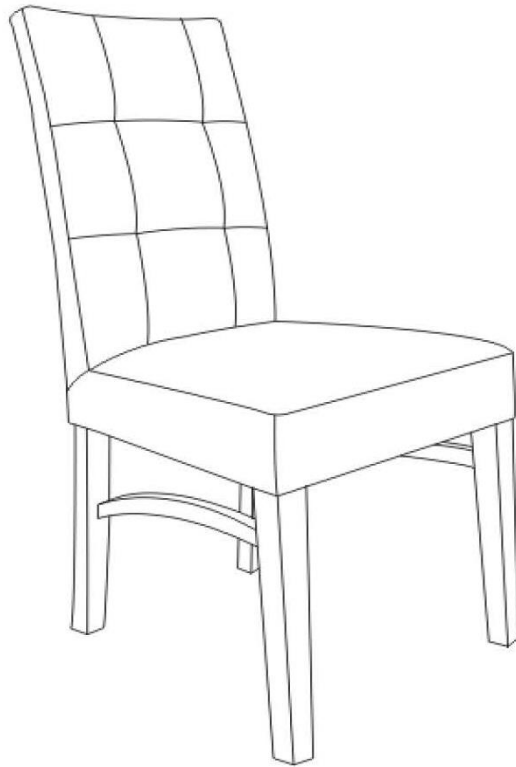
## STEP 5



Use the zipper to close the fabric on the bottom of the Chair.

# ASSEMBLY

## STEP 6



Turn Chair right side up.



## WARRANTY

Thank you for purchasing a **Simpli Home – Wyndenhall – Brooklyn + Max** product. These products have been made to demanding, high-quality standards and are guaranteed for domestic use against manufacturing faults for a period of 12 months from the date of purchase. This warranty does not affect your statutory rights.

In case of any malfunction of your product (failure, missing parts, etc.) please contact us at our toll free service line at 1-866-518-0120 ext. 262 from 9 am to 4 pm, Monday to Friday, Eastern Standard Time or by email at [customerservice@simpli-home.com](mailto:customerservice@simpli-home.com).

We reserve the right to repair or replace the defective product, at its discretion.

This product is guaranteed for 12 months if used for normal purposes. Any warranty is invalid if the product has been overloaded or subject to neglect, improper use or an attempted repair by other than an authorized agent. Heavy-duty or daily professional/commercial usage are not guaranteed.

Due to continuous product improvement, we reserve the right to change the product specifications without prior notice.