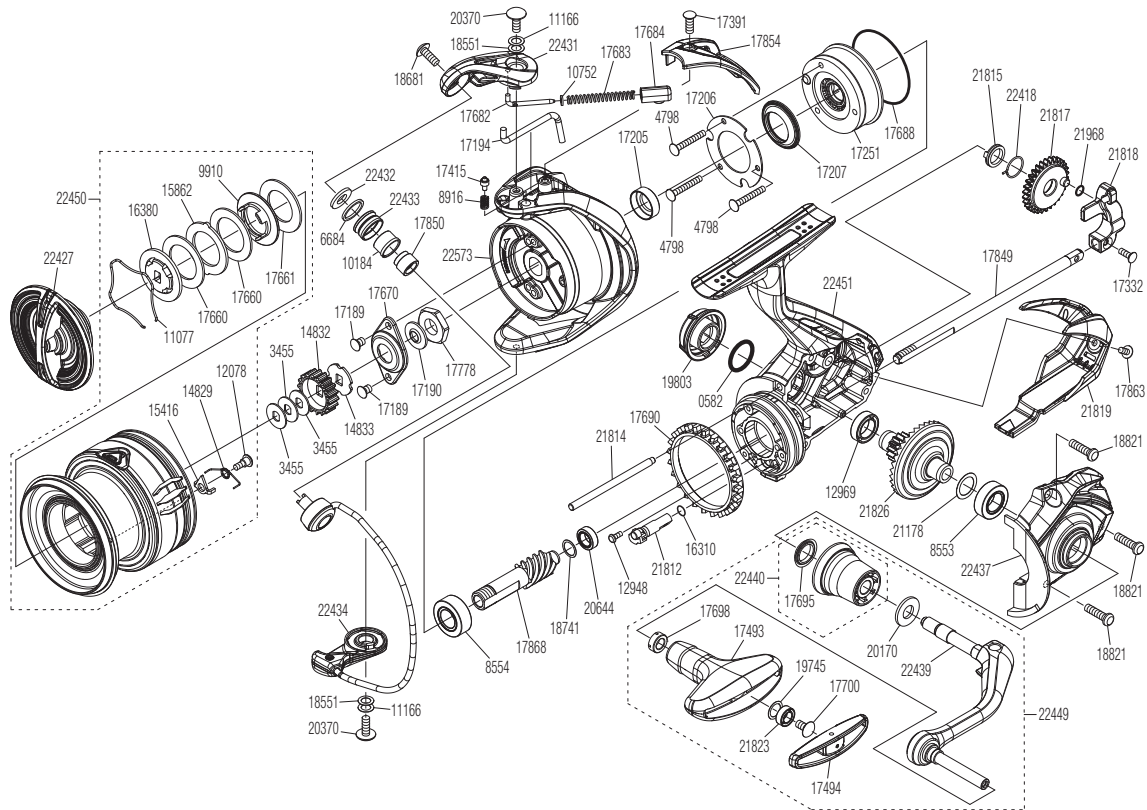


SHIMANO

MIRAVEL

MV-C3000HG



Please note that the number of adjusting washers may not always be the same as shown in the exploded views.

(51SF63AE36X)

Please note that your actions take full responsibility when you take it apart.

#	Part No.	Description	#	Part No.	Description	#	Part No.	Description
0582	108WH	O Ring	17391	10LFK	Screw	21178	10EEZ	Washer
3455	10BXN	Spool Washer	17415	106ZC	Click Pin	21812	10TB2	Anti Reverse Cam
4798	103C6	Screw	17493	10R38	Handle Knob	21814	10TBF	Oscillating Guide
6684	10KFD	Spacer	17494	10R3A	Handle Knob Seal	21815	10TBH	Bushing
8553	107AT	Ball Bearing	17660	102ZQ	Drag Washer A	21817	100QJ	Oscillating Gear
8554	107FE	Ball Bearing	17661	10C14	Drag Washer B	21818	100KG	Oscillating Slider
8916	10CH0	Click Spring	17670	10TRH	Rotor Nut Lock Plate	21819	10R8U	Rear Protector
9910	10B9D	Key Washer	17682	1061L	Bail Spring Guide A	21823	10K64	Ball Bearing
10184	10PFH	Bushing	17683	105R6	Bail Spring	21826	100QB	Drive Gear
10752	10TYE	Bail Spring Guide A Collar	17684	107AB	Bail Spring Guide B	21968	101BW	O Ring
11077	10MZX	Retainer	17688	10MLU	O Ring	22418	10RPB	Bushing Spring
11166	10KFA	Spacer	17690	104FV	Friction Ring	22427	101EP	Drag Knob Assembly
12078	10PH4	Screw	17695	10PXV	Handle Shaft Seal	22431	101EK	Bail Arm
12948	10L1N	Screw	17698	10PXZ	Bushing	22432	101EM	Washer
12969	107FA	Ball Bearing	17700	10LFA	Screw	22433	101E8	Line Roller
14829	10PH3	Drag Click Spring	17778	10TFL	Rotor Nut	22434	10E7U	Bail Assembly
14832	103MU	Spool Support A	17849	10DMK	Main Shaft	22437	101EL	Side Cover
14833	10J04	Spool Support B	17850	1020X	Collar	22439	10E81	Handle Shank Assembly
15416	1038H	Drag Click	17854	10DNX	Bail Spring Cover	22440	10E7V	Handle Shaft Cover Assembly
15862	102XW	Eared Washer	17863	10LCS	Screw	22449	101PE	Handle Assembly
16310	108WU	O Ring	17868	10DMH	Pinion Gear	22450	101PH	Spool Assembly
16380	10QBV	Key Washer B	18551	10K96	Washer	22451	10E7X	Body Assembly
17189	10PMC	Screw	18681	10PMH	Screw	22573	13XFN	Rotor
17190	107L4	Bearing Water Proof	18741	10SVU	Washer			
17194	106P2	Bail Trip Lever	18821	101WL	Screw			
17205	10JHG	Rotor Ring	19745	104FH	Washer			
17206	10L62	Roller Clutch Reinforce	19803	10RSK	Handle Screw Cap			
17207	10MH6	Roller Clutch Water Proof	20170	10ESX	Washer			
17251	10QPN	Roller Clutch Assembly	20370	103DA	Screw			
17332	10R1P	Screw	20644	10RKR	Ball Bearing			