

OVERVIEW

The PP16 SHUNT relay pack operates as an automatic bypass shunt for control devices (such as other relay packs, toggle switches, and phase dimming packs) that are controlling emergency powered lighting loads. The relay is open when normal power is present, but will latch closed if normal power is lost.

An elongated chase nipple facilitates attachment directly to a junction box or fixture through a 1/2" knockout. A push button is also provided which allow users the ability to test the emergency operation.

SPECIFICATIONS

Size:	(not incl. 1/2" chase nipple) 3.38" H x 2.53" W x 1.83" D (8.59 cm x 6.43 cm x 4.65 cm)
Weight:	6 oz
Mounting:	1/2" knockout (7/8" hole) on box or fixture
Color:	Red
Operating Voltage:	120/277 VAC
Max Load:	(No derating necessary) 16A @ 120 VAC/ 277 VAC
Motor Load:	1 HP
Relay Type:	Latching
Frequency:	50/60 Hz

ROHS Compliant

Warranty

Five-year limited warranty. Complete warranty terms located at:

www.acuitybrands.com/CustomerResources/Terms_and_conditions.aspx

Note: Actual performance may differ as a result of end-user environment and application.

Specifications subject to change without notice.

AcuityControls[™]

Sensor Switch[™]

PP16 SHUNT
Bypass Relay



ORDERING INFORMATION

PP16 SHUNT		Example: PP16 SHUNT LT
Series	Temperature/Humidity	
PP16 SHUNT Bypass Relay Pack	[blank]	Standard
	LT	Low Temp

IMPORTANT SAFEGUARDS

READ AND FOLLOW ALL SAFETY INSTRUCTIONS.

SAVE THESE INSTRUCTIONS

WIRING (DO NOT WIRE HOT)

WIRING

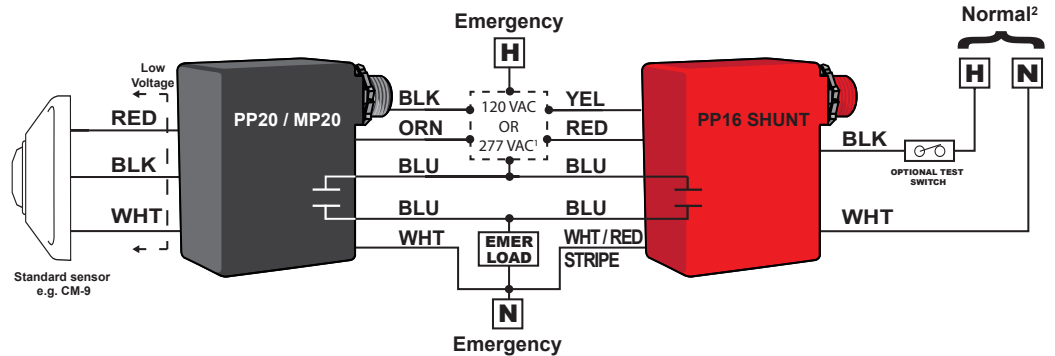
Emergency Power

YEL - 120 VAC
 RED - 277 VAC
 WHT w/RED - Neutral
 BLU (2) - Line/Load

Normal Power

BLK - 120/277 VAC
 WHT - Neutral

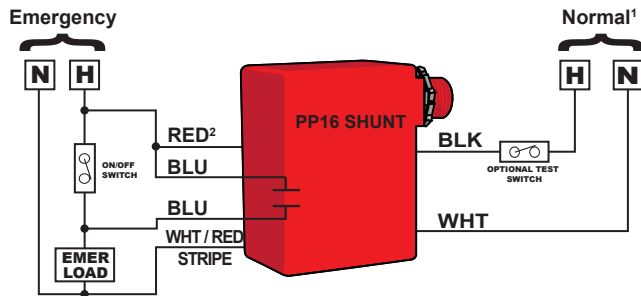
Bypass Configuration of a PP20 Power Pack



¹ Connect BLK to 120V supply or ORN to 277V supply, cap unused wire(s)

² Normal power can sense 120-277VAC

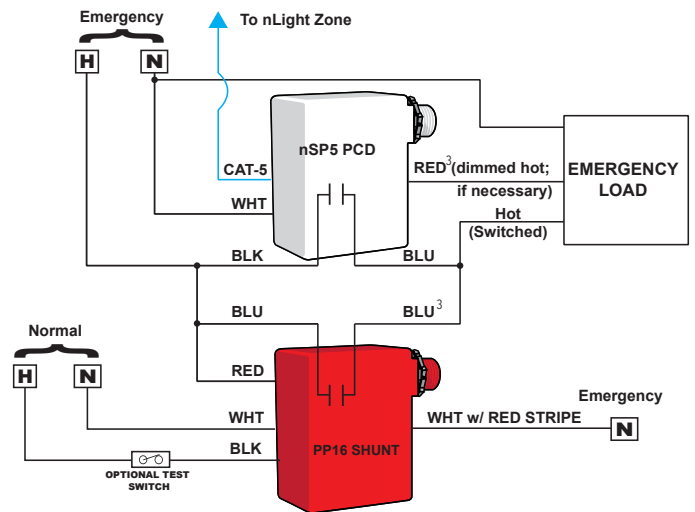
Bypass Configuration of a Toggle Switch



¹ Normal power can sense 120-277VAC

² Red wire can be connected to 120 or 277 VAC

Bypass Configuration of a nLIGHT Phase Control Dimming Pack (nSP5 PCD)



³ Diagram shown for nSP5 PCD 3W. If using nSP5 PCD 2W/MLV/ELV 120, PP16 SHUNT blue load wire will connect to nSP5 PCD red wire.