

BARREL PUMP

Stock Number W54270

OWNERS MANUAL



PT
Performance Tool®

Please read these instructions carefully and retain them for future use.

On occasion, after printing of our literature is completed, our manufacturers may make changes and/or modifications to merchandise which will not be reflected in this manual. Although we strive to maintain complete and accurate information, it is possible in some instances, that the product may differ slightly from printed specifications. Illustrations are intended for reference only. Actual merchandise may vary. Wilmar is not responsible for typographical errors.

LIMITED LIFETIME WARRANTY

PERFORMANCE TOOL extends only the following warranties, and only to original retail purchasers. These warranties give specific legal rights. Except where prohibited by local law, the law of the State of Washington governs all warranties and all exclusions and limitations of warranties and remedies. There may be other rights which vary from state to state. PERFORMANCE TOOL warrants the product to be free from defects in materials and workmanship under normal use and service. A defective product may be returned for a free replacement within 90 days from the date of purchase, provided that product is returned to place of purchase immediately after discovery of defect. These warranties shall be valid only when a sales receipt showing the date of purchase accompanies the defective product being returned. These warranties exclude blades, bits, punches, dies, bulbs, fuses, hoses, and other consumables which must be replaced under normal use and service. These warranties shall not apply to any product or part which is used for a purpose for which it is not designed, or which has been repaired or altered in any way so as to affect adversely its performance or reliability, nor shall these warranties apply to any product or part which has been subject to misuse, neglect, accident or wear and tear incident to normal use and service. PERFORMANCE TOOL does not authorize any other person to make any warranty or to assume any liability in connection with its products. Except for warranties of title and the limited express warranties set forth above, PERFORMANCE TOOL makes no express or implied warranties of any kind with respect to its products. In particular, PERFORMANCE TOOL makes no implied warranty of merchantability and no implied warranty of fitness for any particular purpose, except that for goods purchased primarily for personal, family or household use and not for commercial or business use, PERFORMANCE TOOL makes an implied warranty of merchantability (and, if otherwise applicable, an implied warranty of fitness for a particular purpose), but only for the particular qualities or characteristics, and for the duration, expressly warranted above. The laws on limitation of implied warranties may differ from state to state, so the above limitations may not apply in all cases. PERFORMANCE TOOL shall not be liable for consequential, incidental or special damages resulting from or in any manner related to any product, or to the design, use, or any inability to use the product. The sole and exclusive remedy for a defective product or part shall be the repair, or replacement thereof as provided above. The laws on limitation of remedies or on consequential, incidental or special damages may vary from state to state, so the above limitations may not apply in all cases.

Copyright © 2017 PERFORMANCE TOOL – All rights reserved

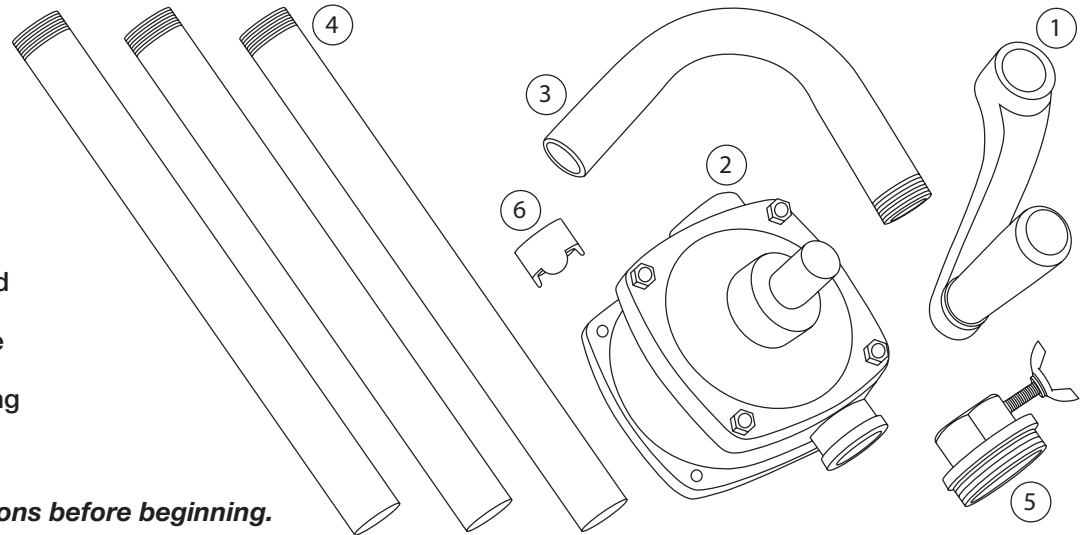
Performance Tool®

PARTS LIST

#	Description	Qty.
1	Handle.....	1
2	Pump.....	1
3	Delivery Spout	1
4	Suction Pipe.....	3
5	Bung Nut	1
6	Strainer.....	1

Carefully unpack and spread out all parts in a large uncluttered area. Familiarize yourself with all parts and compare them to the drawing to make sure none are missing.

Read all assembly instructions before beginning.



INSTRUCTIONS & PRECAUTIONS

- Designed to pump clean oil and other light petroleum product
- Do not use with flammable liquids such as gasoline, kerosene, acetone, thinners etc.
- Also do not use acids, alkaline solutions, or other corrosive liquids
- Do not use to pump water as this will rust the interior and shorten the units life.
- Not designed to pump used fluids such as motor oil.
- Barrel Pump and fluids should be keep away from all ignition sources and flammable material.
- Use only according to these instructions and its intended use.
- Always wear ANSI approved safety glasses or goggles when pump is in use.

ASSEMBLY INSTRUCTIONS

1. Read and understand instruction prior to continuing.
2. Screw the suction pipe into the inlet port of the pump. Pay close attention to the directional arrows on the pump body, as well as the inlet and outlet markings. They show the direction of the fluid flow. If you notice bubbles in the barrel and you're not getting delivery you have the pump assembled in reverse.
3. Slide the bung nut over this section of pipe. Use the wing nut to tighten it in place on the suction pipe. Assemble the balance of the suction tubes together as needed for your application. Be sure the strainer is added to the end. Use PTFE tape on all of the threads
4. Slide the handle onto the shaft on the pump body. Tighten together using the hex bolt.
5. Screw the delivery spout onto the threaded outlet on top of the pump body.
6. Lower the entire assembly into the bung opening adjust bung nut as needed and secure in place.

OPERATION INSTRUCTIONS

1. Assemble the pump as described in the assembly instructions. Pay close attention to the directional arrows on the pump body. This shows the direction of the flow. If you notice bubbles in the barrel and you're not getting delivery you have the pump assembled in reverse.
2. To prime the pump, turn the discharge spout upwards and pour in a few drop of oil.
3. A hose can be attached to the end of the deliver spout if desired.
4. Put a container under the delivery spout or set the hose end in the container.
5. Completely submerge the lower half of the suction pipe into the fluid in the barrel.
6. Pump the handle steadily to begin the fluid transfer.
7. Pump until the desired amount is in the container.
8. Always do a reverse rotation to clear out any undelivered fluid.

Please Note: Avoid running water or residue from the bottom of the barrel. The intake tube can be raised to avoid any contaminated fluids.

SAFETY WARNING

1. Before each use, inspect the general condition of the pump. Be sure there are no broken, bent, damaged, or missing parts. Anything that might affect the performance of this product should be avoided.
2. Lubricant where needed such as on the handle's pivot parts.
3. Keep the suction and delivery ports clean and free of dirt and debris.
4. After each use, wipe off the unit, store in a clean dry place.