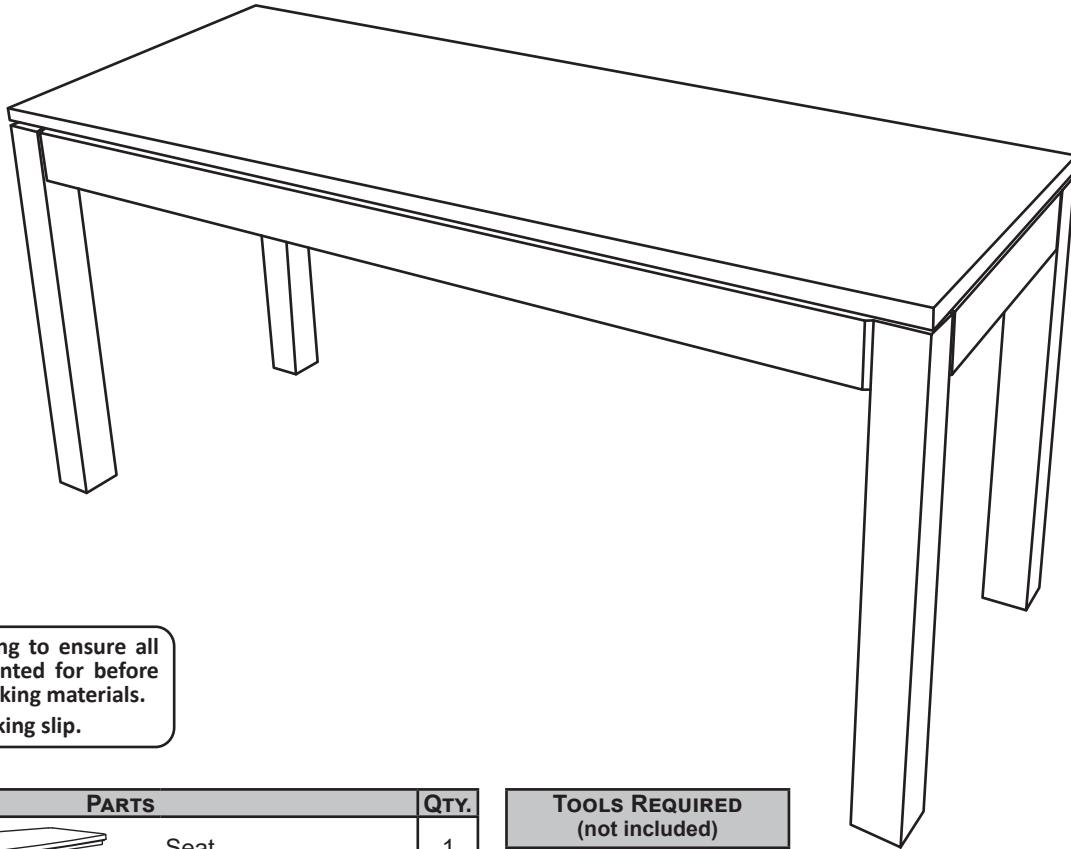





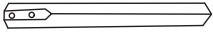
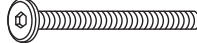




# SHAKER STYLE DINING BENCH

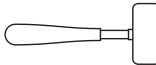
## BWD-856

Carefully read all assembly and information in this manual before using this product. Save this manual for future reference.  
**Assemble components on a soft, clean surface to avoid damaging the finish.**



 Inspect packaging to ensure all parts are accounted for before disposing of packing materials.  
 Save the packing slip.

| No. | PARTS   |                   | QTY. |
|-----|---|-------------------|------|
| A   |  | Seat              | 1    |
| B   |  | Leg               | 4    |
| 1   |  | JCBC M6x50mm Bolt | 8    |
| 2   |  | Split Washer      | 8    |
| 3   |  | Flat Washer       | 8    |
| 4   |  | Tack Glide        | 4    |
| 5   |  | Hex Key           | 1    |

| TOOLS REQUIRED<br>(not included)  |
|---|
|  |
| Rubber Mallet   |

**275**  
pounds  
124.7 kg  
Weight Capacity

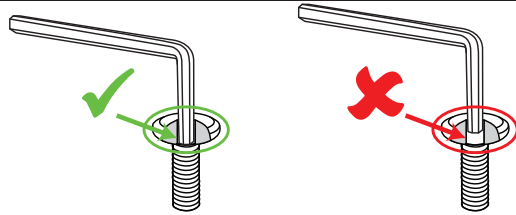
**⚠ WARNING ⚠**  
**CHOKING HAZARD** — This item contains small parts that can be swallowed. Keep children and pets away during assembly.

**NOTE:** Over time and with use, the bolts may become loose. Save the included tool for tightening loosened hardware.

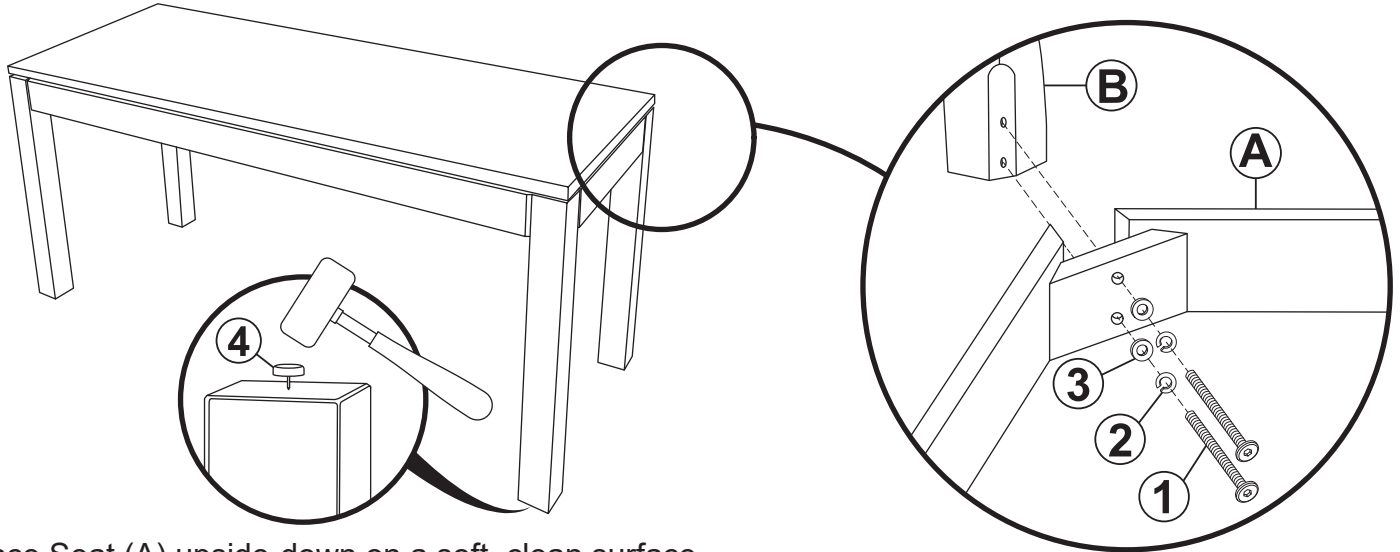
### ! HELPFUL HINT

Sunnydaze Decor advises reading this manual fully, and assembling the item soon after purchase. Check that all parts are accounted for and familiarize yourself with the assembly before beginning.

# ASSEMBLY



**Tip:** Always fully insert the hex key inside the designated notch of the bolt. If the hex key is not entirely inside the notch, the hex key could slip out, causing damage to the bolt head. In addition, repeated hex key slipping will cause the notch to become rounded, making it difficult or impossible to tighten the bolt.



Place Seat (A) upside-down on a soft, clean surface.

Align Leg (B) with the corner of the seat. Use two sets of Flat Washer (3), Split Washer (2), and JCBC M6x50mm Bolt (1) to secure the leg as shown. Repeat until all legs have been securely fastened.

Use a rubber mallet to install one Tack Glide (4) into the bottom, center of each leg.

## Care & Maintenance



Clean the furniture using a dry, soft cloth or clean feather duster.



Remove stains with a slightly damp cloth and mild soap. Dry with a soft cloth to prevent water damage.



Do not clean with harsh cleansers or polish.



Do not put hot items or any liquids directly on the furniture surface.

## ! SAFETY STATEMENTS & WARNINGS !

- For indoor use only.
- This product is for residential use only; institutional or commercial use will automatically void the product warranty.
- Ensure fittings are tight before use. Periodically check fitting to ensure they are tight.
- Do not exceed the weight capacity of this item.
- Do not place liquids or hot items directly on the unit.
- Never use chemical cleaning products or polishes as they may damage the finish.
- Avoid long-term exposure to sunlight.
- Avoid placing near heating or cooling vents as forced air is be very drying and could damage the wood.
- Use a padded barrier to protect the furniture surface when using writing utensils.

**Any modification to the product or failure to follow recommended care will void the product warranty.**

### ! WARNING:

Manufacturer and seller expressly disclaim any and all liability from personal injury, property damage or loss, whether direct or indirect, or incidental, resulting from the incorrect attachment, improper use, inadequate maintenance, or neglect of this product.