

F1960 x FIP Brass PEX Adapter

Job Name	_____
Location	_____
Engineer	_____
Contractor	_____
Tag	_____ PO# _____

Specifications

Manufactured to the highest industry standards, Jones Stephens' F1960 lead-free brass cold expansion fittings provide precise, secure, and leak-free connections. Made with DZR brass, F1960 cold expansion fittings are corrosion and chlorine/chemical resistant – making them a great fit for aggressive water environments. Approved for use with PEX-A piping. Can be used with F1960 PEX rings.

Applications

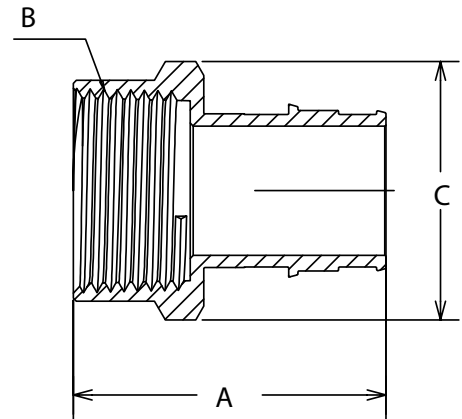
Jones Stephens' F1960 x FIP Brass PEX Adapters are approved for use with commercial and residential non-potable water applications.

Materials

Lead-free DZR brass

Certifications/Listings/Approvals

- ASTM F1960-2021
- NSF/ANSI/CAN 61-2021
- NSF/ANSI/CAN 372-2022
- NSF/ANSI 14-2015
- CSA B137.5-2020
- Lead Law Compliant



	ID	OD
F1960 Specified Dimensions	in (mm)	in (mm)
1/2" End Connection	.41(10.33)	.61(15.59)
5/8" End Connection	.53(13.40)	.74(18.90)
3/4" End Connection	.62(15.80)	.87(22.10)
1" End Connection	.83(21.00)	1.11(28.10)
1-1/4" End Connection	.80(20.32)	1.36(35.54)
1-1/2" End Connection	1.08(27.43)	1.49(37.85)
2" End Connection	1.56(39.62)	2.08(52.83)

PRODUCT OFFERING ON PAGE 2

Dimensions and Product Offering

PART NO.	SIZE	A - IN (MM)	A TOLERANCE ±IN(MM)	B - IN (MM)	B TOLERANCE ±IN(MM)	C - IN (MM)	C TOLERANCE ±IN(MM)	WEIGHT - LBS (G)	WEIGHT TOLERANCE ±LBS (G)
F76859	0.50"	1.36 (34.60)	0.36 (9.07)	0.50"-14 NPT	0.04 (0.912)	1.10 (28.00)	0.13 (3.39)	0.09 (40.82)	0.02 (10.89)
F76860	0.50" F1960 x 0.75" FIP	1.39 (35.20)	0.36 (9.07)	0.75"-14 NPT	0.04 (0.912)	1.32 (33.50)	0.13 (3.39)	0.11 (49.90)	0.02 (10.89)
F76862	0.75"	1.62 (41.20)	0.36 (9.07)	0.75"-14 NPT	0.04 (0.912)	1.32 (33.50)	0.13 (3.39)	0.12 (54.43)	0.02 (10.89)
F76861	0.75" F1960 x 1.00" FIP	1.76 (44.80)	0.36 (9.07)	1.00"-11.5 NPT	0.04 (0.912)	1.65 (42.00)	0.13 (3.39)	0.20 (90.72)	0.02 (10.89)
F76858	1.00"	2.00 (50.80)	0.36 (9.07)	1.00"-11.5 NPT	0.04 (0.912)	1.65 (42.00)	0.13 (3.39)	0.23 (104.33)	0.02 (10.89)
F76171	1.25"	2.28 (57.91)	0.36 (9.07)	1.25" - 11.5 NPT	-	1.83 (46.48)	0.13 (3.39)	0.39 (176.90)	0.02 (10.89)
F76172	1.50"	2.54 (64.52)	0.36 (9.07)	1.50"-11.5 NPT	-	2.09 (53.09)	0.13 (3.39)	0.48 (217.72)	0.02 (10.89)
F76173	2.00"	3.01 (76.45)	0.36 (9.07)	2.00" -11.5 NPT	-	2.60 (66.04)	0.13 (3.39)	0.88 (399.16)	0.02 (10.89)