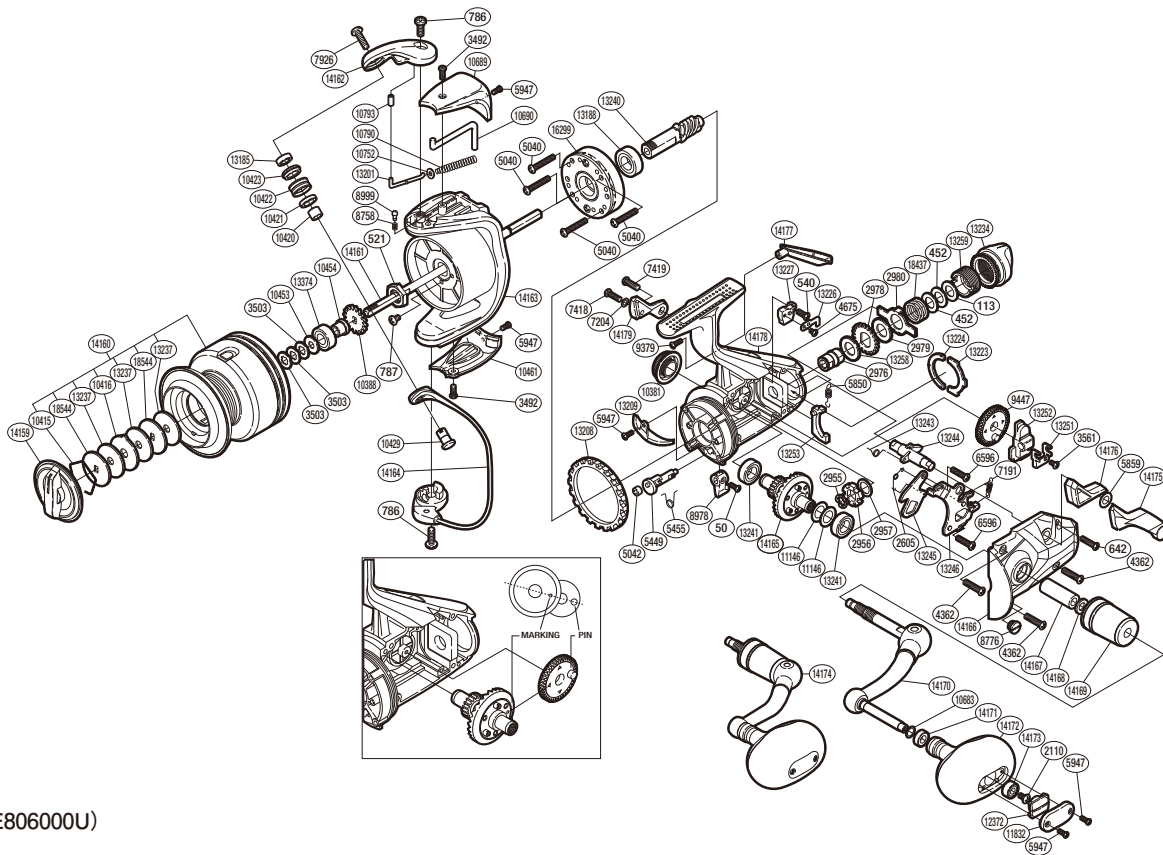


SHIMANO

THUNNUS CI4

TU-6000CI4



(51SE806000U)

#	Part No.	Description	#	Part No.	Description	#	Part No.	Description
50	10MPT	Screw	8978	10JG2	Anti-Reverse Lever	13241	104JD	Ball Bearing
113	10C0Z	Washer	8999	10HEA	Click Pin	13243	104CH	Clutch Spring
452	10BXE	Washer	9379	10L1U	Screw	13244	106MW	Baitrunner Lever Shaft
521	10MSW	Rotor Nut	9447	104X0	Oscillating Gear	13245	10G70	Clutch Pawl
540	103GS	Screw	10381	10P4J	Handle Screw Cap	13246	10N2U	Clutch Plate Assembly
642	10M35	Screw	10388	103MP	Spool Support	13251	10JZS	Oscillating Slider Retainer
786	103J1	Screw	10415	10B6L	Drag Washers Retainer	13252	104WP	Oscillating Slider
787	103L6	Screw	10416	10BE2	Eared Washer	13253	10N0V	Baitrunner Pawl
2110	103E9	Screw	10420	10GAP	Bearing Spacer	13258	10P2G	Free Spool Tension Washer
2605	10QCX	Clutch Pawl Spring	10421	10CZA	Line Roller Collar	13259	106RQ	Free Spool Tension Screw
2955	10S54	C Lock	10422	10KQS	Line Roller	13374	104Q5	Ball Bearing
2956	10TY8	Baitrunner Ratchet	10423	107R2	Line Roller Bushing	14159	102FP	Drag Knob
2957	10PDB	Spacer	10429	10L00	Line Roller Support	14160	10LXT	Spool Assembly
2976	105SS	Free Spool Tension Shaft	10453	105LN	Spool Support B	14161	10L19	Main Shaft
2978	10TY6	Click Gear	10454	10LTG	Bearing Bushing	14162	10N0F	Bail Arm
2979	10KMT	Free Spool Tension Washer	10461	10JHQ	Rotor Side Cover	14163	10Q5M	Rotor
2980	10TY9	Eared Washer	10683	10HTT	Washer	14164	107MF	Bail Assembly
3492	103DC	Screw	10689	10DD2	Bail Spring Cover	14165	10A5C	Drive Gear
3503	10BXK	Spool Washer	10690	10F19	Bail Trip Lever	14166	10CAL	Side Cover
3561	10MT4	Screw	10752	10TYE	Spring Guide A Support	14167	10C7W	Handle Shaft Cover B
4362	10MBT	Screw	10790	10FVF	Bail Spring	14168	10GD2	Washer
4675	10LV7	Screw	10793	10PK9	Bail Arm Collar	14169	10MFY	Handle Shaft Cover
5040	103LA	Screw	11146	10JDB	Washer	14170	1066J	Handle Shank Assembly
5042	106F8	Anti-Reverse Cam Ring	11832	108SP	Handle Knob I.D. Plate	14171	104UJ	Handle Knob Bushing
5449	10DA2	Anti-Reverse Cam	12372	10B97	Handle Knob Seal	14172	10CZF	Handle Knob
5455	10DCK	Anti-Reverse Cam Spring	13185	105BP	Ball Bearing	14173	10KX2	Ball Bearing
5850	10G75	Baitrunner Pawl Spring	13188	10BGD	Ball Bearing	14174	10LP7	Handle Assembly
5859	10ATP	Spacer	13201	105YT	Bail Spring Guide A	14175	10Q78	Baitrunner Lever Arm L
5947	103NH	Screw	13208	10D7T	Friction Ring	14176	10PA5	Baitrunner Lever Bridge
6596	10M2J	Screw	13209	10D91	Bail Trip Strike	14177	1045Z	Body I.D. Plate
7191	104UK	Baitrunner Click Spring	13223	106S3	Dial Retainer	14178	10NWH	Body
7204	10KF3	Lock Washer	13224	1050X	Dial Retainer B	14179	108NW	Baitrunner Lever Arm R
7418	10L6L	Screw	13226	106RY	Dial Click	16299	10QPF	Roller Clutch Assembly
7419	10LLG	Screw	13227	106WH	Baitrunner Pawl Guide	18437	106RR	Free Spool Tension Spring
7926	103HN	Screw	13234	10LYF	Baitrunner Tension Dial	18544	10N27	Key Washer
8758	10HEN	Click Spring	13237	1033Y	Drag Washer			
8776	104KM	Oil Cap	13240	10M3W	Pinion Gear			

Please note that the number of adjusting washers may not be the same as shown in the exploded views.
(Adjustment will vary with each individual product.)

(231116)_006