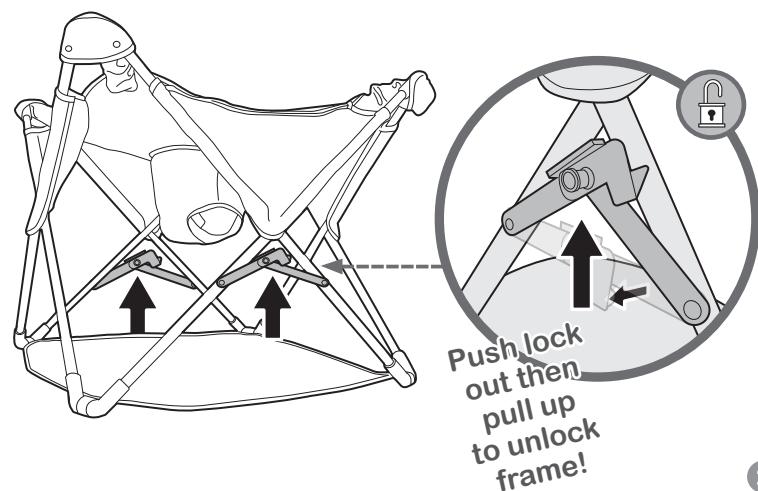
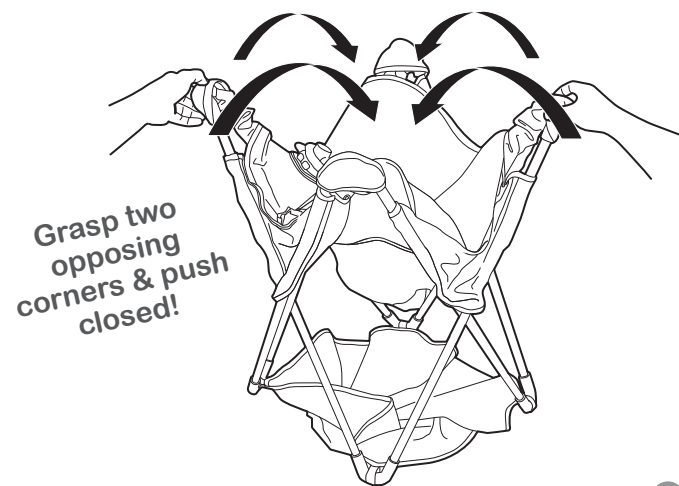


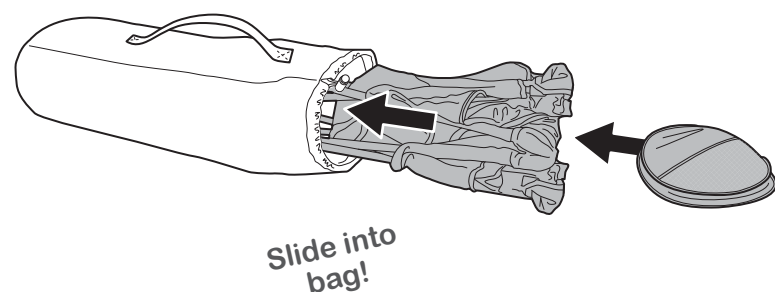
to store (continued):



2

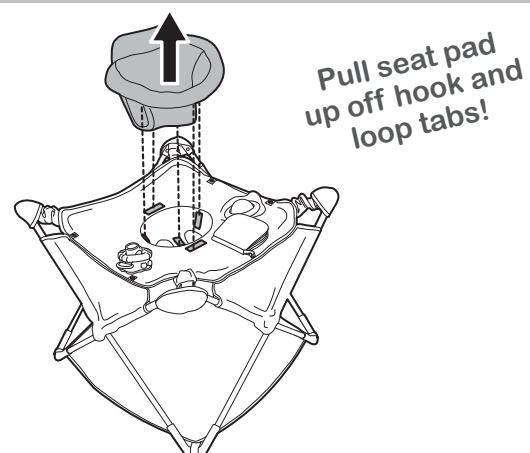


3

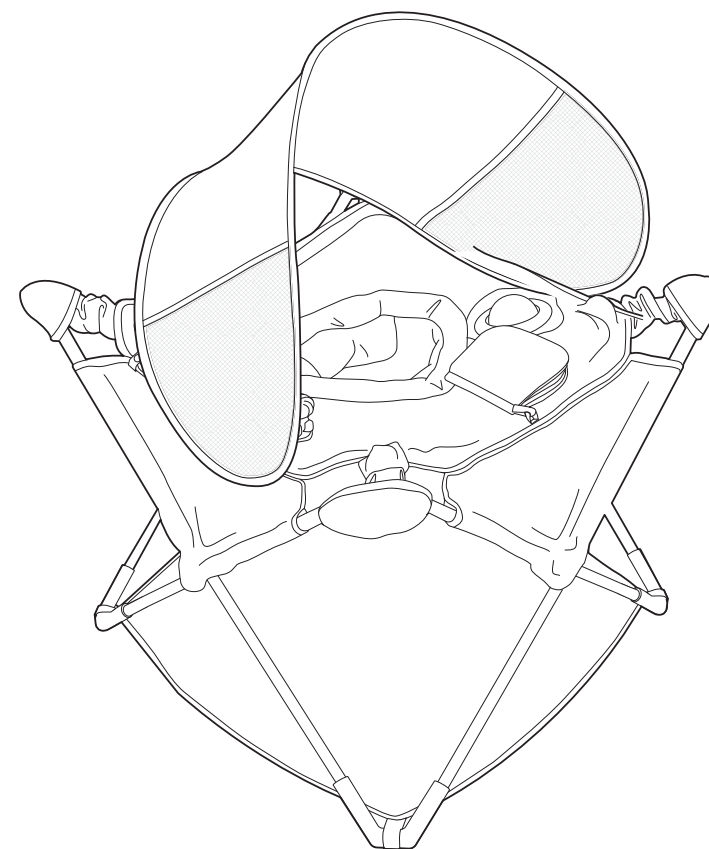


4

remove seat pad:




summer®



Please read the following instructions and warnings carefully before assembly and each use.

KEEP THIS INSTRUCTION MANUAL FOR FUTURE REFERENCE.

No tools required.

For technical support, contact us at **1-401-671-6551** or **www.summerinfant.com/contact**

For use with children from 6 - 12 months.

Adult assembly required.

USE ONLY FOR A CHILD:

- Who is able to hold head and neck upright unassisted.
- Who is not able to walk or climb out of product.
- Who weighs less than 25 lbs. (11.3 kg) and is less than 30 inches (76 cm) in height.

Pop N' Jump**INSTRUCTION MANUAL**

Thank you for purchasing the Pop N' Jump by Summer Infant. With a lightweight folding frame, jumping feature and playful toys, the Pop N' Jump is sure to keep your little one entertained, indoors or out, at home or on the go.

cleaning and maintenance:

IMPORTANT! Before assembly and each use, inspect this product for damaged hardware, loose joints, missing parts, or sharp edges. **DO NOT** use if any parts are missing or broken.

- Never use this product if there are any loose or missing fasteners, loose joints, broken parts or torn mesh/fabric. Check product before assembly and periodically during use. **Contact Summer Infant if any of these conditions are observed.**
- Wipe clean with a damp cloth or sponge, using mild soap and warm water to clean. Towel or air dry.
- Removable Seat: machine wash with like colors using mild soap. Tumble dry low.



We're here to help! If you have questions or need assistance, please contact our Consumer Relations Team at **1-401-671-6551** or **www.summerinfant.com/contact**

Summer Infant (USA), Inc.
1275 Park East Drive Woonsocket,
RI 02895 USA
1-401-671-6551
© 2011 Summer Infant (USA), Inc.

www.summerinfant.com

Please retain information
for future reference.
Colors and styles may vary.
MADE IN CHINA.

6/11

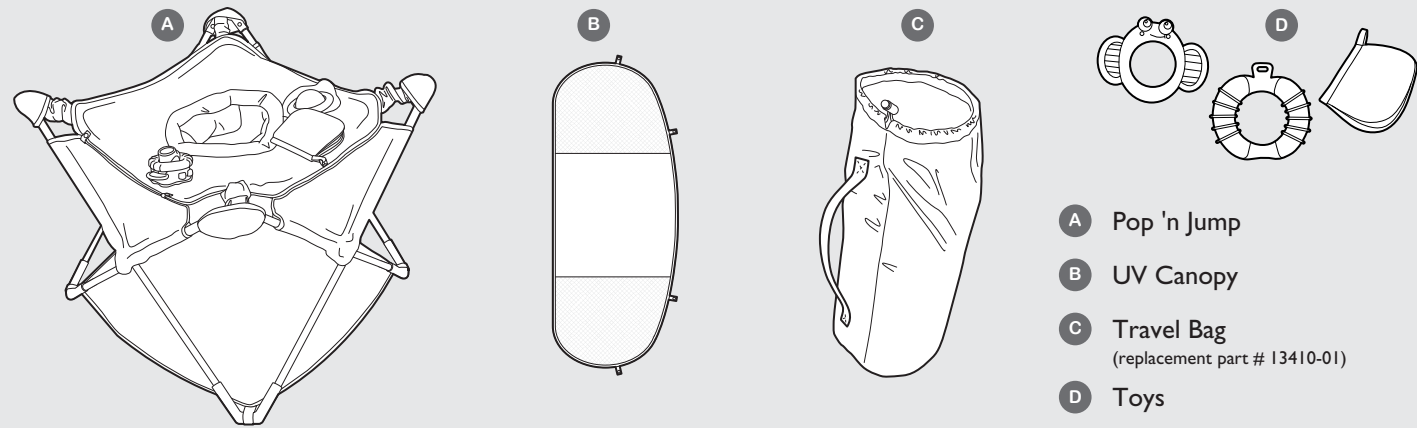
⚠ WARNING**FALL HAZARD**

- Babies can **FALL** from product resulting in head injuries.
- **NEVER** leave child unattended. **ALWAYS** keep child in view while in product.
- **NEVER** use near stairs, ovens, space heaters, fireplaces, swimming pools or any other object which may injure your child.
- To avoid tip over, place product on a flat, level surface.
- **NEVER** lift and/or carry child in product.
- Use only for child who is able to hold head and neck upright unassisted and who is not able to walk or climb out of product.
- **ALWAYS** ensure both locks are secure before placing child in product and check security of both locks before each use.
- **ALWAYS** install fabric seat insert prior to placing child in product.
- **NEVER** adjust seat while child is in product.
- Never try to spin child in fabric seat.
- **DO NOT** attempt to remove fabric floor.
- **DO NOT** use the product if it is damaged or broken.

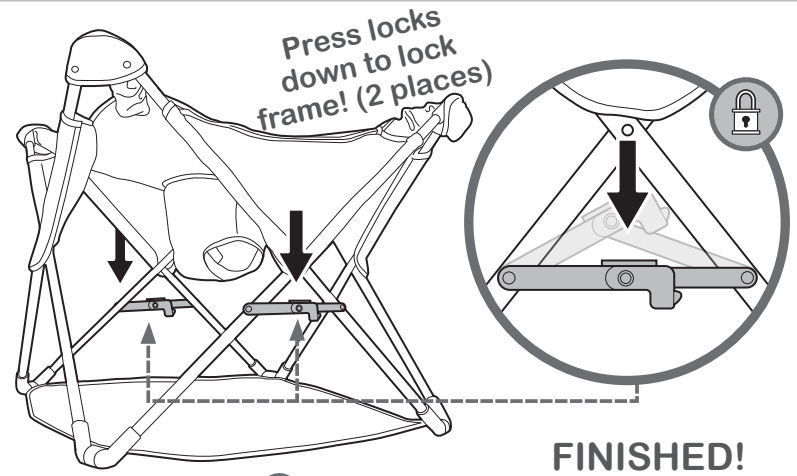
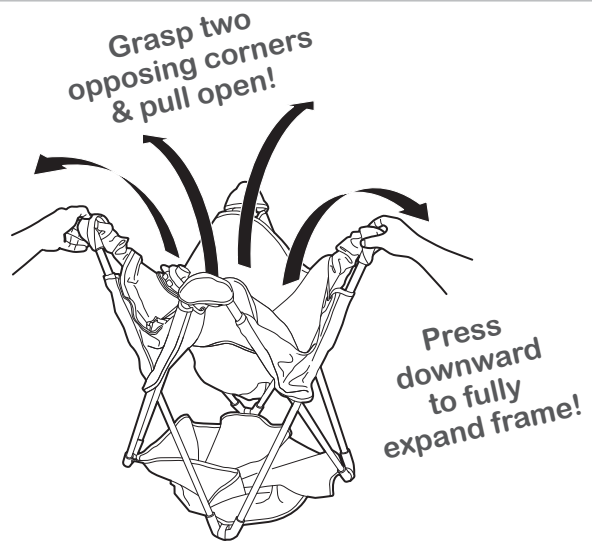
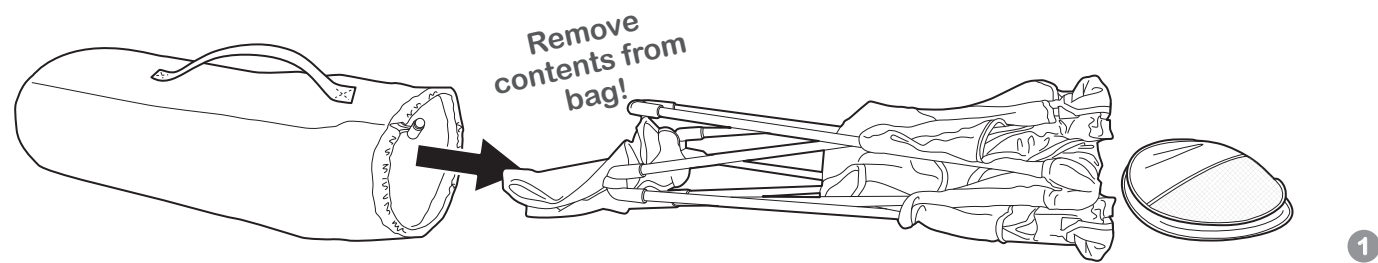
STRANGULATION HAZARD

- Strings can cause **STRANGULATION**.
- **DO NOT** place items with a string around child's neck, such as hood strings or pacifier cords.
- **DO NOT** suspend strings over product or attach strings to toys.

components:

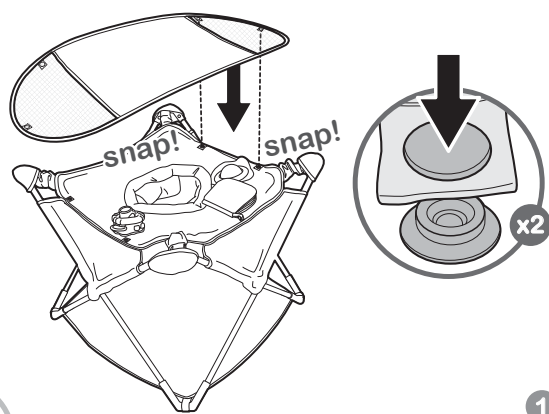


assembly:

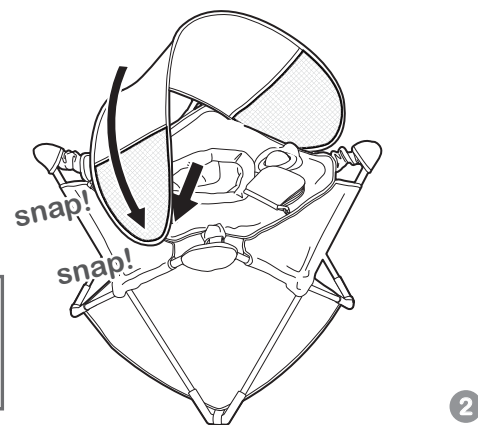


IMPORTANT: Check security of both locks before each use.

attach canopy:



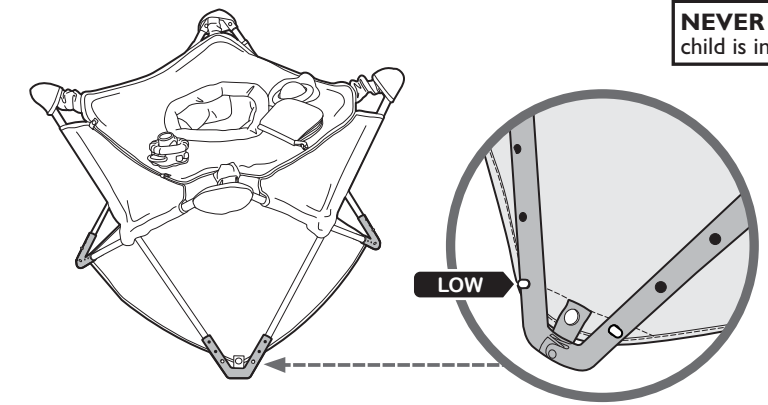
Hint: Adjust canopy for maximum coverage by gently pulling top of canopy forward so top/sides are fully extended!



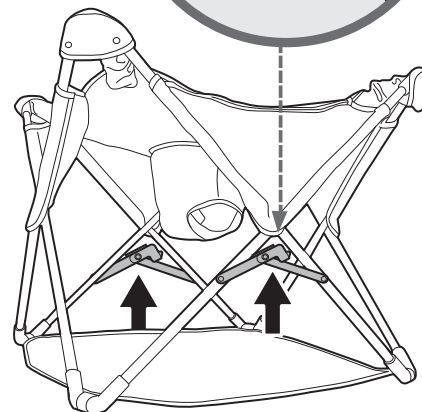
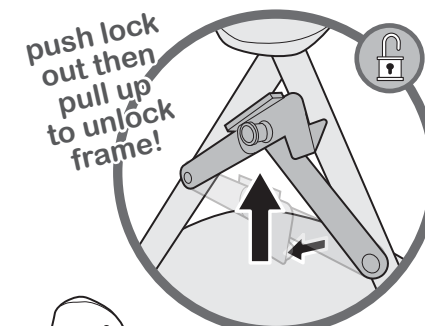
adjust seat height:

WARNING
NEVER adjust seat while child is in product.

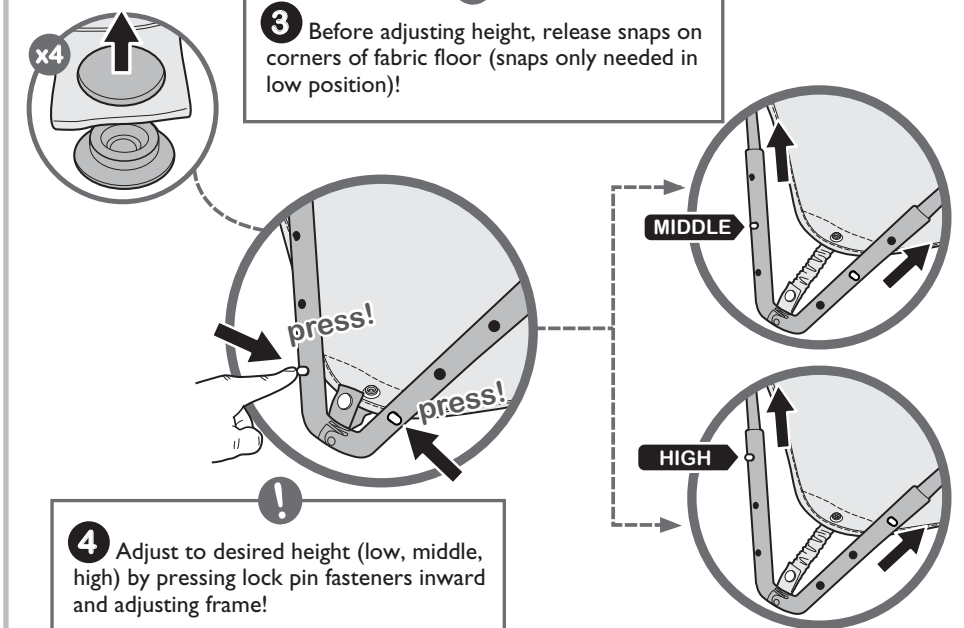
1 Initial setting out of package is to the lowest position. Place child in seat. Check distance between child's feet and floor. Child's toes should touch floor (without bouncing). If child is standing flat footed or toes are not touching floor, adjust height to any of the three positions (low for smallest child and high for tallest child).



2 Remove child from seat before adjusting height! Unlock 2 places, turn product upside down, and rest on floor for easy adjustment.



3 Before adjusting height, release snaps on corners of fabric floor (snaps only needed in low position!).



4 Adjust to desired height (low, middle, high) by pressing lock pin fasteners inward and adjusting frame!

IMPORTANT: Ensure lock pin fasteners are properly engaged (8 places). All fasteners must be adjusted to the same position. Relock frame (2 places).

IMPORTANT: Before assembly and each use, inspect this product for damaged hardware, loose joints, missing parts, or sharp edges. **DO NOT** use if any parts are missing or broken.

to store:

