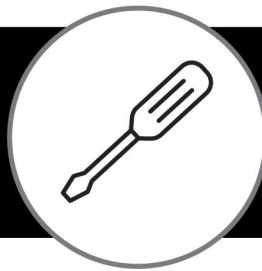


# Assembly Guide

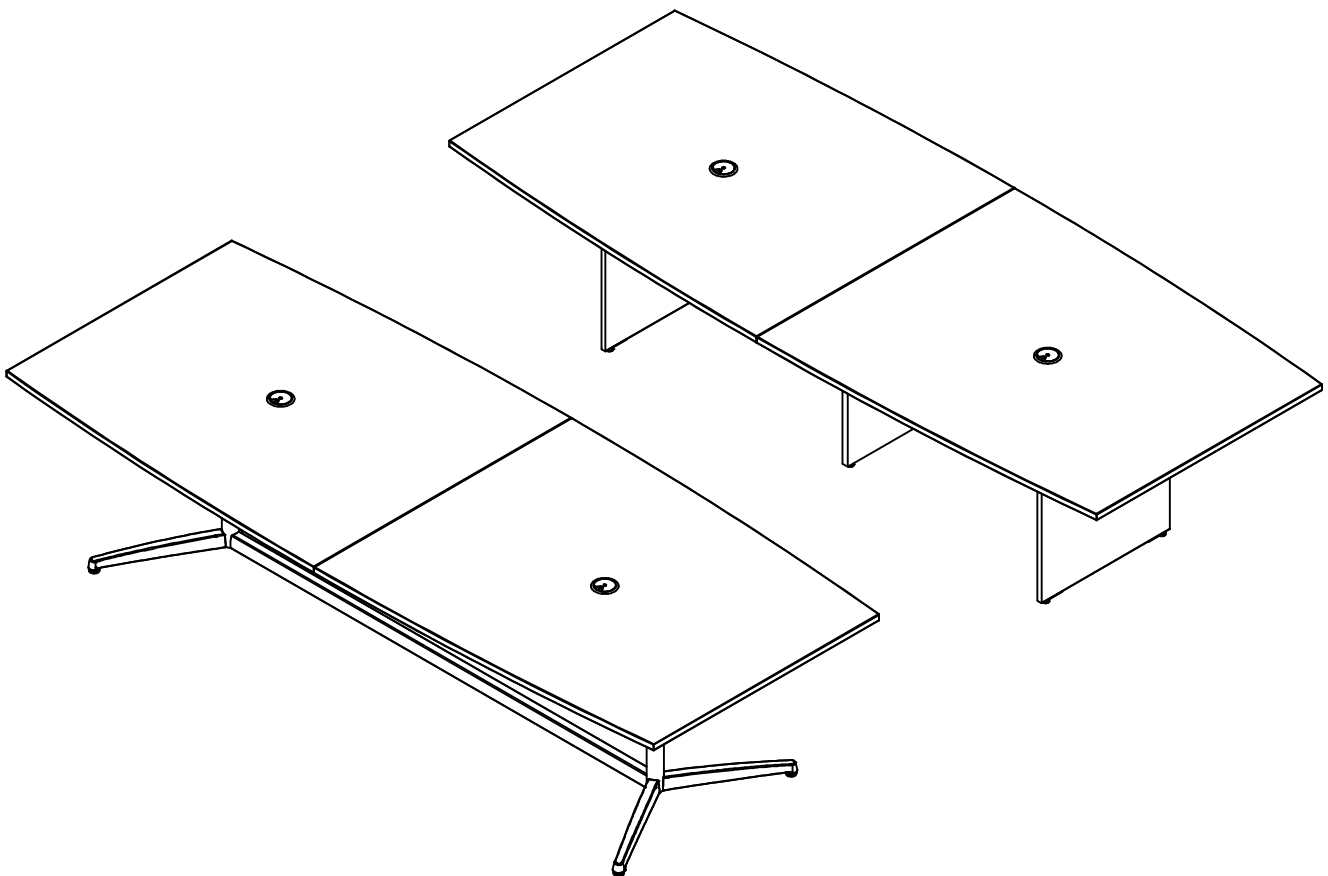


If you're having any difficulty during assembly of this product, don't hesitate to call us at **1-800-950-4782.**

Our customer service experts are trained to provide step-by-step instruction and can easily replace any missing or damaged parts.

**Representatives are available Monday-Friday from 8:30 a.m. to 7:30 p.m. (ET)**

## 120" x 48" Conference Table



Lot Code #

Instruction Sheet Number A176673D

Keep manual for future reference.

## For best results, keep these tips in mind:

- ① We know you want to finish this assembly as quickly as possible, but trust us: you'll have a better experience if you take it one step at a time.
- ② Give yourself some room to work near where you want the fully assembled product.
- ③ If your floor isn't carpeted, assemble this product on the empty carton to avoid scratching.
- ④ Do you have a friend who owes you a favor? Some steps may go a little easier with a second set of hands.

### DOs

- ✔ Use a #2 Phillips head screwdriver (or other handheld tools as indicated)
- ✔ Wear safety glasses at all times during assembly
- ✔ Carefully follow the instructions in this guide and complete all steps in order
- ✔ Give us a call if you're having trouble with a particularly tricky step

### DON'Ts

- ✘ We know power tools are quick and easy, but you shouldn't use them when assembling this product (unless otherwise specified)
- ✘ Never move your furniture with items inside or resting on the surface
- ✘ Do not attempt to use this product before all steps have been completed



## Watch assembly videos right on your phone or computer!



Some steps include QR codes that link to helpful videos. Watch out for the icon below! Simply open up your smartphone camera to scan the code.

*(Users of older smartphones may need to install a QR Reader.)*

**SCAN HERE**



**FOR VIDEOS**

Or visit <https://www.bushbusinessfurniture.com/CustomerService/HowtoAssemble.aspx>

# IMPORTANT SAFETY INFORMATION



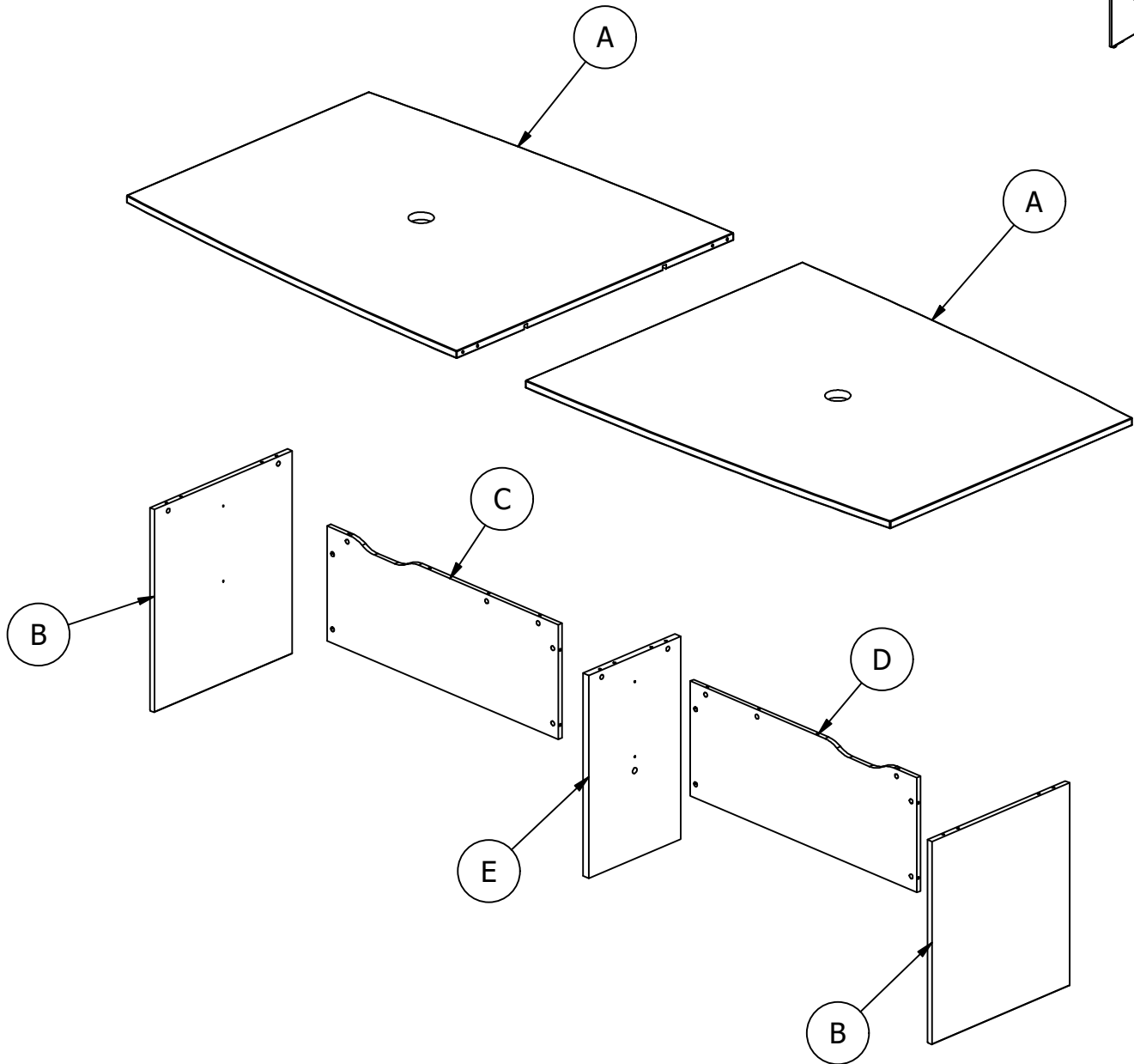
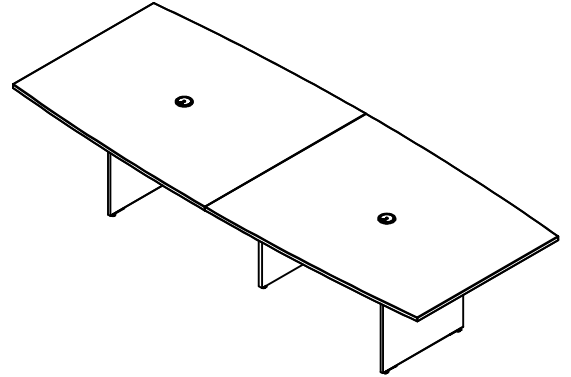
## PLEASE READ WARNINGS

Improper use can cause safety hazards, or damage to your furniture and household items.

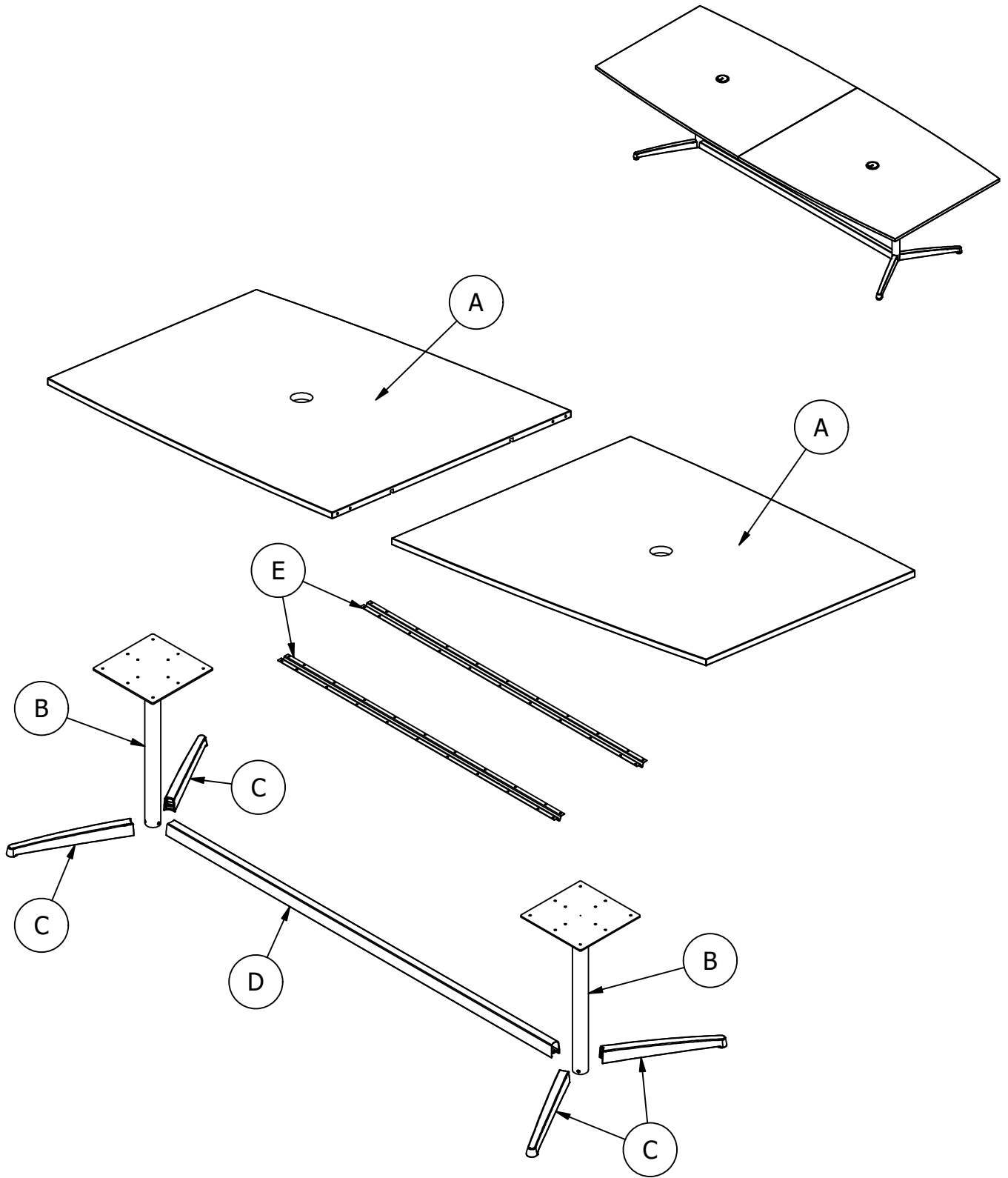
Warning	Do	Don't	Why it's important
<b>Serious injury may occur.</b>	<ul style="list-style-type: none"><li>Assemble following all instructions using all indicated parts and hardware provided.</li></ul>	<ul style="list-style-type: none"><li>Do not move unit when loaded.</li><li>Do not load with a television or other heavy equipment.</li><li>Do not exceed the maximum load limits stated in the instructions.</li></ul>	Improper assembly, use or loading can lead to product instability, tip-over or collapse.

Advertencia	Hacer	No	Por qué es importante
<b>Se pueden producir lesiones graves.</b>	<ul style="list-style-type: none"><li>Ensamble siguiendo todas las instrucciones utilizando todas las piezas y ferretería indicados provistos.</li></ul>	<ul style="list-style-type: none"><li>No mueva la unidad cuando esté cargada.</li><li>No cargue con un televisor u otro equipo pesado.</li><li>No exceda los límites máximos de carga establecidos en las instrucciones.</li></ul>	El ensamblaje, uso o carga inadecuados pueden provocar inestabilidad del producto, vuelco o colapso.

Avertissement	Faire	Ne le fais pas	Pourquoi c'est important
<b>Des blessures graves peuvent survenir.</b>	<ul style="list-style-type: none"><li>Assemblez en suivant toutes les instructions en utilisant toutes les pièces et le matériel indiqués fournis.</li></ul>	<ul style="list-style-type: none"><li>Ne déplacez pas l'unité lorsqu'elle est chargée.</li><li>Ne chargez pas avec un téléviseur ou un autre équipement lourd.</li><li>Ne dépassez pas les limites de charge maximale indiquées dans les instructions.</li></ul>	Un assemblage, une utilisation ou un chargement incorrects peuvent entraîner une instabilité du produit, un renversement ou un effondrement.



Have an assembly question or need a replacement part? Just call  
**1-800-950-4782**, we are here to help.

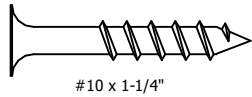


Have an assembly question or need a replacement part? Just call  
**1-800-950-4782**, we are here to help.

Fasteners are shown actual size.

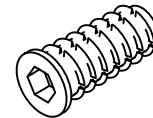
## 99CBASE120 WOOD BASE ASSEMBLY

H26053



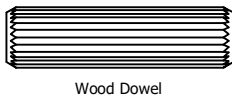
[ 14 ]

H24806



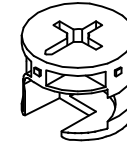
[ 6 ]

H38169



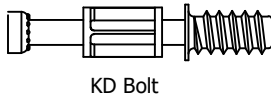
[ 12 ]

H71659



[ 20 ]

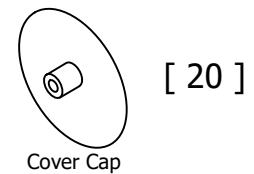
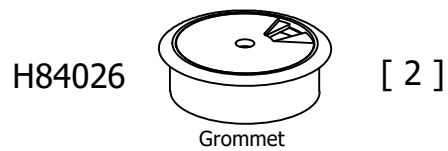
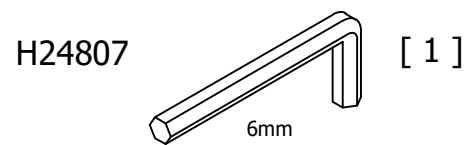
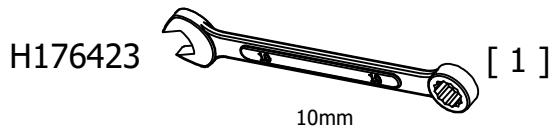
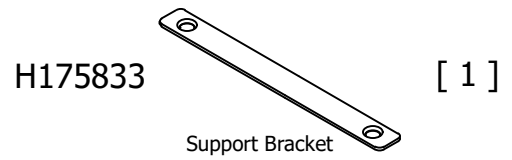
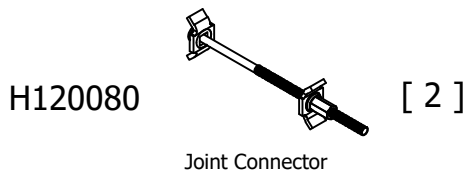
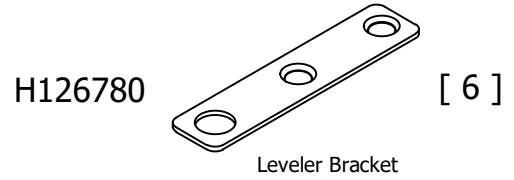
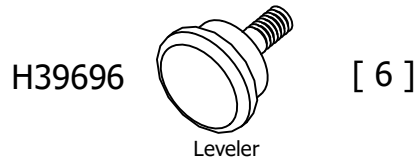
H72988



[ 20 ]

Hardware not to scale.

**99CBASE120  
WOOD BASE ASSEMBLY**

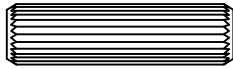


Have an assembly question or need a replacement part? Just call  
**1-800-950-4782**, we are here to help.

Fasteners are shown actual size.

## 991YLEGSV, 99STCH120ASV METAL BASE ASSEMBLY

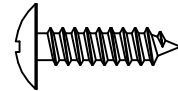
H38169



Wood Dowel

[ 4 ]

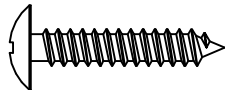
H142302



#10 x 3/4"

[ 40 ]

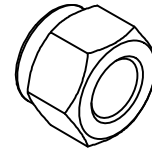
H23682



#10 x 1"

[ 20 ]

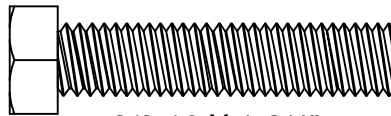
H172196



lock Nut 3/8-16

[ 6 ]

H172195



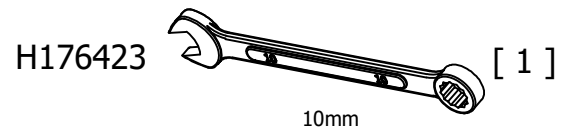
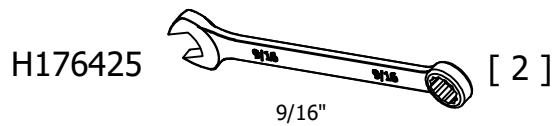
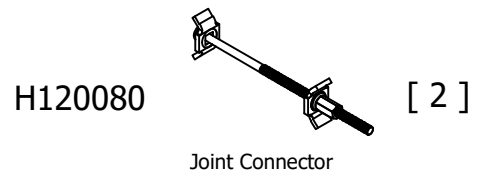
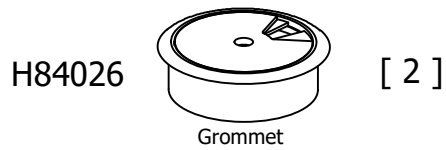
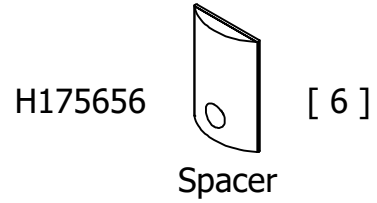
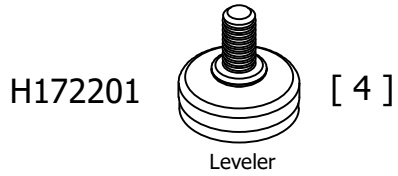
3/8-16 X 1-3/4"

[ 6 ]

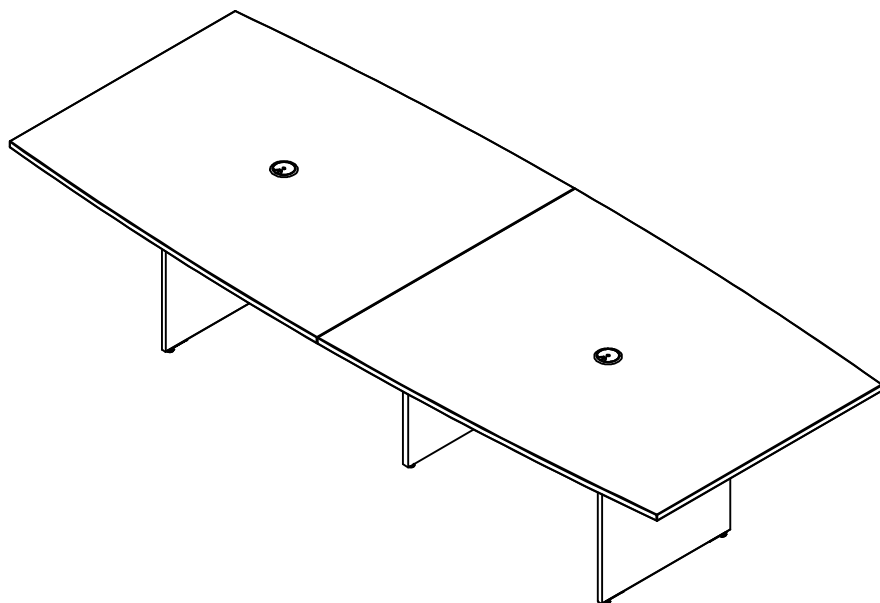


Hardware not to scale.

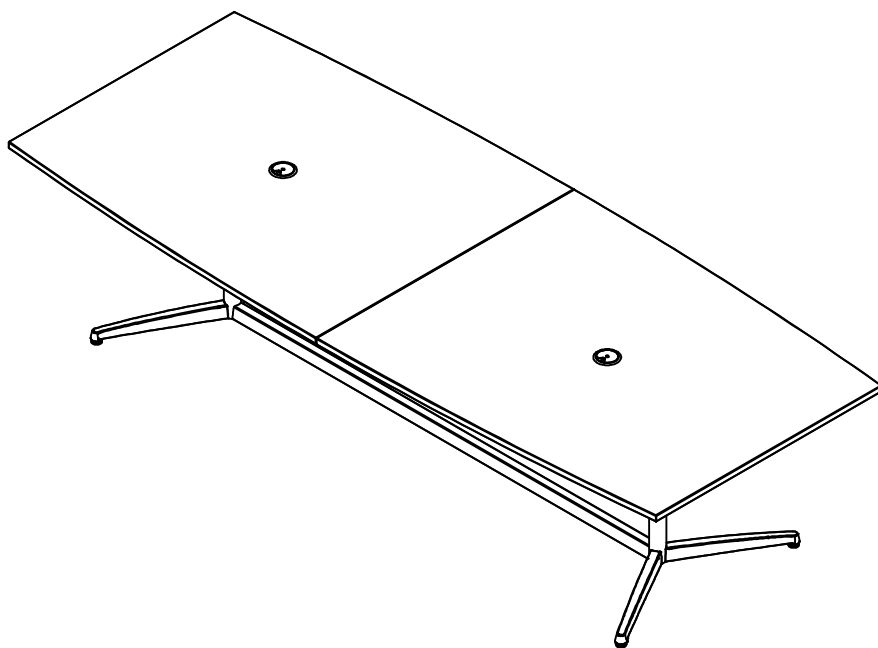
## 991YLEGSV, 99STCH120ASV METAL BASE ASSEMBLY



Have an assembly question or need a replacement part? Just call  
**1-800-950-4782**, we are here to help.



Go to Step 2.  
Proceda al paso 2.  
Allez à l'étape 2.



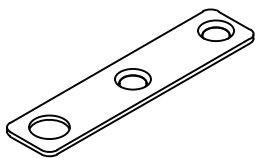
Go to Step 13.  
Proceda al paso 13.  
Allez à l'étape 13.

# STEP 2

# Prepare Panels

A176673D

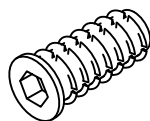
H126780



Leveler Bracket

[ 4 ]

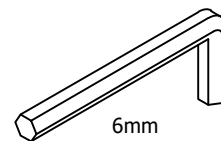
H24806



Caster Insert

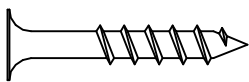
[ 4 ]

H24807



6mm

H26053



#10 x 1-1/4"

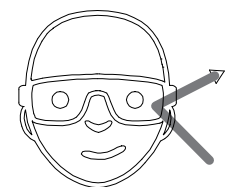
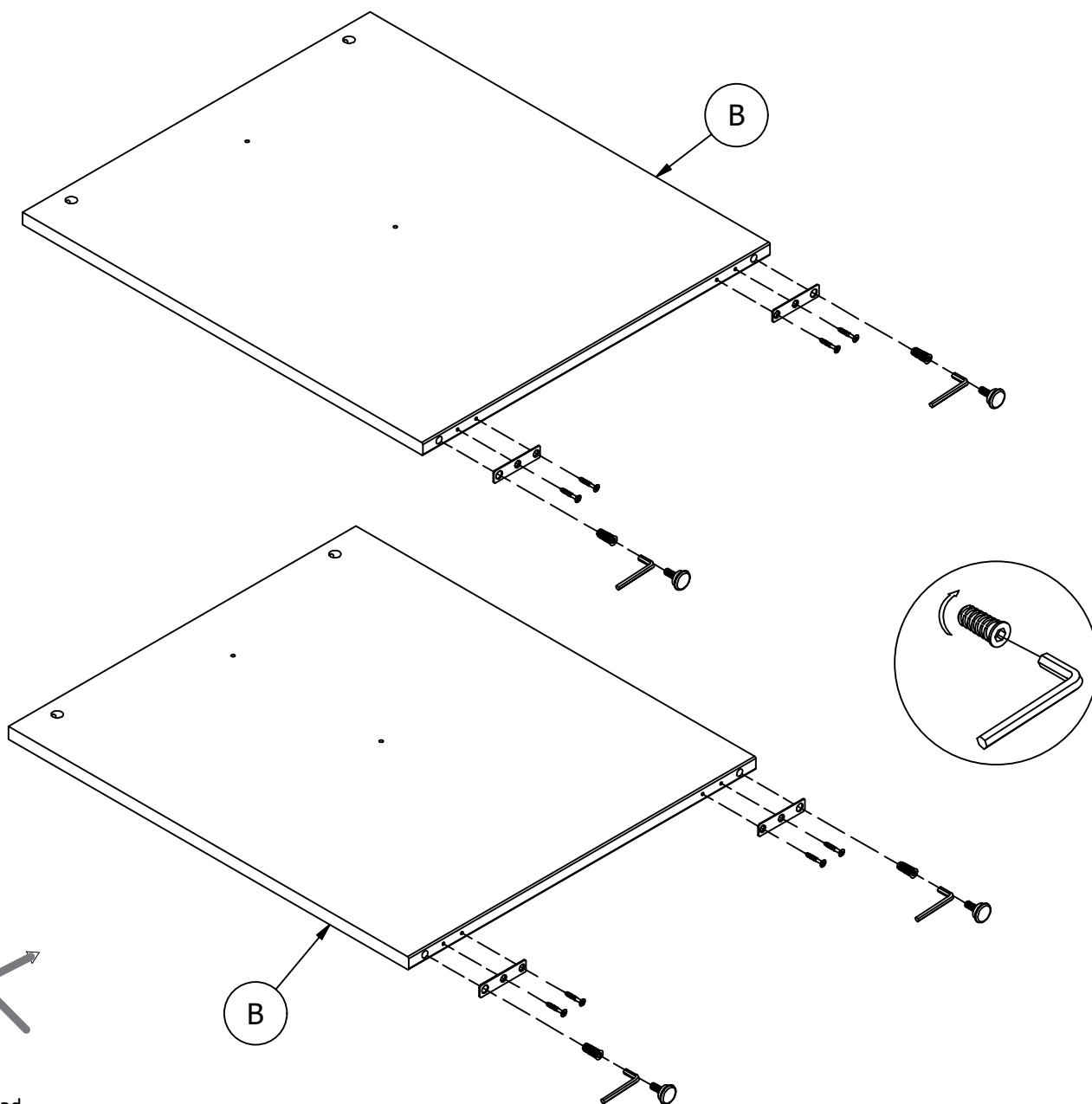
[ 8 ]

H39696



Leveler

[ 4 ]



Safety glasses  
Gafas de seguridad  
Lunettes de protection

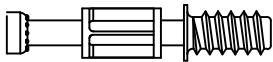
Have an assembly question or need a replacement part? Just call  
**1-800-950-4782**, we are here to help.

# STEP 3

# Prepare Panels

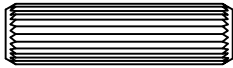
A176673D

H72988 [ 4 ]

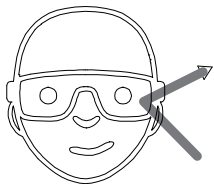
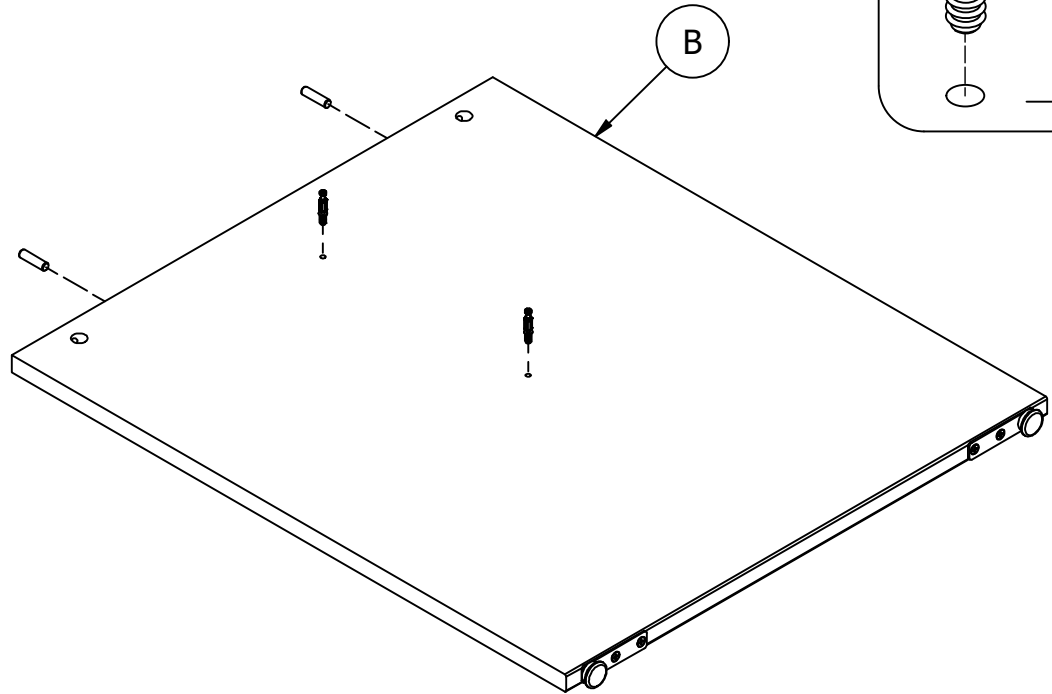
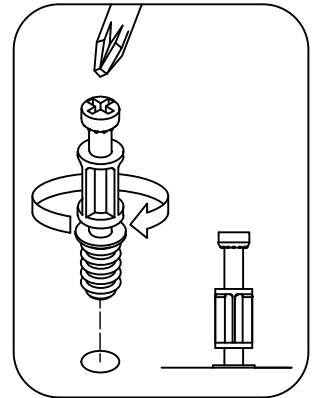


KD Bolt

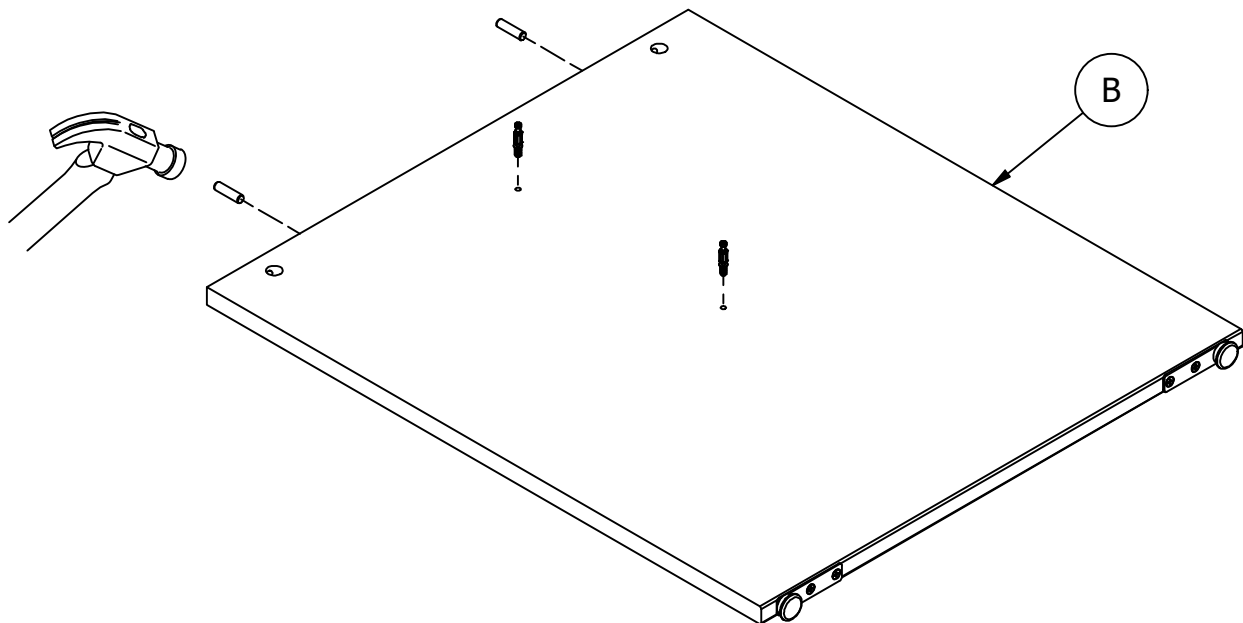
H38169 [ 4 ]



Wood Dowel



Safety glasses  
Gafas de seguridad  
Lunettes de protection

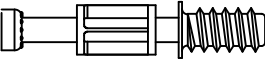


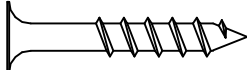
Have an assembly question or need a replacement part? Just call  
**1-800-950-4782**, we are here to help.


# STEP 4


# Prepare Panel

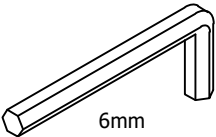
A176673D

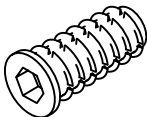
H72988  [ 4 ]  
KD Bolt

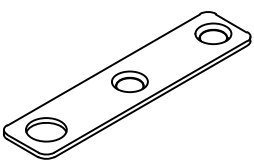
H26053  [ 4 ]  
#10 x 1-1/4"

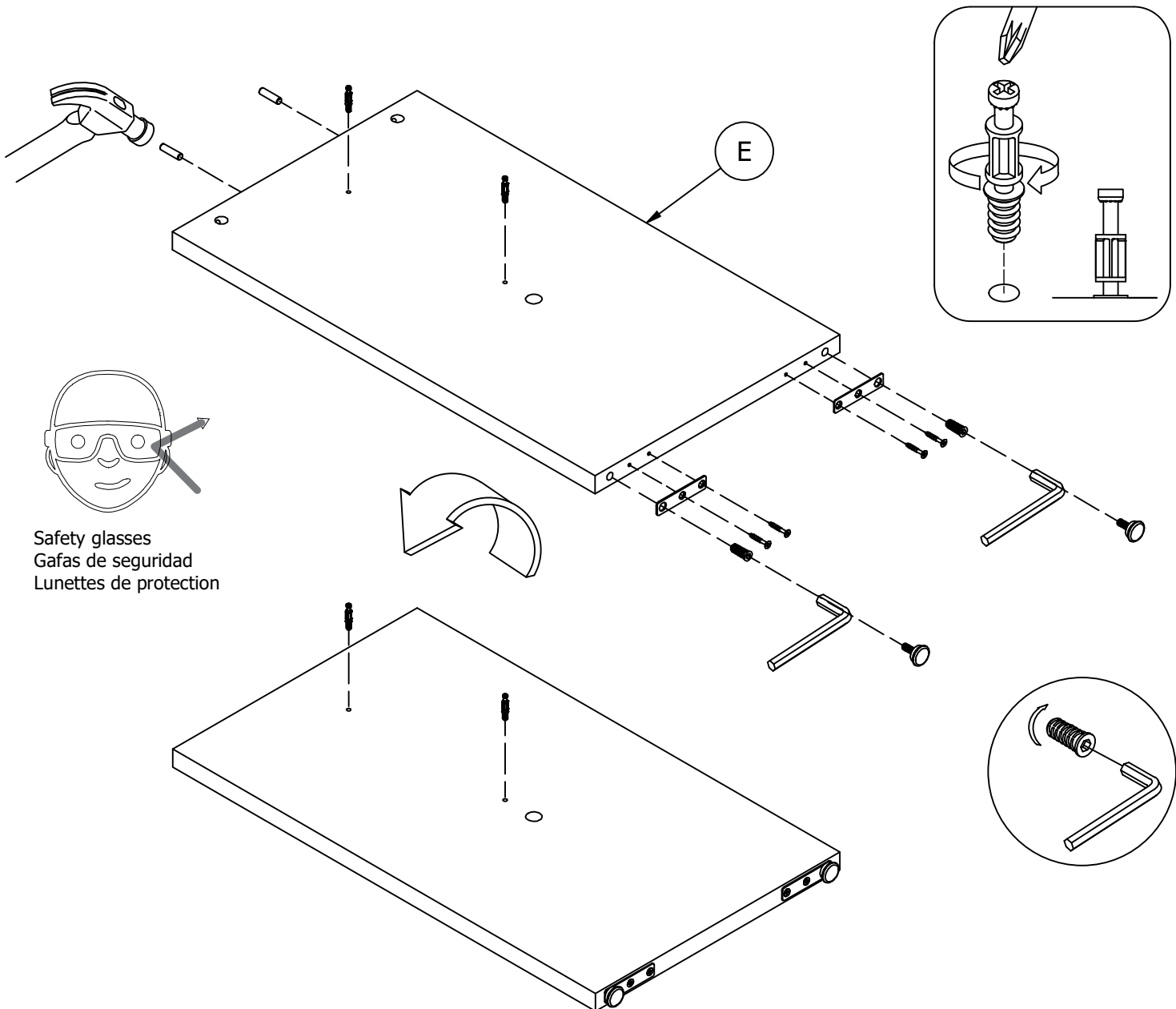
H38169  [ 2 ]  
Wood Dowel

H39696  [ 2 ]  
Leveler

H24807  6mm

H24806  [ 2 ]  
Caster Insert

H126780  [ 2 ]  
Leveler Bracket



  
Safety glasses  
Gafas de seguridad  
Lunettes de protection

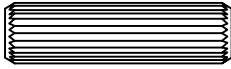
Have an assembly question or need a replacement part? Just call  
**1-800-950-4782**, we are here to help.

# STEP 5

## Prepare Panels

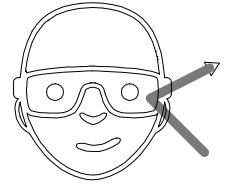
A176673D

H38169

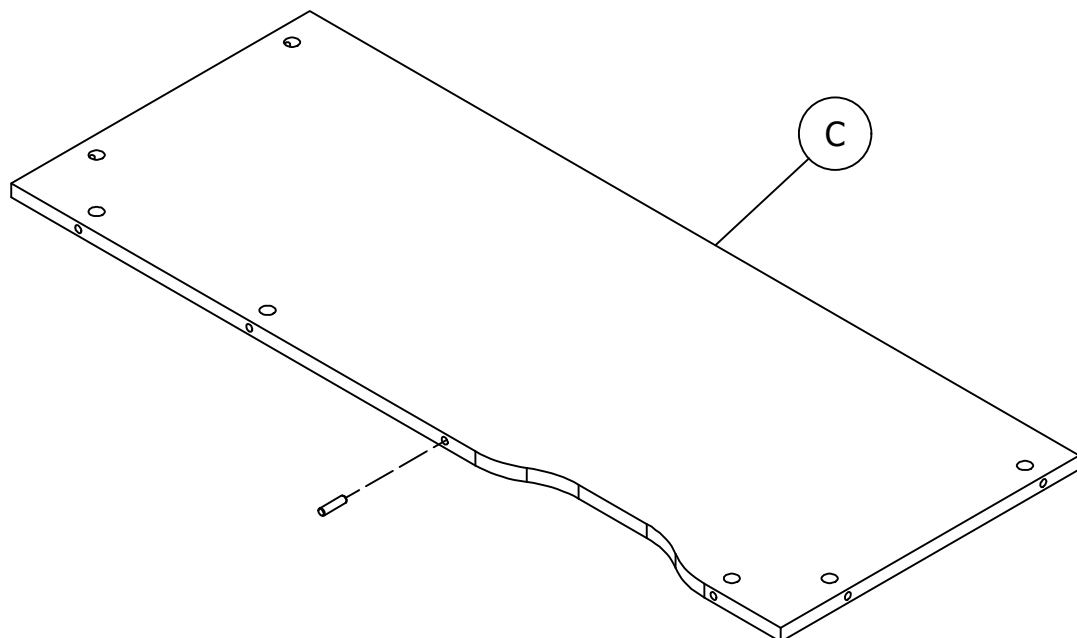
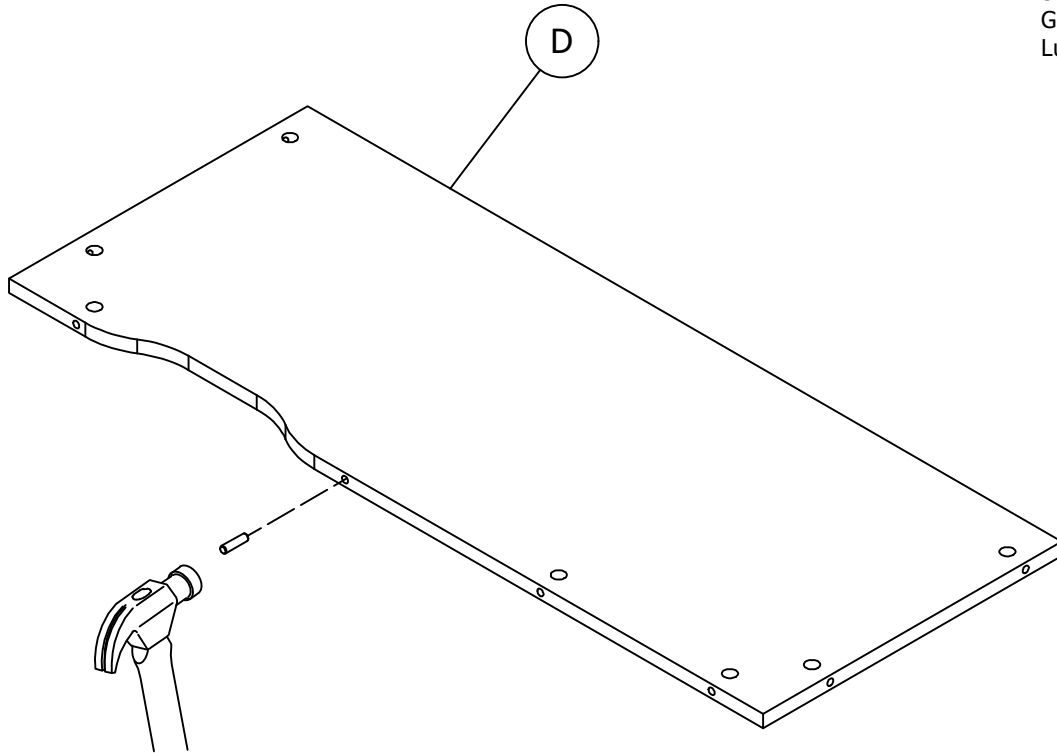


Wood Dowel

[ 2 ]



Safety glasses  
Gafas de seguridad  
Lunettes de protection

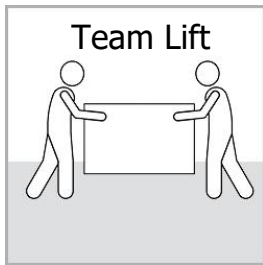


Have an assembly question or need a replacement part? Just call  
**1-800-950-4782**, we are here to help.

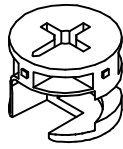
Scan QR Code to Watch Video on:



How to Tighten KD Cams



H71659



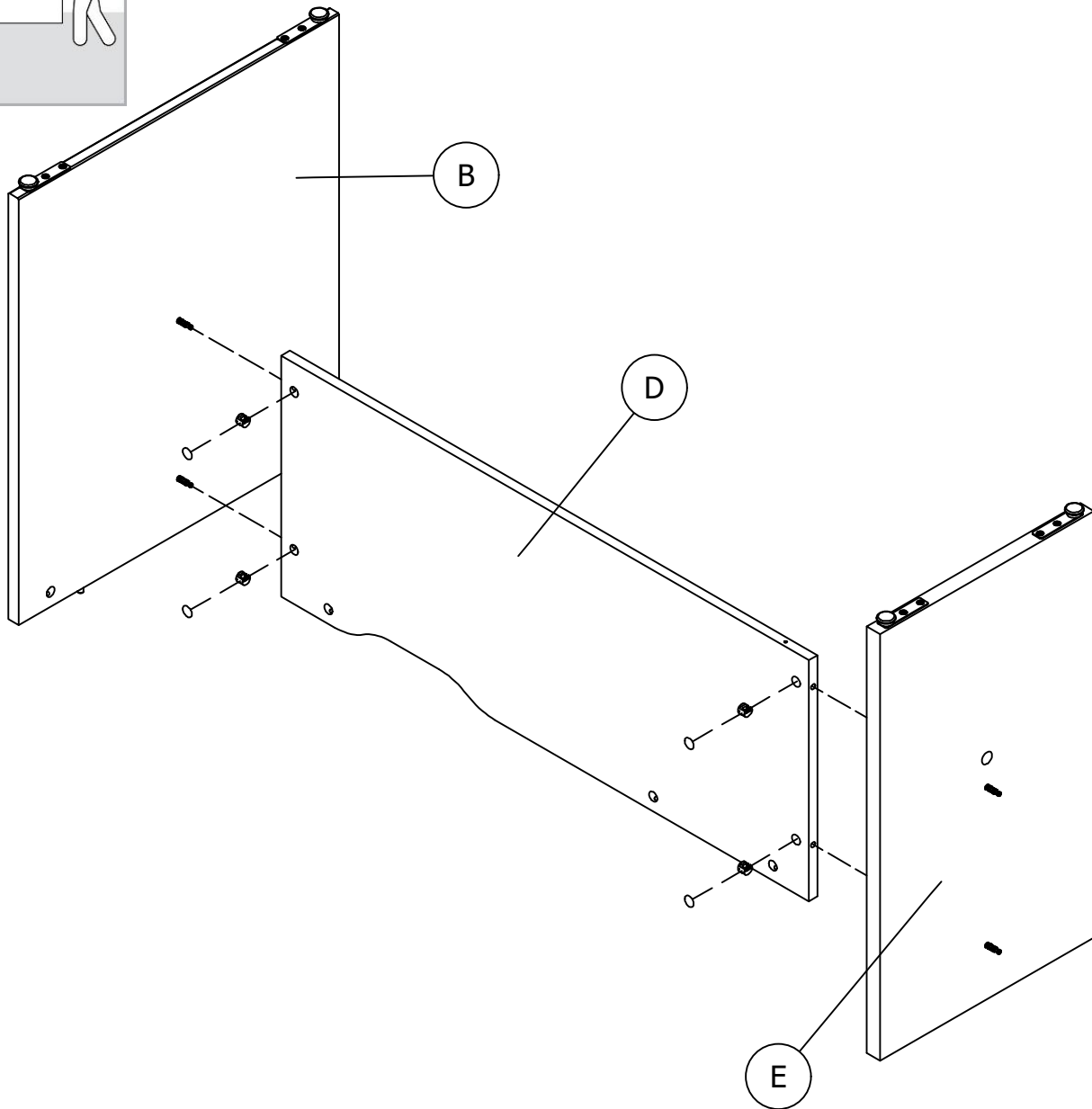
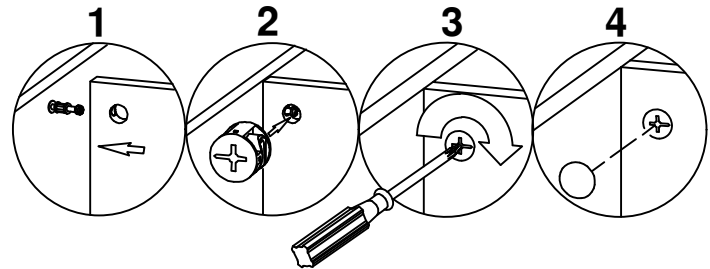
KD Cam

[ 4 ]



Cover Cap

[ 4 ]

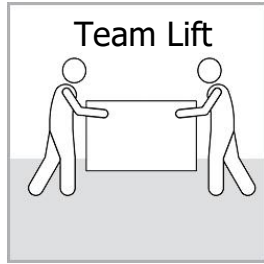


Have an assembly question or need a replacement part? Just call **1-800-950-4782**, we are here to help.

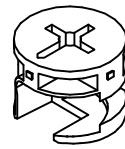
Scan QR Code to Watch Video on:



How to Tighten KD Cams

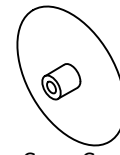


H71659



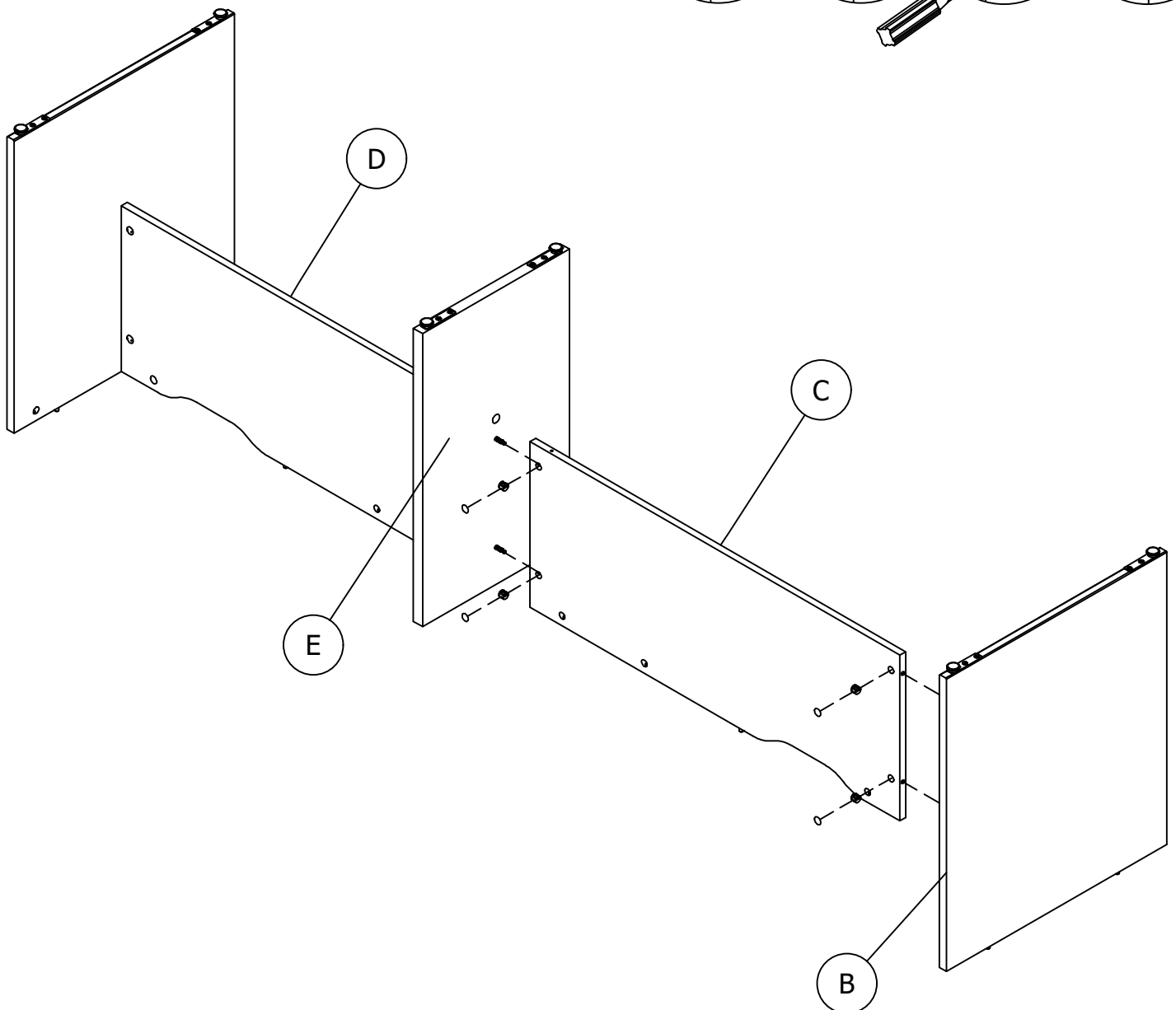
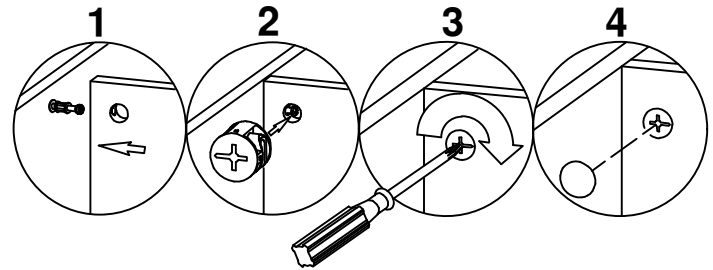
KD Cam

[ 4 ]



Cover Cap

[ 4 ]



Have an assembly question or need a replacement part? Just call **1-800-950-4782**, we are here to help.

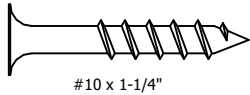


# STEP 8

# Attach Hardware

A176673D

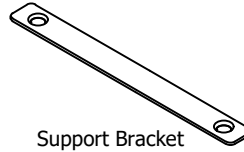
H26053



#10 x 1-1/4"

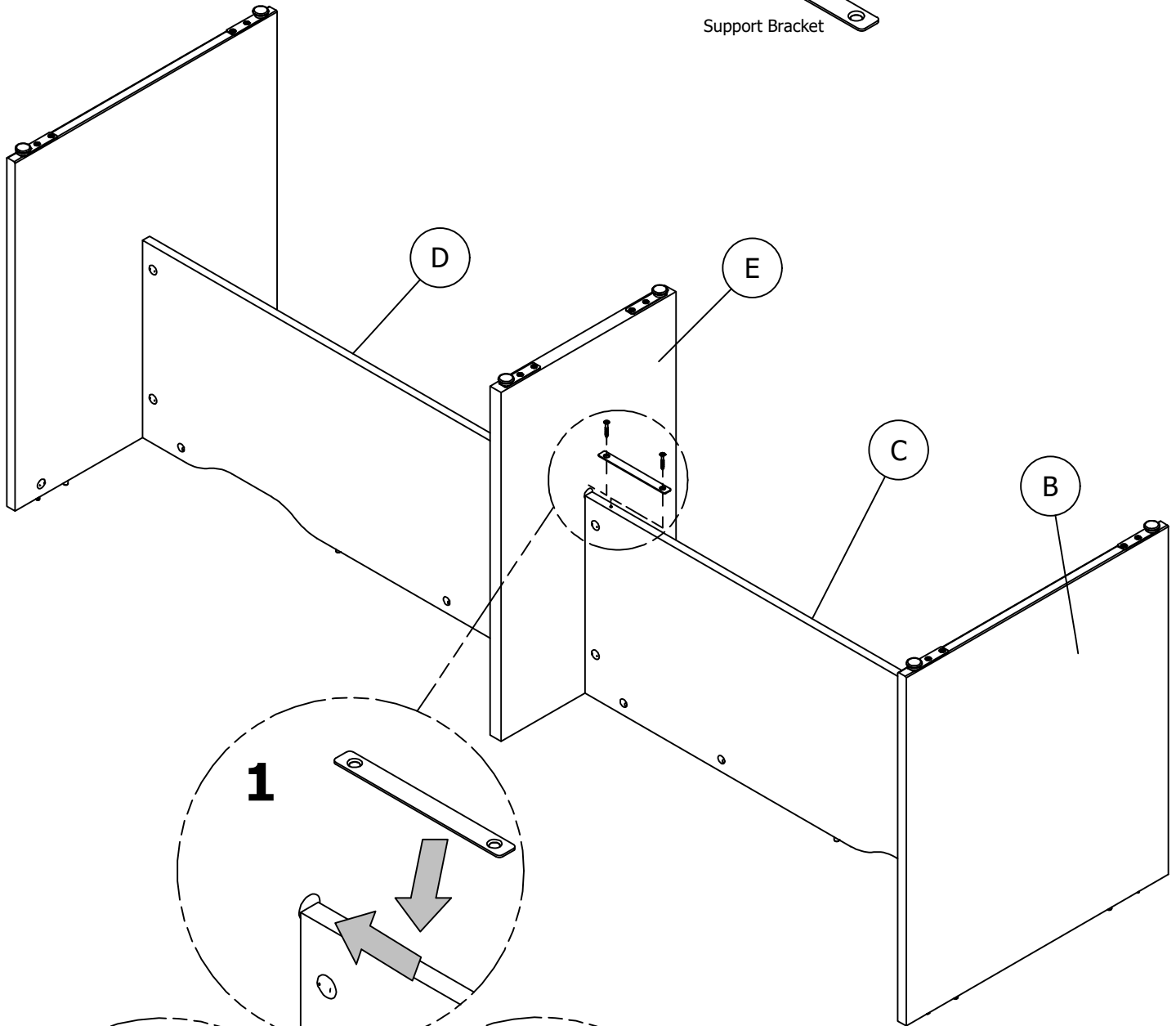
[ 2 ]

H175833

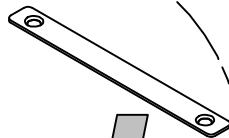


Support Bracket

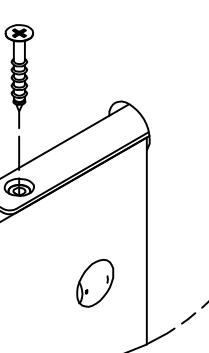
[ 1 ]



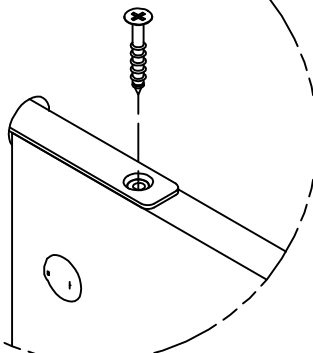
**1**



**2**



**3**

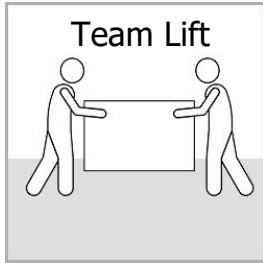


Have an assembly question or need a replacement part? Just call **1-800-950-4782**, we are here to help.

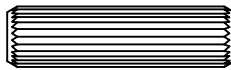
# STEP 9

# Assemble Panels

A176673D



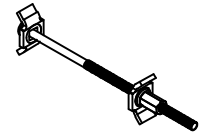
H38169



[ 4 ]

Wood Dowel

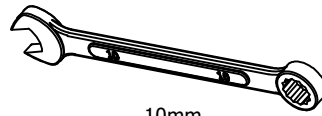
H120080



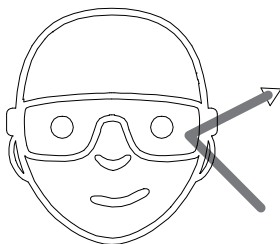
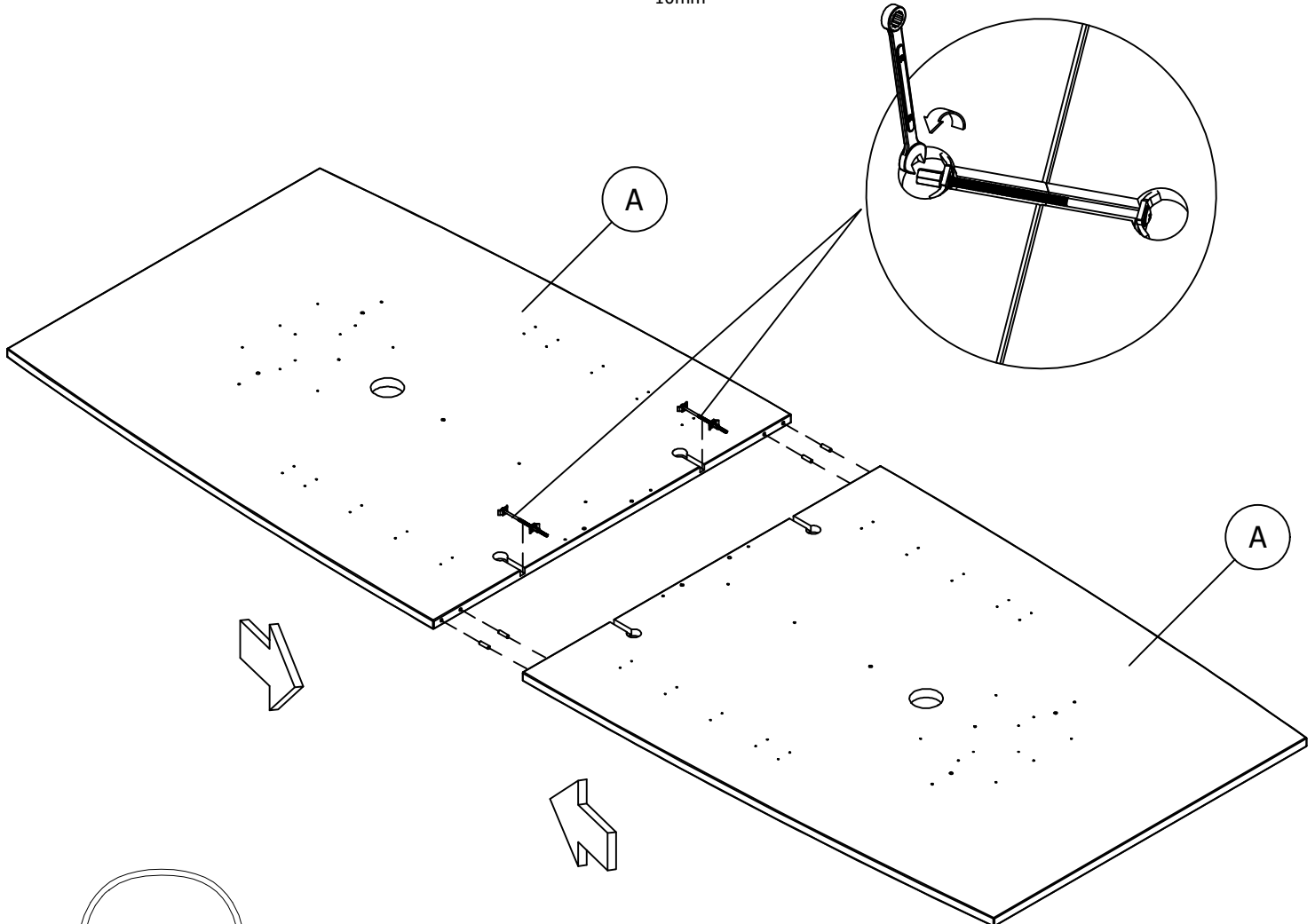
[ 2 ]

Joint Connector

H176423



10mm



Safety glasses  
Gafas de seguridad  
Lunettes de protection

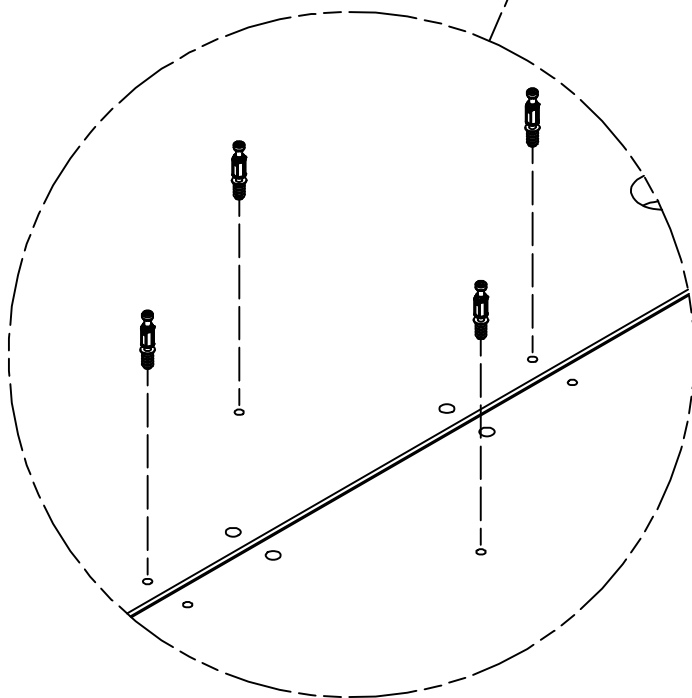
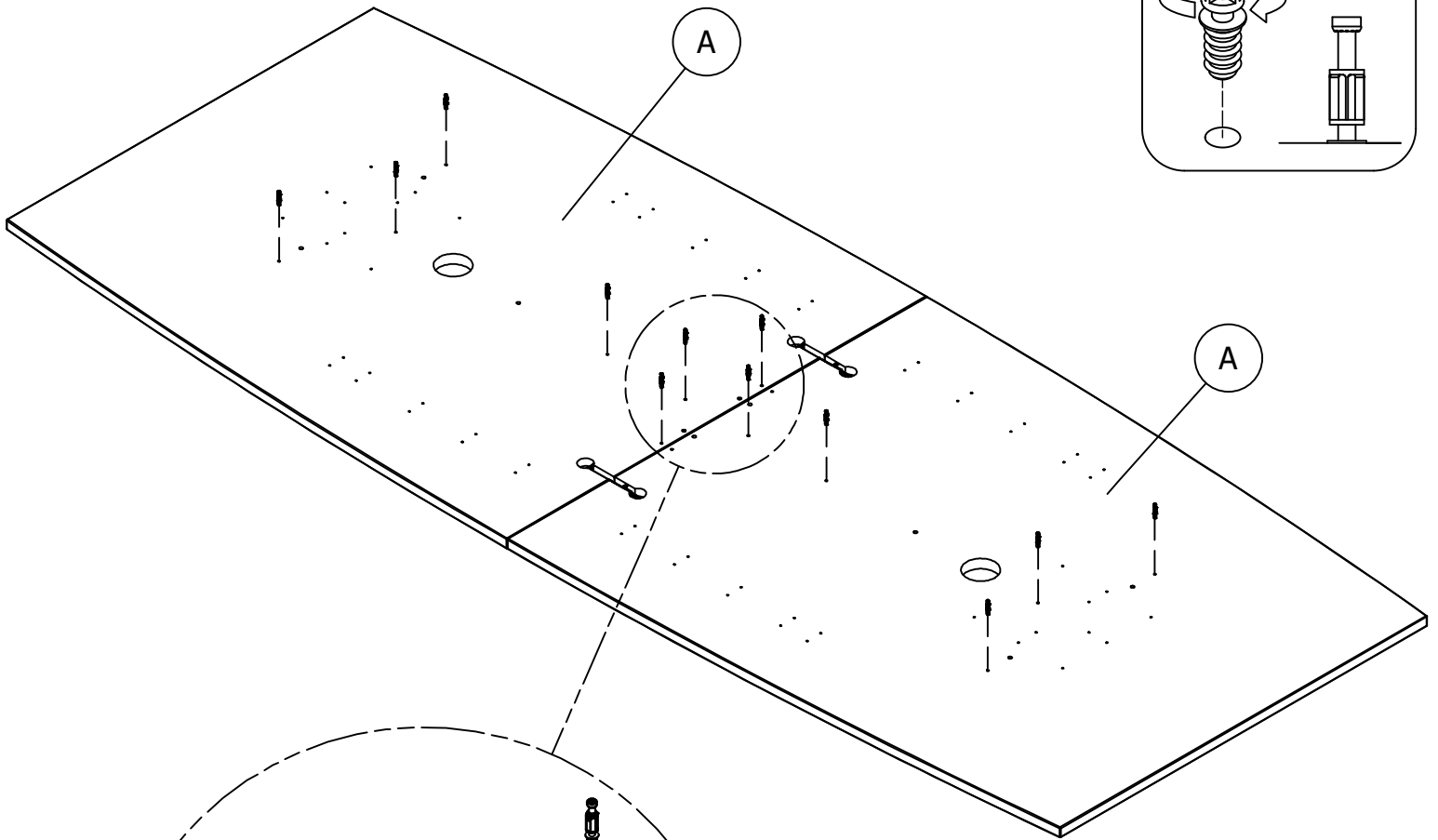
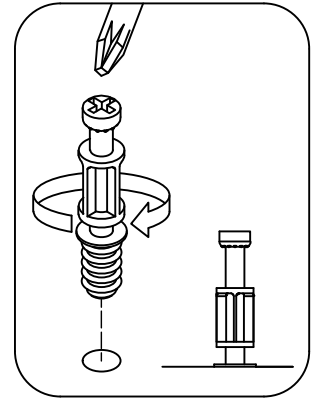
Have an assembly question or need a replacement part? Just call  
**1-800-950-4782**, we are here to help.

# STEP 10

# Prepare Panels

A176673D

H72988 [ 12 ]  
KD Bolt

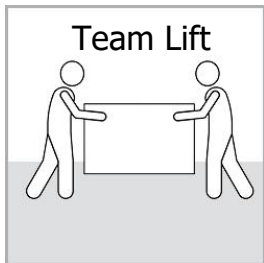


Have an assembly question or need a replacement part? Just call **1-800-950-4782**, we are here to help.

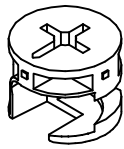
Scan QR Code to Watch Video on:



How to Tighten KD Cams



H71659



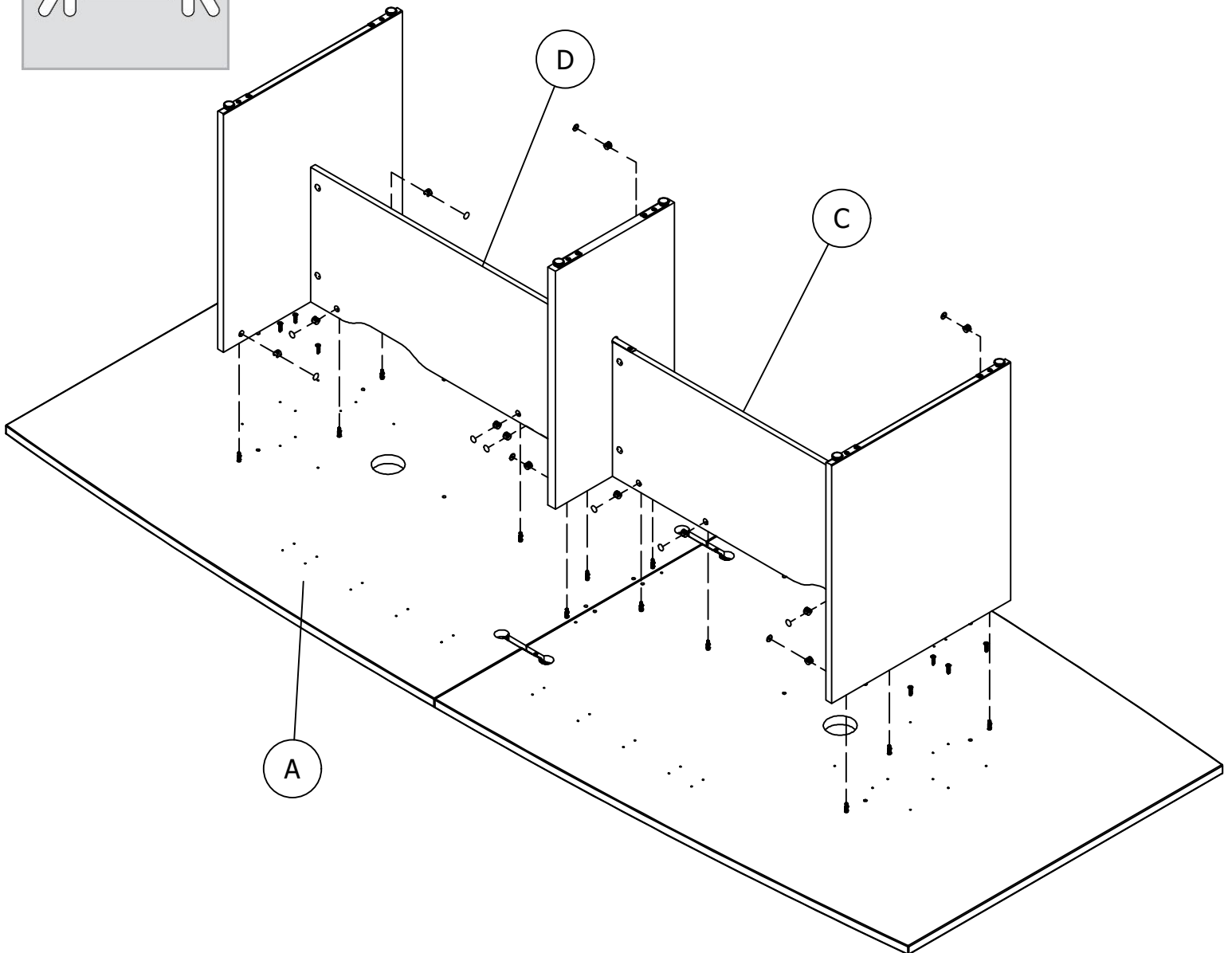
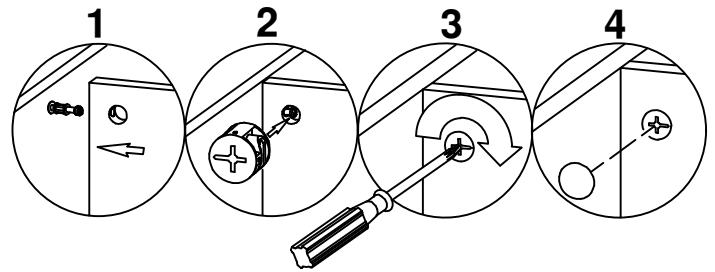
KD Cam

[ 12 ]



Cover Cap

[ 12 ]



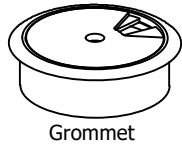
Have an assembly question or need a replacement part? Just call **1-800-950-4782**, we are here to help.

Scan QR Code to Watch Video on:



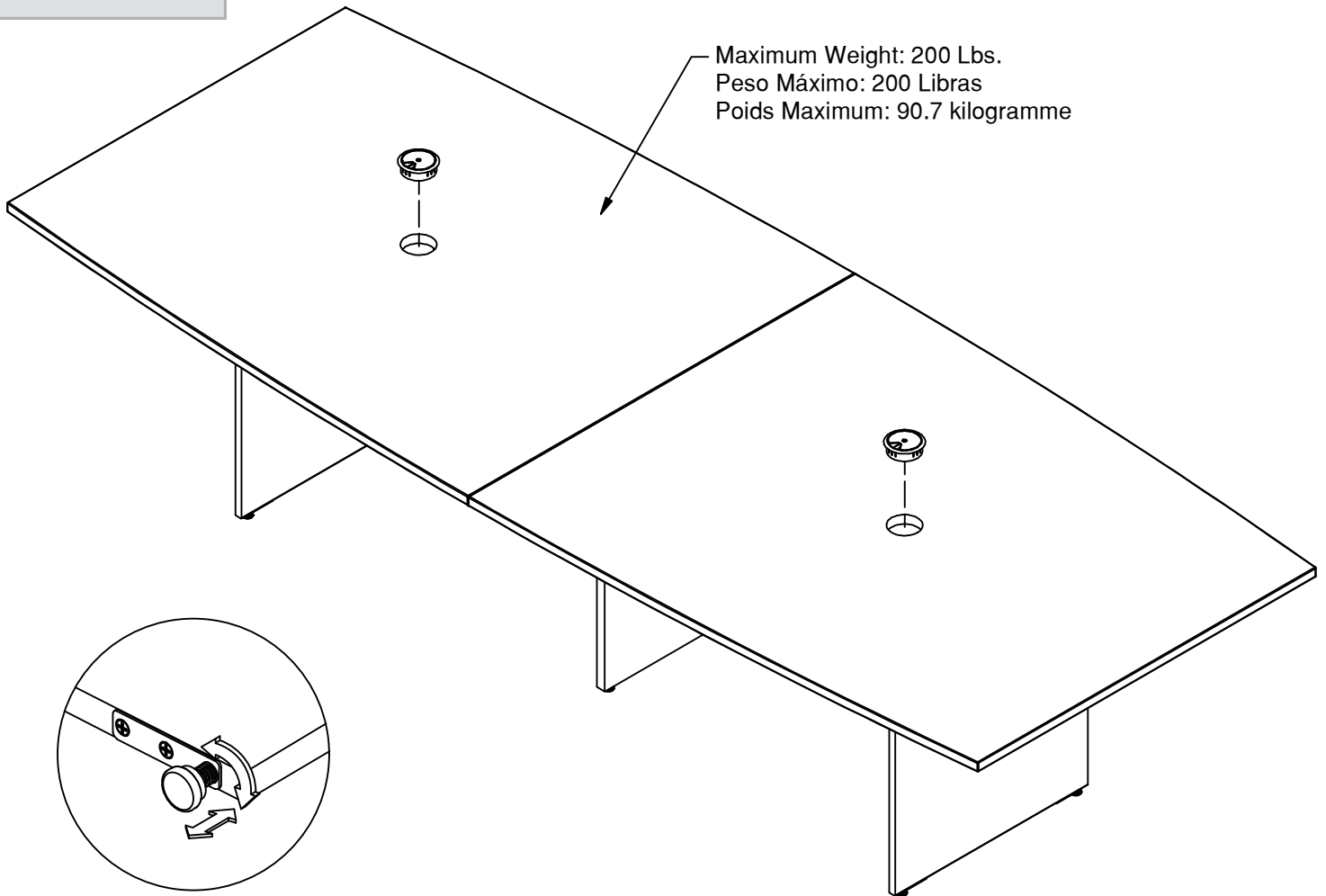
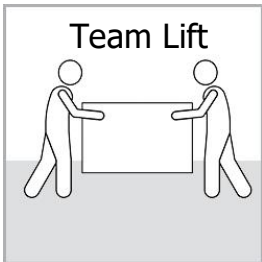
How to Clean the Surface

Gently clean surfaces with a damp sponge eraser.



[ 2 ]

Grommet

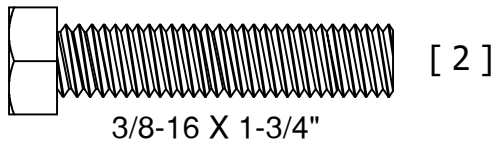


Maximum Weight: 200 Lbs.  
Peso Máximo: 200 Libras  
Poids Maximum: 90.7 kilogramme

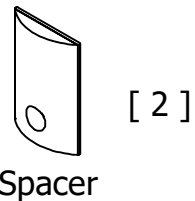
Congratulations! You are all done. If you have any questions or concerns, please call.

Have an assembly question or need a replacement part? Just call **1-800-950-4782**, we are here to help.

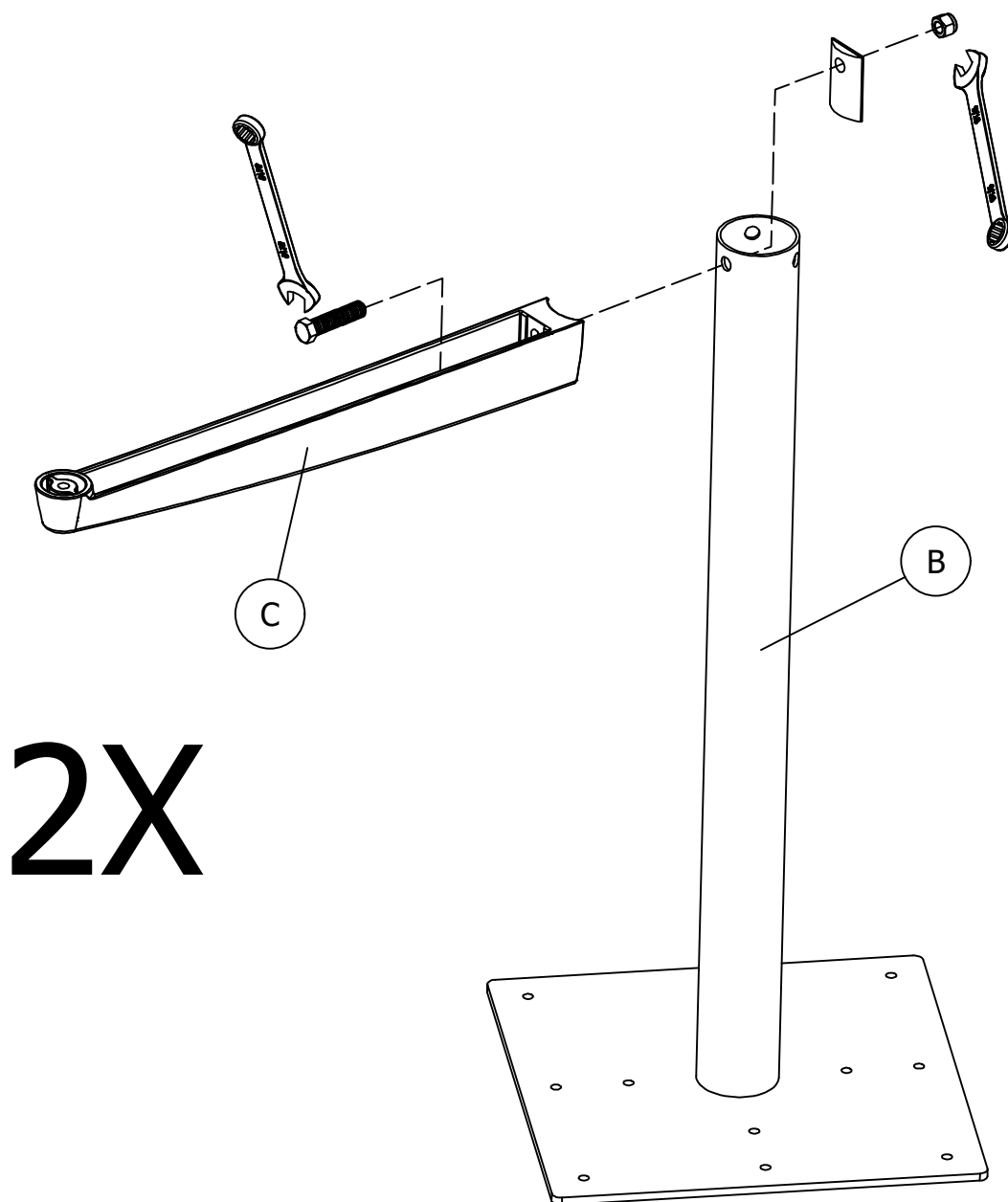
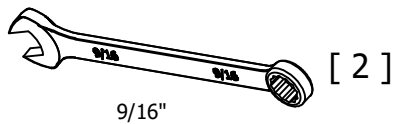
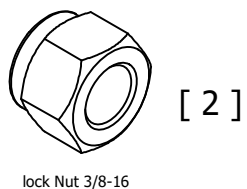
H172195



H175656



H172196



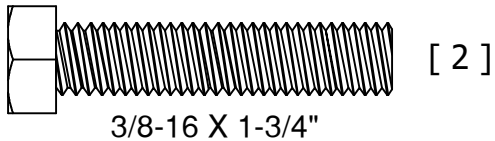
2X

# STEP 14

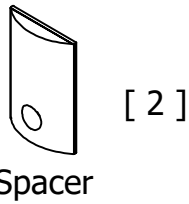
# Assemble Base

A176673D

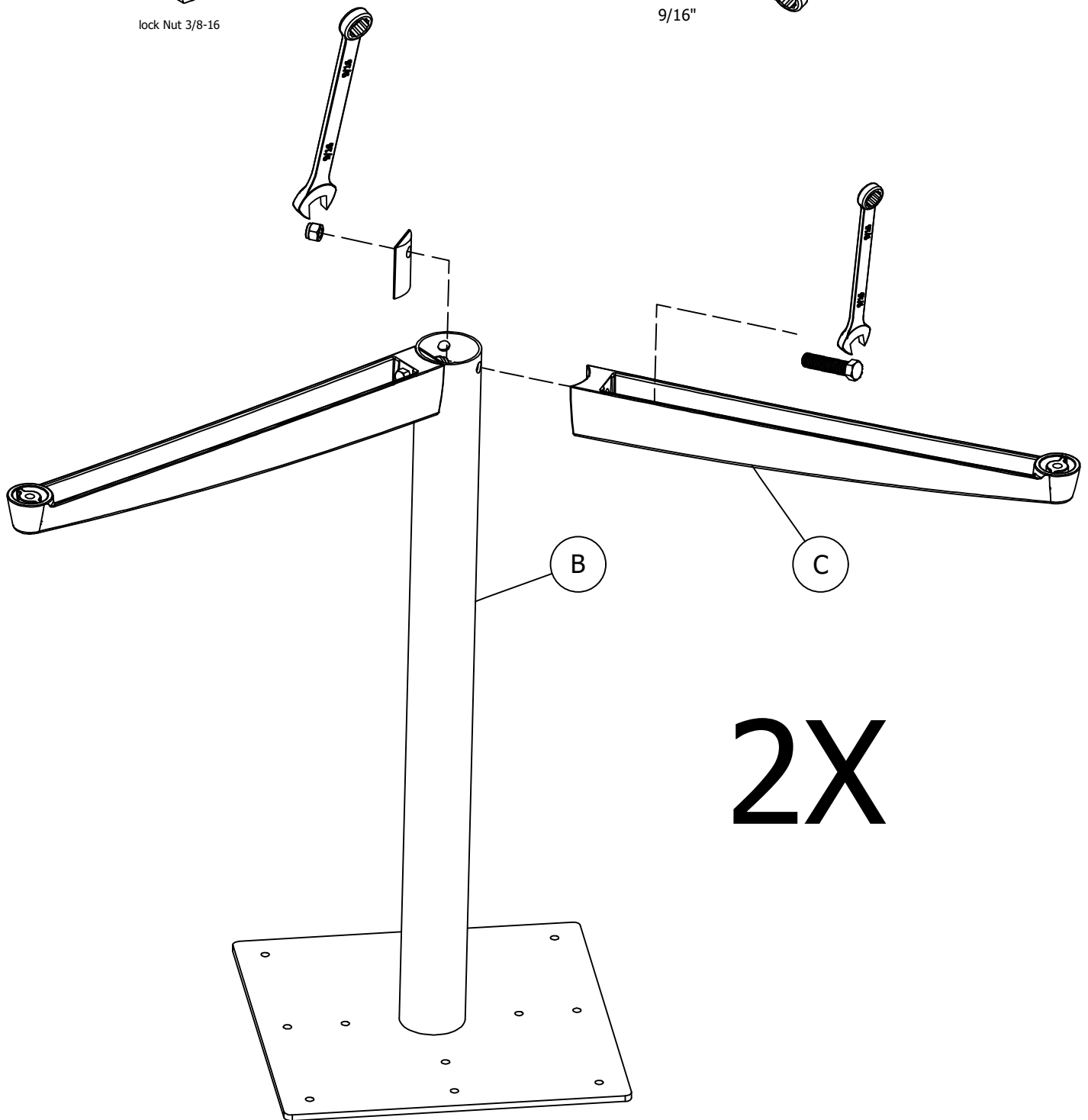
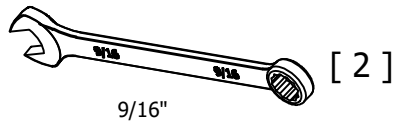
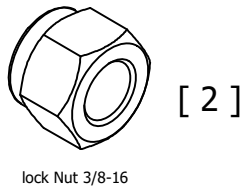
H172195



H175656



H172196



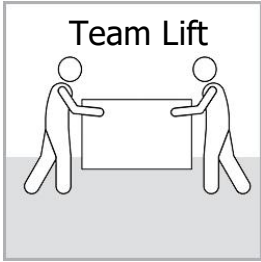
# 2X

Have an assembly question or need a replacement part? Just call  
**1-800-950-4782**, we are here to help.

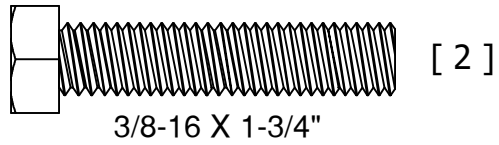
# STEP 15

# Assemble Base

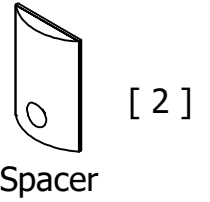
A176673D



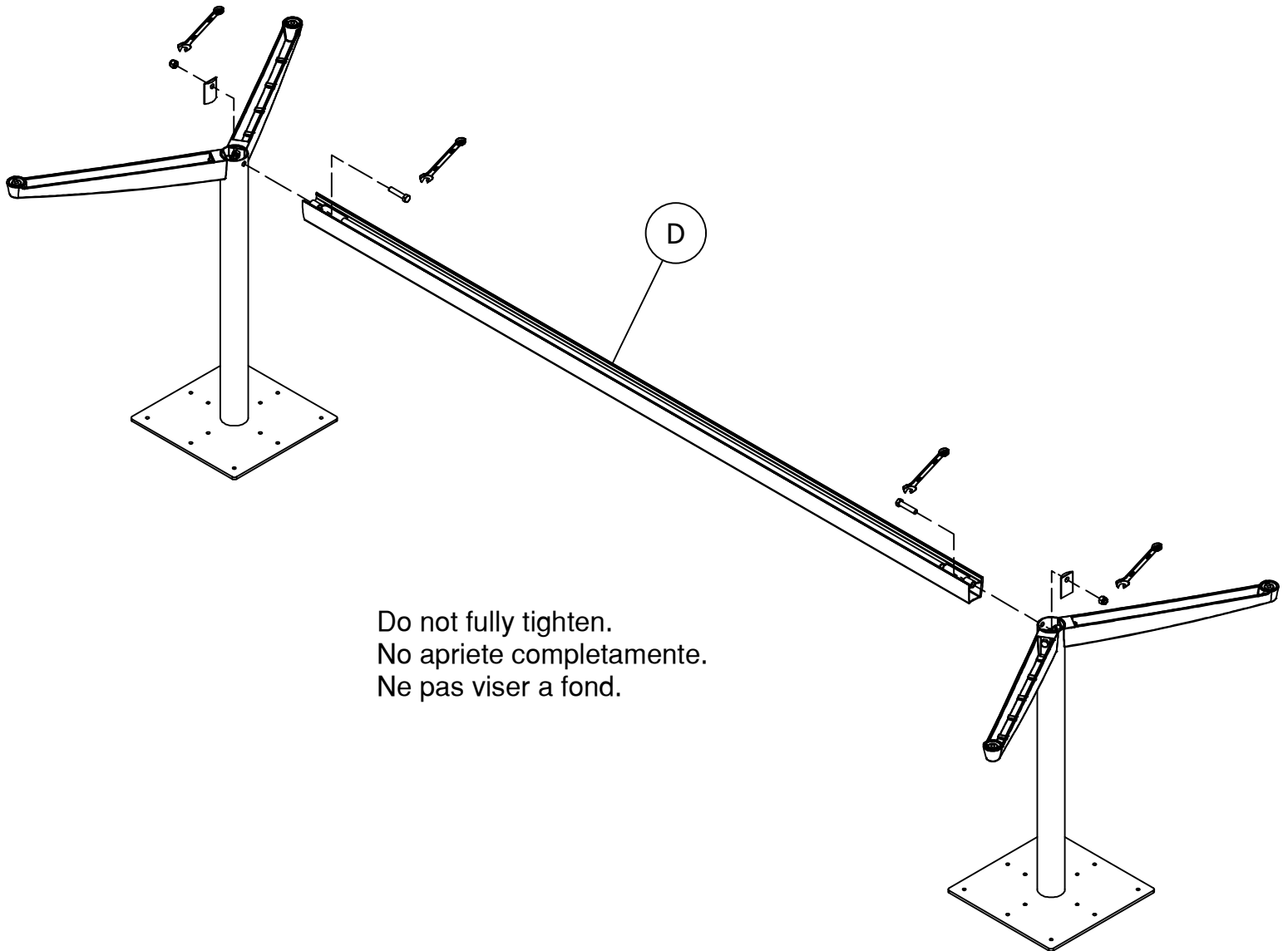
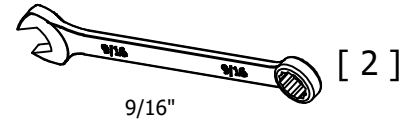
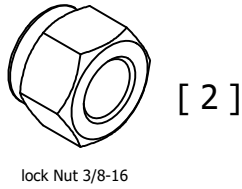
H171295



H175656



H171296

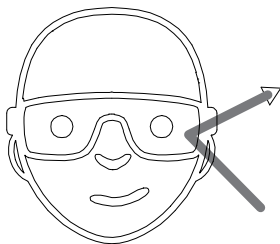
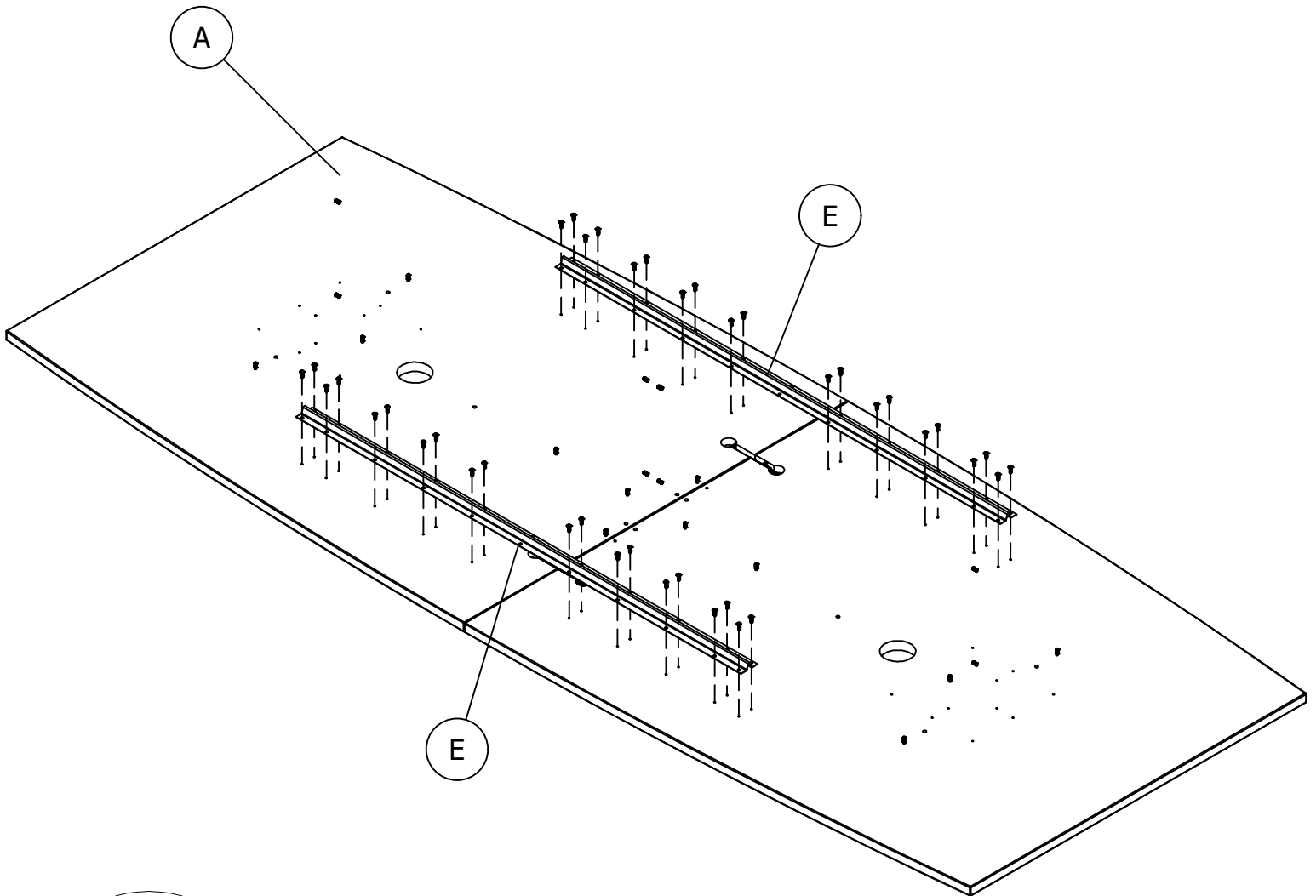
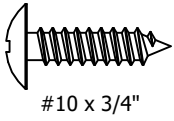


Do not fully tighten.  
No apriete completamente.  
Ne pas viser a fond.

Have an assembly question or need a replacement part? Just call  
**1-800-950-4782**, we are here to help.



H142302 [ 40 ]  
#10 x 3/4"



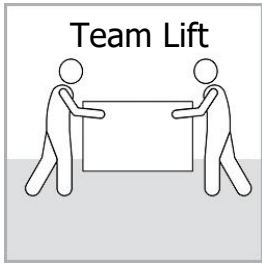
Safety glasses  
Gafas de seguridad  
Lunettes de protection

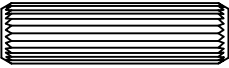
Have an assembly question or need a replacement part? Just call  
**1-800-950-4782**, we are here to help.


# STEP 16

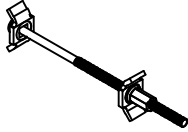
# Assemble Panels

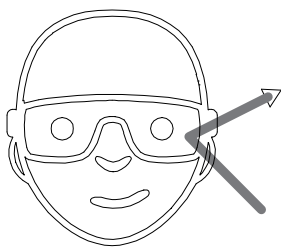
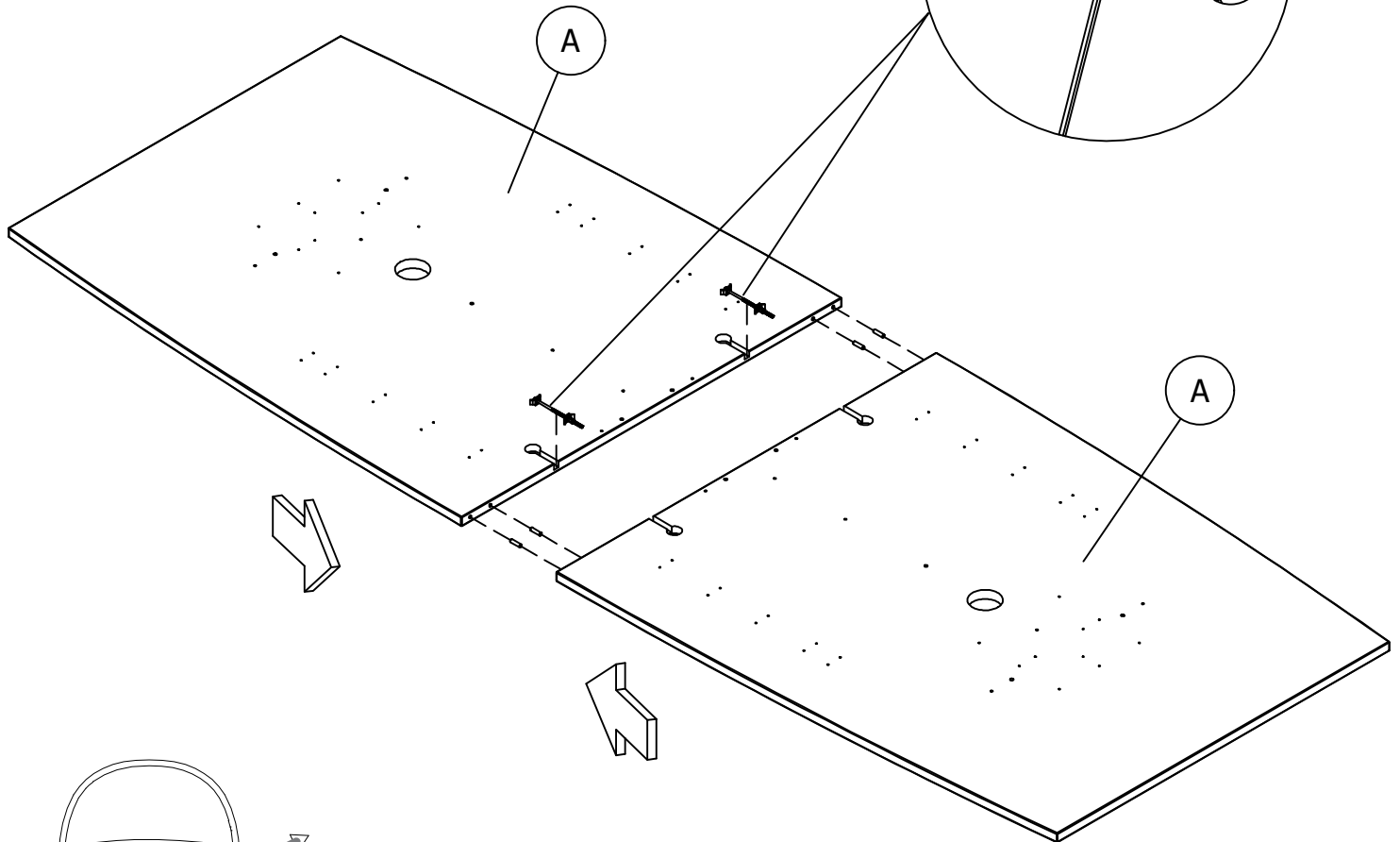
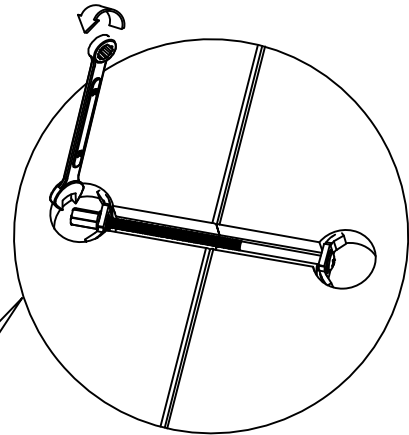
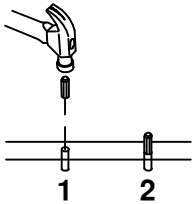
A176673D



H38169  [ 4 ]  
Wood Dowel

 [ 1 ]  
10mm

H120080  [ 2 ]  
Joint Connector



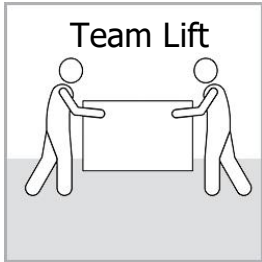
Safety glasses  
Gafas de seguridad  
Lunettes de protection

Have an assembly question or need a replacement part? Just call  
**1-800-950-4782**, we are here to help.

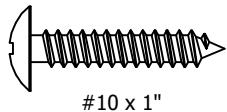
# STEP 18

# Attach Base

A176673D



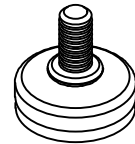
H23682



[ 20 ]

#10 x 1"

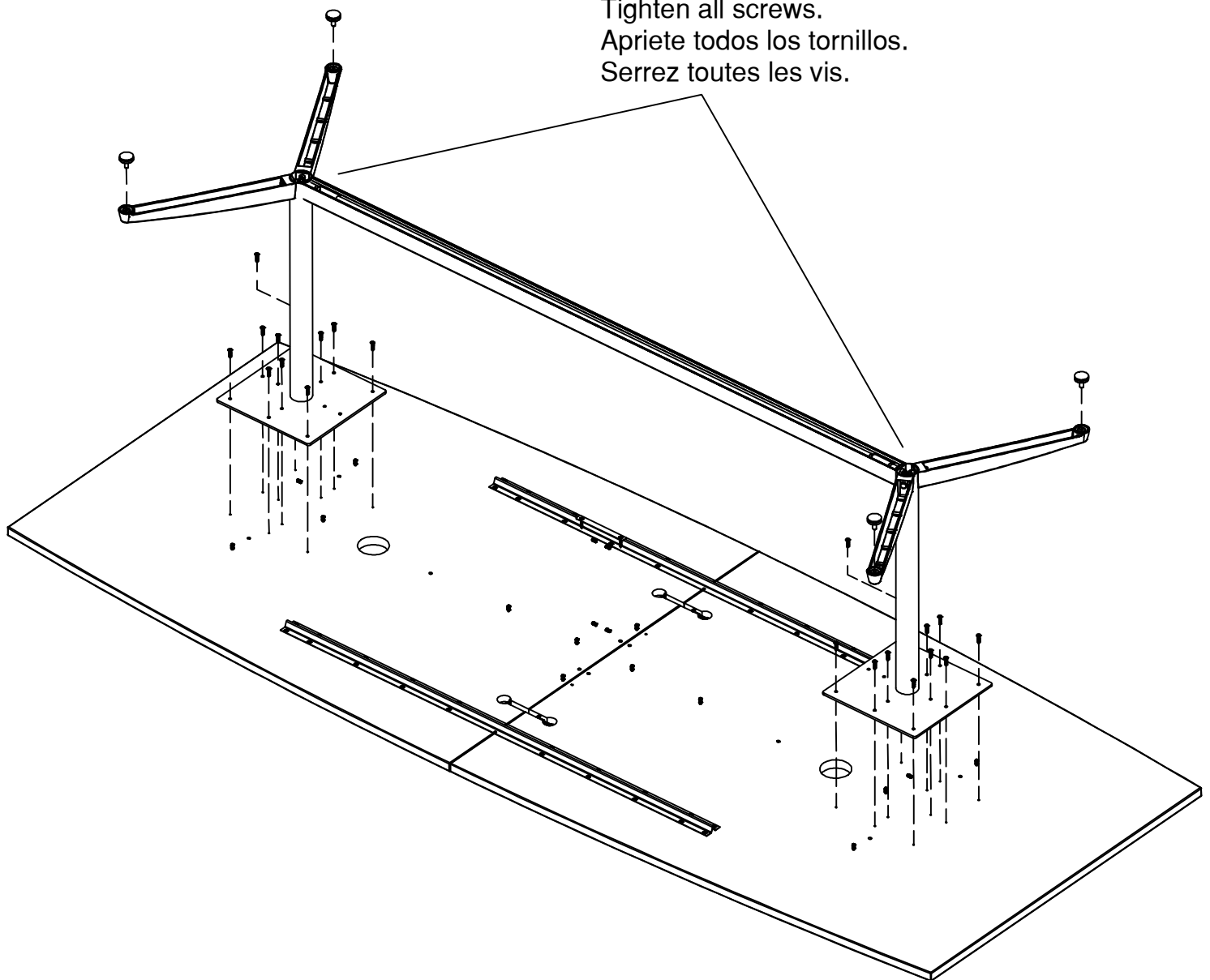
H172201



[ 4 ]

Leveler

Tighten all screws.  
Apriete todos los tornillos.  
Serrez toutes les vis.



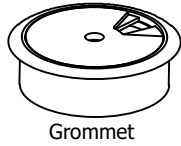
Have an assembly question or need a replacement part? Just call  
**1-800-950-4782**, we are here to help.

Scan QR Code to Watch Video on:



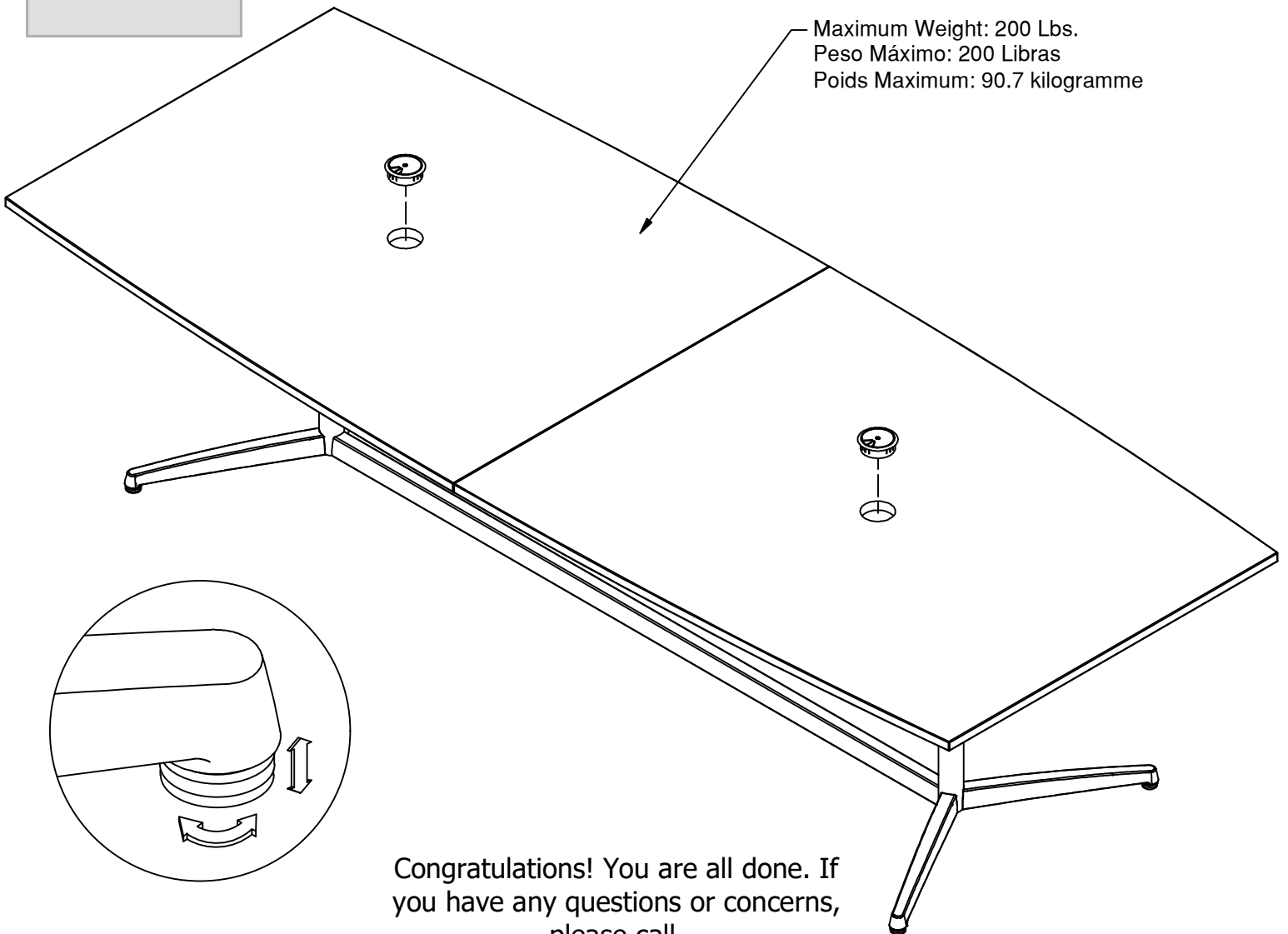
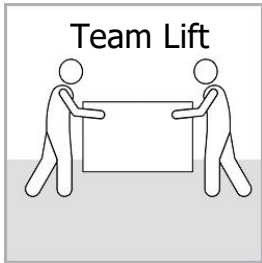
How to Clean the Surface

Gently clean surfaces with a damp sponge eraser.

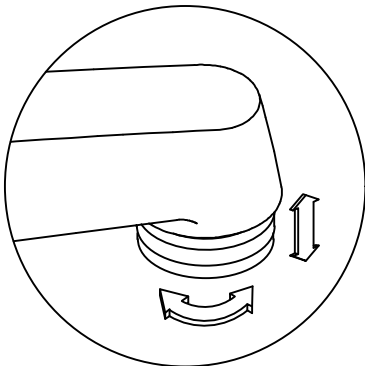


[ 2 ]

Grommet



Maximum Weight: 200 Lbs.  
Peso Máximo: 200 Libras  
Poids Maximum: 90.7 kilogramme



Congratulations! You are all done. If you have any questions or concerns, please call.

Have an assembly question or need a replacement part? Just call **1-800-950-4782**, we are here to help.

# PARTS LIST

A176673D

99BTOP12048ABW A [2] W216201	99BTOP12048SG A [2] W186900
99BTOP12048HC A [2] W186921	99BTOP12048PG A [2] W200318
99BTOP12048AMH A [2] W216213	99BTOP12048WH A [2] W200322
99BTOP12048AMR A [2] W176675	

99CBASE120BW B [2] W216190 C [1] W216192 D [1] W216193 E [1] W216194	99CBASE120MH B [2] W216202 C [1] W216204 D [1] W216205 E [1] W216206	99CBASE120PG B [2] W200309 C [1] W200319 D [1] W200320 E [1] W200321	99CBASE120WH B [2] W200312 C [1] W200323 D [1] W200324 E [1] W200325
99CBASE120HC B [2] W179037 C [1] W186922 D [1] W186923 E [1] W186924	99CBASE120MR B [2] W174229 C [1] W172255 D [1] W172876 E [1] W172877	99CBASE120SG B [2] W186895 C [1] W186901 D [1] W186902 E [1] W186903	

991YLEGSV - QTY 2 B [2] H171568 C [4] H172193
---

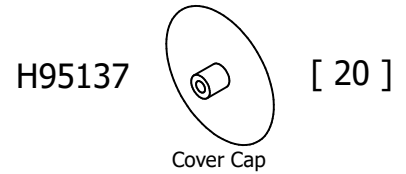
99STCH120ASV-QTY 1 D [1] H172868 E [2] H176662
--

Have an assembly question or need a replacement part? Just call  
**1-800-950-4782**, we are here to help.

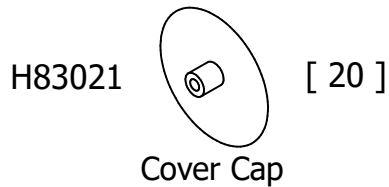
### 99CBASE120BW



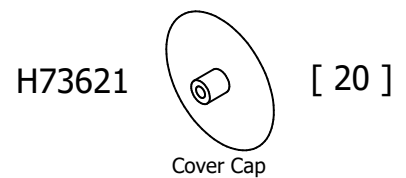
### 99CBASE120HC



### 99CBASE120MH



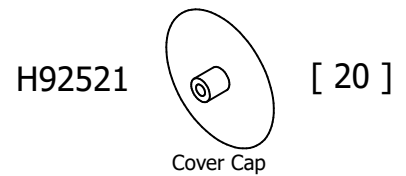
### 99CBASE120MR



### 99CBASE120PG



### 99CBASE120SG



### 99CBASE120WH

