



Patent Rights available at [www.jsproducts.com/patents](http://www.jsproducts.com/patents)

#### 90 DAY LIMITED WARRANTY

This product is backed by a 90 day limited warranty. This warranty covers manufacturer defects and workmanship. The warranty excludes misuse or abuse and normal wear and tear.

# STEELMAN™ PRO

VIDEOSCOPE WITH 3.5" SCREEN

SVS-350



## TABLE OF CONTENTS

Save This Manual	1
Videoscope Safety Instructions	1
Electrical Safety	2
Use and Care	2
Cleaning and Storage	2
Tool Set Up	3
Inspection	3
Operating Instructions	4
Parts List	5
Live Viewing	6
Capturing Images	6
Playback and Delete	6
Specifications	6
Troubleshooting	6

## SAVE THIS MANUAL

- Reference this manual for all safety warnings and precautions, operating and maintenance procedures, parts list and diagrams.
- Keep your invoice with this manual and write your invoice number on the inside of the front cover.
- Keep the manual and invoice in a safe, dry place for future reference.
- Be sure to read and understand all safety instructions in this manual, including all safety alert symbols such as "danger", "warning", and "caution" before using this tool. Failure to follow all instructions may result in serious personal injury.
- Save all warnings and instructions for future reference.

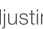




## VIDEOSCOPE SAFETY INSTRUCTIONS

### WARNING:


- Keep work area clean and well lit. Cluttered or dark areas invite accidents.
- Do not operate camera near moving machinery. The cable can be tangled in moving parts, pulling in the power tool and your hands and arms.
- Do not use near any heat sources such as radiators, heat registers, stoves, or other apparatus that produce heat.
- Children should not be allowed to use this device.

## LIVE VIEWING

View on Display Screen or use RCA cable to view on external monitor.



1. Adjusting Light: Press Left  button to dim and turn off light. Press Right  button to turn on light and increase brightness.
2. Zooming: Press Up  button to zoom in, Press Down  button to zoom out.
3. Flip Image: Press the Flip Image/Trash Can  button to flip image horizontally and vertically.

## CAPTURING IMAGES

Press the Camera/Video  button to toggle between camera and video modes.

1. Camera mode: Press OK to capture image.
2. Video mode: Press OK to start video, Press OK again to stop video

## PLAYBACK AND DELETE

1. Display Screen:
  - a. Press the Playback  button to view JPG and AVI files. Use Left/Right and Up/Down buttons to navigate through files.
  - b. Press OK to view image or video, press OK to start and stop.
  - c. To delete file, press Flip Image / Trash Can  button, select File Delete, then press OK.
2. External Monitor:
  - a. Connect Camera to monitor using RCA cable, then follow Display Screen instructions.
3. Another Device:
  - a. Remove SD card to view files on another device

## SPECIFICATIONS

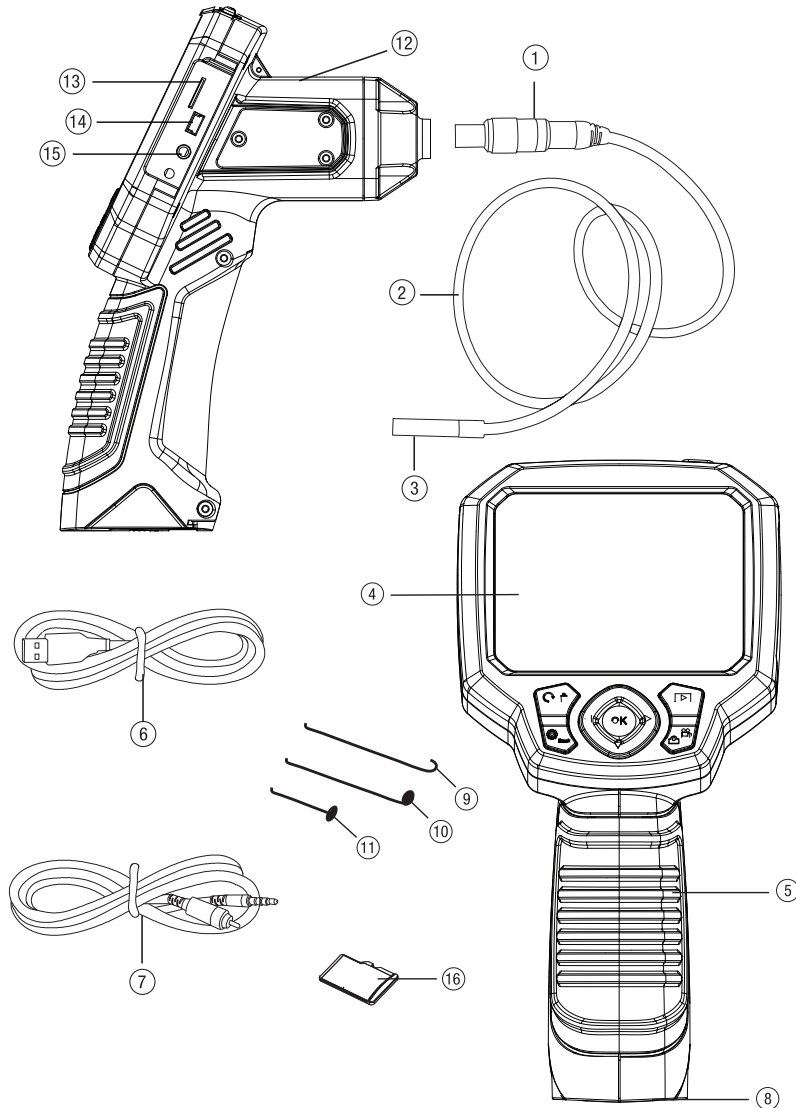
Battery Type	4 x AA 1.5V Alkaline
Display Screen	3.5" TFT LCD (320 x 240)
Handheld Display Unit Operating Temperature	32°F to 113°F (0°C to 45°F)
Imager Head	8.5mm (0.3")
Imager Head Lights	4 x Adjustable LED
Image Sensor	1/9" VGA CMOS
Imager Head Ingress Protection Rating	IP67 - Protected against the effect of immersion between 2in and 3ft (5cm and 1m)
Imager Head and Cable Operating Temperature	14°F to 176°F (-10°C to 80°C)
Video Output	RCA Cable
Memory	4GB Micro SD Card

## TROUBLESHOOTING

PROBLEM	POSSIBLE CAUSES	LIKELY SOLUTIONS
Display is on, but does not show image.	1. Cable connection loose. 2. Imager Head is dirty.	1. Check that cable is connected 2. Clean Imager Head.
1. Light is dim at maximum brightness. 2. Display turns itself off. 3. Camera will not turn on.	Low Batteries	Replace Batteries

## PARTS LIST

PART #	DESCRIPTION	QTY	PART #	DESCRIPTION	QTY
1	CABLE KEY	1 pcs	9	HOOK	1 pcs
2	CABLE	1 pcs	10	MAGNET	1 pcs
3	IMAGER HEAD WITH LIGHT	1 pcs	11	MIRROR	1 pcs
4	DISPLAY SCREEN	1 pcs	12	POWER ON LIGHT	1 pcs
5	HANDHELD DISPLAY UNIT	1 pcs	13	MEMORY CARD SLOT	1 pcs
6	USB TO MINI-B CABLE	1 pcs	14	MINI-B PORT	1 pcs
7	RCA CABLE	1 pcs	15	RCA VIDEO OUT PORT	1 pcs
8	BATTERY COMPARTMENT	1 pcs	16	4GB MICRO SD CARD	1 pcs



## ELECTRICAL SAFETY

### ⚠ CAUTION:

- Do not use camera to inspect spaces or enclosures known or suspected to contain live electrical wiring.
- The camera is not shock resistant, do not immerse the camera handle or display screen in water.

## USE AND CARE

- Use personal eye protection according to the particular investigations. Protective equipment such as dust mask, non-skid safety shoes, hard hat, or hearing protection used for appropriate conditions will reduce personal injuries.
- Switch off the instrument when not in use and store in a dry place
- This camera is not intended for medical use or personal inspection.
- Store the camera out of the reach of children and do not allow persons unfamiliar with the camera or these instructions to operate the item.
- Use the camera and its additional cable in accordance with these instructions, taking into account the working conditions and the work to be performed.
- Use of the camera for operations different from those intended could result in a hazardous situation.
- Only use accessories specifically recommended for this camera, others may be hazardous.
- Clean only with dry cloth or additional soap. Certain cleaning agents and solvents are harmful to plastics and other insulated parts. Some of these include: gasoline, turpentine, lacquer thinner, paint thinner, chlorinated cleaning solvents, ammonia and household detergents containing ammonia.
- Keep the apparatus handle clean, dry and free of oil or grease.
- Do not expose instrument (display) to moisture
- Always remove the batteries before cleaning.
- Replace all batteries at the same time with new ones and use only the size and type of battery specified
- Attention should be given to the environmental aspects of battery disposal
- Permanent damage to the flex tube and loss of operation will occur if the flex tube is subjected to narrow radius or sharp angle bends.

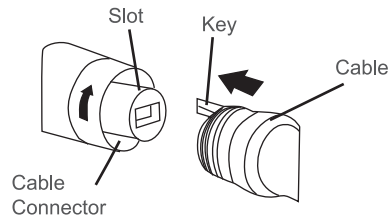
## CLEANING AND STORAGE

1. AFTER USE, use a mild detergent on a clean cloth to remove any oil, grease or dirt from the Camera, especially on the buttons and ports, being careful to not put excessive pressure on the Display Screen.
2. Remove batteries before storage.
3. Store the Camera, cables and accessories in a locked area out of the reach of children.

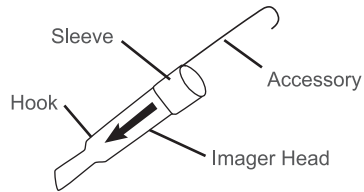
## TOOL SET UP

**⚠ WARNING: TO PREVENT SERIOUS INJURY FROM ELECTRICAL SHOCK:**  
Make sure that the Camera is OFF before performing any procedure in this section.

1. Open battery compartment by sliding battery door down
2. Insert 4 AA alkaline batteries, making sure to insert correctly according to polarity
3. Connecting Cable:
  - a. Carefully push Cable's key into Cable Connector's slot.
  - b. Turn Cable Connector counterclockwise until the Cable and Cable Connector are securely attached.
4. Disconnecting Cable:
  - a. Turn Cable Connector clockwise until the Cable and Cable Connector are disconnected.
  - b. Remove Cable.



5. Attaching Accessories:
  - a. Hold the accessory against the Imager Head, placing the Hook in the hole.
  - b. Match the slot on the Sleeve to the accessory, then slide the Sleeve down the Imager Head until it covers the Hook.

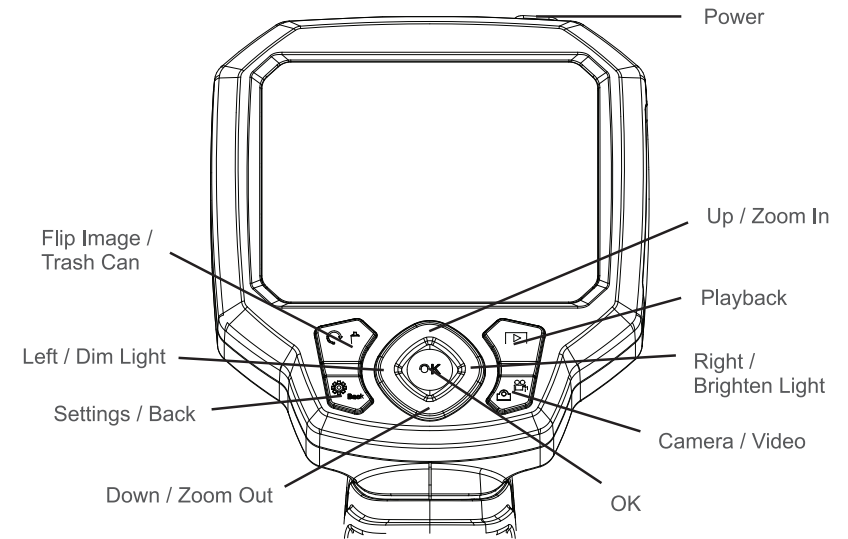



6. Connecting to External Monitor with RCA Cable:
  - a. Plug one end into the RCA Video Out port on Camera, then plug other end into RCA Video In Port on monitor or TV.

## INSPECTION

1. BEFORE EACH USE, inspect the general condition of the tool. Check for:
  - a. condensation in Imager Head.
  - b. cracked or damaged Cable.
  - c. cracked or broken parts.
  - d. any other condition that may affect its safe operation.

## OPERATING INSTRUCTIONS



1. Press and hold Power button to turn Camera on.
2. Press the Settings/Back  button to enter Setup.
3. Select Advanced Settings then press OK
  - a. Select Date and Time, then Press OK. Use Left/Right and Up/Down buttons to set date and time, then Press OK.
  - b. Select Language, then press OK. Use Left/Right buttons to choose language, then press OK.
  - c. Select TV out, then press OK. Choose NTSC, then press OK.
4. Select Color or Black/White, then press OK. Use Left/Right buttons to choose color or black and white, then press OK.
5. Select Format Media, then press OK. Choose No or Yes, then press OK.  
Note: Pressing OK while Yes is selected will erase all files from the Micro SD Card.
6. To view firmware version, select Help, then press OK.