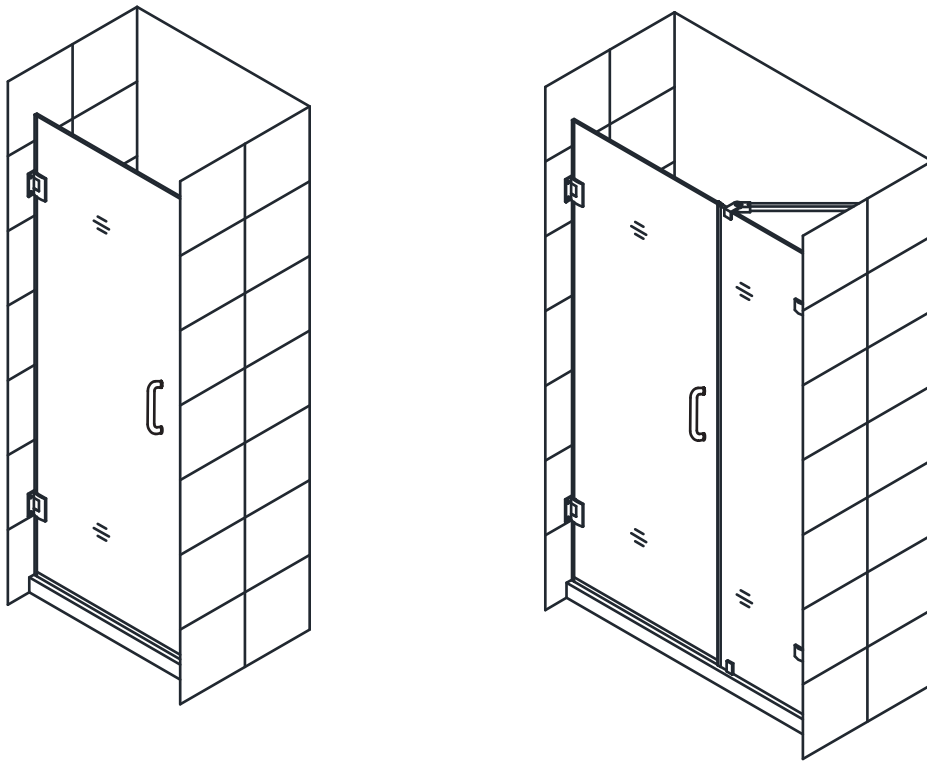


# ANZZI™

## SHOWER DOOR INSTALLATION & CARE GUIDE



For models:  
SD-AZ07-01  
SD-AZ09-01  
SD-AZ09-02



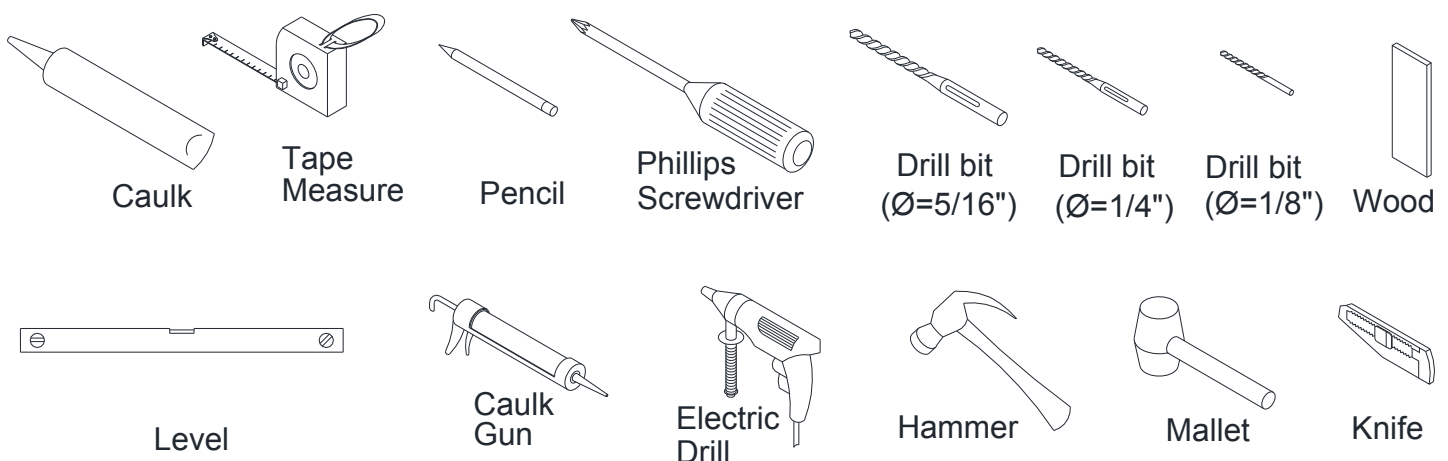
***Please Note: This is a two person job. The glass doors are extremely heavy and it is highly recommended to use professional installers.***

For any questions or assistance simply call 1-844-44-ANZZI or visit us at [www.ANZZI.com](http://www.ANZZI.com)

## Preparation

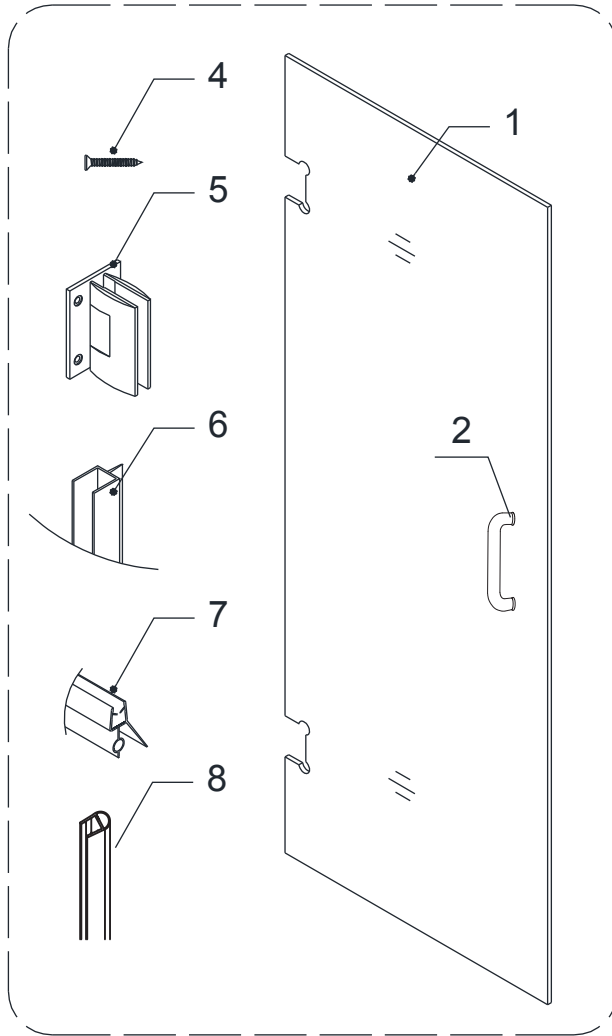
1. After opening all boxes and packages, read this introduction carefully. Check that all of the needed parts are included in the package by marking all the components on the "Detailed Diagram of Shower Door Components". Examine boxes and packages for shipping damage. If the unit has been damaged, has a finishing defect, or has missing parts, do not accept the package and contact customer service immediately.
2. **Please note that you should consult your local building codes with questions on installation compliance standards. Building and plumbing codes may vary by location, and we will not be responsible for code compliance standards for your project and will not accept any returns.**
3. If this unit is going to be installed in a new construction, please, install all of the required plumbing and drainage before installing the shower. **Use a competent and licensed (if required by local code) plumber for all plumbing installation**
4. Prior to the installation, please ensure that the installation surface is level and solid and will be able to support the total weight of the unit. Also make sure that the walls are plumb. Depending on the type of unit you are installing, some adjustments in leveling may be possible. However, irregular installation, surface level or out of square conditions can result in serious problems for your installation. Please note that some adjustments and drilling may be necessary. Please protect all primary surfaces of the product during installation. **Never set your glass down directly onto a tile floor.** Always use a piece of wood or cardboard to protect the bottom edge and corners of the glass.
5. **Please, NOTE! The doors that are under 30" do not have out-of-plumb adjustment. Make sure your walls are at right angles**
6. **Attention: Parts packed inside carton are for common use, so there will be some parts that you will not use or there will be some remaining parts.**
7. **This door is extremely heavy and the hinges on this door must be attached to the studs or to preinstalled 2 × 6 wood reinforcement behind the wall.**

## Tools Required

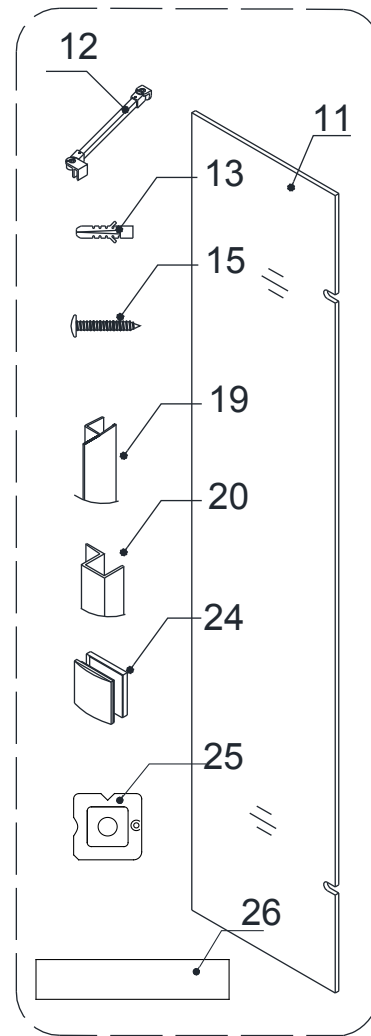


## Detailed Diagrams of Shower Door Components

### Diagram A



### Diagram B



#### Diagram A

01	Glass door	1pc	06	Side strip ( 3 sections to cut)	1pc
02	Handle	1pc	07	Bottom anti-water strip	1pc
04	Countersunk screw ST5×70	8pcs	08	Bumper strip	1pc
05	Hinge	2pcs			

#### Diagram B

11	Stationary glass	1pc	17	Decorative screw cover	1pc
12	Support bar	1pc*	18	Bottom bracket	1pc
13	Wall anchor	2pcs+1pc*	19	Anti-Water strip (Door)	1pc
15	Big flat head screw ST4.2×35	2pcs+1pc*	20	Anti-Water strip (Enclosure)	1pc
25	Silicone cleaner	1pc	24	Wall bracket	2pcs
26	Glass bottom protection seal	2pc			

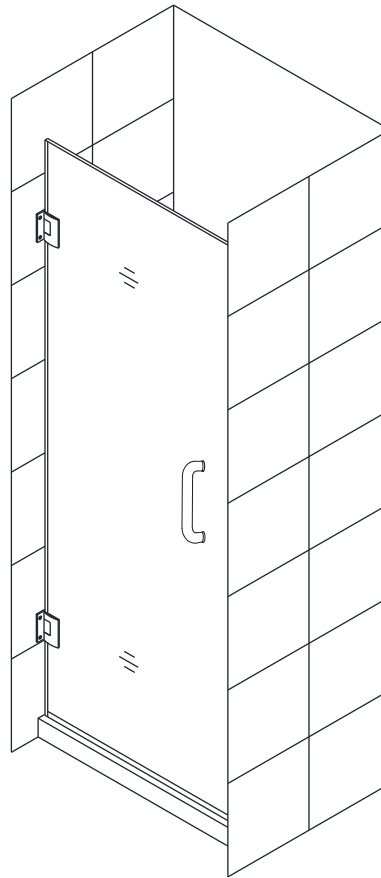
**NOTE:** Unpack your unit carefully and inspect it. Lay it out and identify all parts using detailed diagram in your manual as a reference. Before discarding the carton, check for small hardware bags that tend to fall to the bottom of the box. If any parts are damaged or missing, please contact us for replacement.

**\* ATTENTION:** All parts that marked with the star (\*), not provided with 6" Stationary panel.

## **Style "A":      Single Shower Door Assembly and Installation**

**NOTE: Use parts from Diagram "A" for the Single Shower door assembly and installation.**

Single Shower door 23"-30"  
Diagram A must be used for assembly



1. Attach the **Hinges (05)** to the **Glass door (01)**.

See Fig. 1 for details.

### **ATTENTION:**

**Never set your glass down directly onto a tile or concrete floor.**

Always use a piece of wood or cardboard and leave the corner pads on the glass until it becomes necessary to remove them to protect the bottom edge and the corners of the glass from breakage.

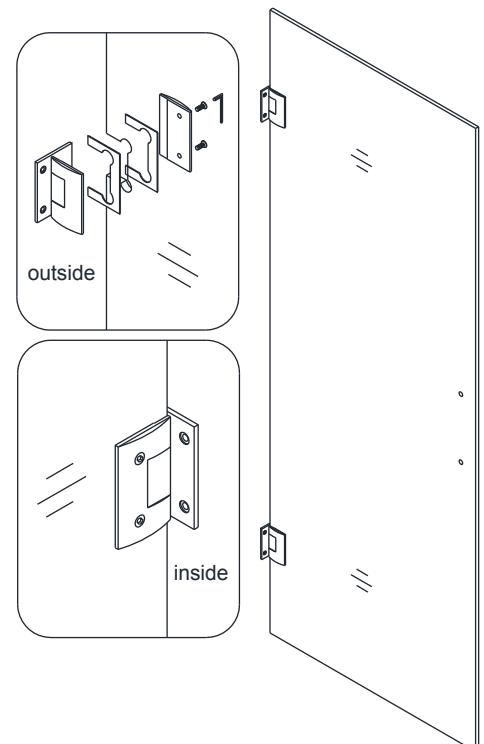


Fig. 1

2. Place a piece of flat timber (5/8" thick) on the threshold or the shower base. Remove the corner pads from the **Glass door (01)**. Place the **Glass door** on the flat timber. Carefully butt up the door with hinged side against the wall, adjust its position and level it vertically.

**ATTENTION:**

**Please check with a level and be sure that the door is absolutely plumb.**

See Fig. 2 for details.

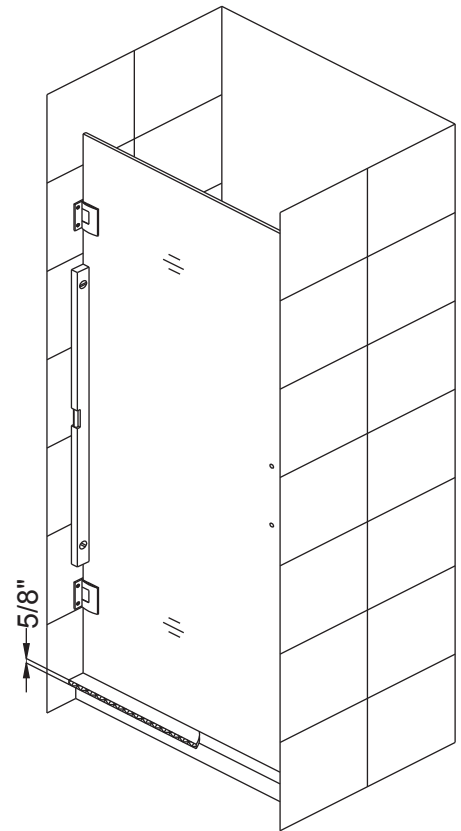


Fig. 2

3. Hold the door in place and mark the drill holes for both **Hinges (05)** on the wall. Set the door aside and drill the holes in the wall using  $\text{Ø } 1/4\text{''}$  drill bit. Place the **Glass door (01)** back on the flat timber and attach both hinges to the wall with only two **Countersunk screws ST5×70 (04)** on the hinge from outside of the shower.

See Fig. 3 for details.

**ATTENTION:**

**This door is extremely heavy and the hinges on this door must be attached to the studs or to preinstalled 2 × 6 wood reinforcement behind the wall.**

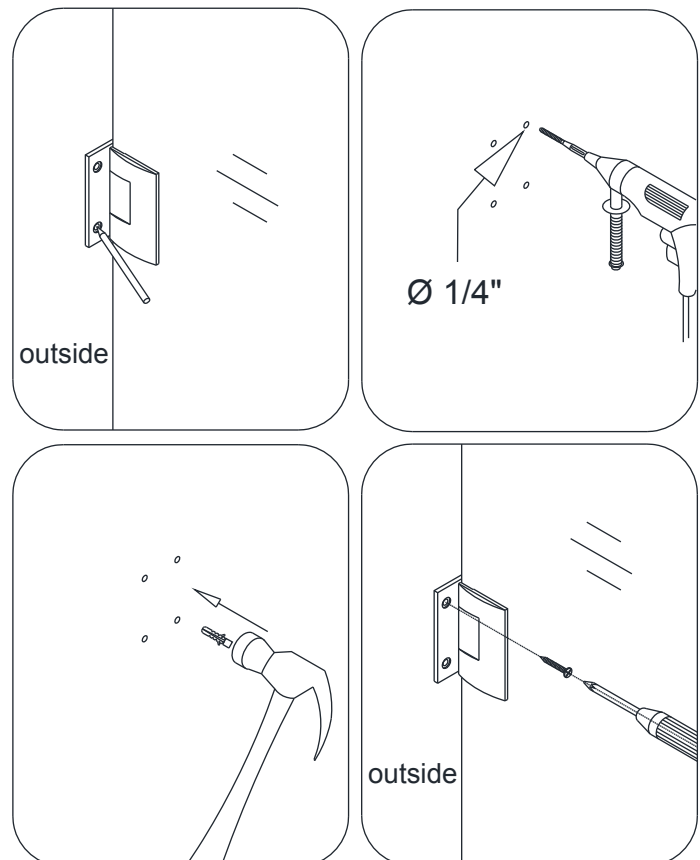


Fig. 3

**ATTENTION:**

Back plate of the hinge from inside the shower locates too close to the drilled holes in the wall and might get scratched with the long screws or screwdriver.

**(OPTIONAL)**

4. Carefully remove back plates from the **Hinges (05)** and set the **Glass door (01)** aside.

Screw in rest of the **Countersunk screws ST5 x 70 (04)** into the wall, place the **Glass door** back to its position and reassemble the **Hinges**.

See Fig. 4 and Fig. 5 for details.

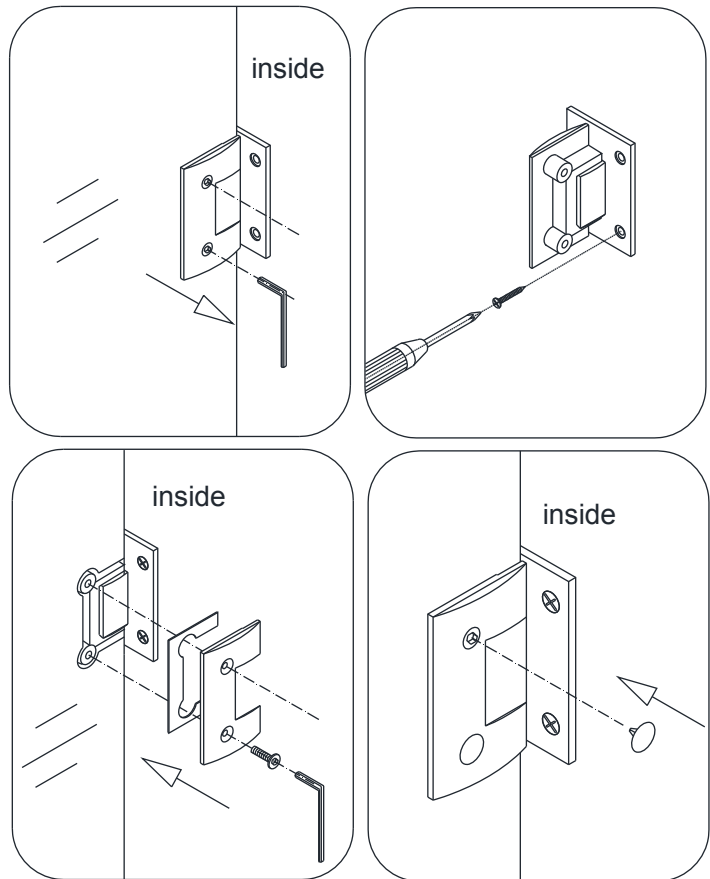


Fig. 4

5. Mount the **Handle (02)** to the **Glass door (01)**.

See Fig. 5 for details.

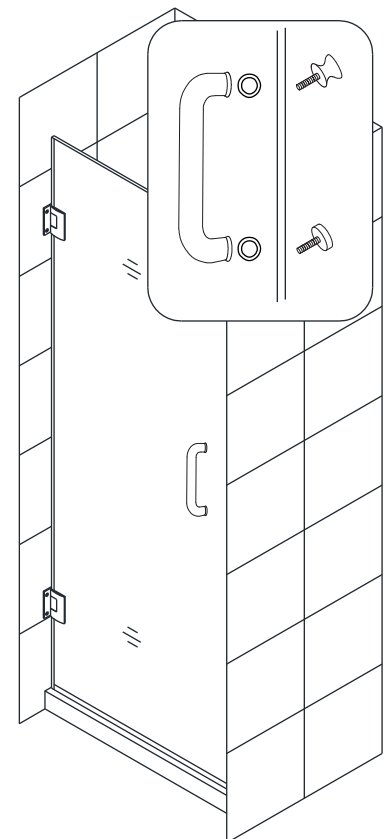


Fig. 5

6. Get three measurements:
- from the top edge of the **Glass door (01)** to the upper body of the top **Hinge (05)**;
  - from the lower body of the upper **Hinge** to the upper body of the bottom **Hinge**;
  - from the lower body of the bottom **Hinge** to 1/16" above the shower base.

Cut the **Side strip (06)** according to the measurements.

Notch the cut strips to be able to slide them into the **Hinge** to cover the space to the wall.

Remove the timber plate, fully open the **Glass door** and press the cut strips on the vertical edge of the **Glass door**.

See Fig. 6 for details.

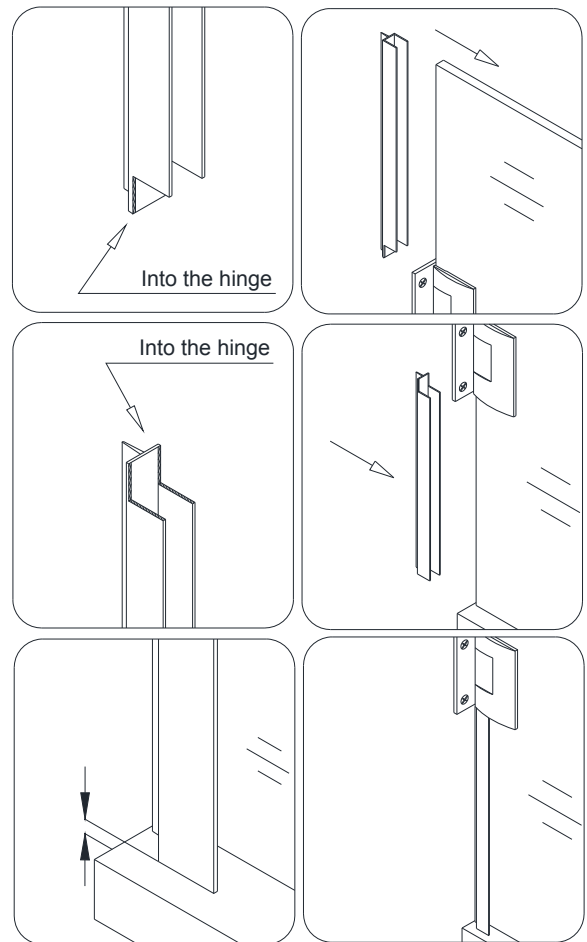


Fig. 6

7. Measure the bottom of the **Glass door (01)** from the **Side strip (06)** to the vertical edge on the **Handle (02)** side. Cut the **Bottom anti-water strip (07)** to the size of your measurement and notch 3/8" of the inner side of the **Bottom anti-water strip**.

**NOTICE:**

Make sure the **Handle** side of the **Glass door** tight to the **Anti-water strip (07)** along the vertical edge when the door is shut.

See Fig. 7 for details.

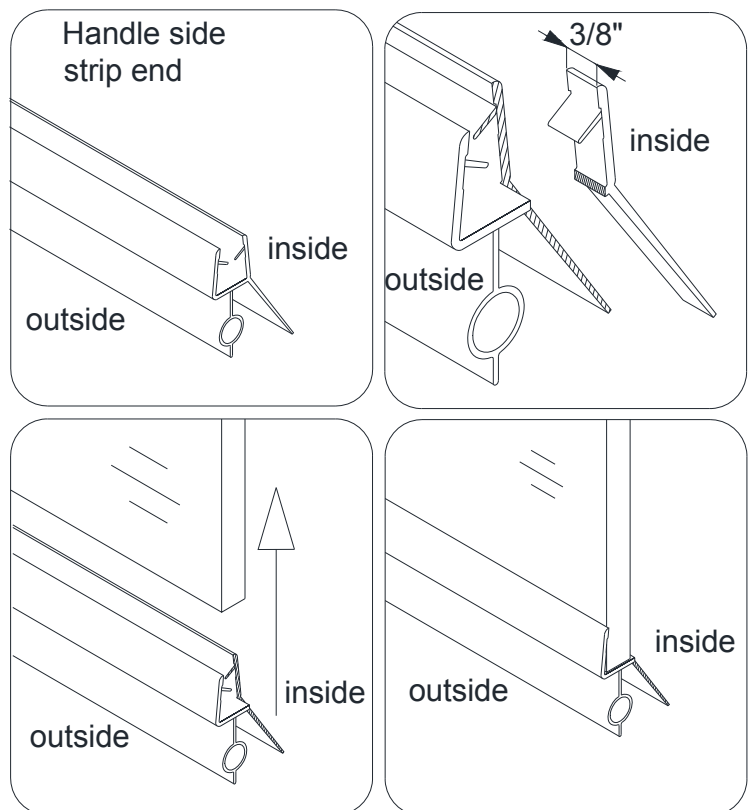


Fig. 7

**ATTENTION:**

**Prior to the next step, please be sure the part of the wall for installation of the L-shaped strip (08) is clean, dry and free from soap, oil and any construction debris.**

- 8. With the door closed press the **Bumper strip (08)** on the door edge.

See Fig. 8 for details.

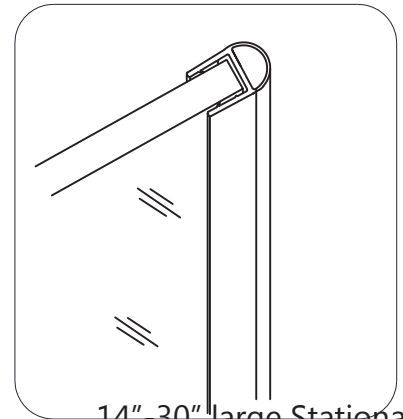


Fig. 8

14"-30" large Stationary glass  
st be used for assembly

- 9. It is the last step for **Style A** products.

See Fig. 9 for details.

**NOTE:**

**If your door is more than 30" in width, you will need to add Stationary glass panel (11):**

For installation of the **Stationary Glass with Support bar**, you will need to refer to **Style B.**

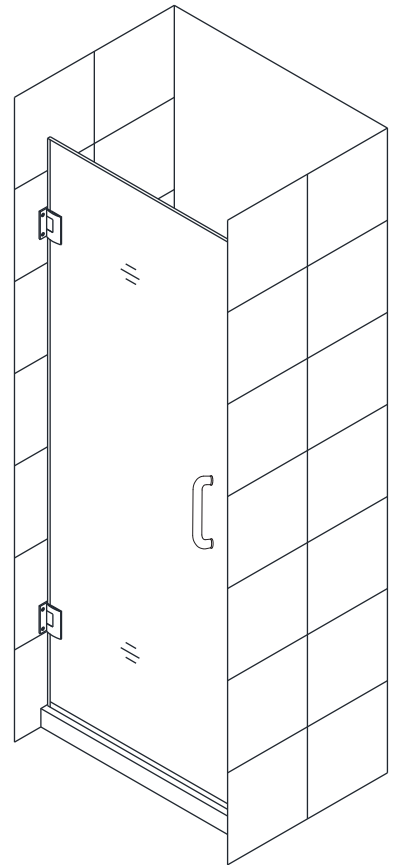


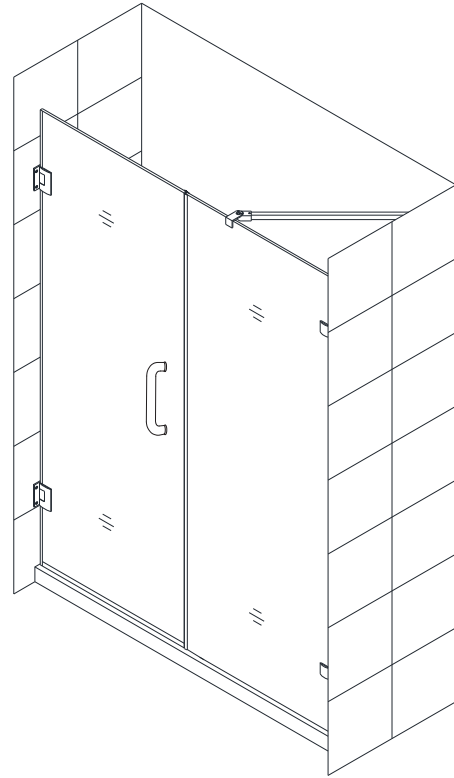
Fig. 9



## **Style "B":      Stationary Glass Assembly and Installation**

**NOTE: Use parts from Diagram "B" for the Stationary Glass assembly and installation.**

Shower door with 6" small or 14"-30" large Stationary glass  
Diagram A and Diagram B must be used for assembly



21. Mount the two **Wall bracket (24)** through the notches on the **Stationary glass (11)**. Press the **Anti-water strip (19)** onto the vertical edge of the **Stationary glass**.

See Fig. 10 for details.

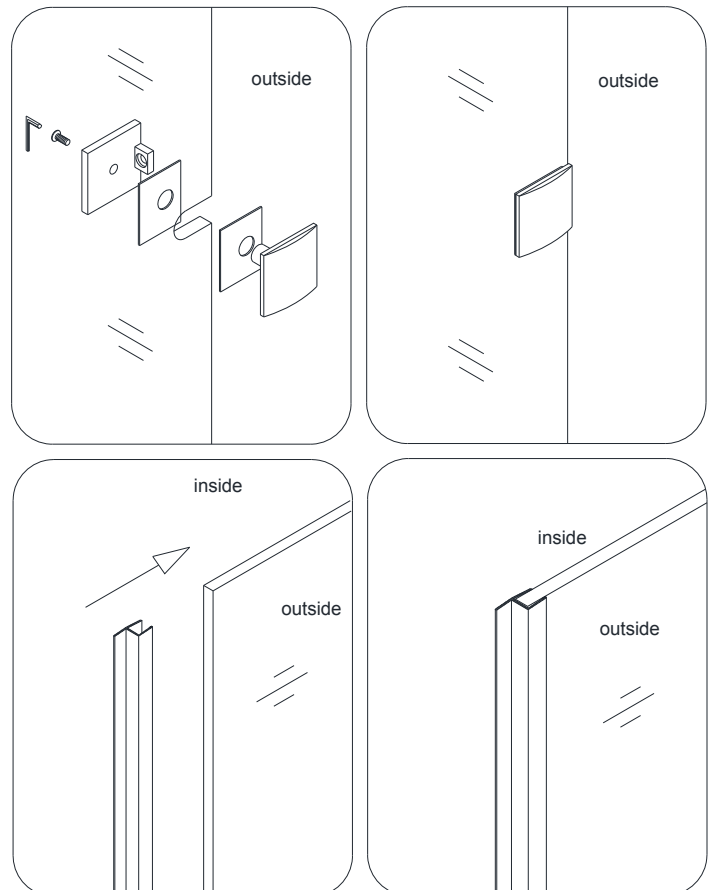


Fig. 10

22. Carefully butt the **Stationary glass (11)** up against the wall vertically.

See Fig. 11 for details.

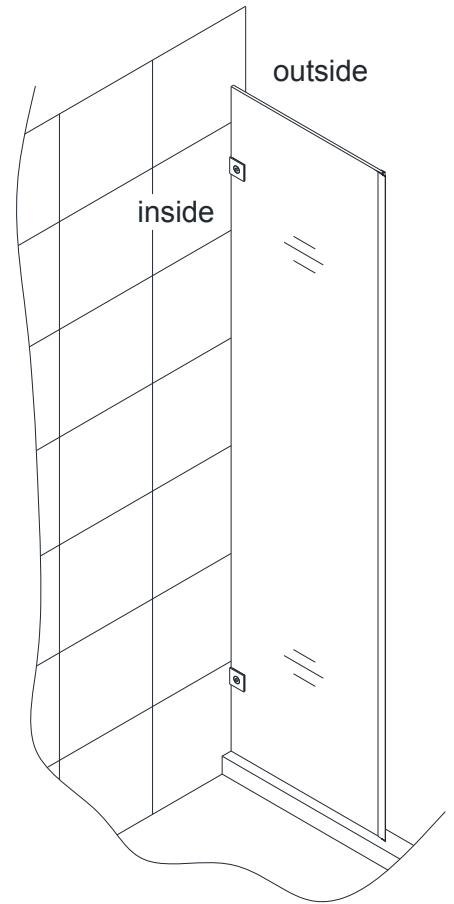


Fig. 11

23. While securely holding the **Stationary glass (11)**, close the **Glass Door (01)** and align the **Stationary glass** to it.

If needed, adjust the position of the **Stationary glass** to make sure the **Anti-Water strip (19)** makes tight contact to the **Glass Door** from top to bottom. Outline the position of the **Wall brackets (24)** on the wall from inside the shower.

See Fig. 12 for details.

**PLEASE NOTE:**

**The top of the Stationary glass must be leveled with the top of the Glass door.**

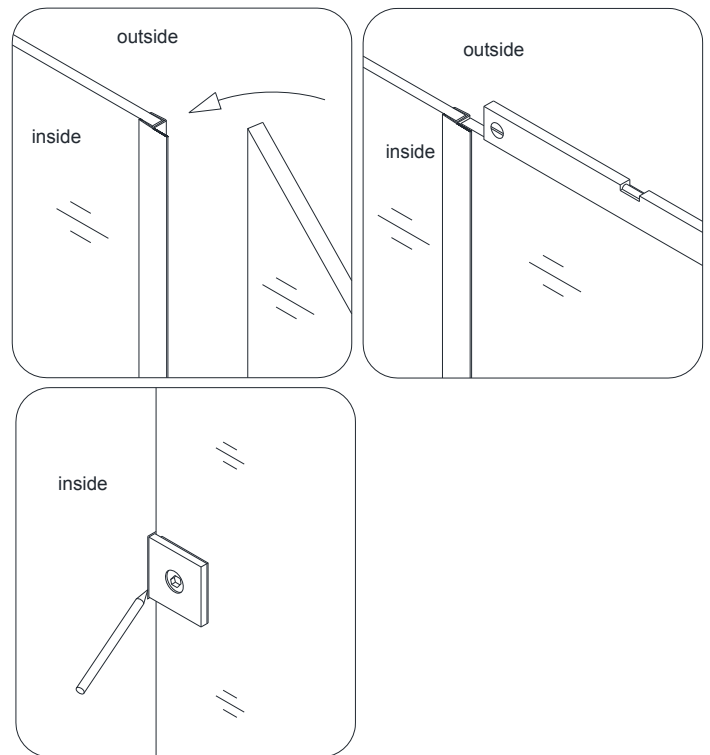


Fig. 12

24. Open the **Glass Door (01)** and carefully set the **Stationary glass (11)** aside. Remove the **Wall brackets (24)** from the **Stationary glass** and replace it to the outlined position to mark the hole on the wall. Drill the hole using a **Ø 5/16"** drill bit, insert the **Wall anchor (13)** and fasten the **Wall brackets** to the wall with the **Big flat head screws ST4.2×35 (15)**.

See Fig. 13 for details.

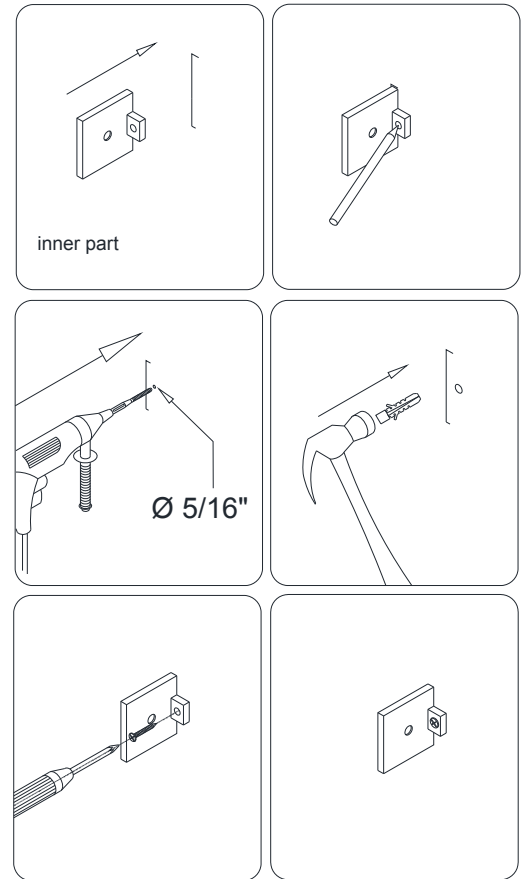


Fig. 13

25. Place **Stationary Glass (11)** back into position and tighten it up to the **Wall Bracket (24)**.

See Fig. 14 for details.

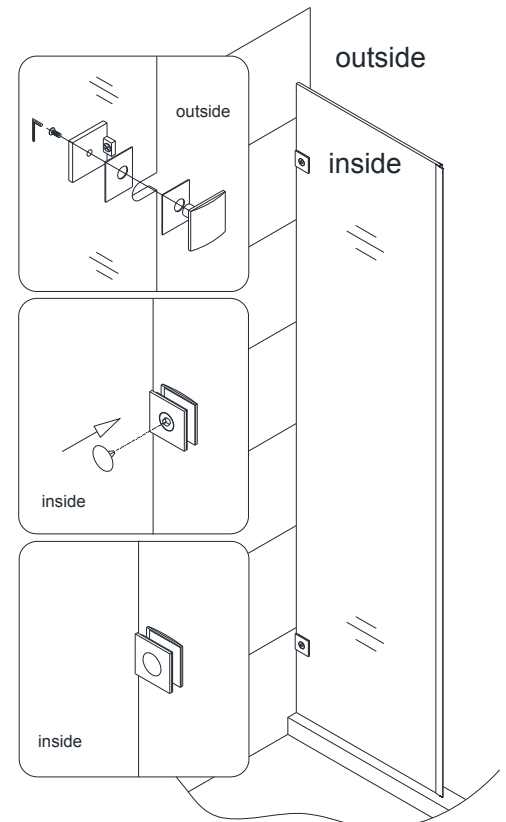


Fig. 14

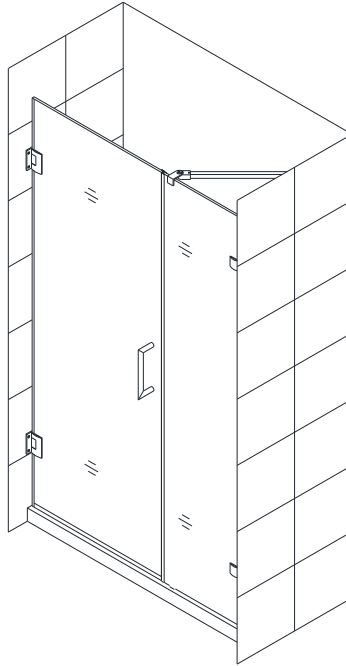
## Style "B":

## Support Bar\* Assembly and Installation

**NOTE:** Use parts from Diagram "B" for the Support Bar\* assembly and installation.

### **ATTENTION:**

**If width of the Stationary Glass is 12" and over you must install Support Bar\* for stability**



### 27. Locate the **Support bar\* (12)**.

Adjust the bar to a proper position on the glass and the wall. Level it horizontally. Hold it firmly and outline the bracket's position on the wall. Remove the **Support bar\*** and detach the wall bracket from it. Place the wall bracket against its outlined position on the wall and mark the drilling hole.

Drill the hole using  $\text{Ø } 5/16''$  drill bit, insert the **Wall anchor (13)** and fasten the wall bracket to the wall with the **Big flat head screws\* ST4.2×55 (15)**. Attach the **Support bar\*** to the wall as shown on Fig 27.6 and tighten the set screws and the glass holding screw to secure the glass.

See Fig. 15 for details.

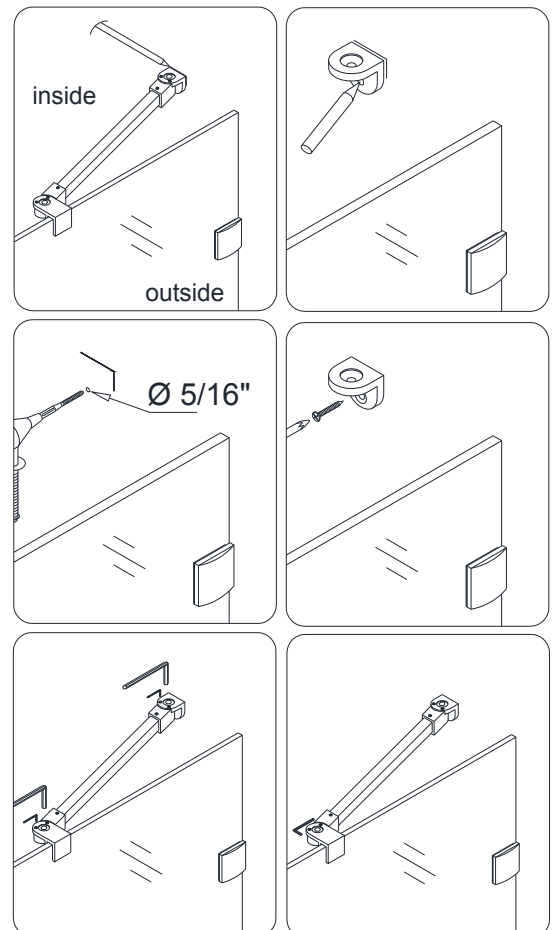


Fig. 15

28. Apply the sealant along the connection of the **Stationary glass** to the wall and the Shower base or threshold.

Use tool **Silicone cleaner (25)** to clean silicone.

See Fig. 16 for details.

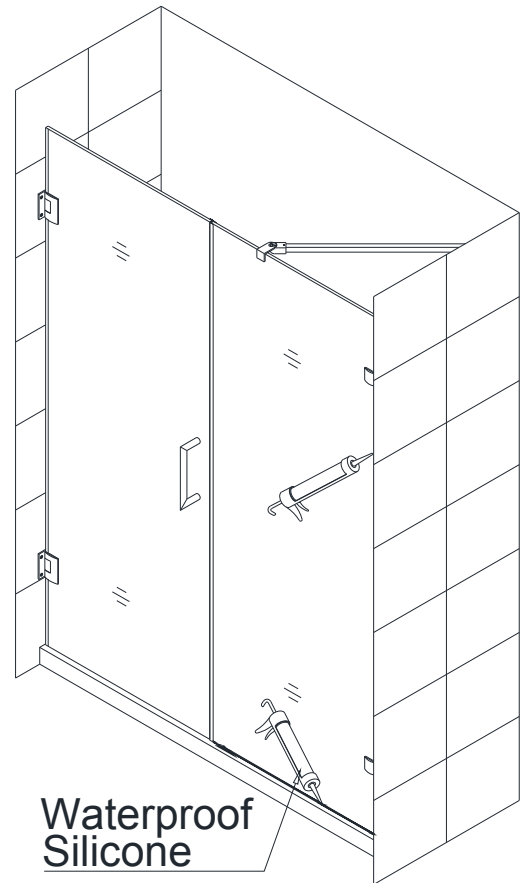


Fig. 16



**24**  $\frac{\text{HOURS}}{\text{HEURES}}$

**IMPORTANT WARNING: DO NOT USE THE SHOWER ENCLOSURE IN 24HOURS, SO THAT SILICONE GEL CAN GET TOTALLY DRY.**

### Maintenance

To insure long lasting life for your acrylic back walls, wipe them off after each use with a soft cloth. To clean the acrylic back walls use non-abrasive sprays or cream based cleaners. Never use abrasive cleansers, metal brushes or scrapers that could scratch or dull the surface.

To insure long lasting life for your glass shower products, wipe them off after each use with a soft cloth. Rinse and wipe of the glass using either soft cloth or squeegee to prevent soap buildup. Never use abrasive cleaners and cleaning products that contain scoring agent because this may scratch the surface. Never use bristle brushes or abrasive sponges.

To assure a long lasting finish wipe off the metal parts after each use with a soft cloth. Do not use abrasive cleaners or cleaning products containing ammonia, bleach or acid. If accidentally used, rinse the surface as soon as possible to prevent finish peeling or corrosion. After cleaning the shiny finishes, rinse thoroughly and wipe dry with soft cloth. Clean stainless steel surfaces at least once a week. When applying stainless steel cleaner or polish, work with (not across) the grain. Never use abrasive sponge or cloth, steel wool or wired brushes.