

# 78201

## INSTALLATION INSTRUCTIONS

Please read carefully and save these instructions as you may need them a later date.

### CAUTION

**WARNING:** Risk of Fire. Consult a qualified electrician to ensure correct branch circuit conductor. Turn off the main power at the circuit breaker before installing the fixture in order to prevent possible shock.

### GENERAL

All electrical connections must be in accordance with local and National Electrical Code (N.E.C.) standards. If you are unfamiliar with proper electrical wiring connections obtain the services of a qualified electrician.

Remove the fixture and the mounting package from the box and make sure that no parts are missing by referencing the illustration.

### ASSEMBLY AND INSTALLATION

1. Remove mounting bracket (5) from the canopy (15) by removing two mounting bracket screws (9). Save mounting bracket screws (9) for later use.

2. Install mounting bracket (5) to the outlet box (1) (not included) by tightening two box screws (6).

3. Pull out the outlet wire and ground wire from the outlet box (1).

Make wire connections with wire nut (8).

--Ribbed wire (w/o marking) or white wire from light to White wire (2) from power source.

--Smooth wire (w marking) or black wire from light to Black wire (3) from power source.

--Attach the ground wire (4) to mounting bracket (5) with a ground screw (7).

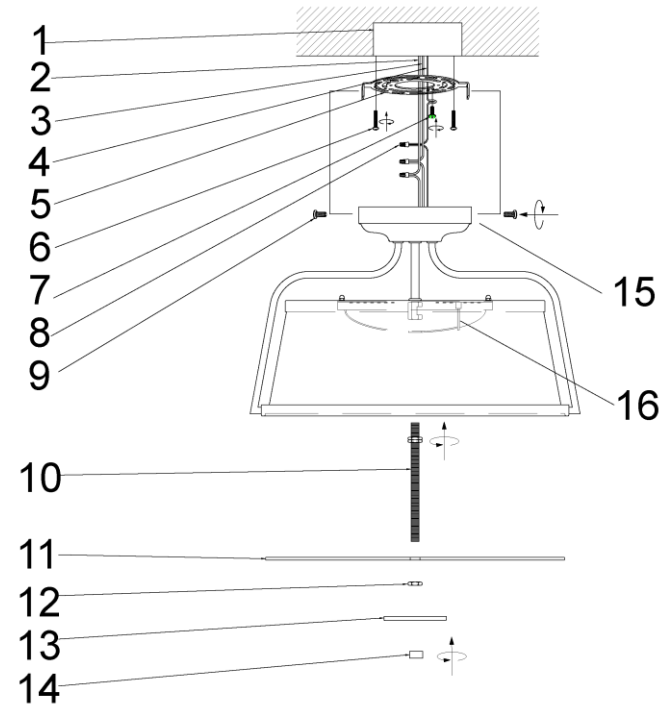
4. Attach the canopy (15) by aligning both side holes over the mounting bracket (5) then using two mounting bracket screws (9) to secure it.

5. Press CCT switch rod (16) to select color temperature. There are three optional color temperatures – 3000K, 4000K and 5000K.

6. Insert the glass diffuser (11) on the suspension rod (10) and secure them into position by tightening the hex nut (12), lower cap (13) and the retaining nut (14) onto the suspension rod.

(Ensure the glass diffuser (11) is screwed on and secured properly. An improperly installed glass diffuser (11) may fall).

INSTALLATION IS NOW COMPLETED



1. OUTLET BOX
2. WHITE WIRE
3. BLACK WIRE
4. GROUND WIRE
5. MOUNTING BRACKET
6. BOX SCREW
7. GROUND SCREW
8. WIRE NUT
9. MOUNTING BRACKET SCREW
10. SUSPENSION ROD
11. GLASS DIFFUSER
12. HEX NUT
13. LOWER CAP
14. RETAINING NUT
15. CANOPY
16. CCT SWITCH ROD