



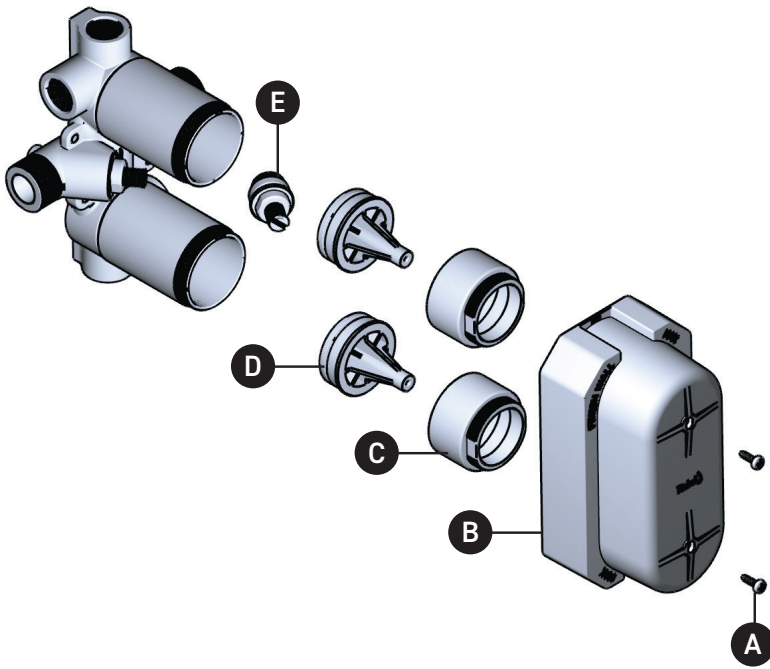
ORDER BY PART NUMBER

ILLUSTRATED PARTS

R46

3/4" Therm & Pressure Balance Rough-
in Valve Multi-Function System

ID	Kit Number	Finish
A	S392-025 (x2)	N/A
B	S430-146	N/A
C	S305-441 (x2)	N/A
D	S7-511 (x2)	N/A
E	S7-683 (x2)	N/A



For warranty or additional information, contact:

U.S.A.
houseofrohl.com/support
 1-800-777-9762

QUEBEC / MARITIMES / WESTERN CANADA
 QUÉBEC / MARITIMES / OUEST CANADIEN
 QUEBEC / MARITIMOS / CANADA OCCIDENTAL
houseofrohl.ca/support
 1-866-473-8442

ONTARIO
houseofrohl.ca/support
 1-800-287-5354

INDUSTRIAL EXPERTISE SINCE 1886

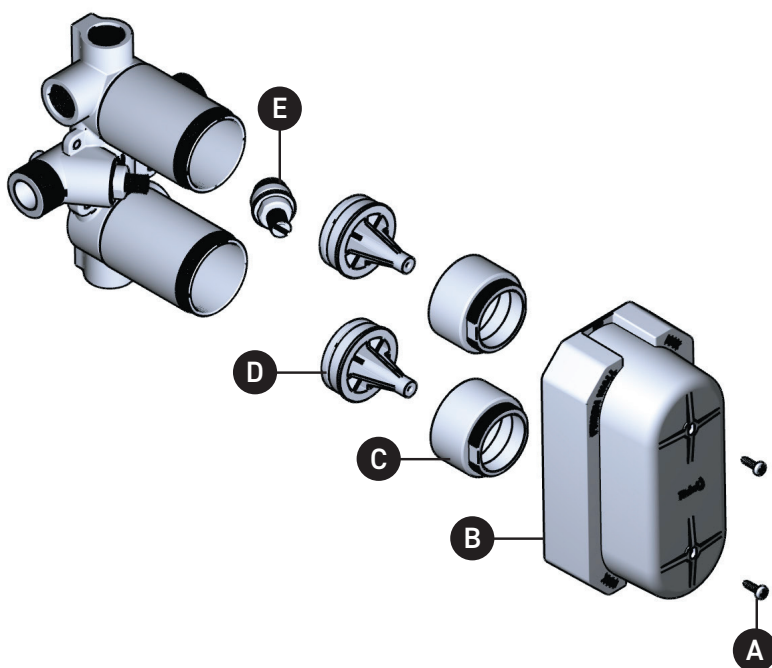
VEUILLEZ EFFECTUER VOTRE COMMANDE
PAR NO DE RÉFÉRENCE

ILLUSTRATIONS DES PIÈCES

R46

Brut de valve double 4 voies coaxiale,
Type T/P (thermo/pression équilibrée)

ID	Référence du kit	Finition
A	S392-025 (x2)	N/A
B	S430-146	N/A
C	S305-441 (x2)	N/A
D	S7-511 (x2)	N/A
E	S7-683 (x2)	N/A



For warranty or additional information, contact:

U.S.A.
houseofrohl.com/support
1-800-777-9762

QUEBEC / MARITIMES / WESTERN CANADA
QUÉBEC / MARITIMES / OUEST CANADIEN
QUEBEC / MARITIMOS / CANADA OCCIDENTAL
houseofrohl.ca/support
1-866-473-8442

ONTARIO
houseofrohl.ca/support
1-800-287-5354

Riobel

PERRIN & ROWE
LONDON



victoria ⊕ albert®

ROHL



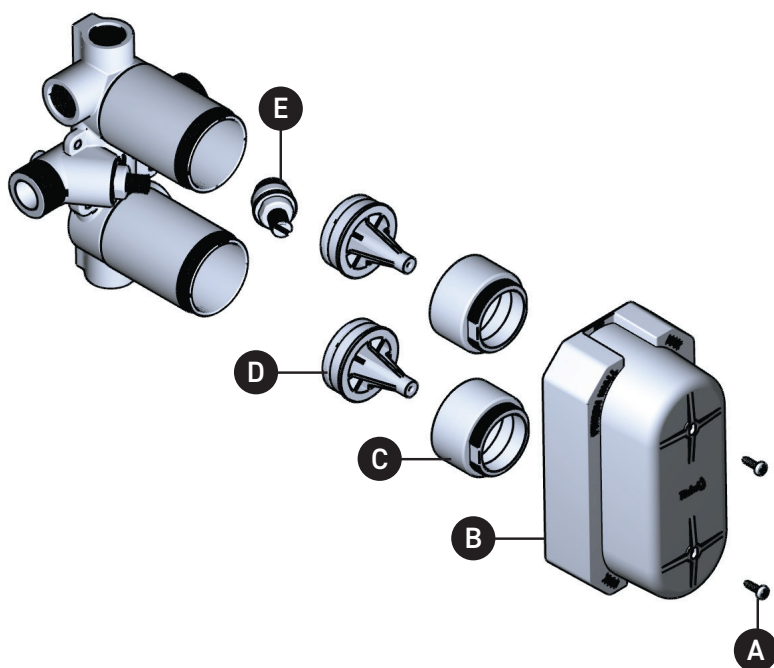
PEDIR POR NÚMERO DE REFERENCIA

PIEZAS ILUSTRADAS

R46

Sistema multifunción de válvula empotrada de equilibrio de presión y temperatura de 3/4"

ID	Referencia del kit	Acabado
A	S392-025 (x2)	N/A
B	S430-146	N/A
C	S305-441 (x2)	N/A
D	S7-511 (x2)	N/A
E	S7-683 (x2)	N/A



For warranty or additional information, contact:

U.S.A.
houseofrohl.com/support
1-800-777-9762

QUEBEC / MARITIMES / WESTERN CANADA
QUÉBEC / MARITIMES / OUEST CANADIEN
QUEBEC / MARITIMOS / CANADA OCCIDENTAL
houseofrohl.ca/support
1-866-473-8442

ONTARIO
houseofrohl.ca/support
1-800-287-5354

