

ACADIA DINING CHAIR ASSEMBLY INSTRUCTIONS

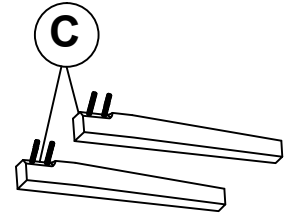
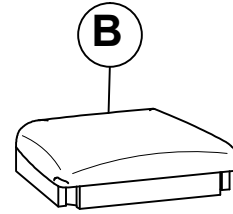
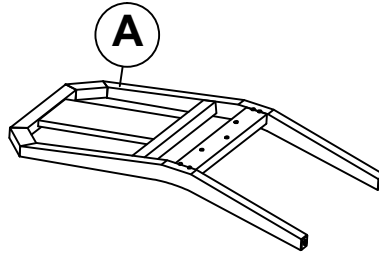


PARTS PACKING CONFIGURATIONS

A. CHAIR BACK 1 PC

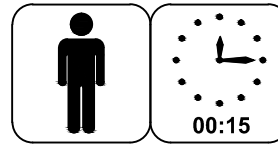
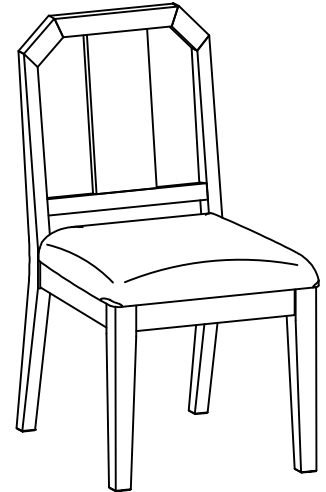
B. CHAIR SEAT 1 PC

C. FRONT LEG 2 PCS

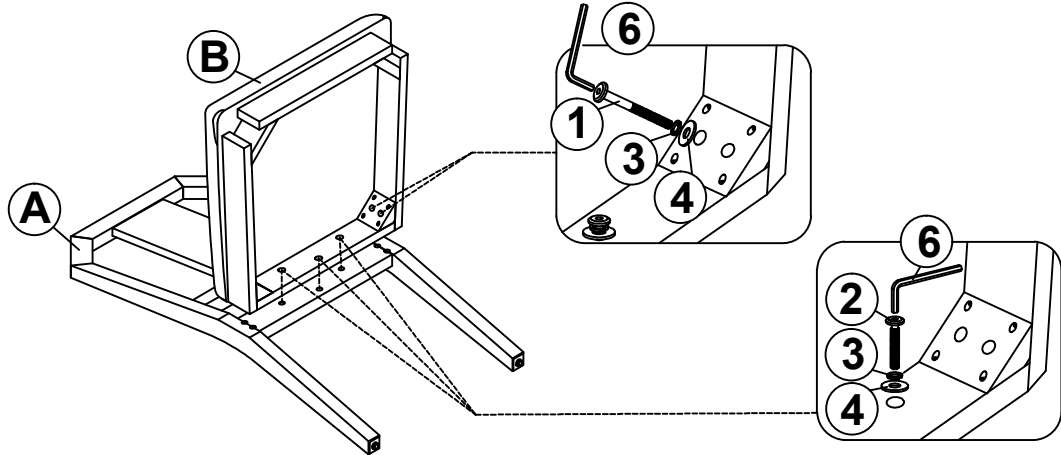


HARDWARE PACKED IN BOX

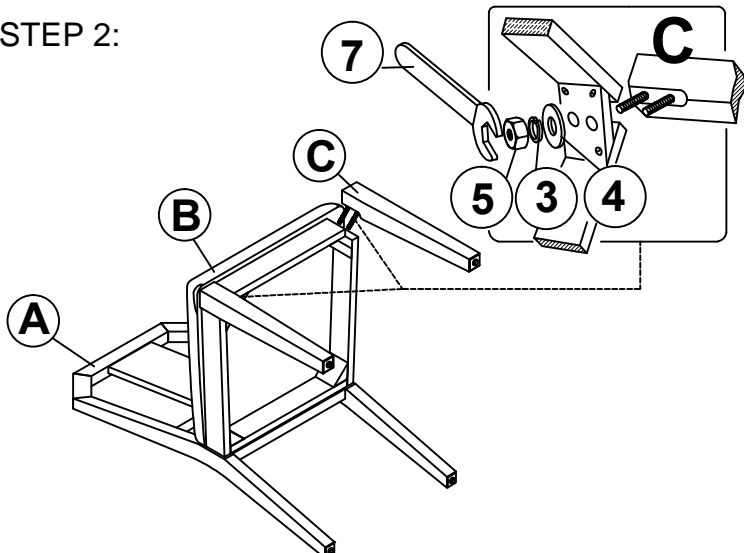
No	Description	Photo	Quantity
1	Allen Bolt ($\frac{1}{4}$ " x 75mm)		4 pcs
2	Allen Bolt ($\frac{1}{4}$ " x 40mm)		3 pcs
3	Lock Washer ($\frac{5}{16}$ ")		11pcs
4	Flat Washer ($\frac{5}{16}$ ")		11pcs
5	Hex Nut ($\frac{5}{16}$ ")		4pcs
6	Allen Key		1pc
7	Spanner		1pc



STEP 1:

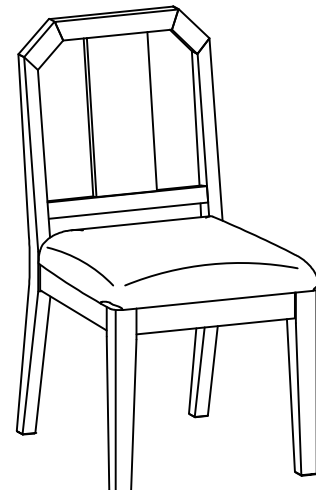


STEP 2:



DO NOT FULLY TIGHTEN BOLTS

STEP 3:



ON A FLAT SURFACE, LEVEL THE CHAIR SO THAT ALL FOUR LEGS ARE TOUCHING THE GROUND. ONCE LEVEL, FULLY TIGHTEN ALL BOLTS FROM STEPS 1 AND 2.