

# ASSEMBLY INSTRUCTIONS

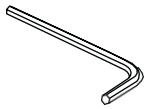
## SOLEYN SIDE TABLE

**9+1 EXTRA**

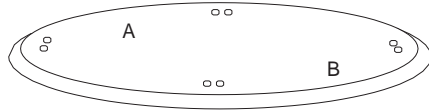


**ALLEN SCREWS**

**x1**

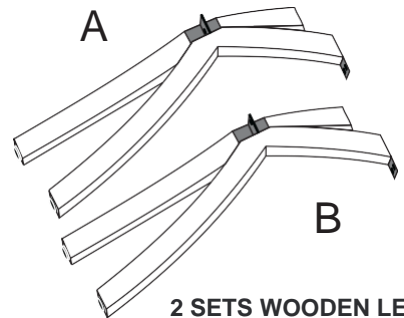


**ALLEN KEY**



**1 PC WOODEN TOP**

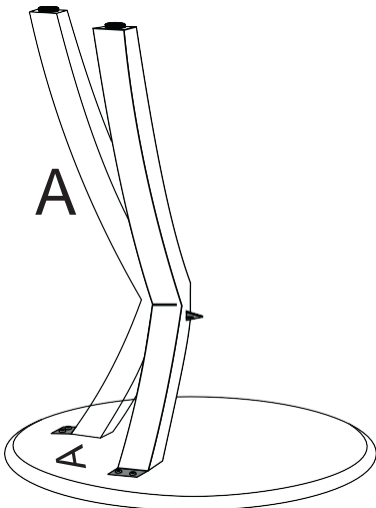
**A**



**B**

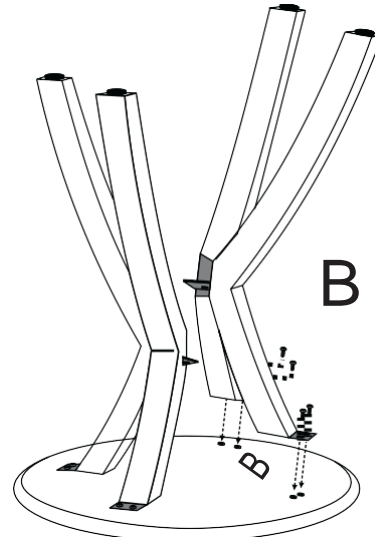
**2 SETS WOODEN LEGS**

**STEP-1**



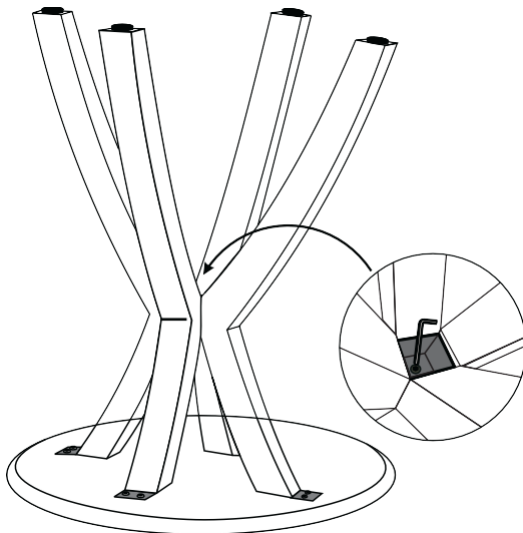
Align leg A as indicated and fix the wooden top with the help of Allen screws. Partially tighten the screws approx. 50%.

**STEP-2**



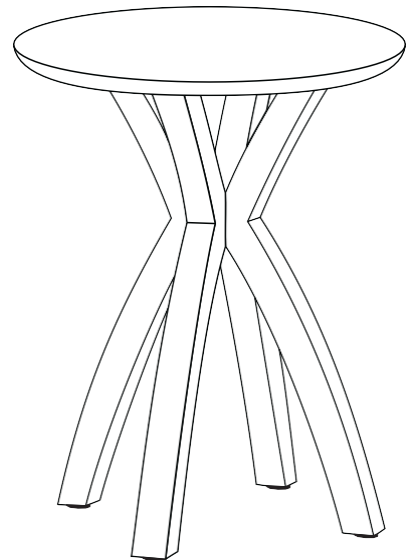
Align leg B as indicated and fix the wooden top with the help of Allen screws. Partially tighten the screws approx. 50%.

**STEP-3**



Secure the leg connection as shown with the help of Allen screw. The metal ledge of leg B should be now over metal ledge of leg A. Ensure all screws are fully tightened.

**ASSEMBLED**



Flip the table and adjust the Levellers If needed to balance on floor.