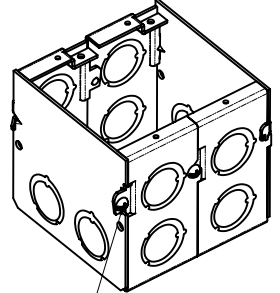
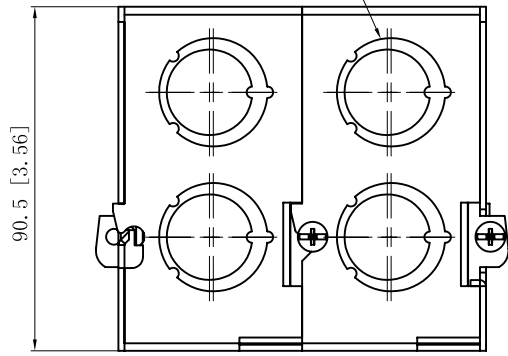
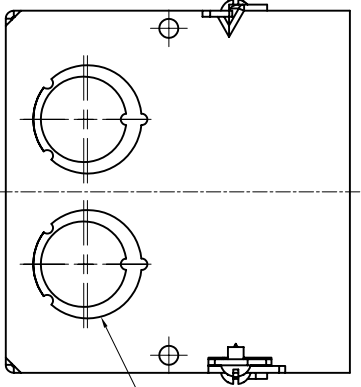
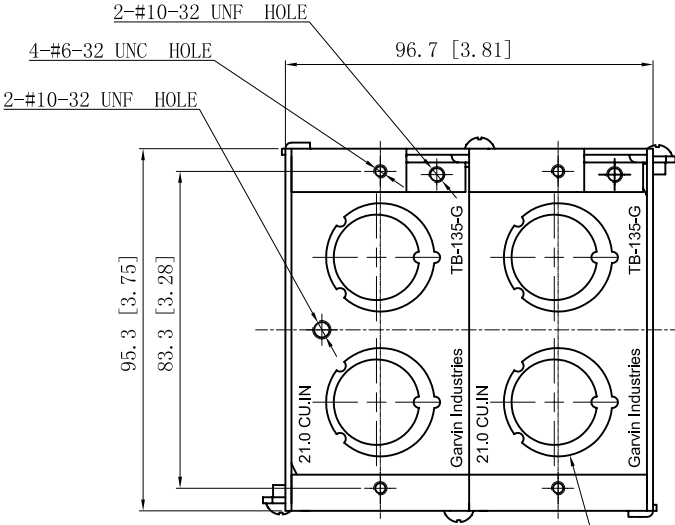


SIDES	BOTTOM
12 1/2"-3/4" MOON KNOCKOUTS	4 1/2"-3/4" MOON KNOCKOUTS
4 PCS 8-32x1/4 Screws Installed	
Material: Steel-0.0625"-G60 Galvanized	

8 1/2-3/4 MOON KNOCKOUTS $\phi=22.5$ [$\phi=0.89$]
 $\phi=28.5$ [$\phi=1.12$] MIRROR



#8-32, x4



4 1/2-3/4 MOON KNOCKOUTS $\phi=22.5$ [$\phi=0.89$]
 $\phi=28.5$ [$\phi=1.12$] MIRROR

4 1/2-3/4 MOON KNOCKOUTS $\phi=22.5$ [$\phi=0.89$]
 $\phi=28.5$ [$\phi=1.12$]

This data sheet is for reference only .GARVIN INDUSTRIES reserves the right to make changes to the design without prior notice.

DESCRIPTION
TRADE REFERENCE TERMS

STANDARD PACKING	GARVIN INDUSTRIES		
	TITLE GANGABLE MASONRY BOX 3-1/2" DEEP		
10 PCS	SIZE	DWG NO.	REV
	A4	TB-235-G	B
DATA SHEET			