

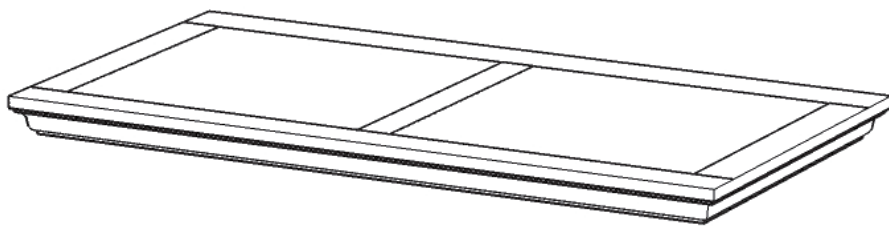
**IMPORTANT**

Carefully remove all the parts from the carton and place them individually on a soft cloth to prevent scratches or other damage.

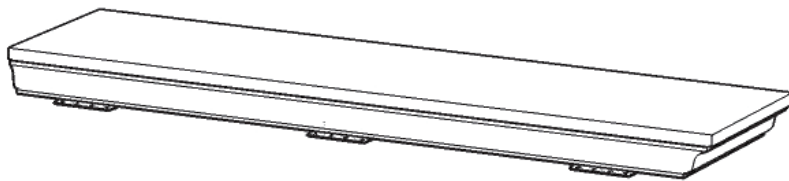
Carefully and strictly follow these assembly instructions to ensure a completed product as designed.

Do not use power tools above 8 volts to assemble.

**Part List**



A.  
Top  
1 pc.

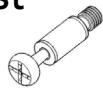


B.  
Leaf Top  
1 pc.

**Hardware List**



Hex Wrench  
1 pc.



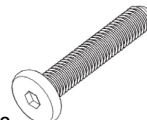
Cam Lock Screw  
18 pcs. (+1 extra)



Flat Washer  
10 pcs. (+1 extra)



Spring Washer  
10 pcs. (+1 extra)



M6x38  
Head Cap Bolt  
10 pcs. (+1 extra)



Adjustable Pin  
16 pcs. (+1 extra)



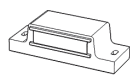
Knob  
4 pcs.



Small Hex Wrench  
1 pc.



Cam Lock  
18 pcs. (+2 extra)



Magnet  
2 pcs.



M3.5x19  
Wood Screw  
for Hinge  
20 pcs. (+1 extra)



M3x16  
Wood Screw (short)  
24 pcs. (+1 extra)



M3x25  
Wood Screw (long)  
16 pcs. (+1 extra)



M4x32  
Machine Screw  
4 pcs.

**Cartons 20 05427 0942 and 0943 are also needed for assembly.**

Tool(s) required for assembly: Phillips screwdriver, Level

Home Styles Customer Service: [www.homestyles-furniture.com](http://www.homestyles-furniture.com),  
 servicedesk@homestyles-furniture.com, 888-680-7460, 877-831-0319

# Assembly Instructions 2/7

## IMPORTANT

- Use a soft cloth between these parts and the floor.
- Do not use power tools above 8 volts to assemble.
- Do not tighten all the bolts until each part is properly assembled.
- The unit must be level to work properly. Use the included adjustable levelers to level.
- Keep Hex Wrench as the bolts may need to be tightened in the future.

## STEP 1

Place Top (A), Base (C) and Side Panels (E), (F) on a soft cloth.

Insert Cam Lock Screws into pre-drilled holes in Top (A), Base (C) and Side Panels (E), (F), then tighten. (See Figure 1)

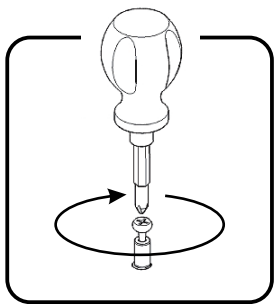
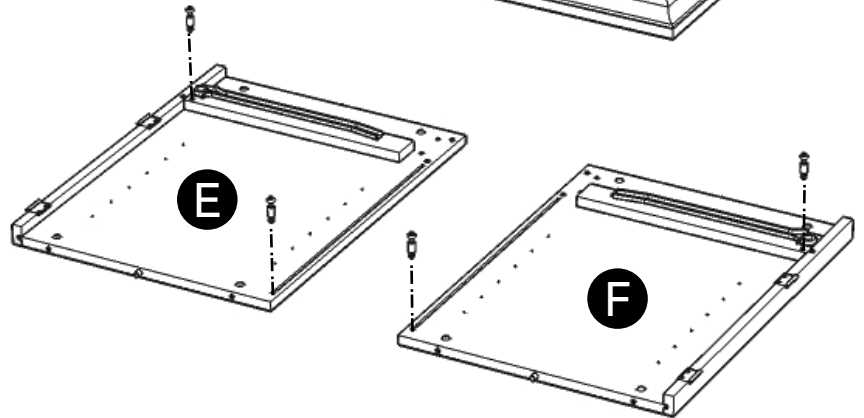
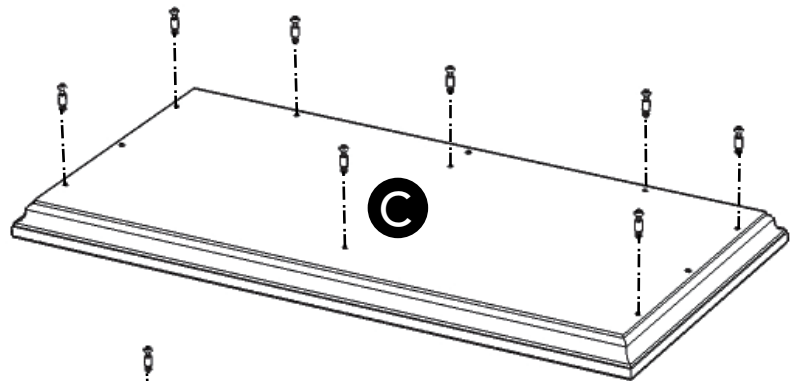
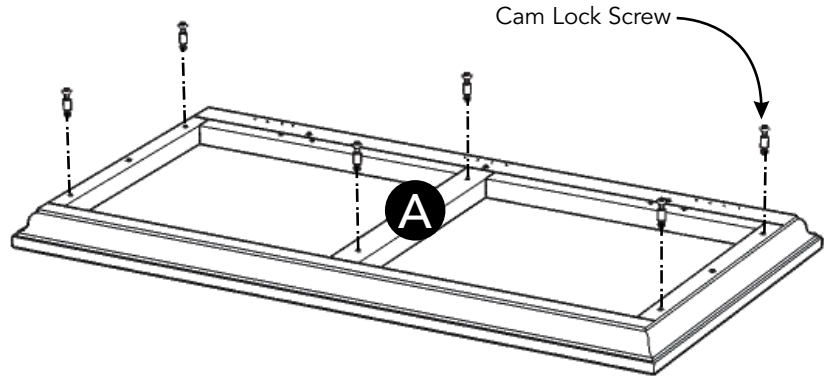


Figure 1

## STEP 2

Attach Magnets to Front Rail (H) by inserting Wood Screws (short) into pre-drilled holes, then tighten. (See Figure 2)

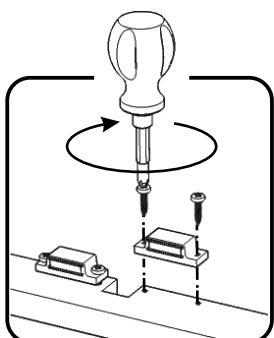
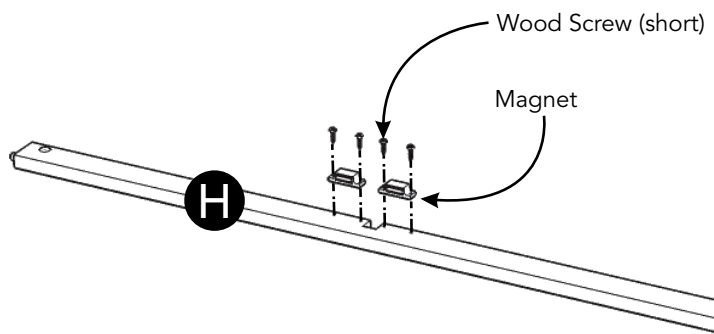


Figure 2

## Assembly Instructions 3/7

### STEP 3

Attach Back Rail (I) to Side Panel (E) with Flat Washers, Spring Washers and Head Cap Bolts.  
(See Figure 3)

Slide Back Panel (P) into position.

Slide Upright (O) into position.

Slide Back Panel (P) into position.

Attach Back Rail (J) to unit with Cam Lock.  
(See Figure 4)

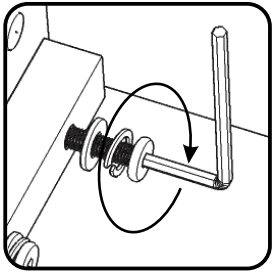
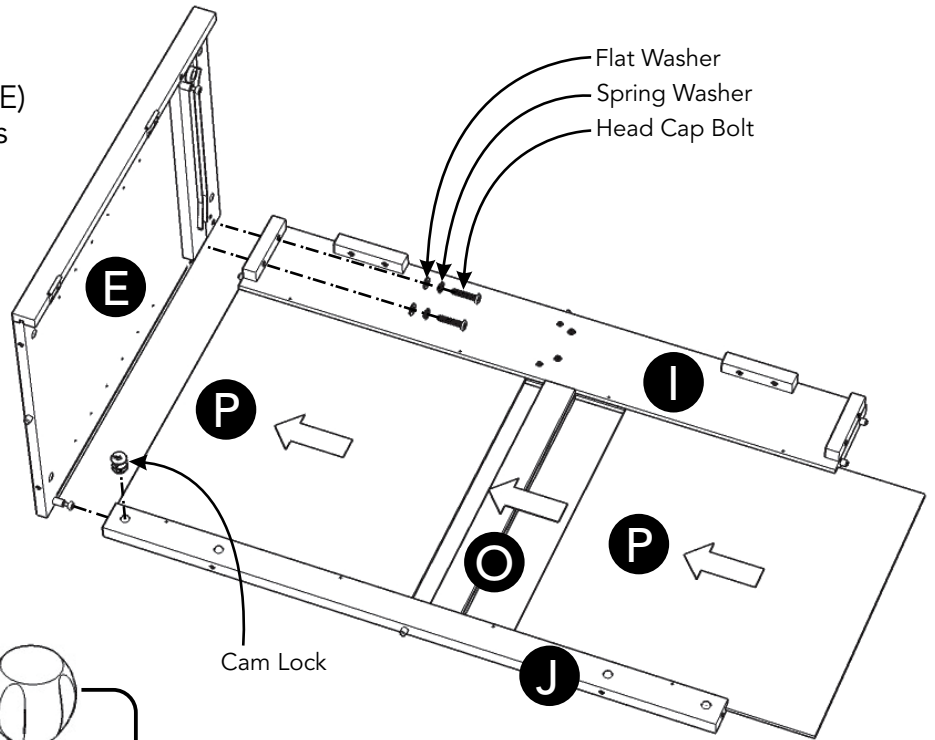


Figure 3

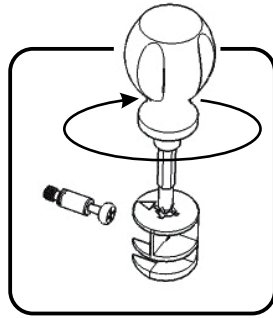


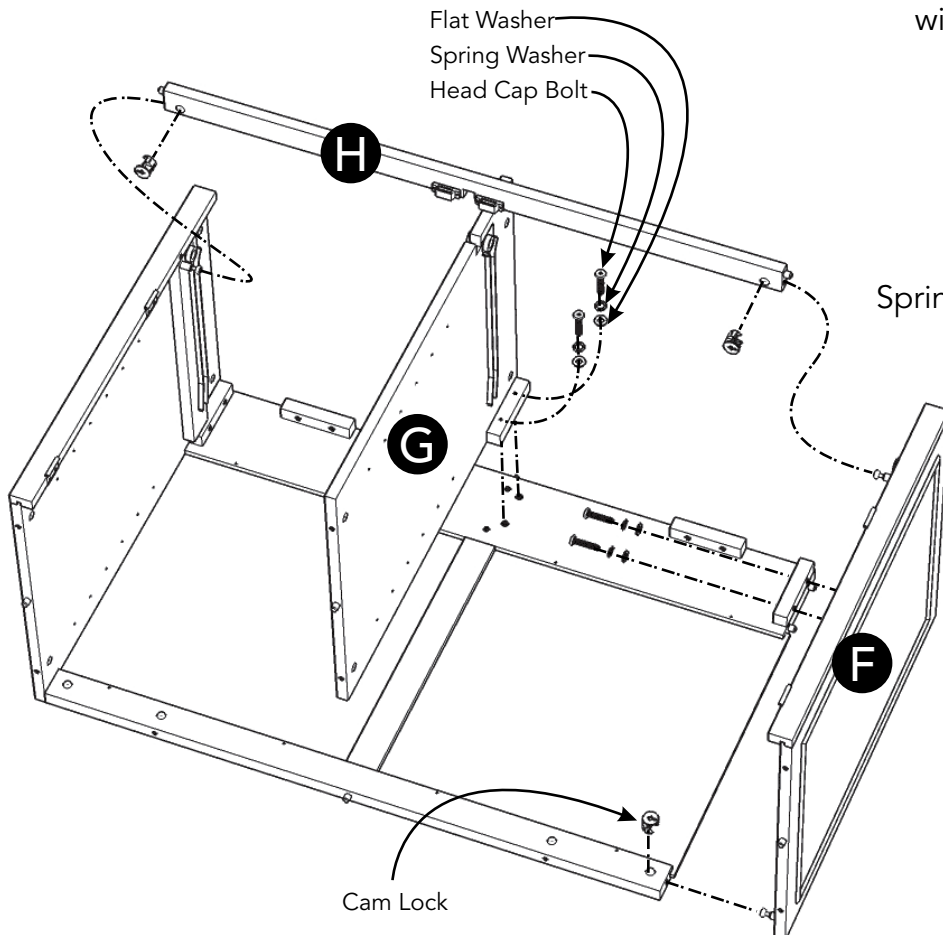
Figure 4

### STEP 4

Attach Middle Panel (G) to unit with Flat Washers, Spring Washers and Head Cap Bolts.

Attach Front Rail (H) to unit with Cam Lock.

Attach Side Panel (F) to unit with Cam Locks, Flat Washers, Spring Washers and Head Cap Bolts.

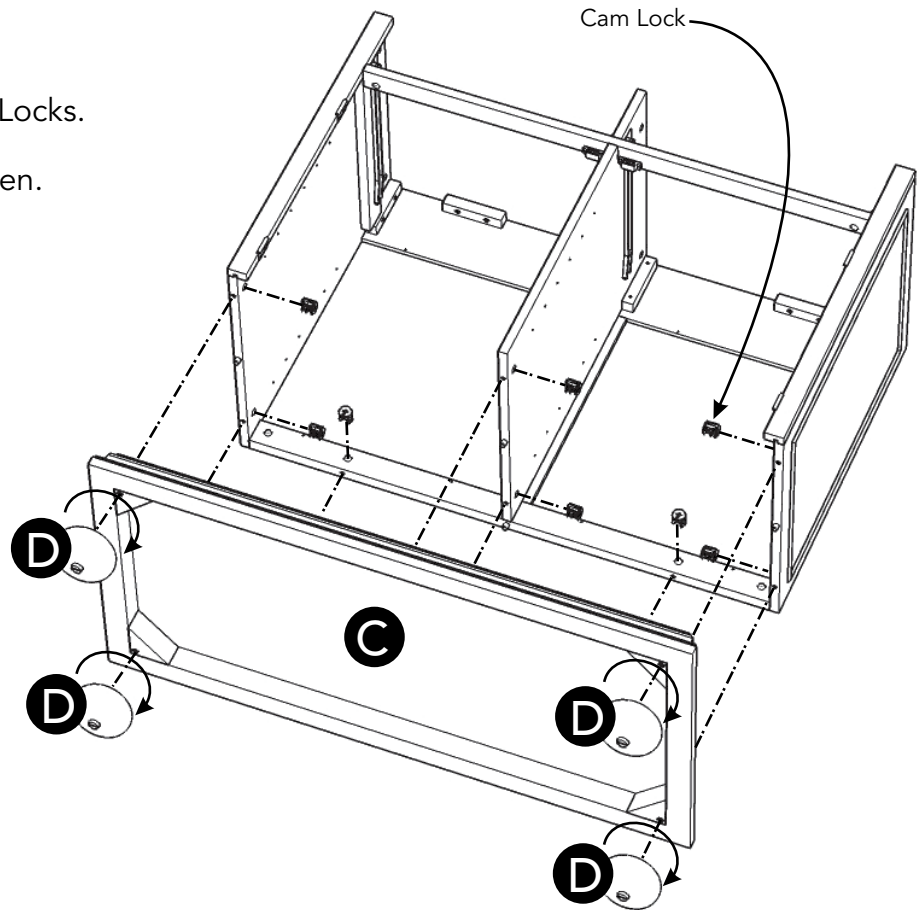


## Assembly Instructions 4/7

### STEP 5

Attach Base (C) to unit with Cam Locks.

Attach Feet (D) to unit, then tighten.



### STEP 6

Turn unit to its' upright position.

Attach Leaf Supports (M) and (N) to unit with Wood Screws for Hinge. (See Figure 5)

Attach Leaf Support (L) to unit, then tighten.

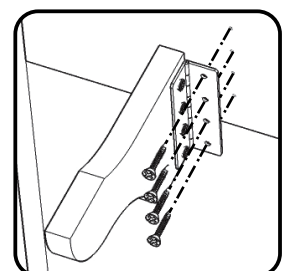
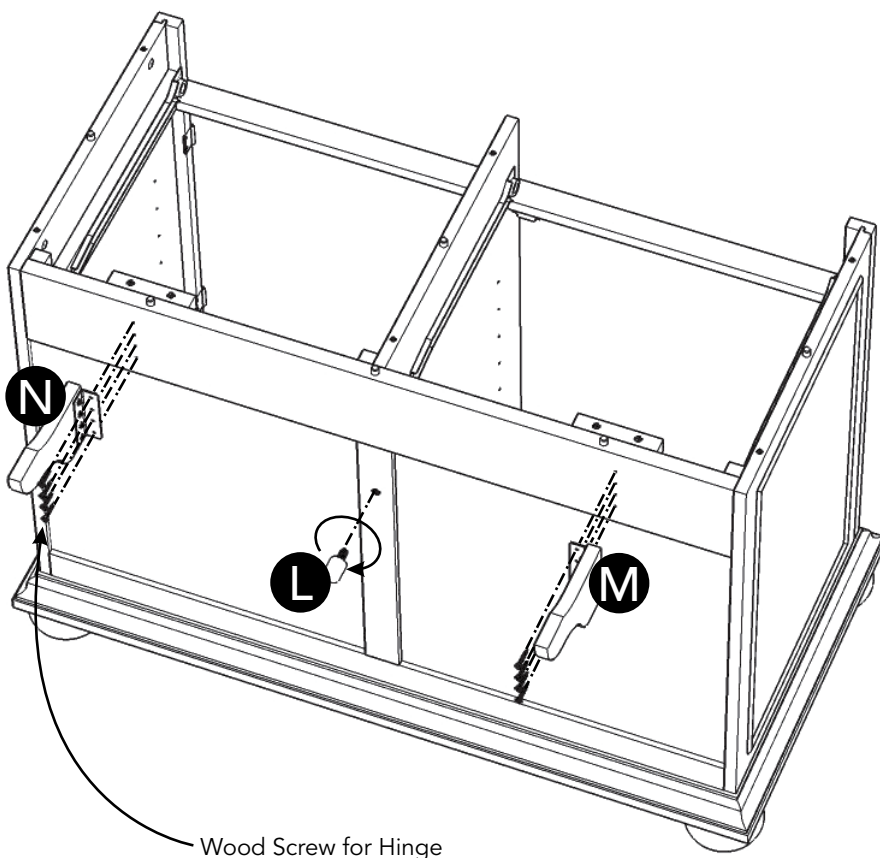


Figure 5

## Assembly Instructions 5/7

### STEP 7

Place Top (A) and Leaf Top (B) upside down on a soft cloth.

Attach Leaf Top (B) to Top (A) with Wood Screws for Hinge. (See Figure 6)

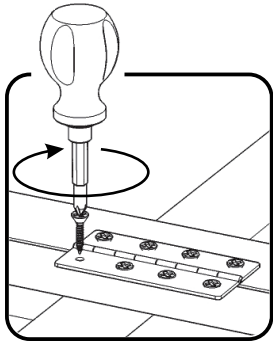
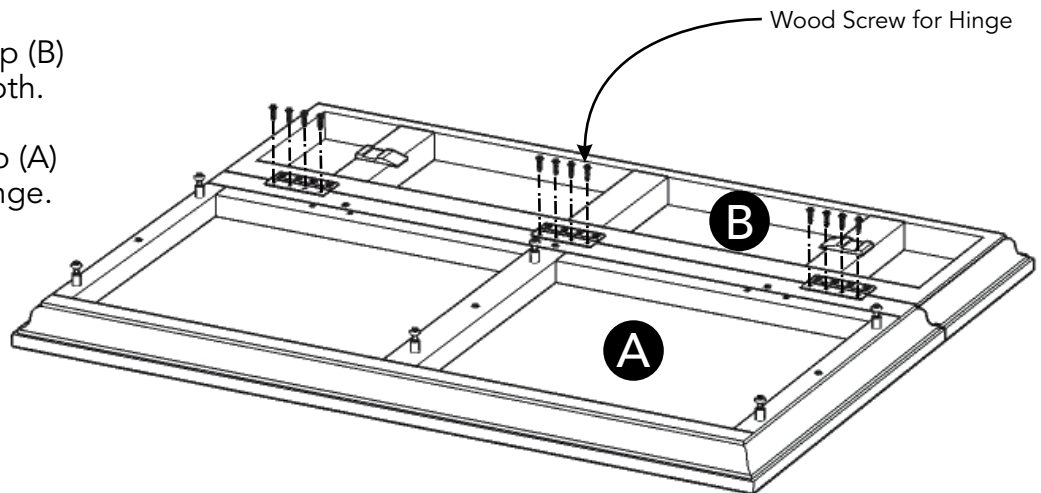


Figure 6



### STEP 8

Attach Top (A) to unit with Cam Locks, Flat Washers, Spring Washers and Head Cap Bolts.

Level unit by adjusting the adjustable levelers on bottom of unit. (See Figure 7)

Note: Unit must be level to proceed.

Insert Wood Screws (short) into pre-drilled holes in unit, then tighten.

Note: Unit must be level before tightening these screws.

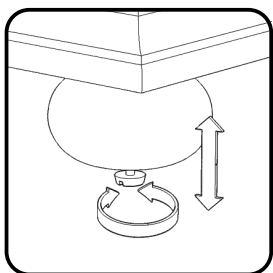
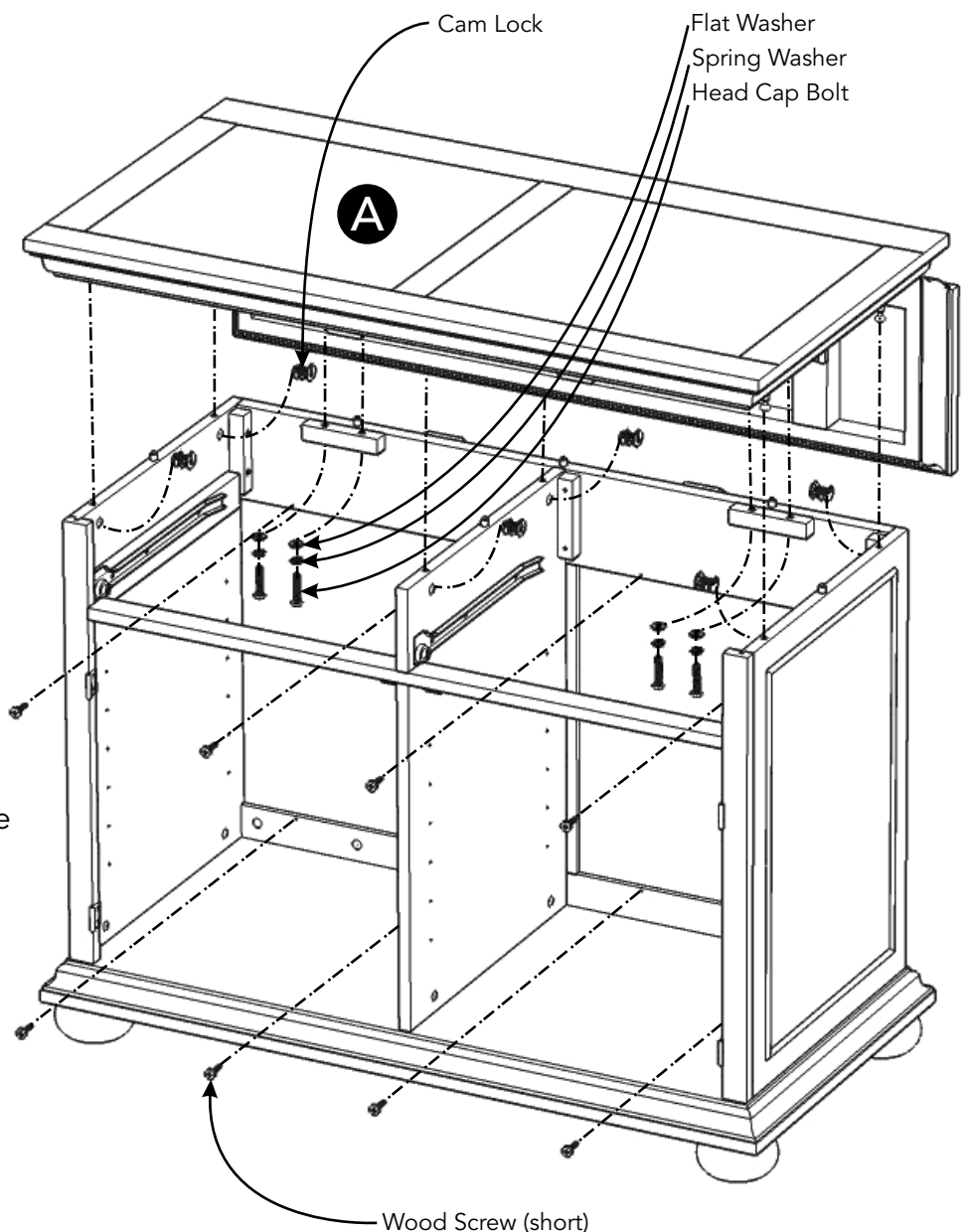
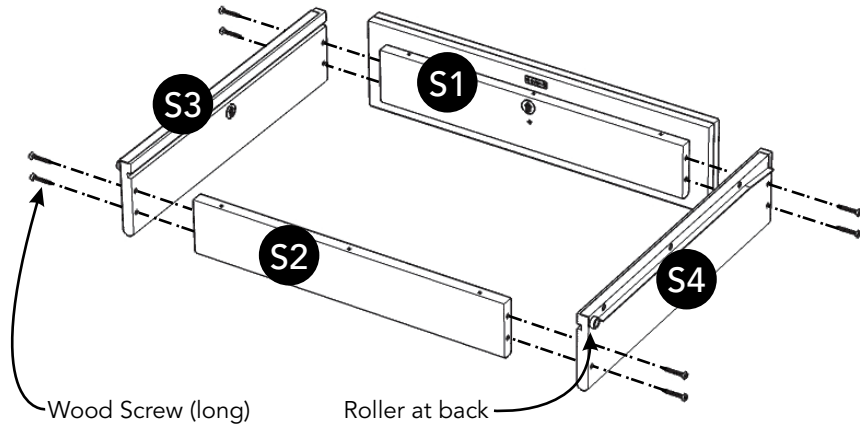


Figure 7



# Assembly Instructions 6/7

## Drawer (S)



### STEP 9

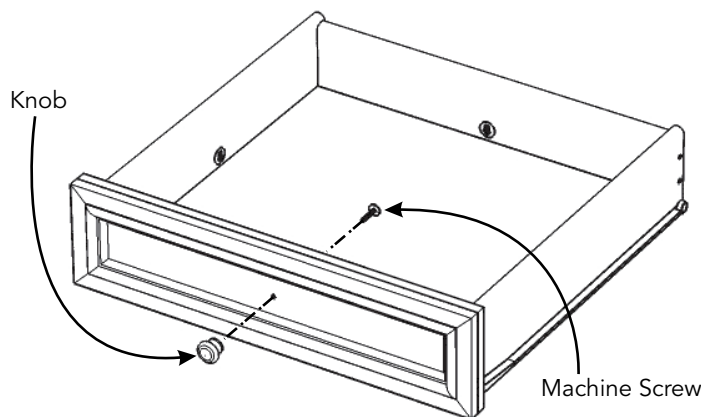
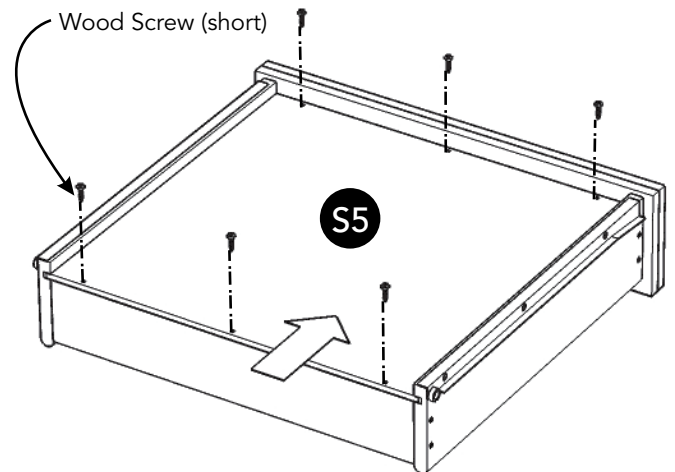
Attach Drawer Front (S1) and Drawer Back (S2) to Drawer Side (S3) with Wood Screws (long).

Attach Drawer Side (S4) to unit with Wood Screws (long).

### STEP 10

Slide Drawer Bottom (S5) into groove.

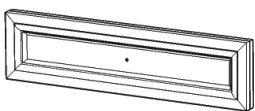
Attach Drawer Bottom (S5) to unit with Wood Screws (short).



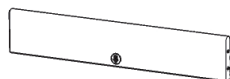
### STEP 11

Attach Knob with Machine Screw.

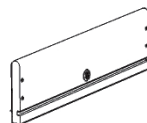
## Part List



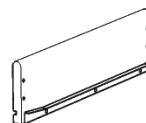
S1.  
Drawer Front  
2 pcs.



S2.  
Drawer Back  
2 pcs.



S3.  
Drawer Side  
2 pcs.



S4.  
Drawer Side  
2 pcs.



S5.  
Drawer Bottom  
2 pcs.

# Assembly Instructions 7/7

## STEP 12

Insert Adjustable Pins into side panels and middle panel at desired level.

Place Shelves (K) into position.

Attach Doors (Q) and (R) to unit by sliding door hinges into side panel hinges. (See Figure 8)

Attach Knobs to Doors (Q) and (R) with Machine Screws. (See Figure 9)

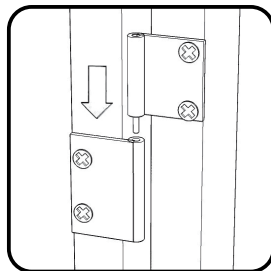
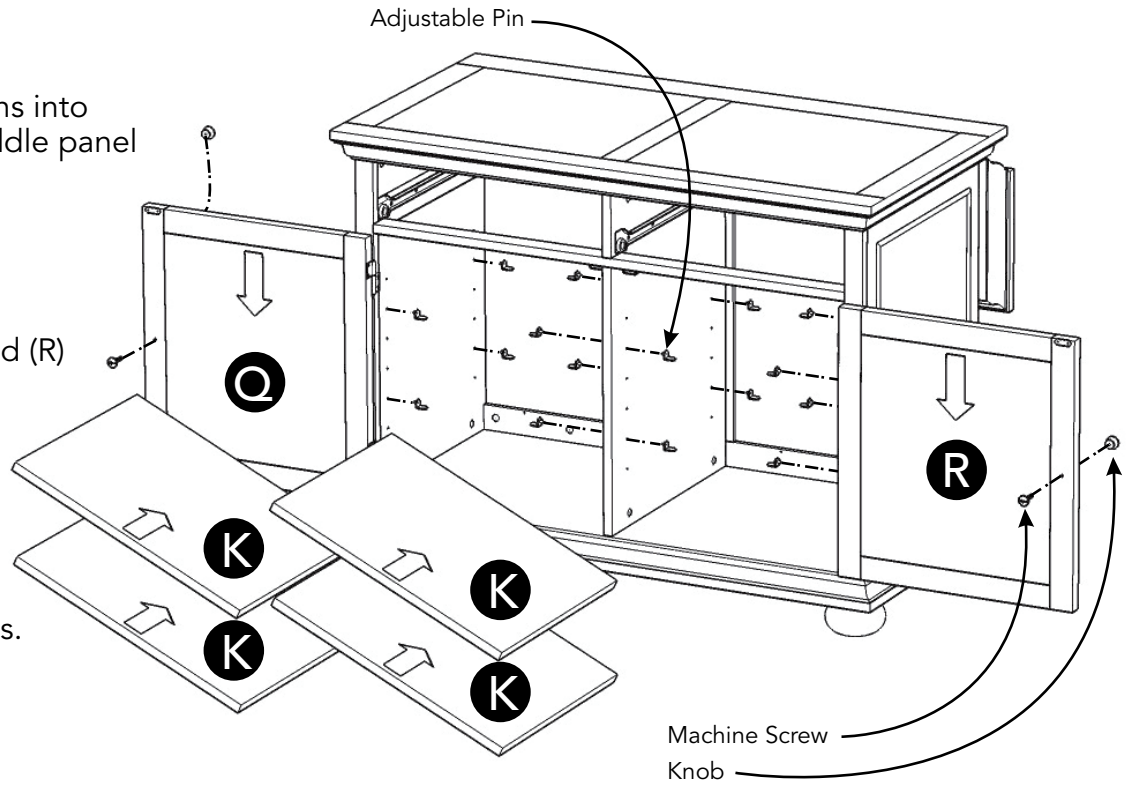


Figure 8

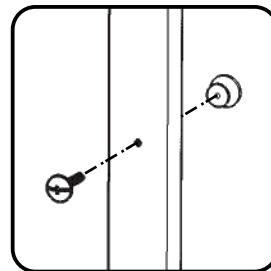
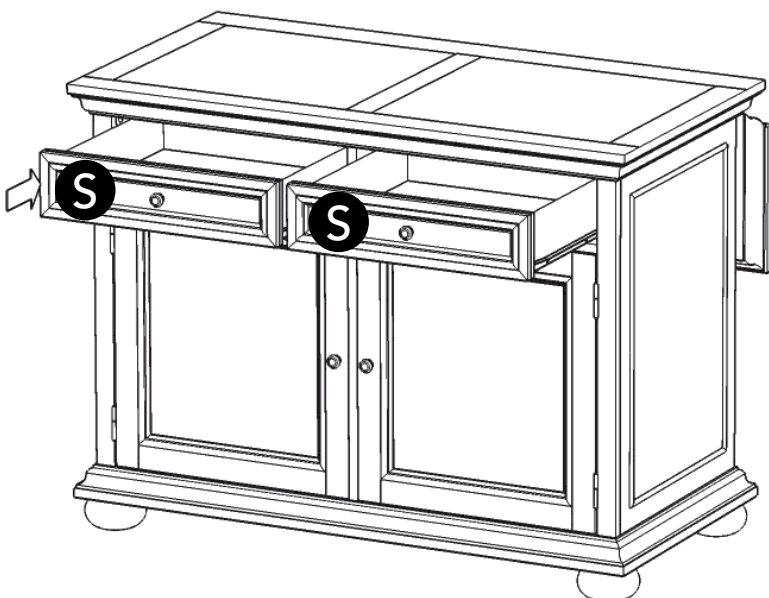


Figure 9



## STEP 13

Slide Drawers (S) into position.

# CARE INSTRUCTIONS

## NEVER

allow liquids to remain on furniture.  
Absorption causes parts to warp  
and split and finishes to delaminate.

## NEVER

use glass cleaners on  
finished furniture. Ammonia  
chemically attacks the finish.



Do not use power tools  
above 8 volts to assemble.

**PREVENT  
CRACKING**



Do not place  
in direct sunlight.

**PREVENT  
FADING**



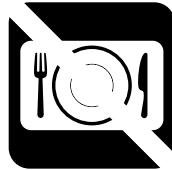
Do not write  
directly on surface.

**PREVENT  
MARKING**



Do not place hot  
objects on surface.

**PREVENT  
FINISH DAMAGE**



Do not use rubber  
based placemats.

**PREVENT  
DISCOLORING**



Do not use commercial  
waxes and polishes.

**PREVENT  
YELLOWING**

## CLEAN

with a soft cloth moistened  
in lukewarm soap and water.  
Buff with a dry clean cloth.



Home Styles will provide replacements free of charge for missing or damaged hardware or parts within 30 days of purchase. Digital images of the defective parts may be required. If the product was not purchased from an authorized retail affiliate, Home Styles is under no obligation to provide replacement parts. Parts are not available for fully assembled items nor are parts available for sale. Replacements for missing or damaged hardware or parts may be requested at:

[www.homestyles-furniture.com/customer-service/replacement-parts](http://www.homestyles-furniture.com/customer-service/replacement-parts)

Home Styles Customer Service: [www.homestyles-furniture.com](http://www.homestyles-furniture.com),  
[servicedesk@homestyles-furniture.com](mailto:servicedesk@homestyles-furniture.com), 888-680-7460, 877-831-0319