

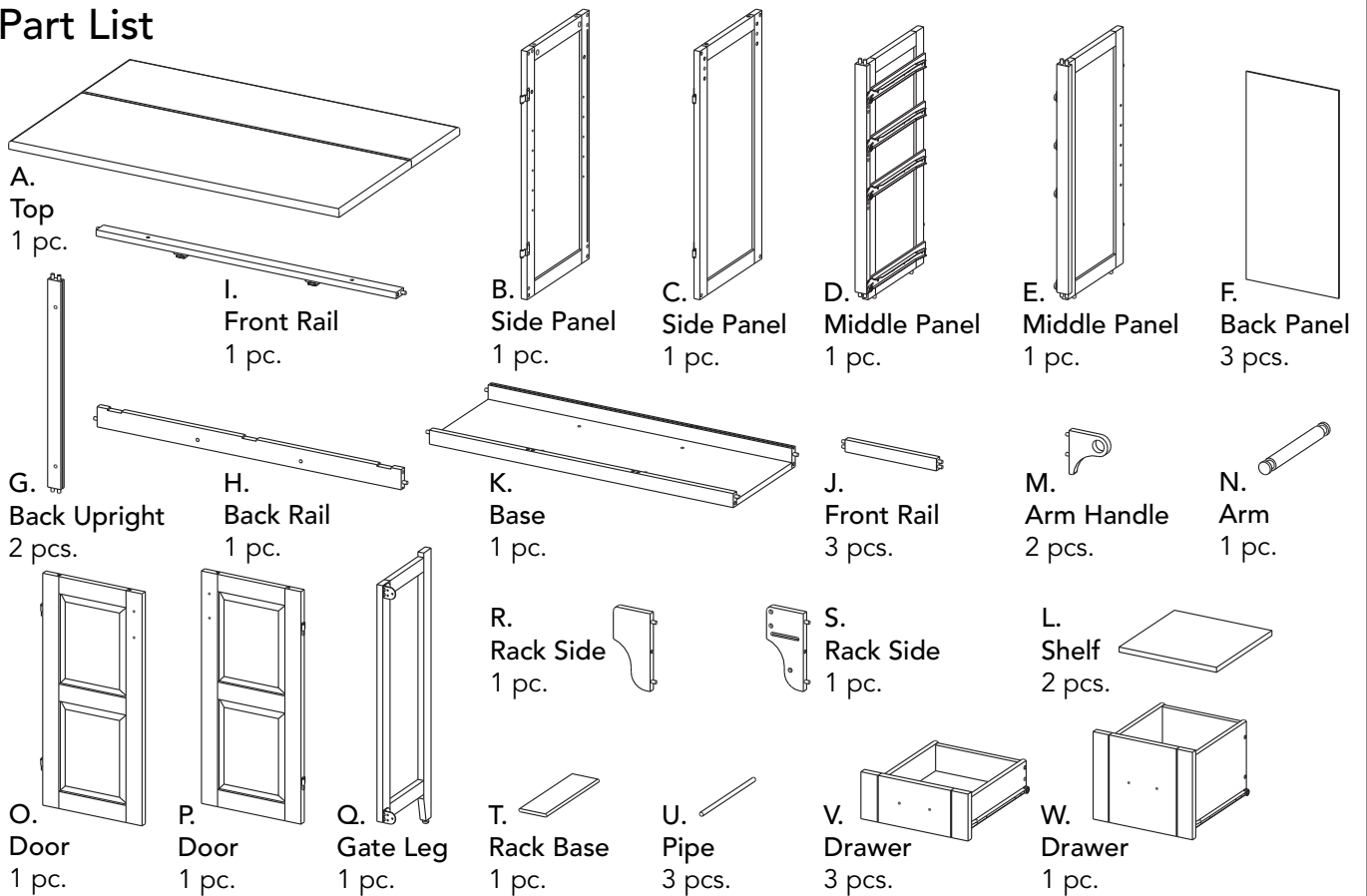
IMPORTANT

Carefully remove all the parts from the carton and place them individually on a soft cloth to prevent scratches or other damage.

Carefully and strictly follow these assembly instructions to ensure a completed product as designed.

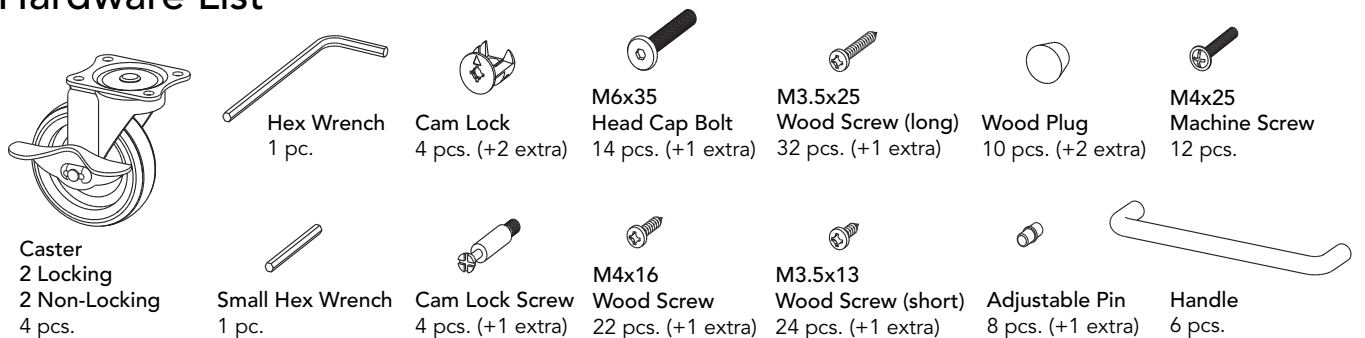
Do not use power tools above 8 volts to assemble.

Part List



Refer to later page(s) of these instructions for drawer assembly.

Hardware List



Tool(s) required for assembly: Phillips screwdriver

Assembly Instructions 2/9

IMPORTANT

- Use a soft cloth between these parts and the floor.
- Do not use power tools above 8 volts to assemble.
- Do not tighten all the bolts until each part is properly assembled.
- Keep Hex Wrench as the bolts may need to be tightened in the future.

STEP 1

Attach Side Panel (B) to Base (K) with Head Cap Bolts. (See Figure 1)

Attach Back Upright (G) to Middle Panel (D), then attach to unit.

Attach Back Upright (G) to Middle Panel (E), then attach to unit.

Note: Assemble so Arrow labels on Back Uprights (G) point to each other.

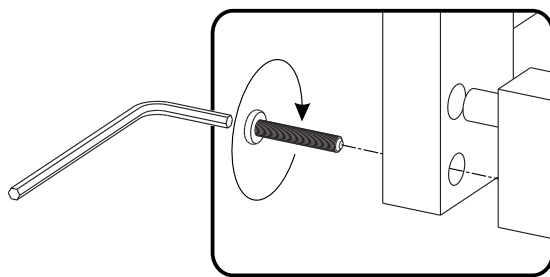
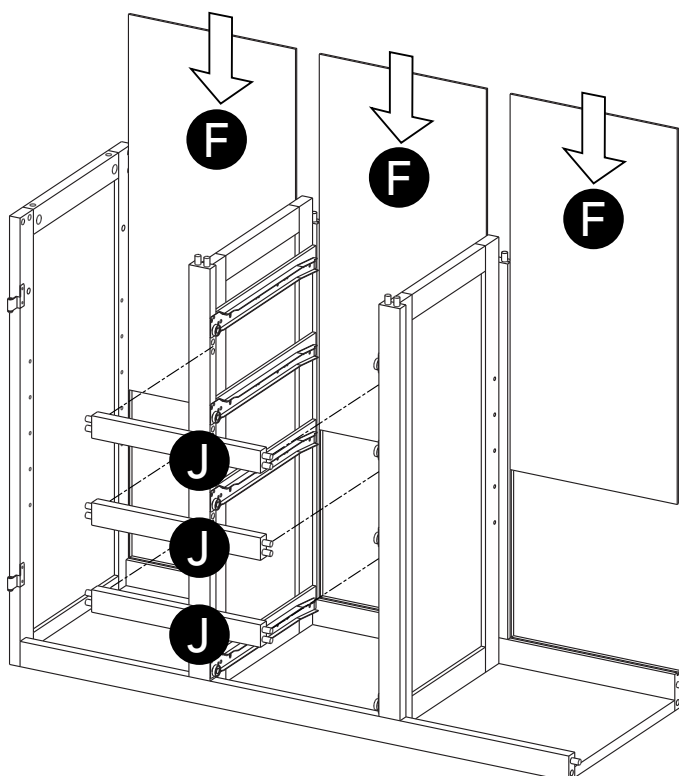
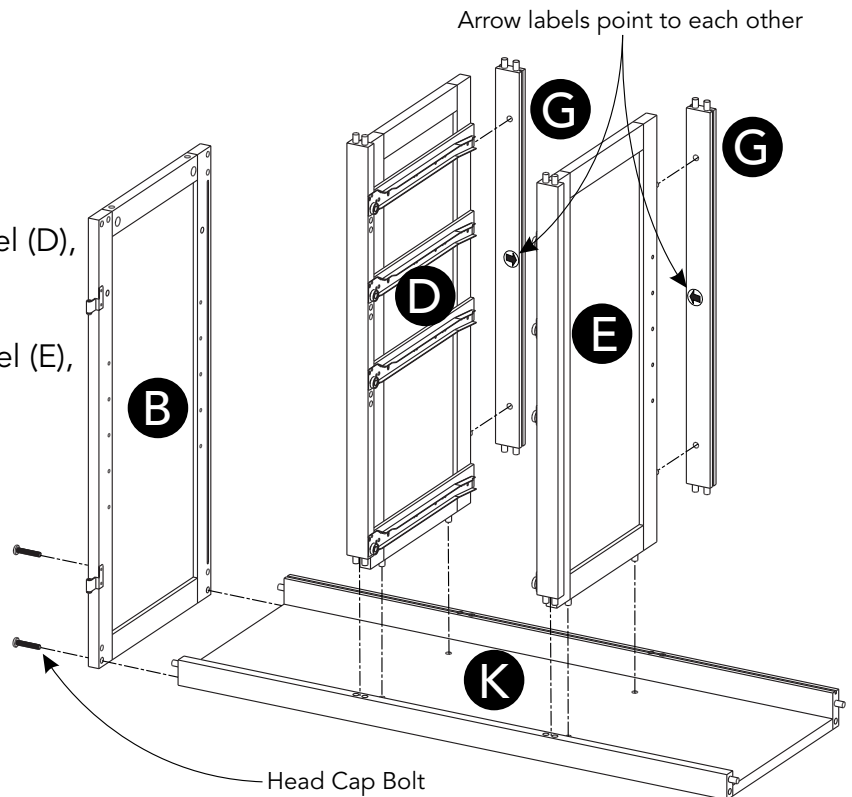


Figure 1



STEP 2

Attach lower Front Rail (J) to unit.

Attach middle Front Rail (J) to unit.

Attach upper Front Rail (J) to unit.

Slide Back Panels (F) into position.

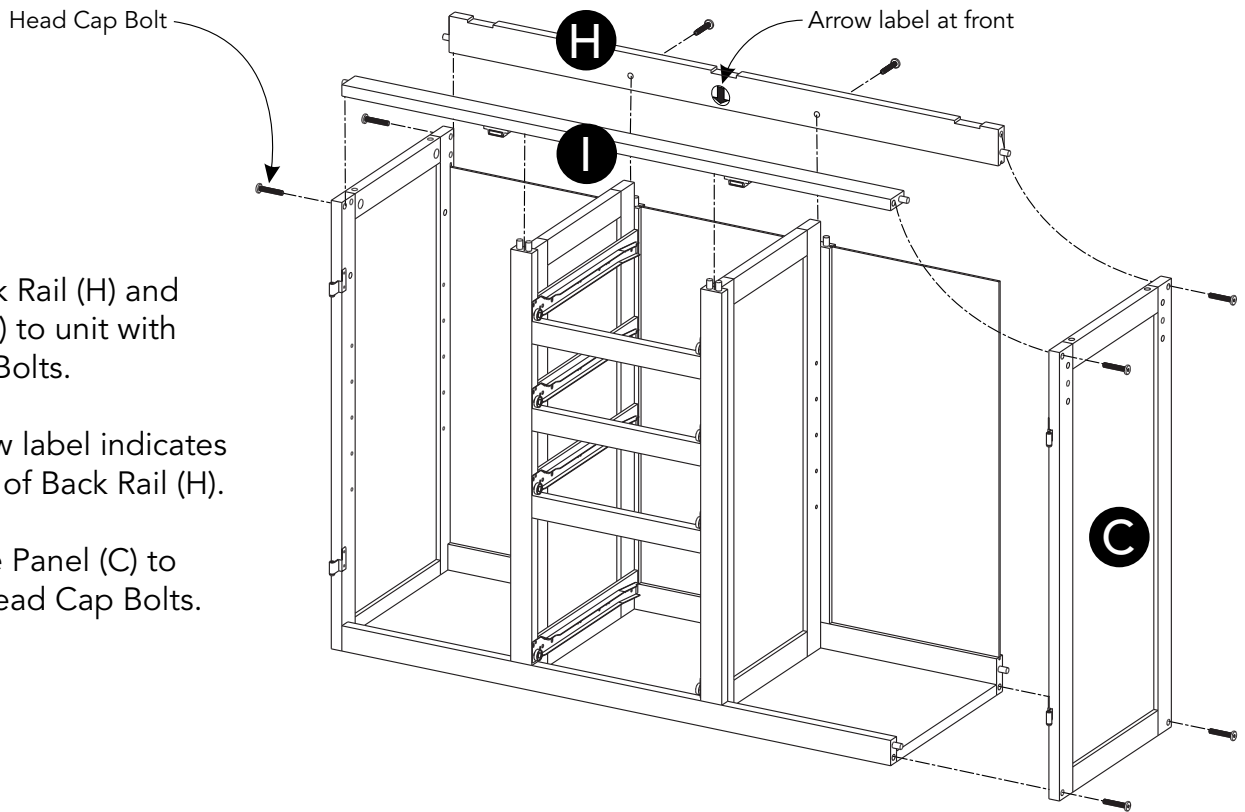
Assembly Instructions 3/9

STEP 3

Attach Back Rail (H) and Front Rail (I) to unit with Head Cap Bolts.

Note: Arrow label indicates front of Back Rail (H).

Attach Side Panel (C) to unit with Head Cap Bolts.



STEP 4

Turn unit upside down.

Attach Casters to unit with Wood Screws into pre-drilled holes, with Locking Casters at front. (See Figure 2)

Note: Arrow label indicates front of unit.

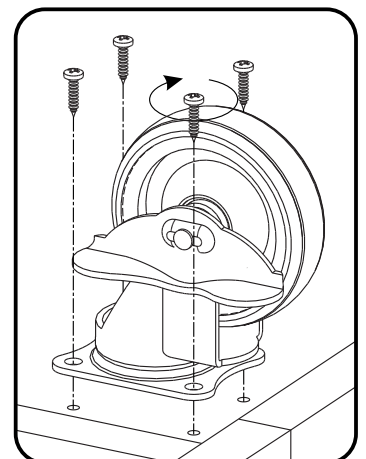
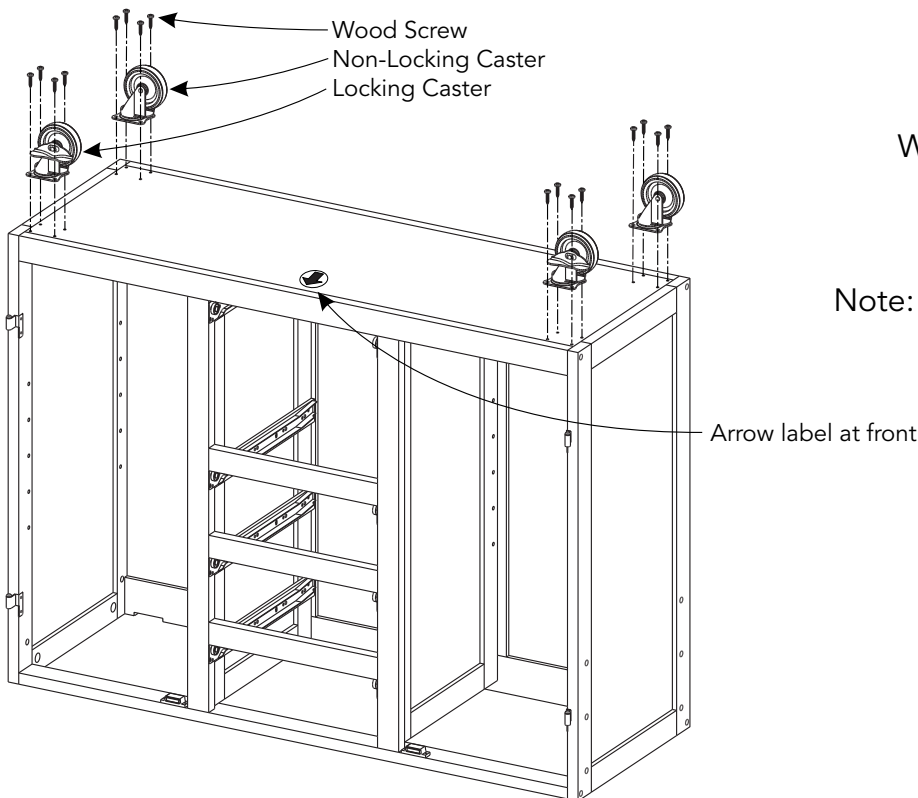


Figure 2

Assembly Instructions 4/9

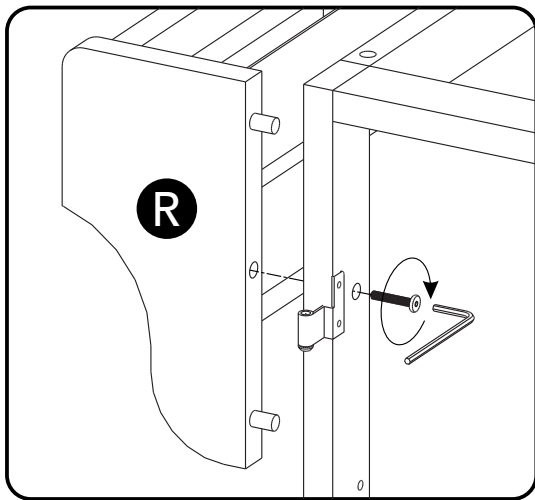
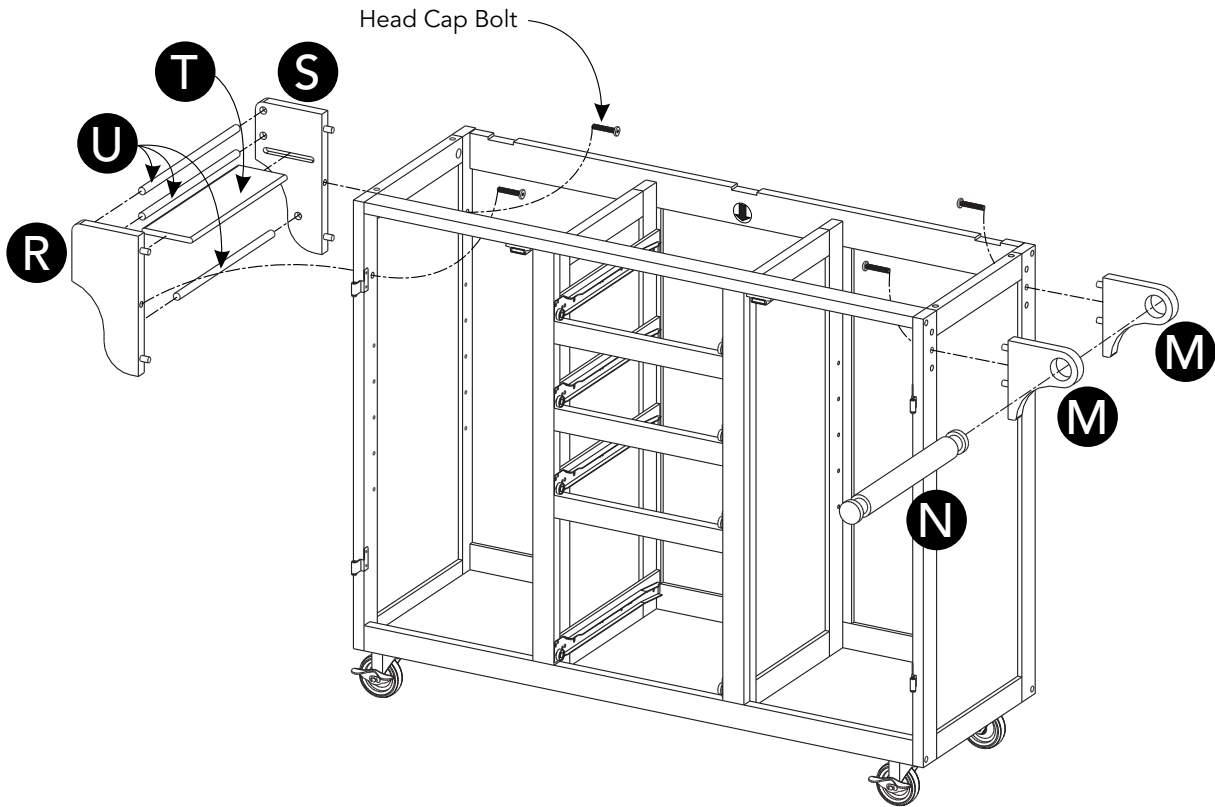


Figure 3

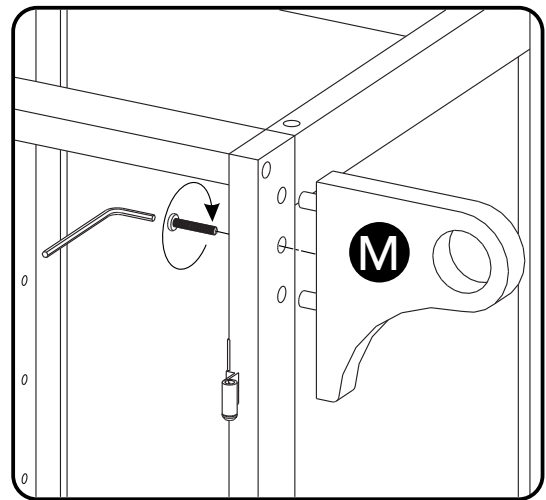


Figure 4

STEP 5

Turn unit over to its upright position.

Attach Rack Side (R) to unit with Head Cap Bolt. (See Figure 3)

Slide Rack Base (T) and Pipes (U) into Rack Side (R).

Attach Rack Side (S) to unit with Head Cap Bolt.

Attach Arm Handles (M) to unit with Head Cap Bolts. (See Figure 4)

Slide Arm (N) into position.

STEP 6

Attach Gate Leg (Q) to back of unit with Wood Screws into pre-drilled holes.
(See Figure 5)

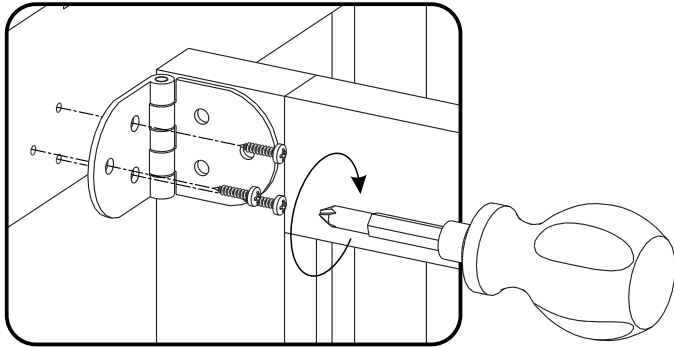
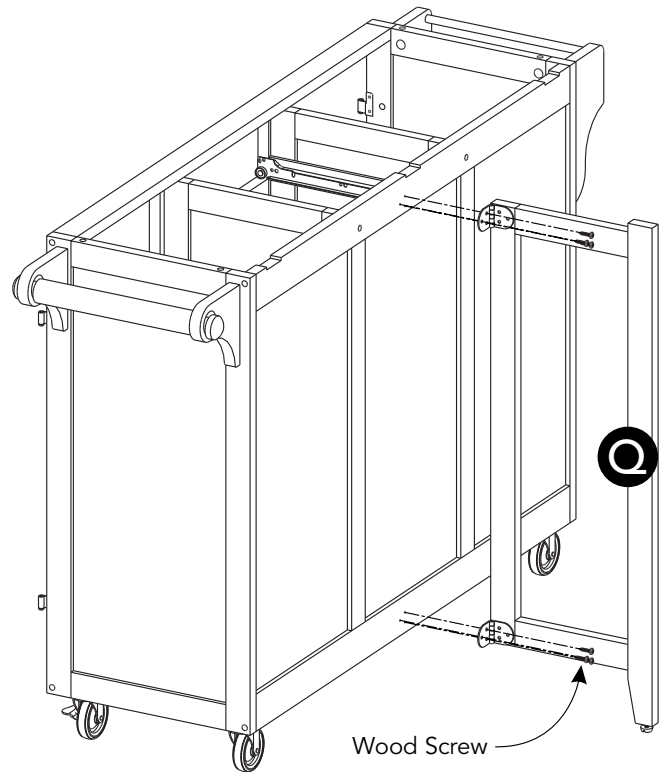
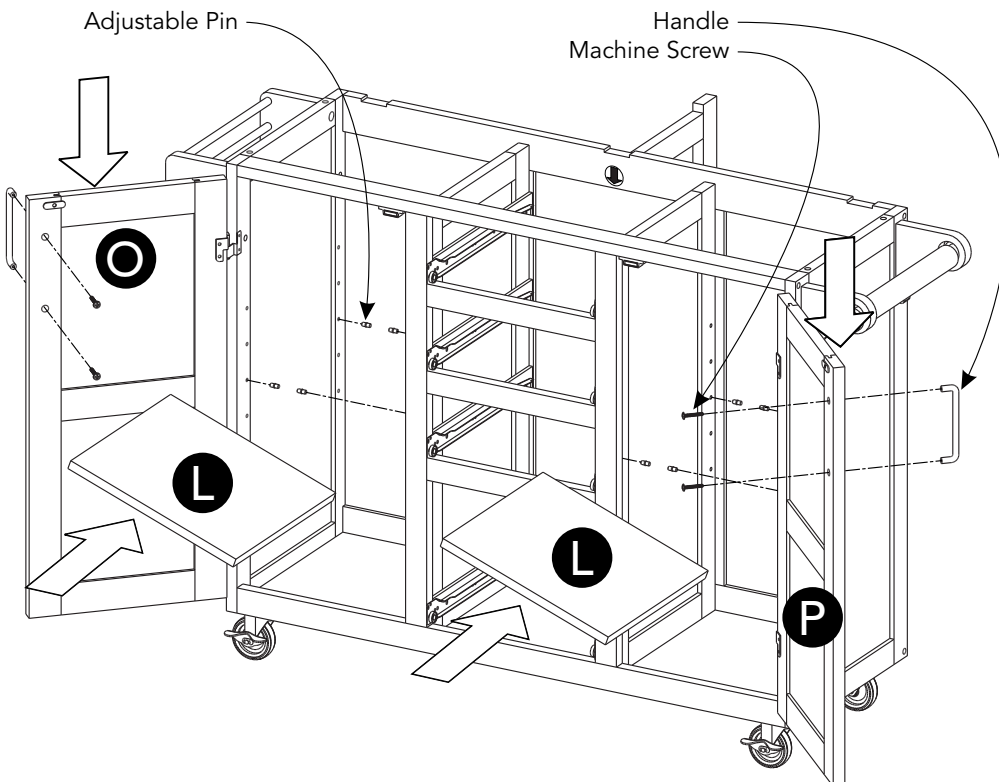


Figure 5



STEP 7



Insert Adjustable Pins into side panels and middle panels at desired level.
(See Figure 6)

Place Shelves (L) into position.

Attach Doors (O) and (P) by sliding door hinges into side panel hinges.
(See Figure 7)

Attach Handles to Doors (O) and (P) with Machine Screws.
(See Figure 8)

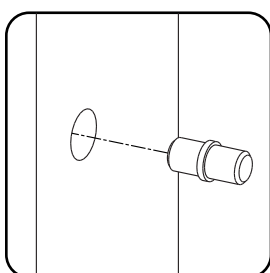


Figure 6

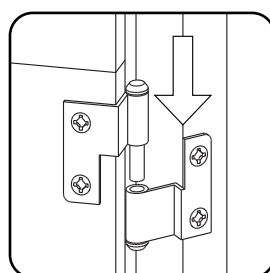


Figure 7

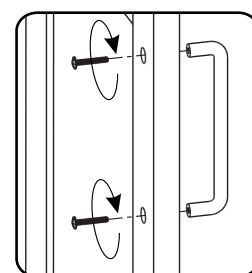
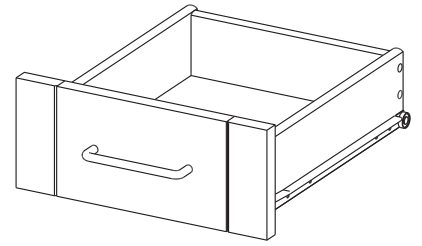


Figure 8

Assembly Instructions 6/9

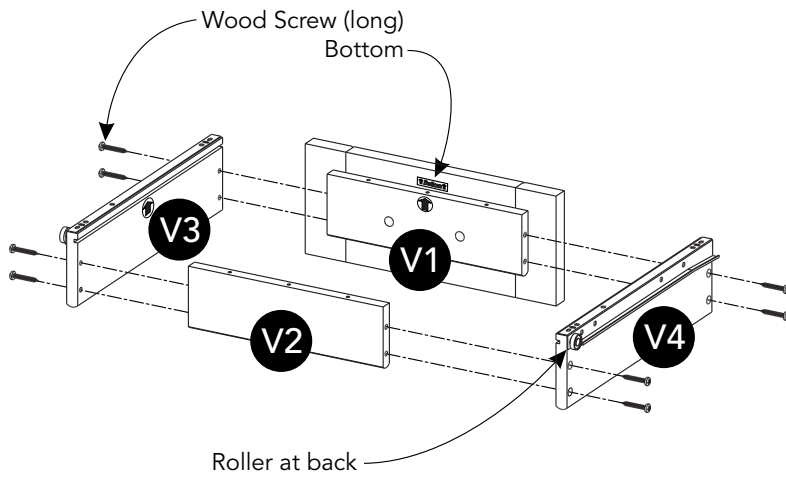
Drawer (V)



STEP 8

Attach Drawer Front (V1) and Drawer Back (V2) to Drawer Side (V3) with Wood Screws (long).

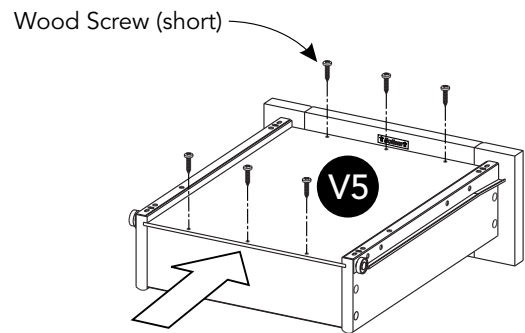
Attach Drawer Side (V4) to unit with Wood Screws (long).



STEP 9

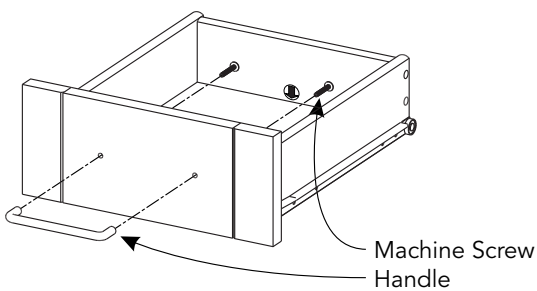
Slide Drawer Bottom (V5) into groove.

Attach Drawer Bottom (V5) to unit with Wood Screws (short).

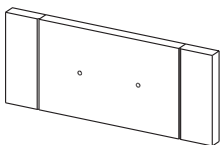


STEP 10

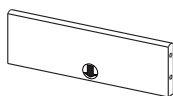
Attach Handle with Machine Screws.



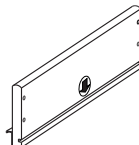
Part List



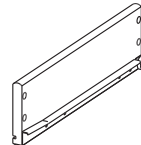
V1.
Drawer Front
3 pcs.



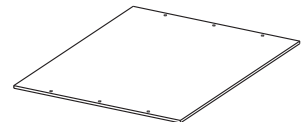
V2.
Drawer Back
3 pcs.



V3.
Drawer Side
3 pcs.



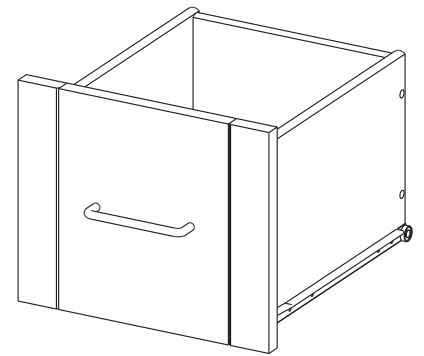
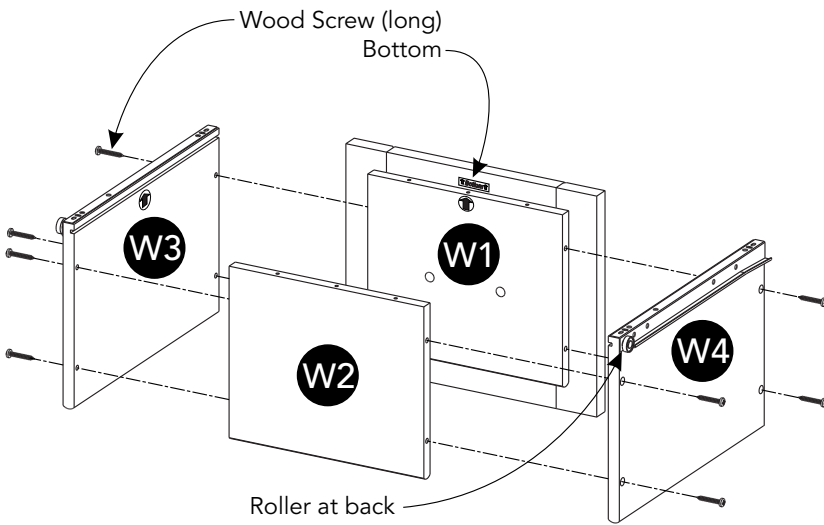
V4.
Drawer Side
3 pcs.



V5.
Drawer Bottom
3 pcs.

Assembly Instructions 7/9

Drawer (W)



STEP 11

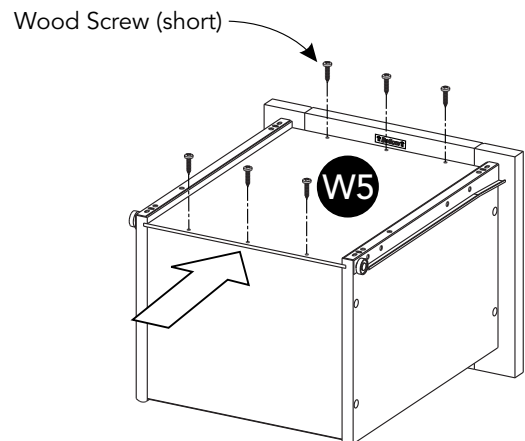
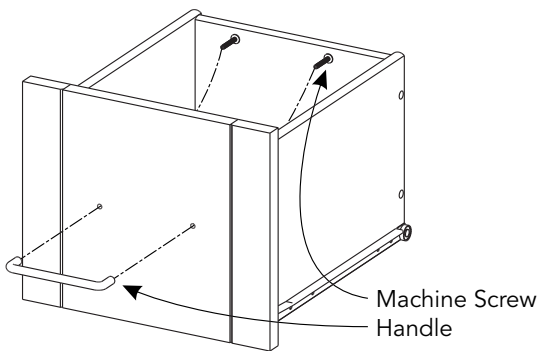
Attach Drawer Front (W1) and Drawer Back (W2) to Drawer Side (W3) with Wood Screws (long).

Attach Drawer Side (W4) to unit with Wood Screws (long).

STEP 12

Slide Drawer Bottom (W5) into groove.

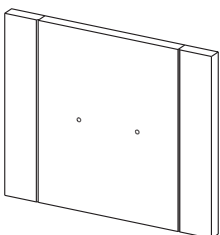
Attach Drawer Bottom (W5) to unit with Wood Screws (short).



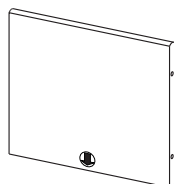
STEP 13

Attach Handle with Machine Screws.

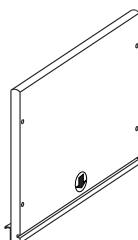
Part List



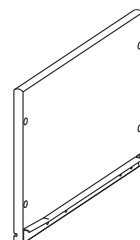
Drawer Front
1 pc.



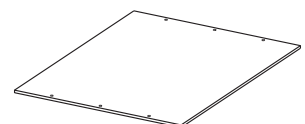
Drawer Back
1 pc.



Drawer Side
1 pc.



Drawer Side
1 pc.



Drawer Bottom
1 pc.

Assembly Instructions 8/9

STEP 14

Place Top (A) upside down on a soft cloth.

Insert Cam Lock Screws into pre-drilled holes in Top (A), then tighten. (See Figure 9)

Cam Lock Screw

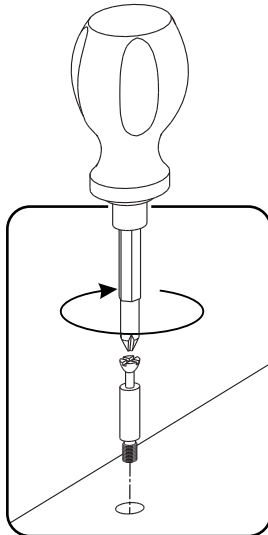
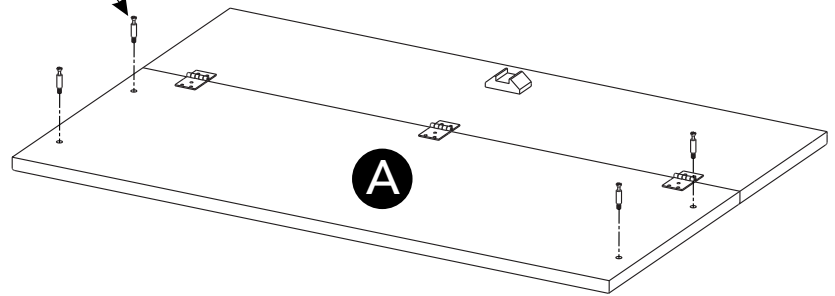


Figure 9

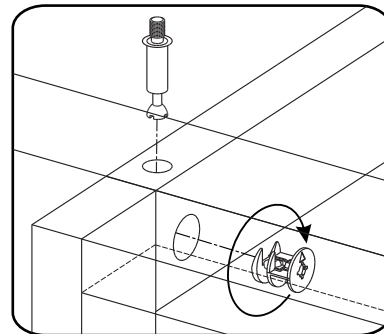
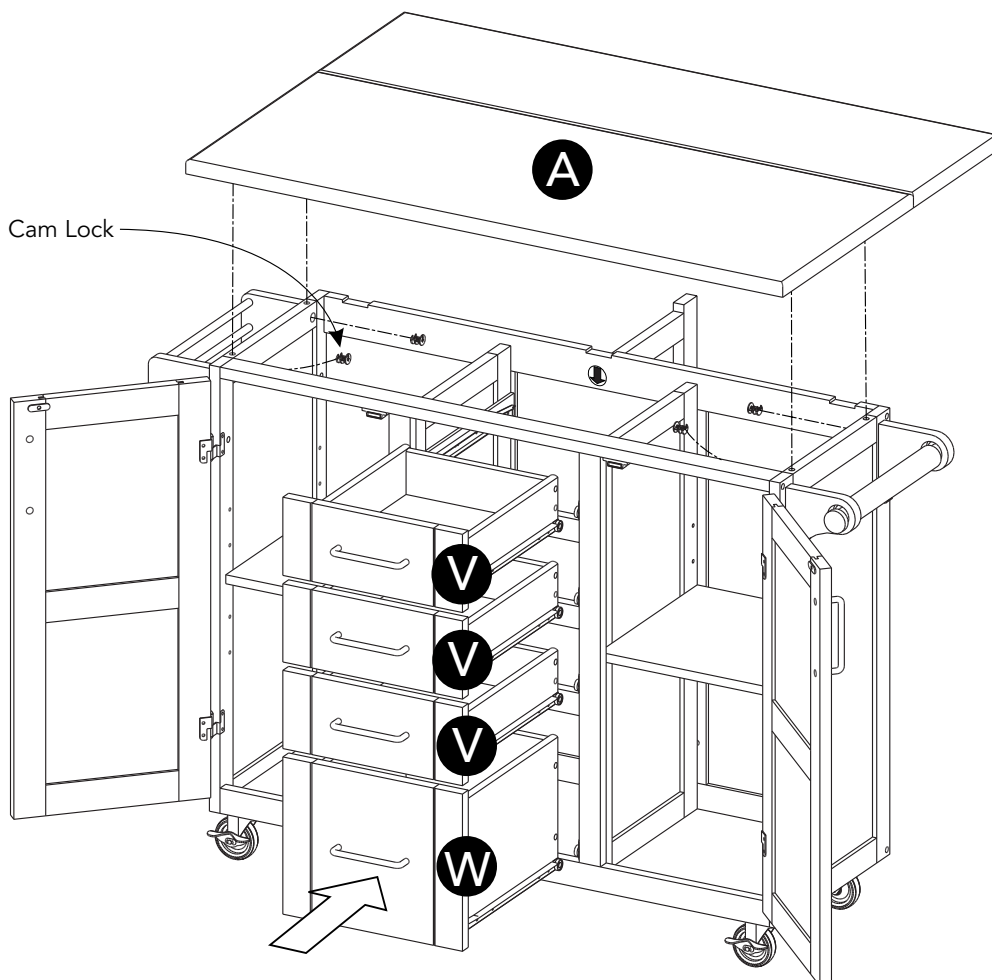


Figure 10

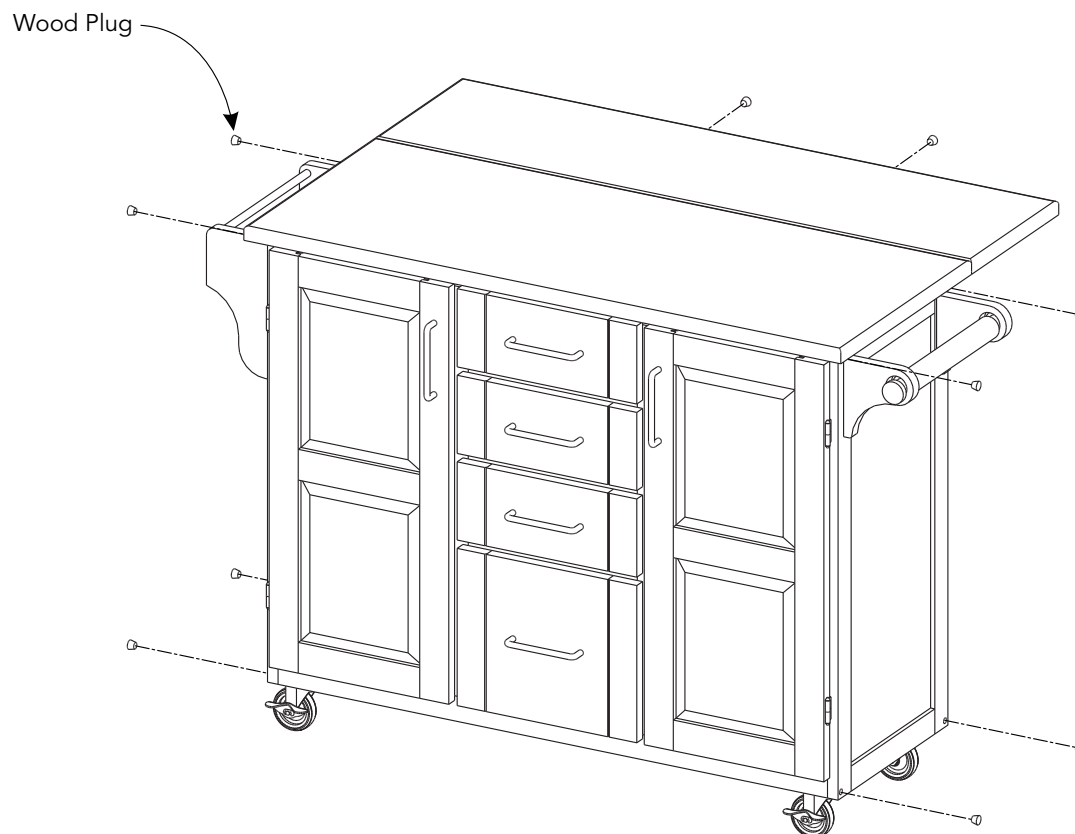


STEP 15

Attach Top (A) to unit with Cam Locks. (See Figure 10)

Slide Drawers (V) and (W) into position.

Assembly Instructions 9/9



STEP 16

Cover all holes with Wood Plugs. (See Figure 11)

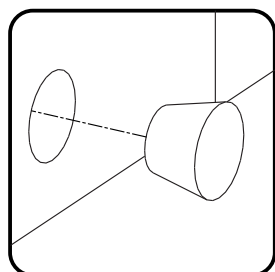


Figure 11

CARE INSTRUCTIONS

NEVER

allow liquids to remain on furniture.
Absorption causes parts to warp
and split and finishes to delaminate.

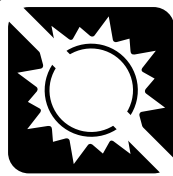
NEVER

use glass cleaners on
finished furniture. Ammonia
chemically attacks the finish.



Do not use power tools
above 8 volts to assemble.

**PREVENT
CRACKING**



Do not place
in direct sunlight.

**PREVENT
FADING**



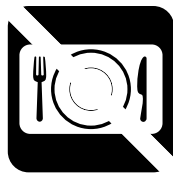
Do not write
directly on surface.

**PREVENT
MARKING**



Do not place hot
objects on surface.

**PREVENT
FINISH DAMAGE**



Do not use rubber
based placemats.

**PREVENT
DISCOLORING**



Do not use commercial
waxes and polishes.

**PREVENT
YELLOWING**

CLEAN

with a soft cloth moistened
in lukewarm soap and water.
Buff with a dry clean cloth.



homestyles will provide replacements free of charge for missing or damaged parts within 30 days of purchase. Digital images of the defective parts may be required. If the product was not purchased from an authorized retailer, **homestyles** is under no obligation to provide replacement parts. Parts are not available for fully assembled items nor are parts available for sale. Replacements for missing or damaged parts may be requested via contact info below.

homestyles Customer Service: www.homestylesfurniture.com,
servicedesk@homestylesfurniture.com, 888-680-7460