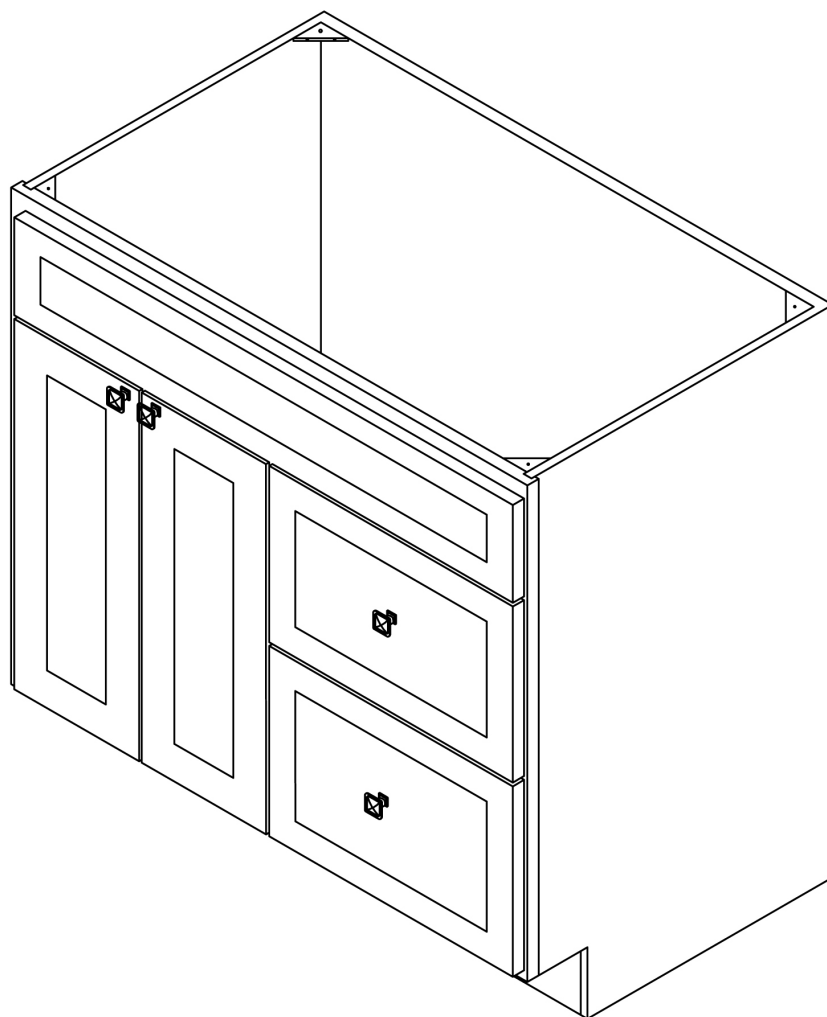


ASSEMBLY INSTRUCTIONS

Espresso & White Two Door Two Drawer
Vanity Base Cabinet



Unpacking Precautions

If using a sharp object to unpack the vanity components and the packing materials, be careful to avoid scratching or damaging the vanity components. The various packing materials may be used to protect the vanity components during assembly. During the unpacking process, place the various components away from and to the side of the work area so that they will not be inadvertently knocked over or otherwise damaged.

Required Tools

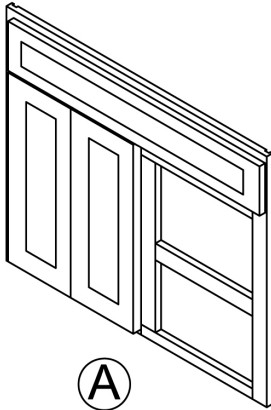
Phillips Screwdriver

Rubber Mallet

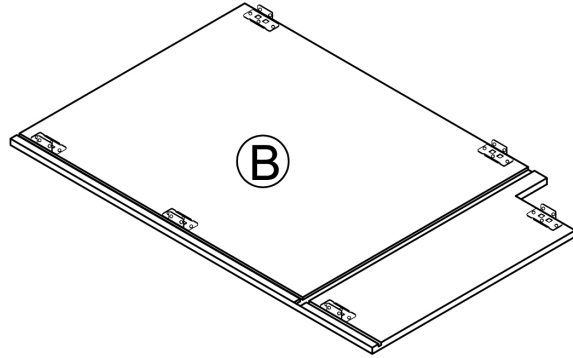
Wood Glue



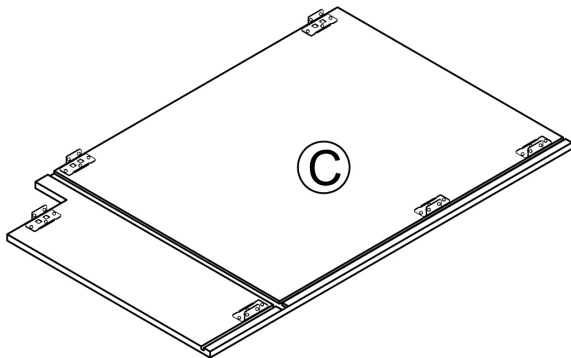
PARTS LIST



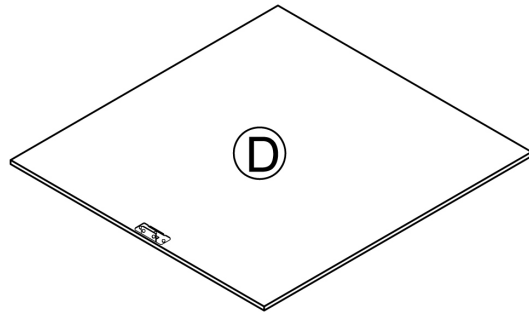
FRONT PANEL 1PC



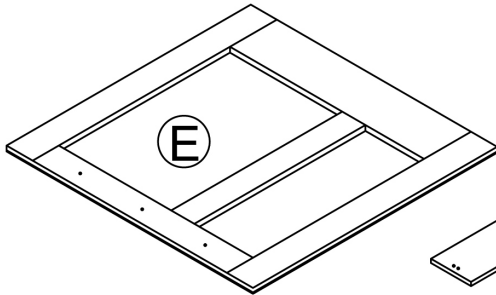
RIGHT SIDE PANEL 1PC



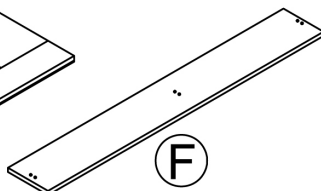
LEFT SIDE PANEL 1PC



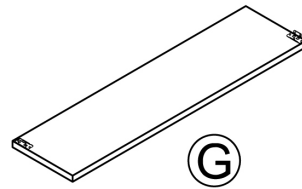
BOTTOM PANEL 1PC



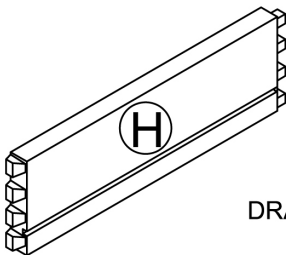
BACK PANEL 1PC



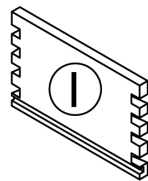
TOE KICK 1PC



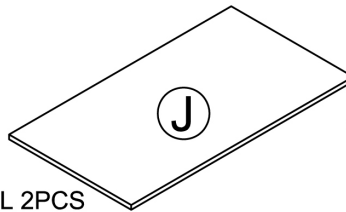
SUPPORT PANEL 1PC



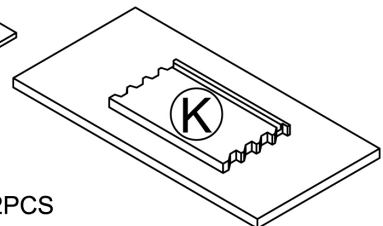
DRAWER SIDE PANEL 4PCS



DRAWER BACK PANEL 2PCS

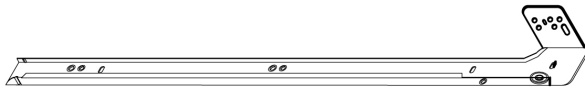


DRAWER BOTTOM PANEL 2PCS

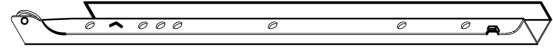


DRAWER FRONT PANEL 2PCS

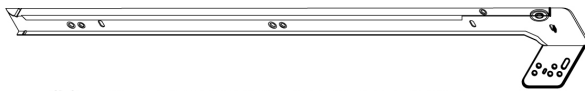
HARDWARE LIST



a(R). EXTERIOR PART OF GLIDE 2PCS



b(R). INTERIOR PART OF GLIDE 2PCS



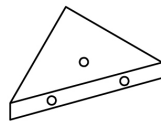
a(L). EXTERIOR PART OF GLIDE 2PCS



b(L). INTERIOR PART OF GLIDE 2PCS



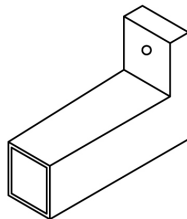
c. KNOB 4PCS



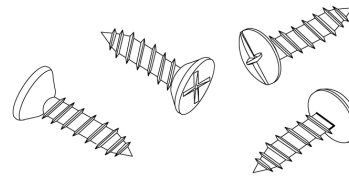
d. WOODEN TRIANGLE 4PCS



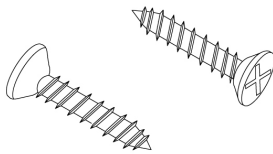
e. RUBBER BUMPER 12PCS



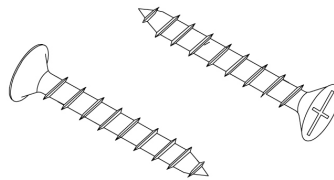
f. GLIDE BRACKET 4PCS



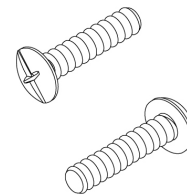
g. 1/2" FLAT (ROUND)HEAD SCREW 50PCS
ROUND HEAD SCREW FOR ESPRESSO METAL CLIP ONLY



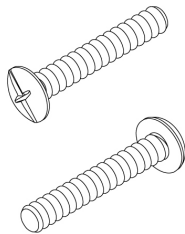
h. 7/8" FLAT HEAD SCREW 8PCS



i. 1-1/8" FLAT HEAD SCREW 7PCS (3 PCS FOR ATTACHING THE BACK PANEL TO THE BOTTOM PANEL, 4PCS FOR CONNECTING TO THE COUNTERTOP)



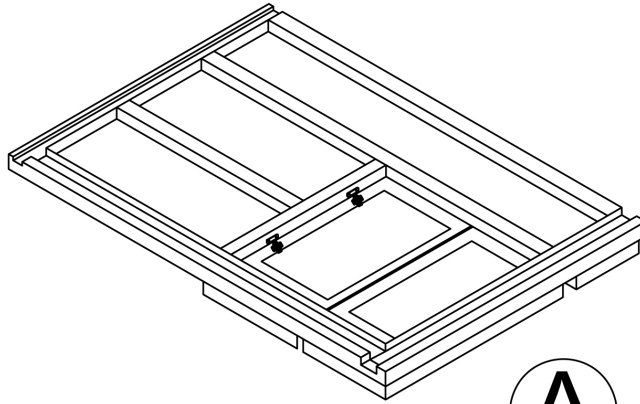
j. KNOB SCREW FOR DOOR 1" 2PCS



k. KNOB SCREW FOR DRAWER 1-1/2" 2PCS

Step 1

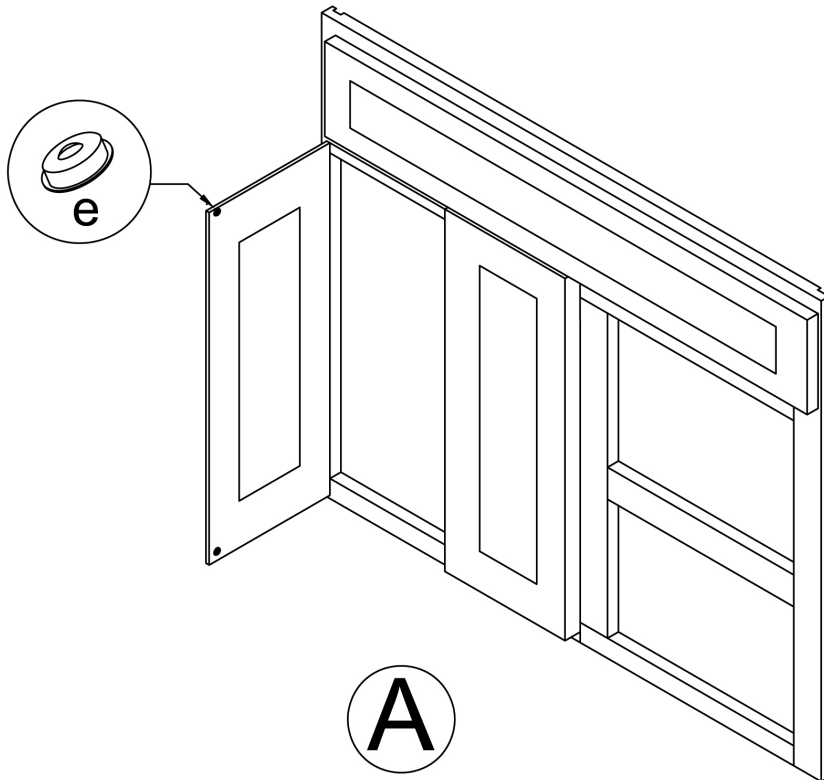
Lay the face frame with doors (A) on the soft surface, doors facing down.



A

Step 2

Attached rubber bumpers to both the top and bottom of each door where they make contact with the face frame to prevent damage and reduce noise .



A

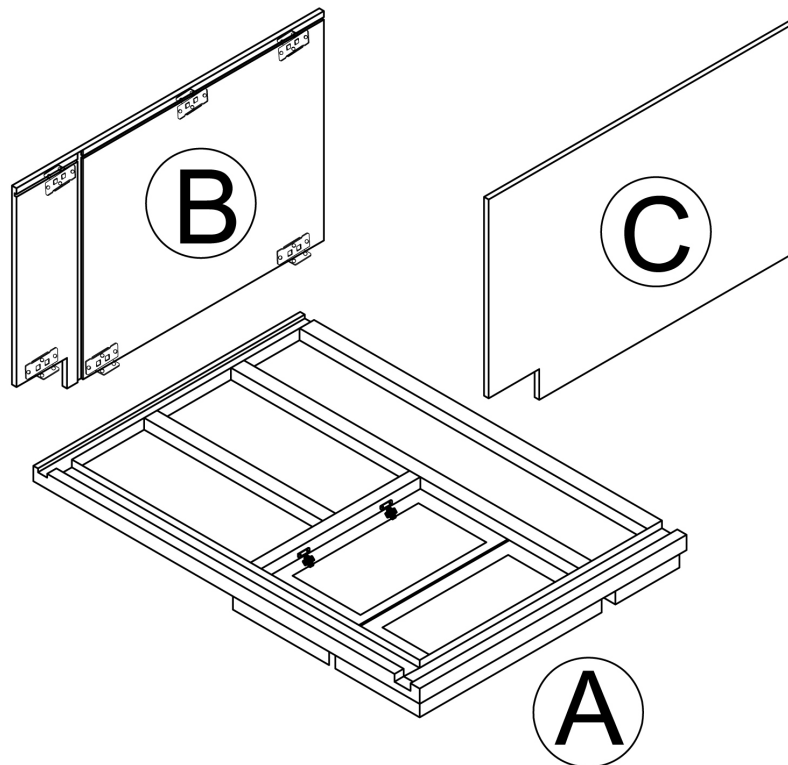
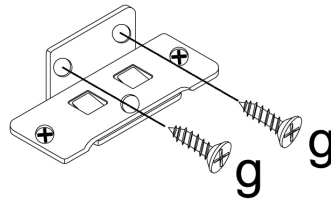
Step 3

Using the wood glue, squeeze a small bead of glue in all grooves before assembling the cabinet sides, bottom, top and back panels. Be careful not to use too much glue, this could cause excess glue to squeeze out and onto the panels, if this should happen, be sure to remove quickly.

Step 4

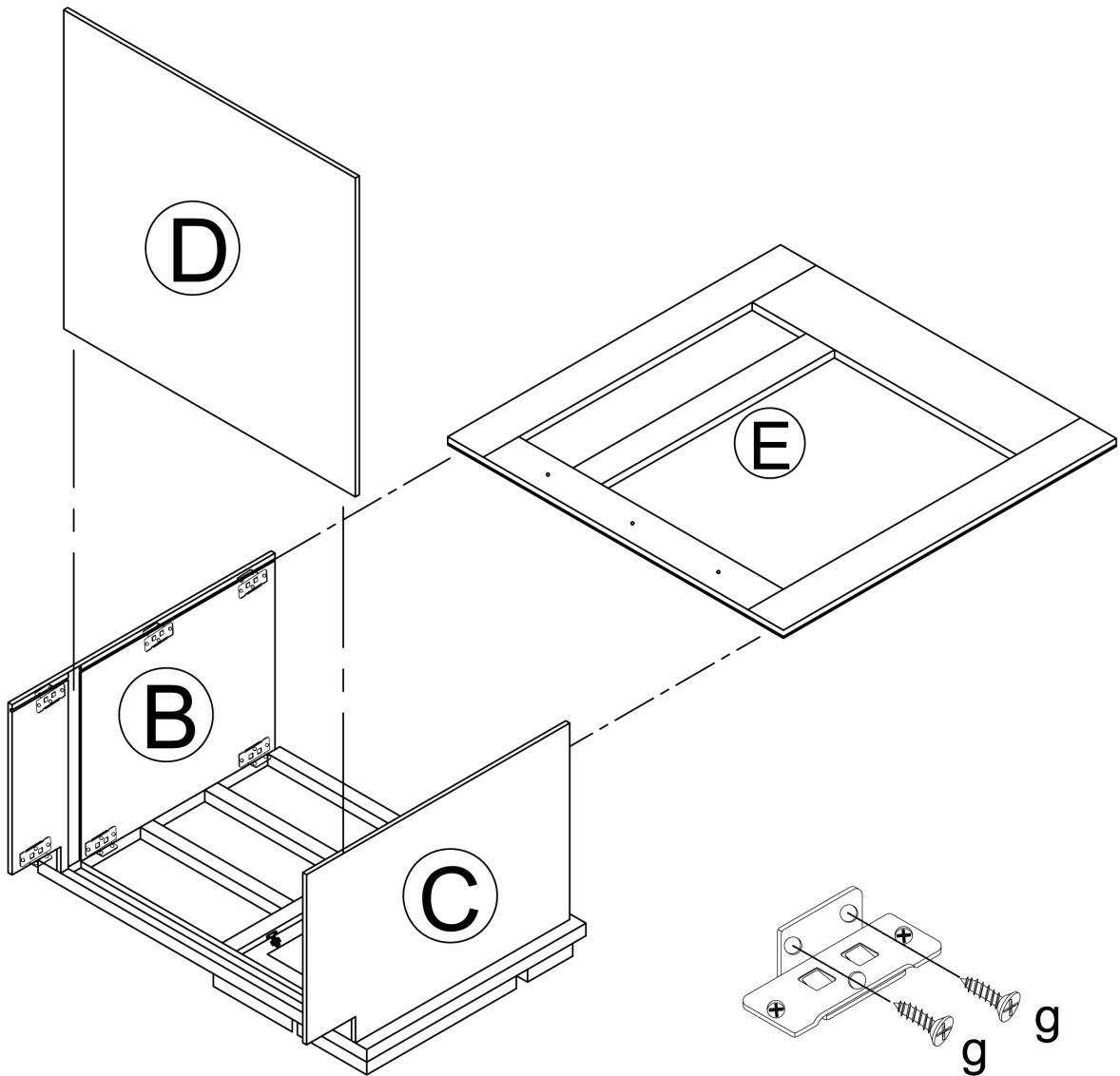
Slide the Right side panel (B) into the groove of the face frame, and mount the male clip to the face frame with the screwdriver. Each male clip will need 2 small screws (g).

Slide the Left side panel (C) into the Left groove of the face frame, and mount the male clip to the face frame with a screwdriver. Each male clip will need 2 small screws (g).



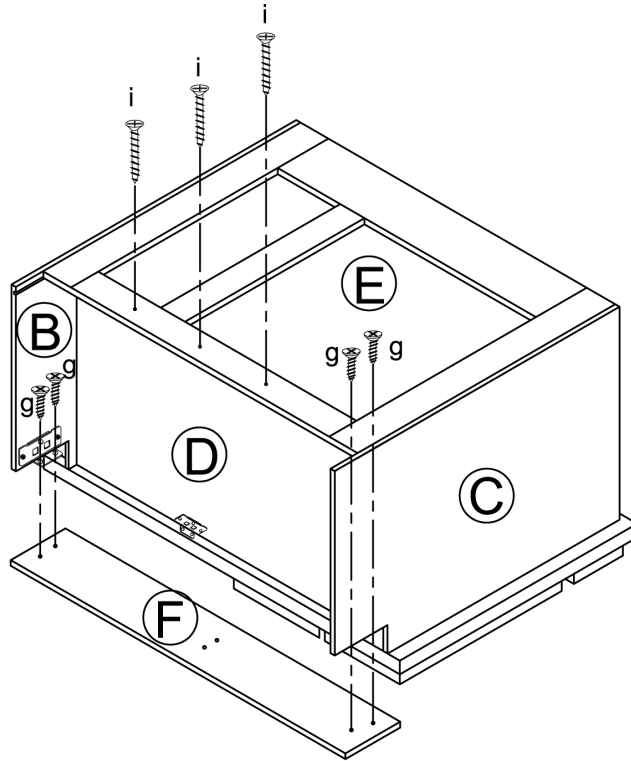
Step 5

Slide bottom panel (D) into the groove of the right and left side panels, and then into the groove in the frame below until it is fully seated. Slide in the back panel (E) and attach the male clips to the back panel. There are three clips on the left side and three clips on the right side. Each male clip will need 2 small screws (g).



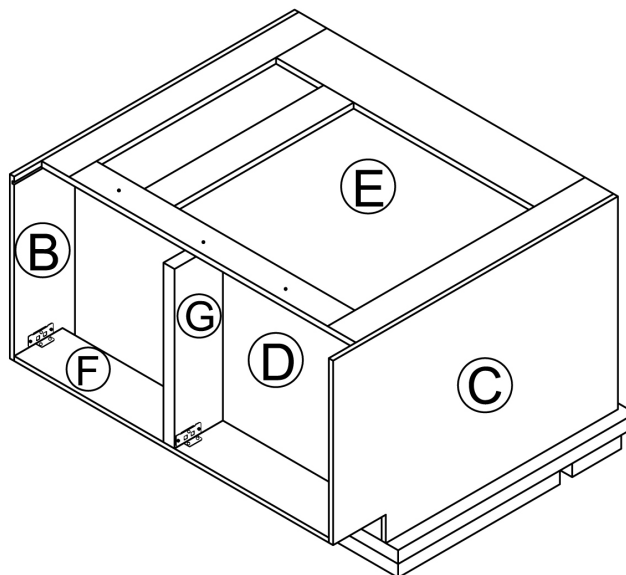
Step 6

Use the long screws (i), to attach the back panel to the edges of the bottom panels. Using the pre-drilled holes provided. Secure the toe kick (F) into the bottom of the cabinet ,two small screws (g) in each of the two clips.



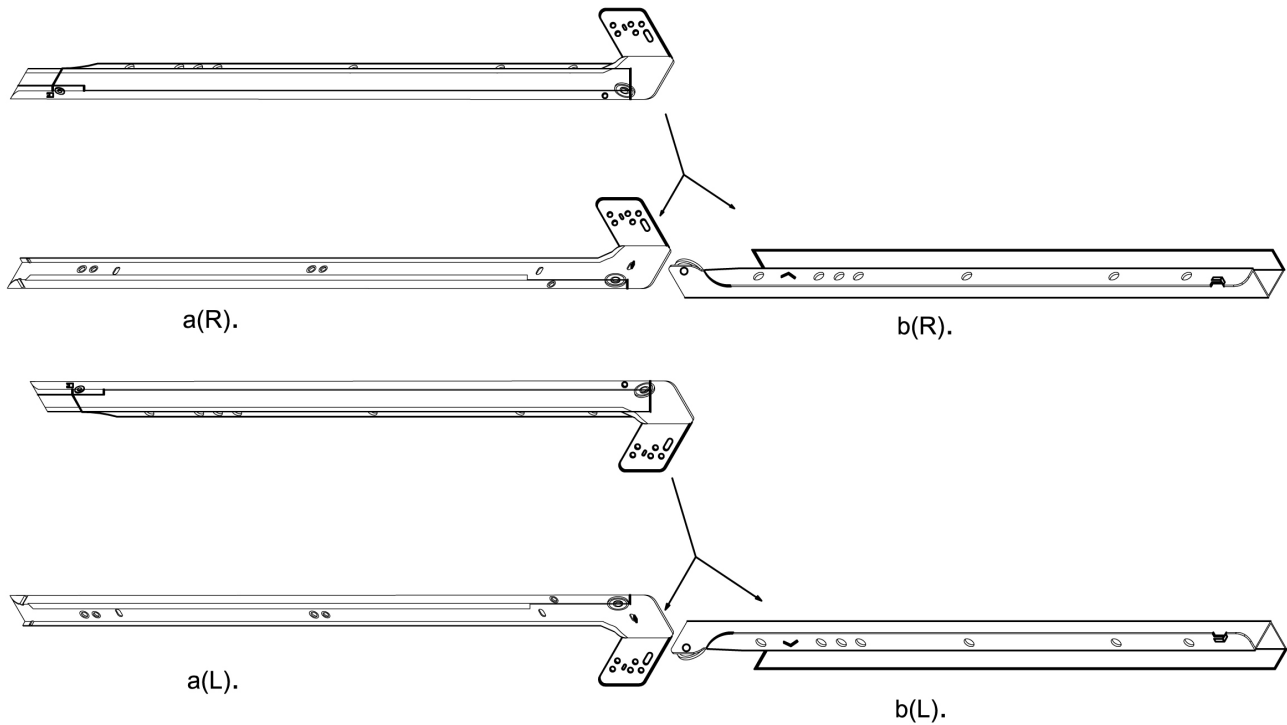
Step 7

Secure the support panel (G) under the bottom panel using a male clips and two screws.



Step 8

Take the drawer glides from the carton and separate the exterior and interior glides into left & right sets.

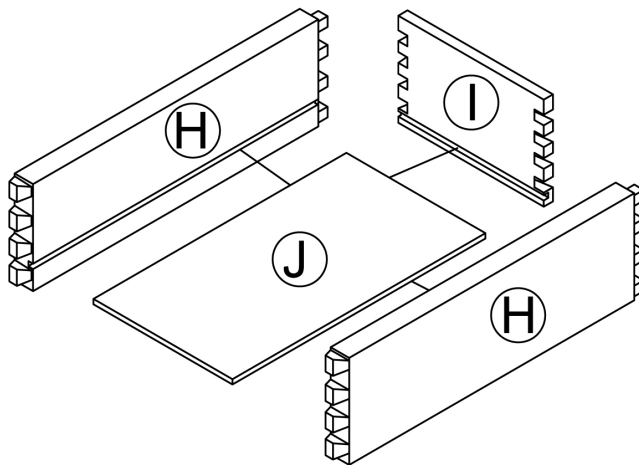


Step 9

Align the dovetails of one of the drawer side panels (H) with the teeth on the drawer back panel (I) and gently seat the drawer side panel into the drawer back panel. This can be done by gently tapping the side with a rubber mallet.

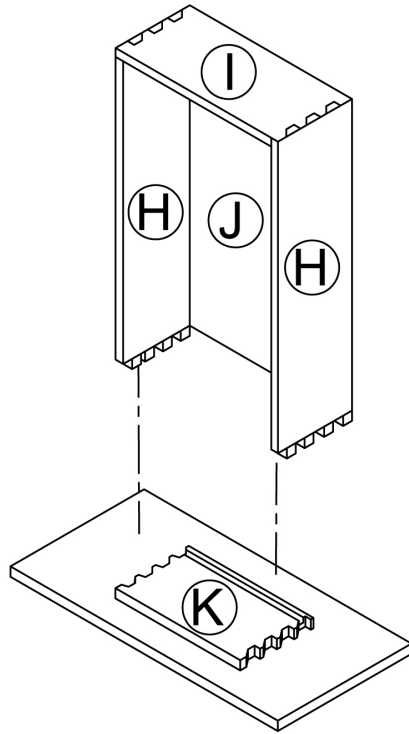
Repeat this procedure for the second drawer side panel.

Slide the drawer bottom into the grooves on the sides and drawer back panel until it is fully seated.



Step 10

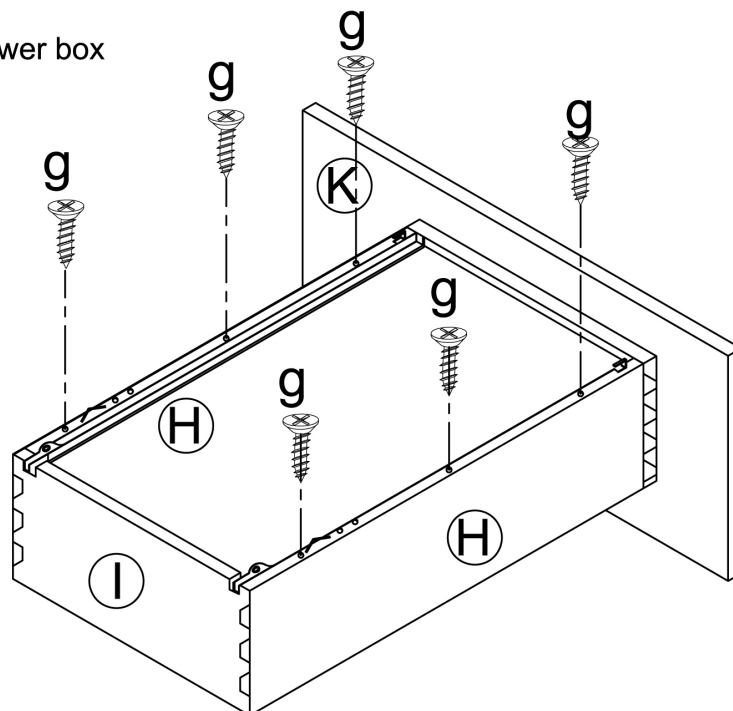
Attach the drawer fronts (K) to the drawer box by aligning the dovetails of drawer panels with the teeth on the front drawer panel (K) and gently seat as below.



Step 11

Attach the bottom drawer glides using three small flat head screws (h) on each side.

Turn over the whole drawer box

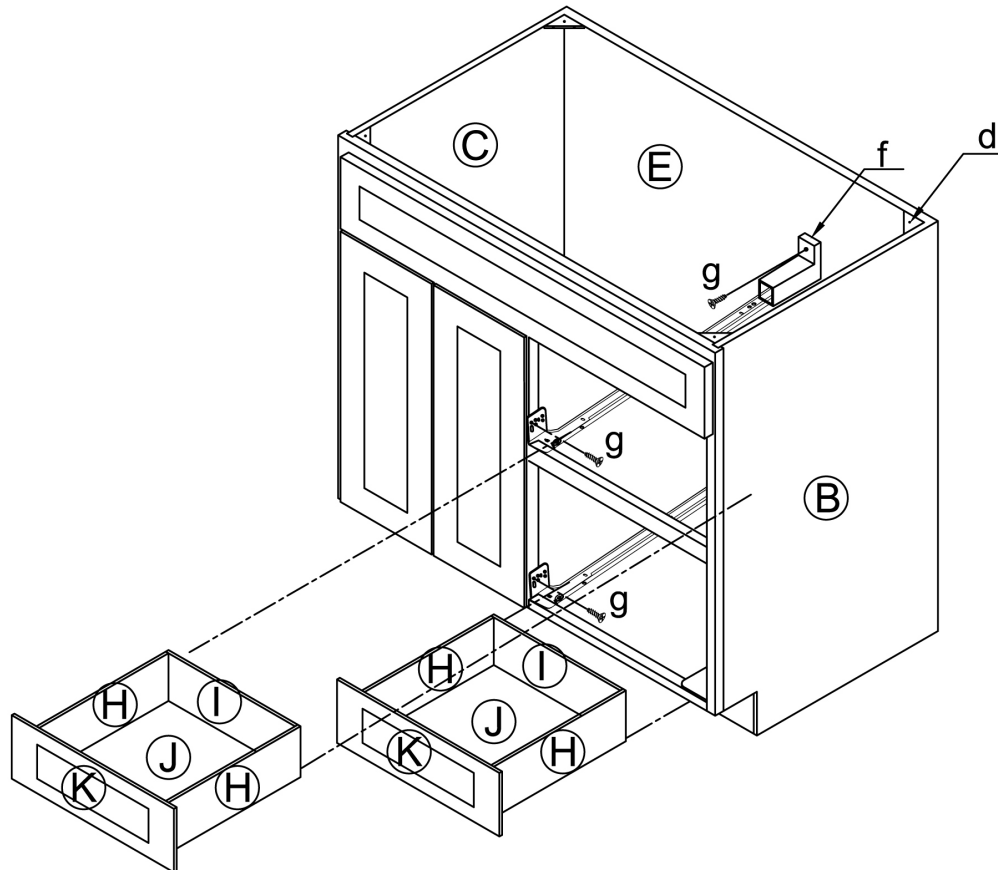


Step 12

Install the drawers into the cabinet by aligning the interior glides with the exterior glides in the cabinet.

Using one small screw (g) attached the glide brackets to the interior sets of pre-drilled holes on the back panel.

Optional holes: exterior two sets (a) are optional for soft-closing drawer glide.

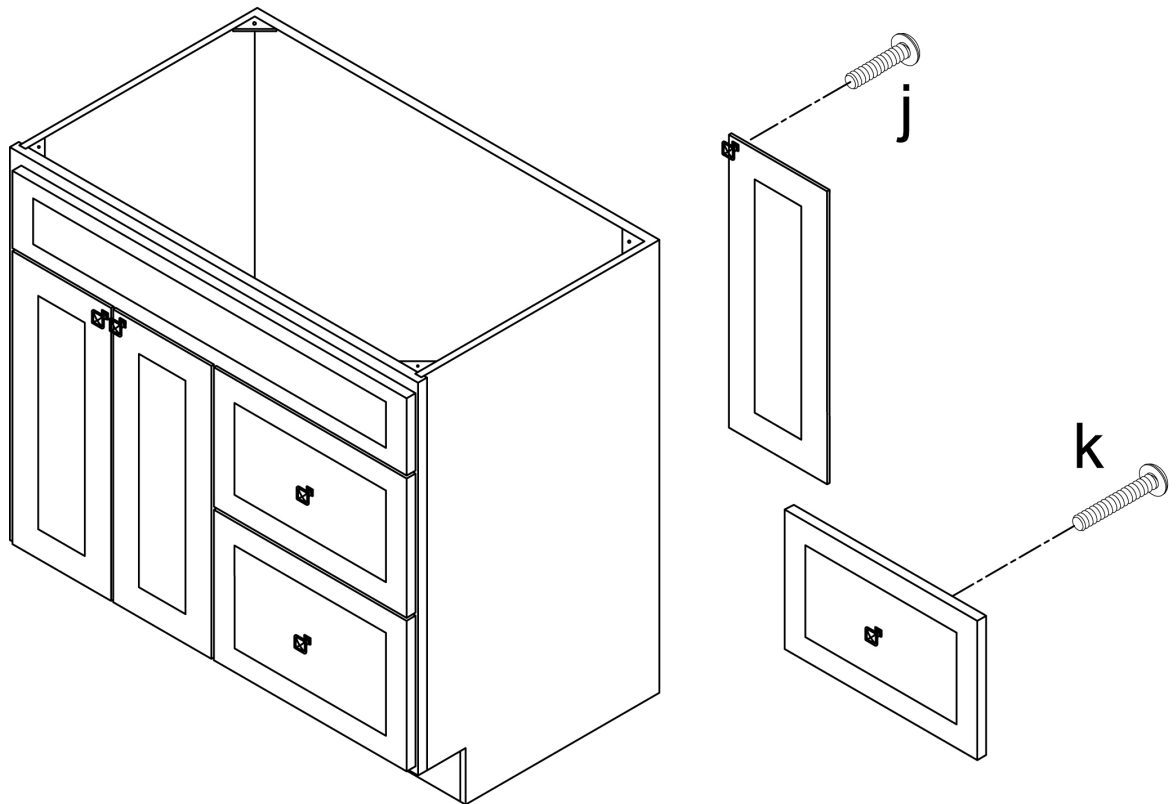


Step 13

Using two small flat head screws (g) to attach both the left and right exterior drawer glides (a) to the interior edge of the face frame left & right for each drawer.

Step 14

Install knobs (c). Pilot holes are provided on the back of the doors. If this is your desired location, use a drill to complete drilling the holes through the door, then install the knobs (c) with screws (k) provided.



Step 15

Use two middle size screws (h) to attach 4 wooden triangle blocks (d) in all four corners of the top of the cabinet.

