



Spun Glass®

17-1/2" round vessel bathroom sink, no overflow
K-2276

Features

- Beautifully translucent glass round basin
- No faucet holes; requires wall- or counter-mount faucet
- Without overflow

Material

- Glass

Installation

- Above-counter or drop-in



ADA

OBC

Codes/Standards

CSA B45.11/IAPMO Z401

CSA B45.5/IAPMO Z124

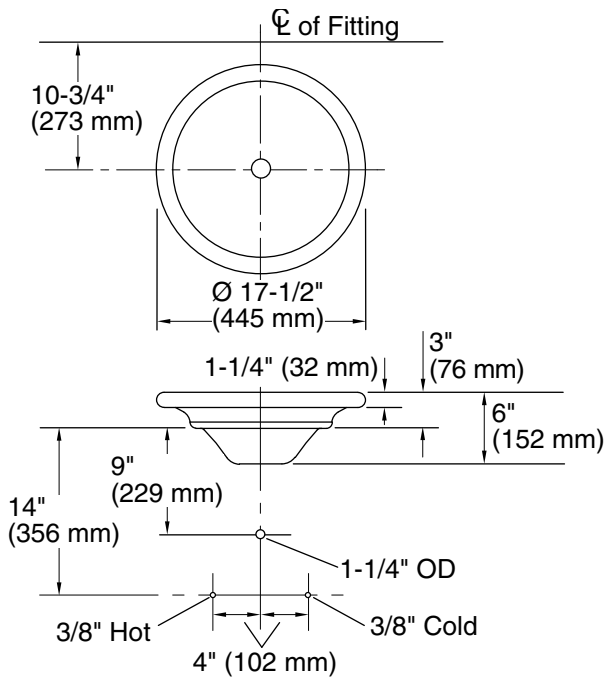
ADA

ICC/ANSI A117.1

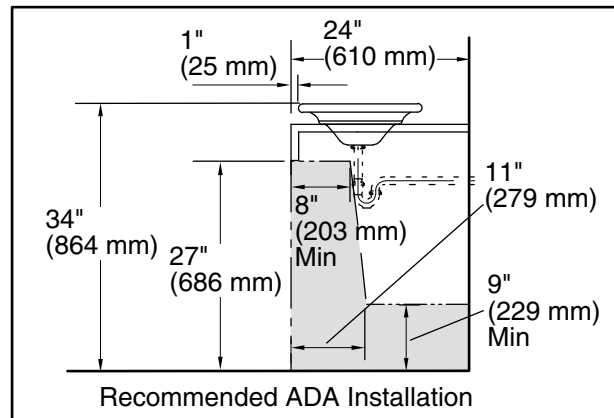
OBC

KOHLER® One-Year Limited Warranty

See website for detailed warranty information.



Standard Installation



Recommended ADA Installation

Technical Information

All product dimensions are nominal.

Basin configuration:	Single Bowl
Bowl area (Only):	Length: $15\text{-}1/4\text{"}$ (388 mm) Width: $15\text{-}1/4\text{"}$ (388 mm) Bowl depth: $5\text{-}1/2\text{"}$ (140 mm) Water depth: $5\text{-}1/2\text{"}$ (140 mm)
With overflow:	No
Template:	115888-7, required, included

Notes

Install this product according to the installation instructions.

Spout must be 5" (127 mm) long (min) for adequate clearance into lavatory when installed with centerline as shown.

Diagram is based on the K-9018 P-trap with a 1" (25 mm) tailpiece exposed.

ADA, OBC compliant when installed to the specific requirements of these regulations.