



HANDSHOWER, HOSE, AND CRADLE FOR EXPOSED TUB FILLERS

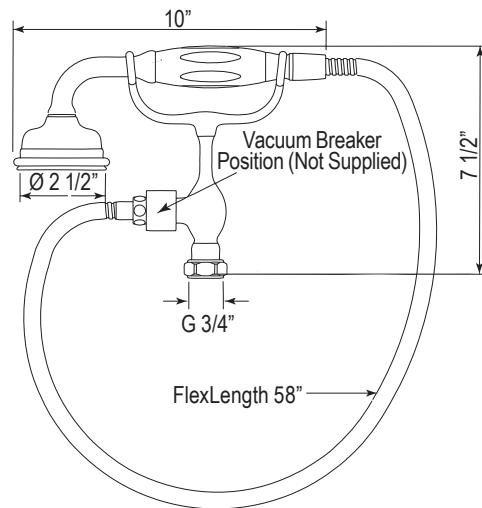
U.5380 (Porcelain Handshower)

U.5380LS (Metal Handshower)



FEATURES

- For use with floor, wall or deck mount bathtub filler/shower
- Can be wall mounted using U.5591 wall outlet
- Vacuum breaker not included, order V00275 if required.
- Hose replacement part # 9.28385
- Flow rate 1.8 GPM



For warranty or additional information, contact:

US customers

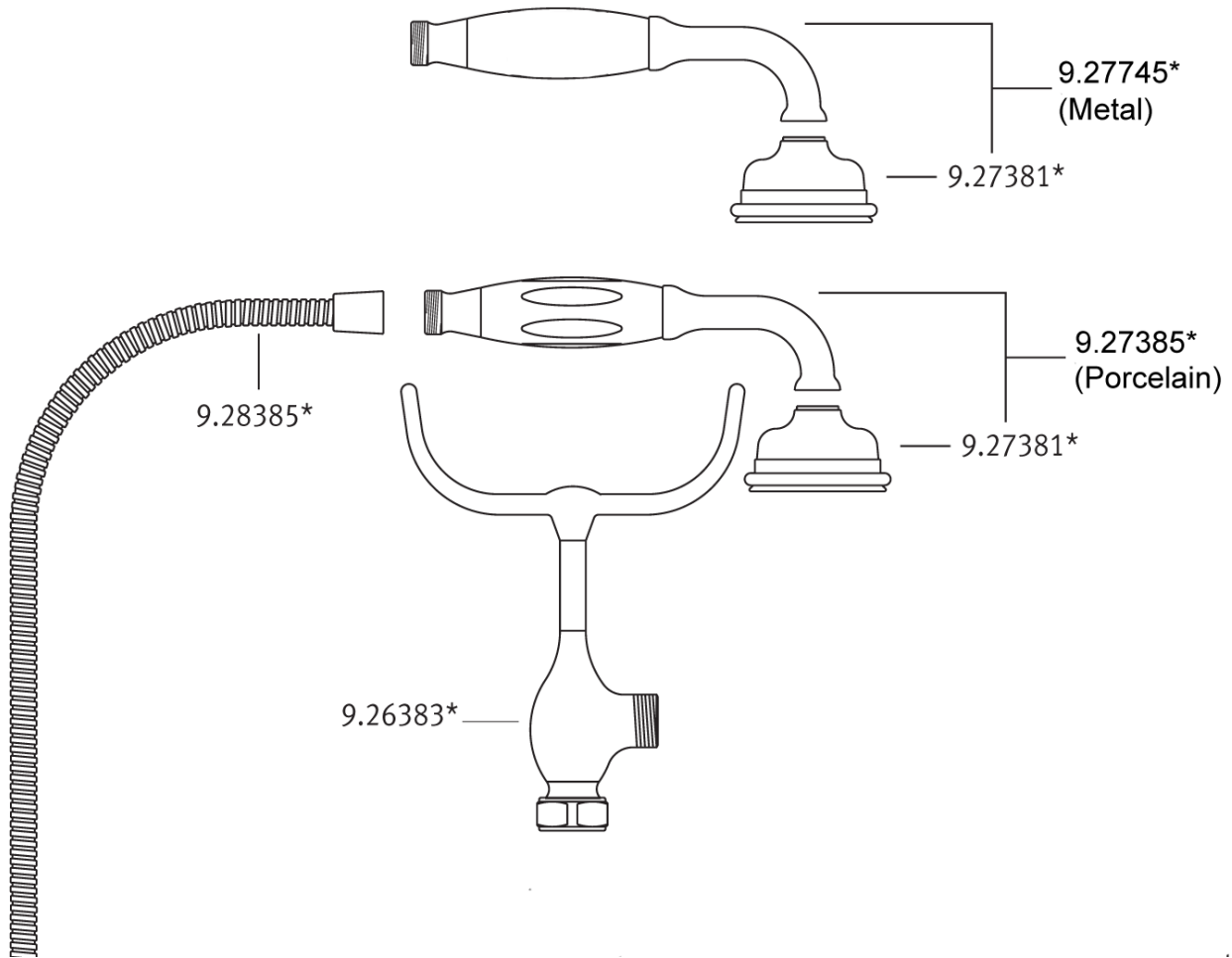
U.S.A.
HOUSEFROHL.COM
1-800-777-9762

Canadian customers

QUEBEC / MARITIMES / WESTERN CANADA
QUÉBEC / MARITIMES / OUEST CANADIEN
QUEBEC / MARITIMOS / CANADA OCCIDENTAL
HOUSEFROHL.CA
1-866-473-8442

ONTARIO
HOUSEFROHL.CA
1-800-287-5354

INSTALLATION INSTRUCTIONS



For warranty or additional information, contact:

US customers

U.S.A.
HOUSEFROHL.COM
1-800-777-9762

Canadian customers

QUEBEC / MARITIMES / WESTERN CANADA
QUÉBEC / MARITIMOS / OUEST CANADIEN
QUEBEC / MARITIMOS / CANADA OCCIDENTAL
HOUSEFROHL.CA
1-866-473-8442

ONTARIO
HOUSEFROHL.CA
1-800-287-5354