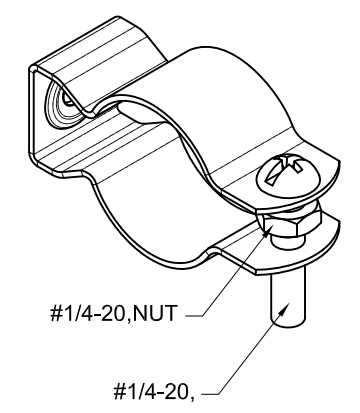
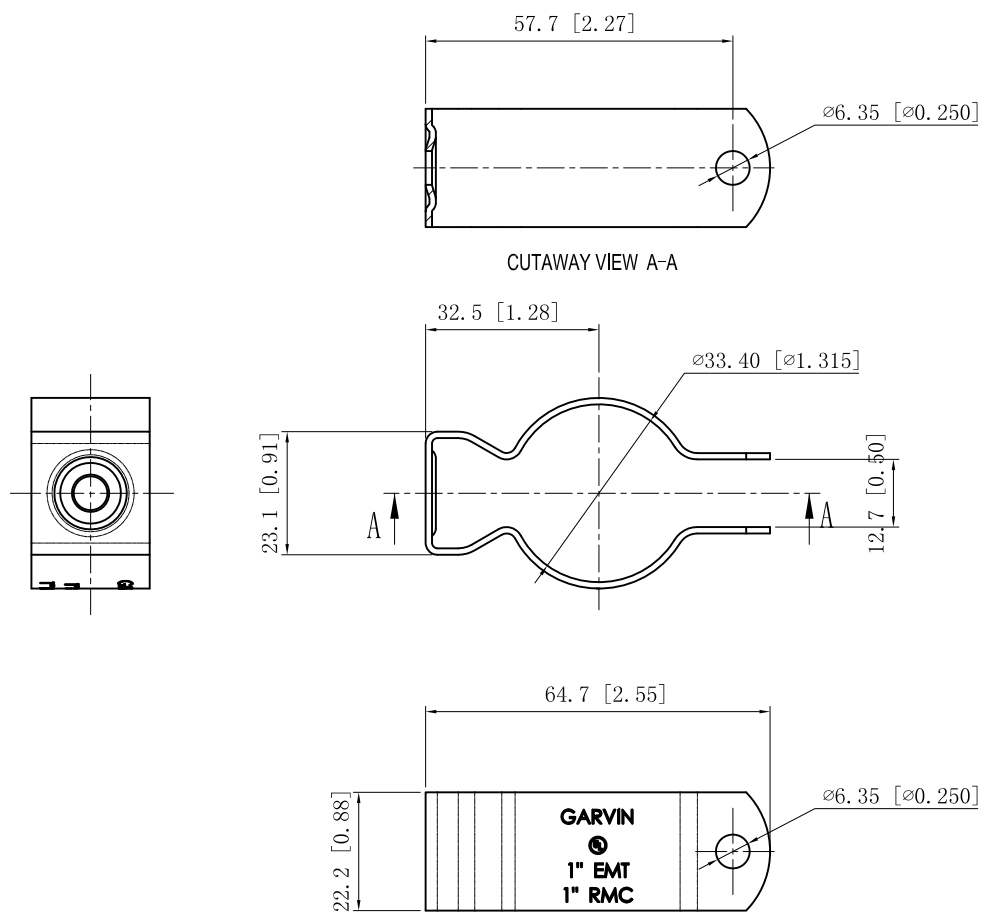


SIDES	BOTTOM
1 PCS #1/4-20×1 1/4 Screws Installed	
1 PCS #1/4-20 Hex Nut Installed	
Material:0.047"-Stainless steel 316	



This data sheet is for reference only .GARVIN INDUSTRIES reserves the right to make changes to the design without prior notice.

DESCRIPTION
TRADE REFERENCE TERMS

STANDARD PACKING	GARVIN INDUSTRIES		
25 PCS	TITLE CONDUIT HANGERS		
	SIZE A4	DWG NO. CHSS-100	REV A
DATA SHEET			
www.garvinindustries.com			