

**Metropol Classic**  
**Widespread Faucet 110 with Lever Handles and Pop-Up Drain, 1.2 GPM**  
 Finishes : **chrome**      Part no. : **31330001**



**Description**

**Features**

- Aerated spray
- Flow: 1.2 GPM (4.5 L/Min)
- 90° ceramic valves
- Includes pop-up drain

**Item details**

List Price \$ 657.00

**Technology**



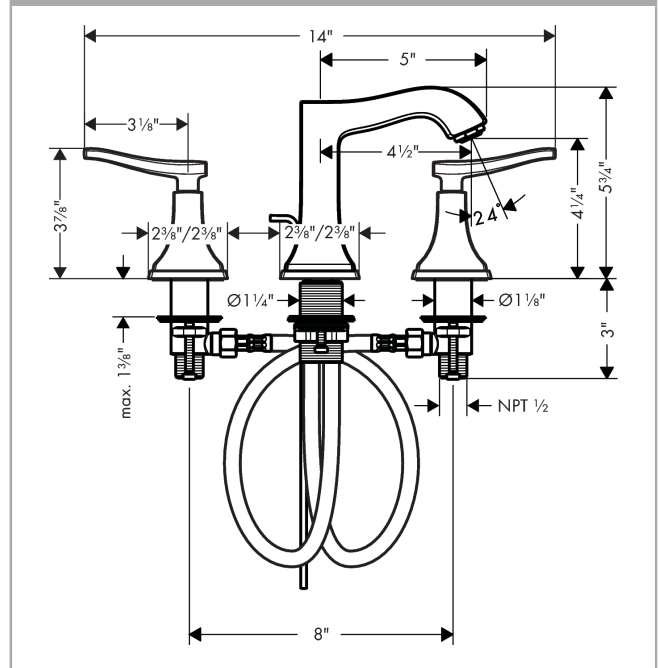
**Compliance**



**Product image**



**Scale drawing**

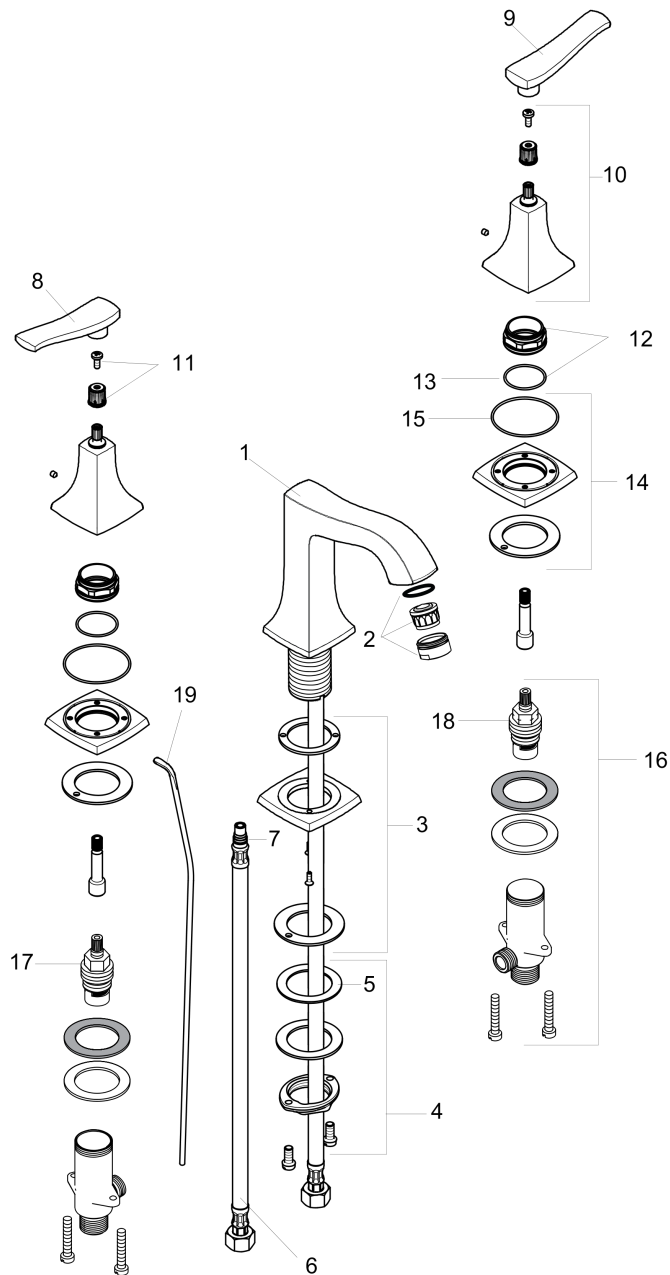


**Metropol Classic**  
**Widespread Faucet 110 with Lever Handles and Pop-Up Drain, 1.2 GPM**  
 Finishes : **chrome** Part no. : **31330001**



Exploded drawing

Year of production: >01/19



## Metropol Classic

Widespread Faucet 110 with Lever Handles and Pop-Up Drain, 1.2 GPM

Finishes : **chrome** Part no. : **31330001**



### Spare parts list

Year of production: >01/19

| Pos. | Description                       | Part no. | Price | PU |
|------|-----------------------------------|----------|-------|----|
| 1    | spout cpl.                        | 95394000 | -     | 1  |
| 2    | aerator M24x1 (4,5 l/min)         | 92877000 | -     | 1  |
| 3    | escutcheon for spout              | 92814000 | -     | 1  |
| 4    | fixing set (Ø 32)                 | 13961000 | -     | 1  |
| 5    | lever collar                      | 97548000 | -     | 1  |
| 6    | connection hose 18½" M8x0,75 3/8" | 96321001 | -     | 1  |
| 8    | handle for hot water              | 92821000 | -     | 1  |
| 9    | handle for cold water             | 92822000 | -     | 1  |
| 10   | escutcheon for handle             | 92824000 | -     | 1  |
| 11   | handle fixing set                 | 98932000 | -     | 1  |
| 12   | nut                               | 92825000 | -     | 1  |
| 13   | O-ring 29x1,5                     | 92738000 | -     | 1  |
| 14   | escutcheon                        | 92823000 | -     | 1  |
| 15   | O-ring 48x1,5                     | 92159000 | -     | 1  |
| 16   | stop valve cpl.                   | 97357001 | -     | 1  |
| 17   | shut off unit right closing       | 94009000 | -     | 1  |
| 18   | shut off unit left closing        | 94008000 | -     | 1  |
| 19   | pull rod                          | 96657000 | -     | 1  |
| a    | pop up waste                      | 88509000 | -     | 1  |