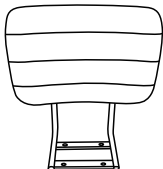
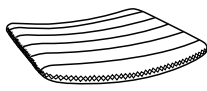
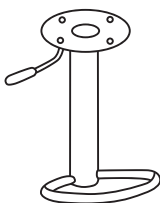
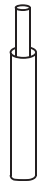
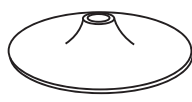



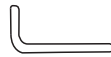


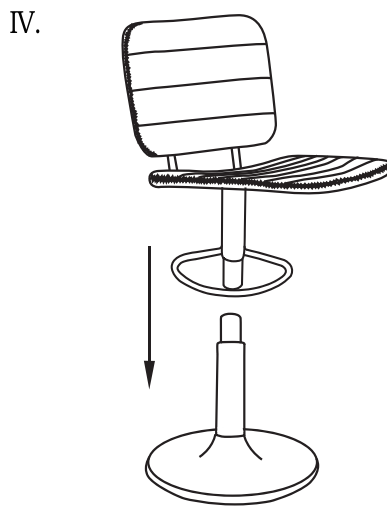
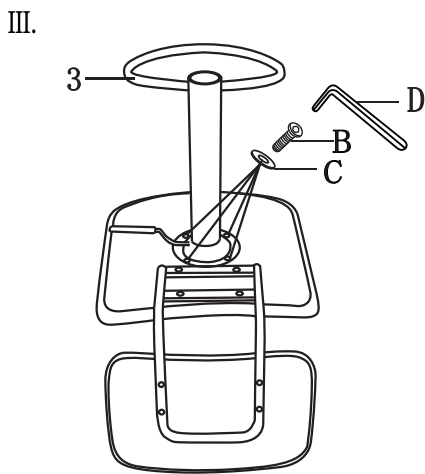
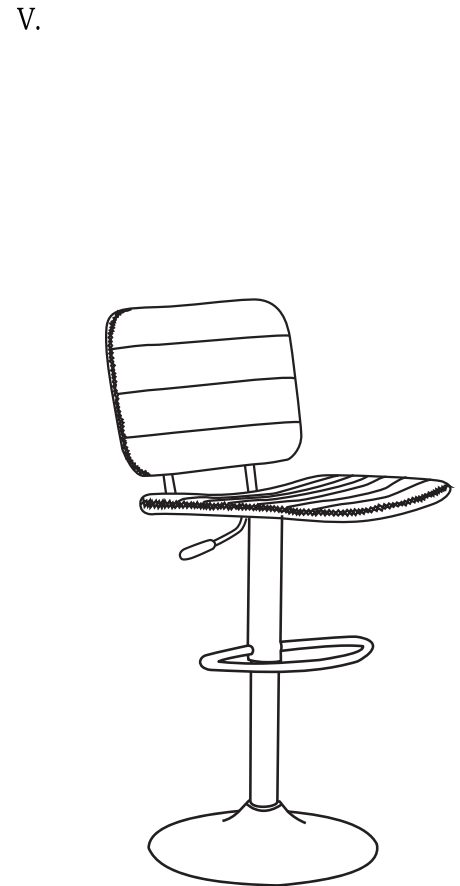
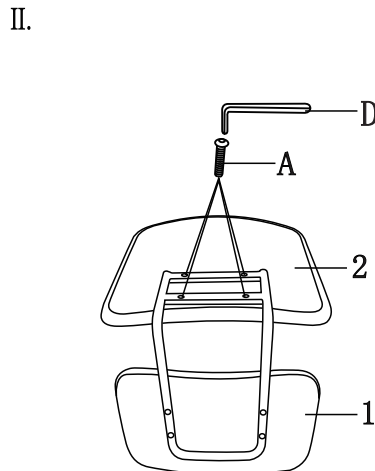
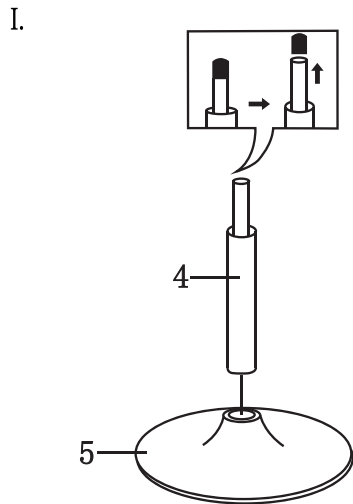
**ITEM NAME / NOM D'ITEM: HOLDEN BAR CHAIR**

**ITEM #/NO. ITEM: 109040/109041**

**PART LIST / LISTE DES PIÈCES**

(1)	(2)	(3)	(4)	(5)	(6)
					<p>A.  M6x25mm x4</p> <p>B.  M6x18mm x4</p> <p>C.  <math>\varnothing</math>6mm x4</p> <p>D.  6mm x1</p>
x1	x1	x1	x1	x1	

**ASSEMBLY INSTRUCTIONS / INSTRUCTIONS D'ASSEMBLAGE**



For missing parts or damaged parts, please call

USA : 1-866-798-6663

Canada : 514-382-6661