

Joleena

Widespread Faucet 100 with Pop-Up Drain, 1.2 GPM

Finishes : **chrome** Part no. : **04774000**



Description

Features

- Aerated spray
- Flow: 1.2 GPM (4.5 L/Min)
- 90° ceramic valves
- Includes pop-up drain

Item details

List Price \$ 396.00

Technology



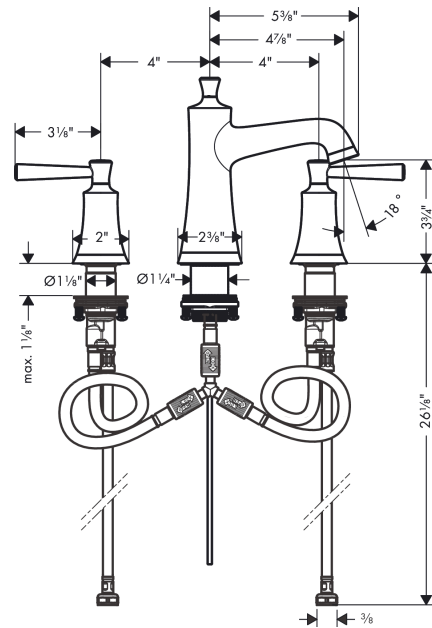
Compliance



Product image



Scale drawing

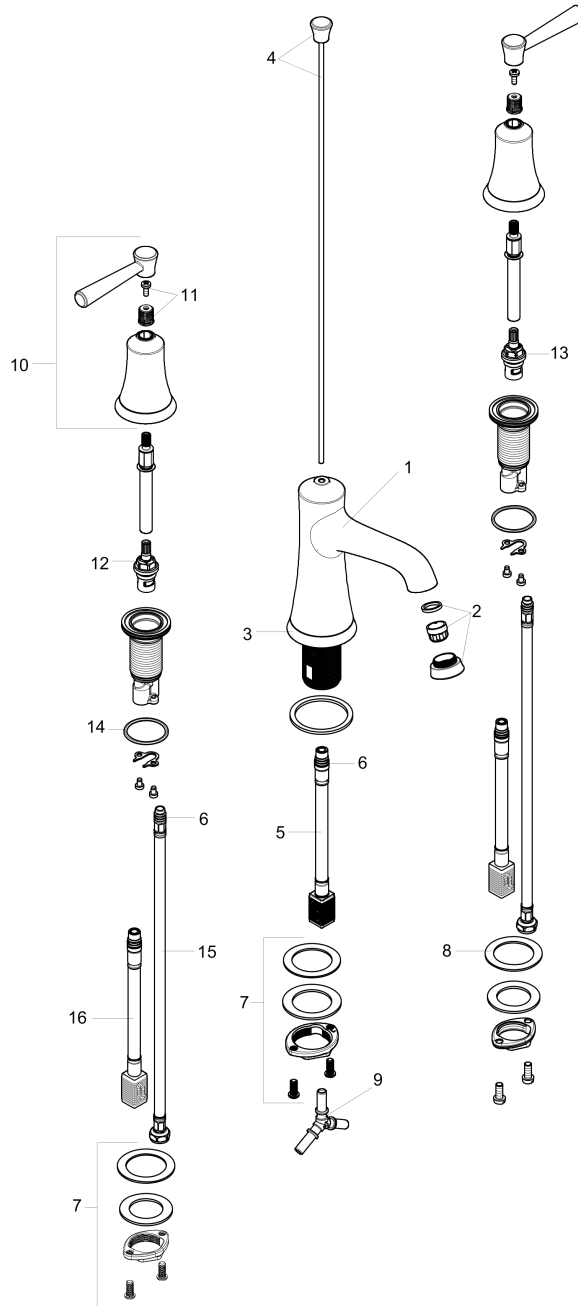


Joleena
Widespread Faucet 100 with Pop-Up Drain, 1.2 GPM
 Finishes : **chrome** Part no. : **04774000**



Exploded drawing

Year of production: >01/20



Joleena

Widespread Faucet 100 with Pop-Up Drain, 1.2 GPM

Finishes : **chrome** Part no. : **04774000**



Spare parts list

Year of production: >01/20

| Pos. | Description | Part no. | Price | PU |
|------|-----------------------------------|----------|-------|----|
| 1 | spout cpl. | 93555000 | - | 1 |
| 2 | aerator M24x1 (4,5 l/min) | 93531001 | - | 1 |
| 3 | escutcheon | 93530000 | - | 1 |
| 4 | pop up rod | 93554000 | - | 1 |
| 5 | connection hose 200 mm M10x1 | 92913000 | - | 1 |
| 6 | O-ring 8x1,75 | 97827000 | - | 1 |
| 7 | fixing set (Ø 28) | 92909000 | - | 1 |
| 8 | lever collar | 97548000 | - | 1 |
| 9 | hose connection angel | 92905000 | - | 1 |
| 10 | handle | 93553000 | - | 1 |
| 11 | handle fixing set | 98932000 | - | 1 |
| 12 | shut off unit right closing | 98817001 | - | 1 |
| 13 | shut off unit left closing | 95366001 | - | 1 |
| 14 | O-ring 33x2,5 | 92907000 | - | 1 |
| 15 | connection hose 18½" M8x0,75 3/8" | 96321001 | - | 1 |
| 16 | connection hose 400 mm M10x1 | 92914000 | - | 1 |
| a | pop up waste | 88509000 | - | 1 |