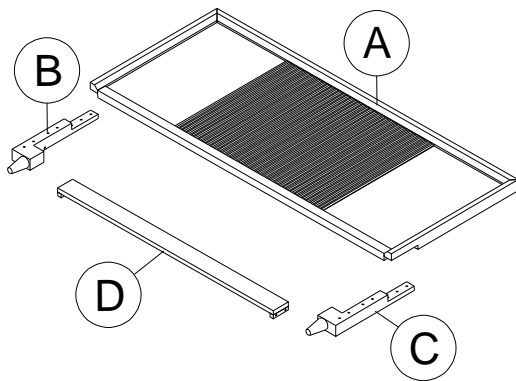


AVEDON QUEEN PANEL BED ASSEMBLY INSTRUCTIONS



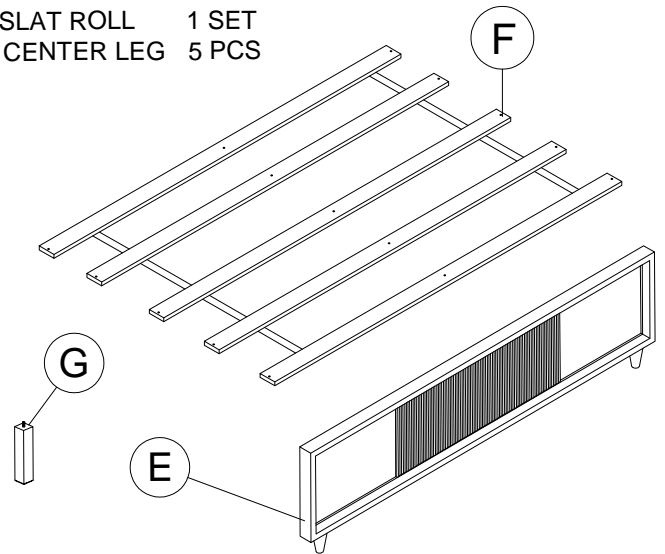
BOX #1:

- A. HEADBOARD PANEL 1 PC
- B. LEFT LEG 1 PC
- C. RIGHT LEG 1 PC
- D. STRETCHER 1 PC



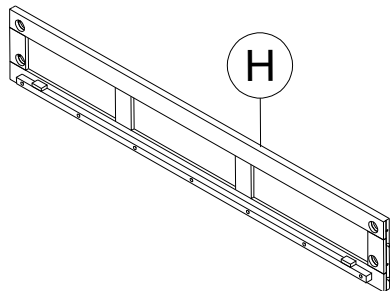
BOX #2:

- E. FOOTBOARD 1 PC
- F. SLAT ROLL 1 SET
- G. CENTER LEG 5 PCS



BOX #3:

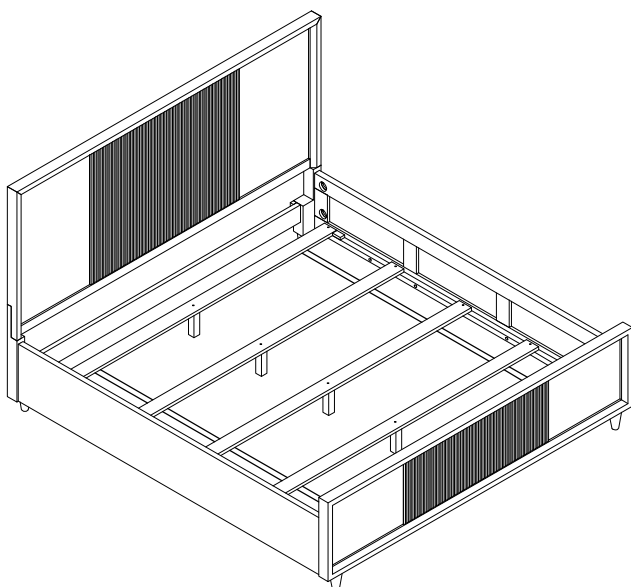
- H. SIDE RAIL 2 PCS



HARDWARE KIT PACKED IN BOX #1

No.	Description	Image	Quantity
1	ALLEN BOLT (8x50mm)		10 PCS
2	SPRING WASHER (9x13mm)		10 PCS
3	FLAT WASHER (9x19mm)		10 PCS
4	ALLEN KEY		1 PC

FULLY ASSEMBLED



HARDWARE KIT PACKED IN BOX #2

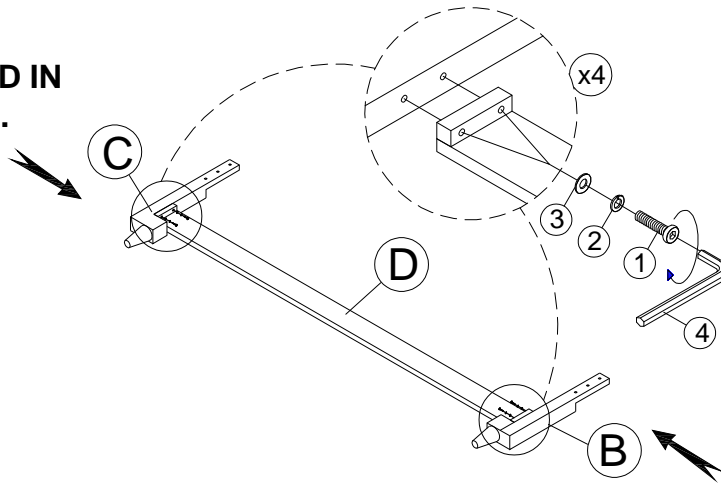
No.	Description	Image	Quantity
1	THREADED BOLT (8x70mm)		8 PCS
2	SPRING WASHER (9x13mm)		8 PCS
3	HALF MOON WASHER (9x28mm)		8 PCS
4	HEX NUT (8x13mm)		8 PCS
5	WRENCH (K13)		1 PC
6	WOOD SCREWS (4x30mm)		10 PCS



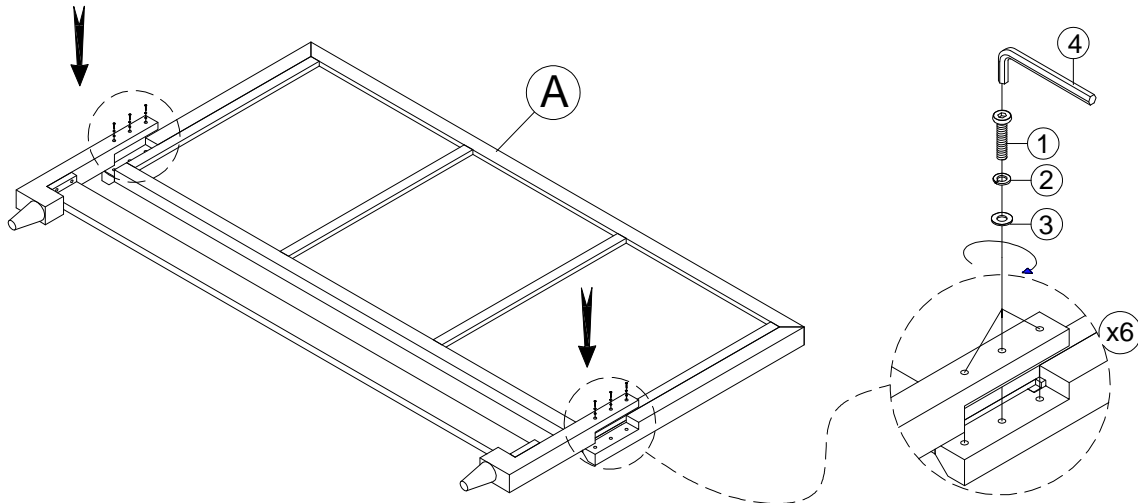
AVEDON QUEEN PANEL BED ASSEMBLY INSTRUCTIONS



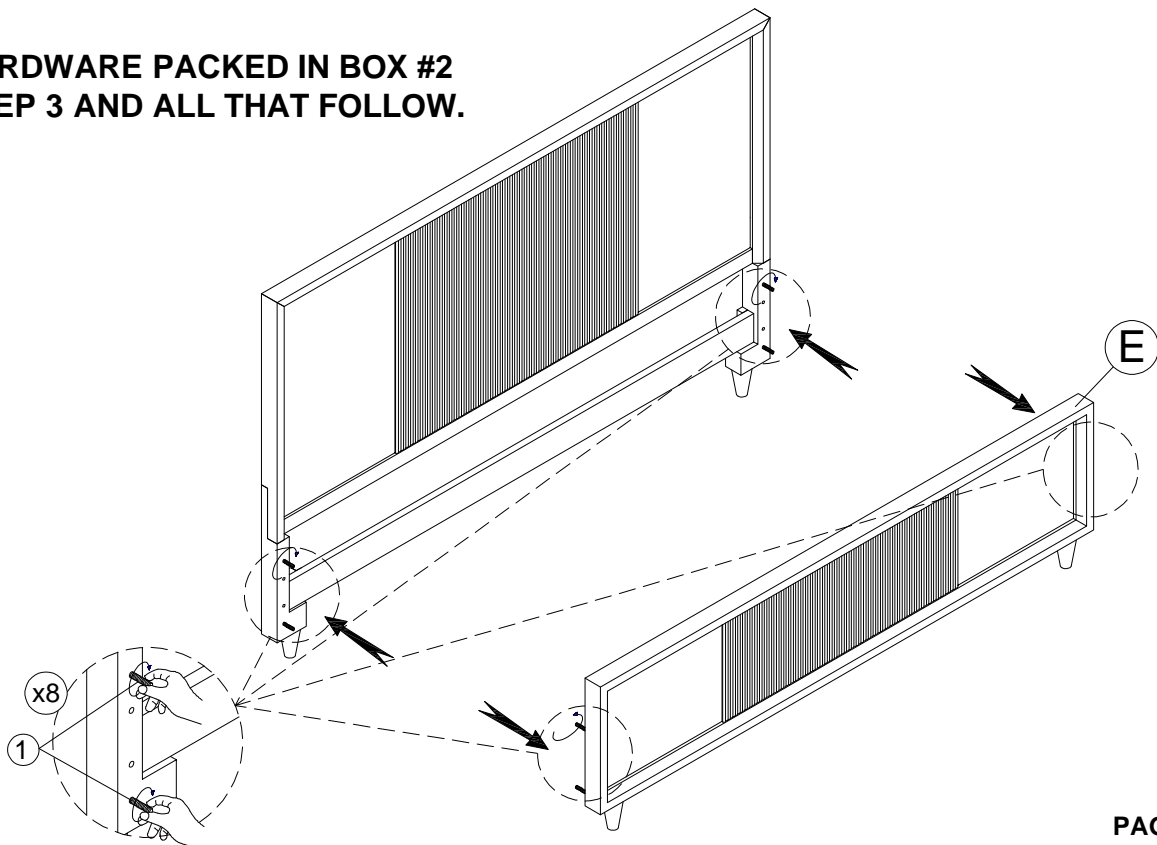
STEP 1:
USE HARDWARE PAKED IN
BOX #1 FOR STEPS 1 & 2.



STEP 2:

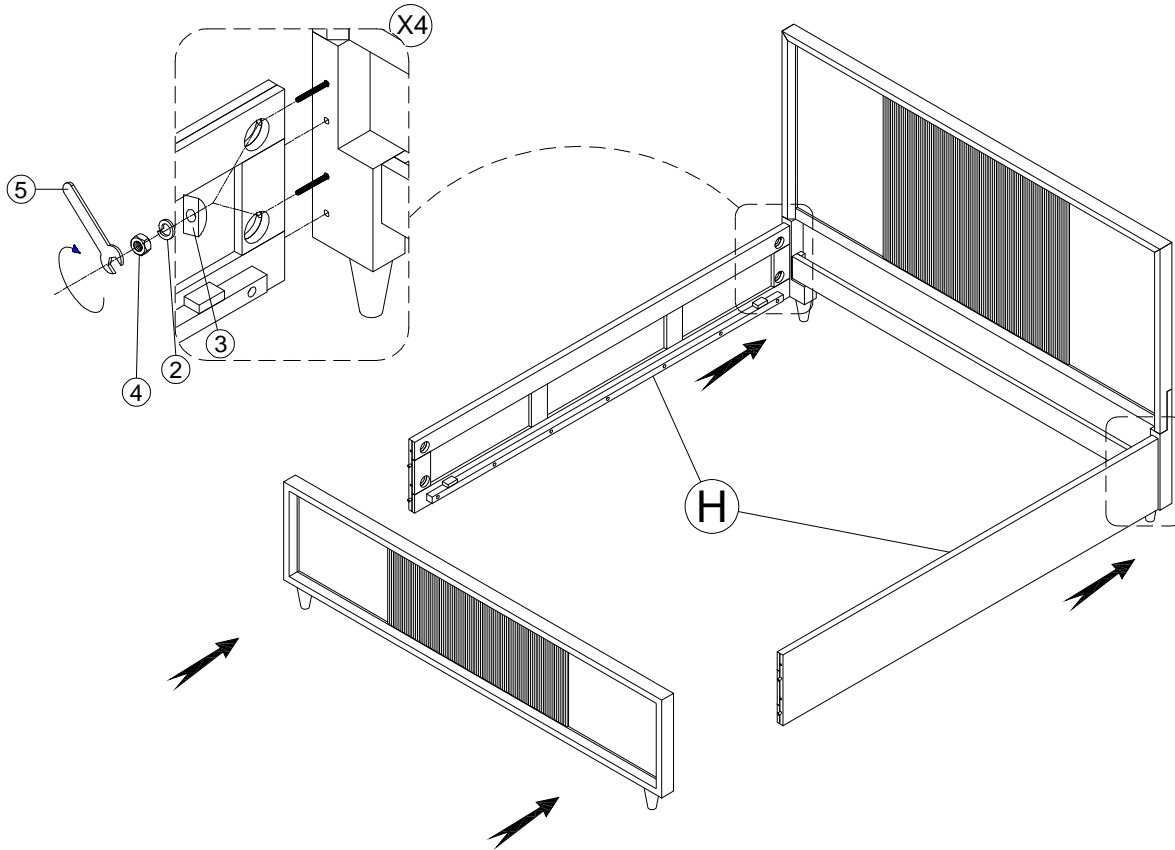


STEP 3:
USE HARDWARE PAKED IN BOX #2
FOR STEP 3 AND ALL THAT FOLLOW.

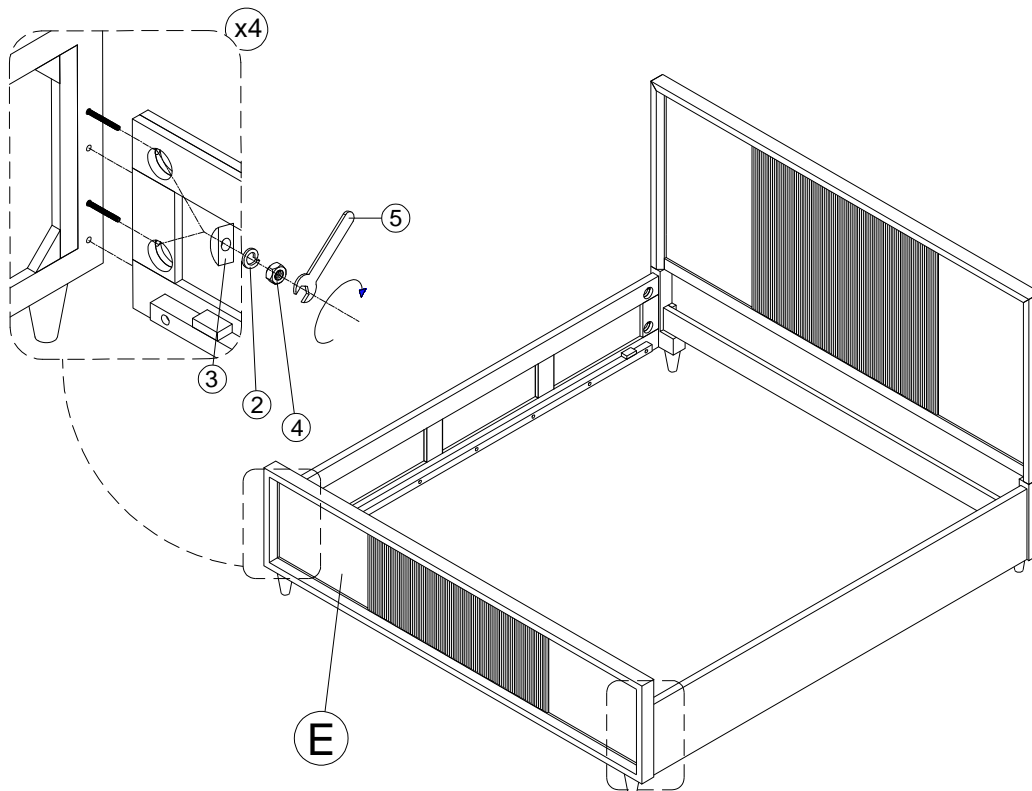


AVEDON QUEEN PANEL BED ASSEMBLY INSTRUCTIONS

STEP 4:



STEP 5:



AVEDON QUEEN PANEL BED ASSEMBLY INSTRUCTIONS

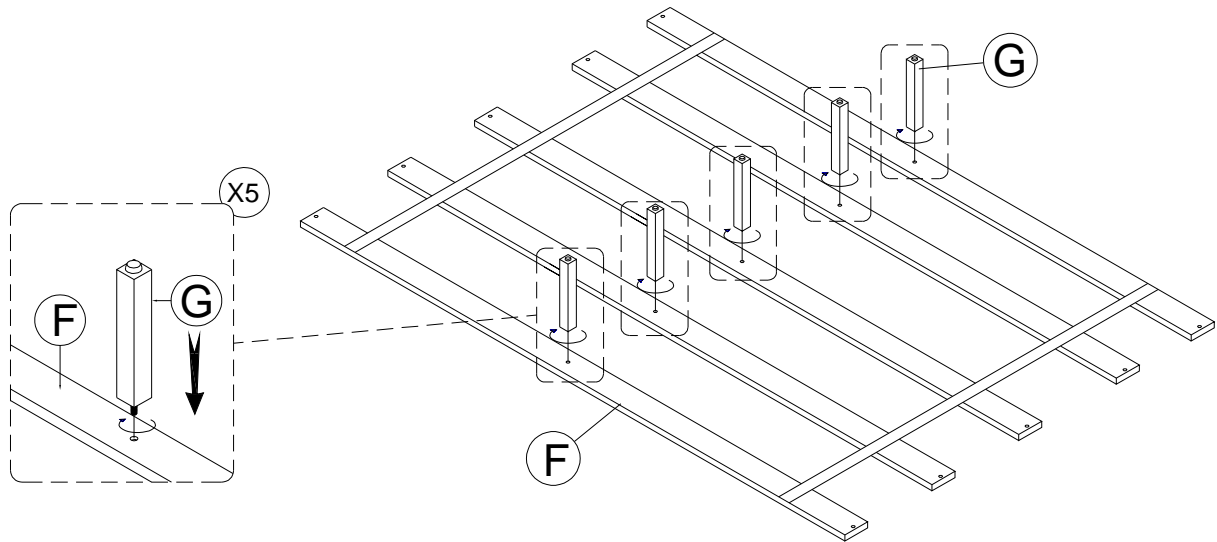


STOP

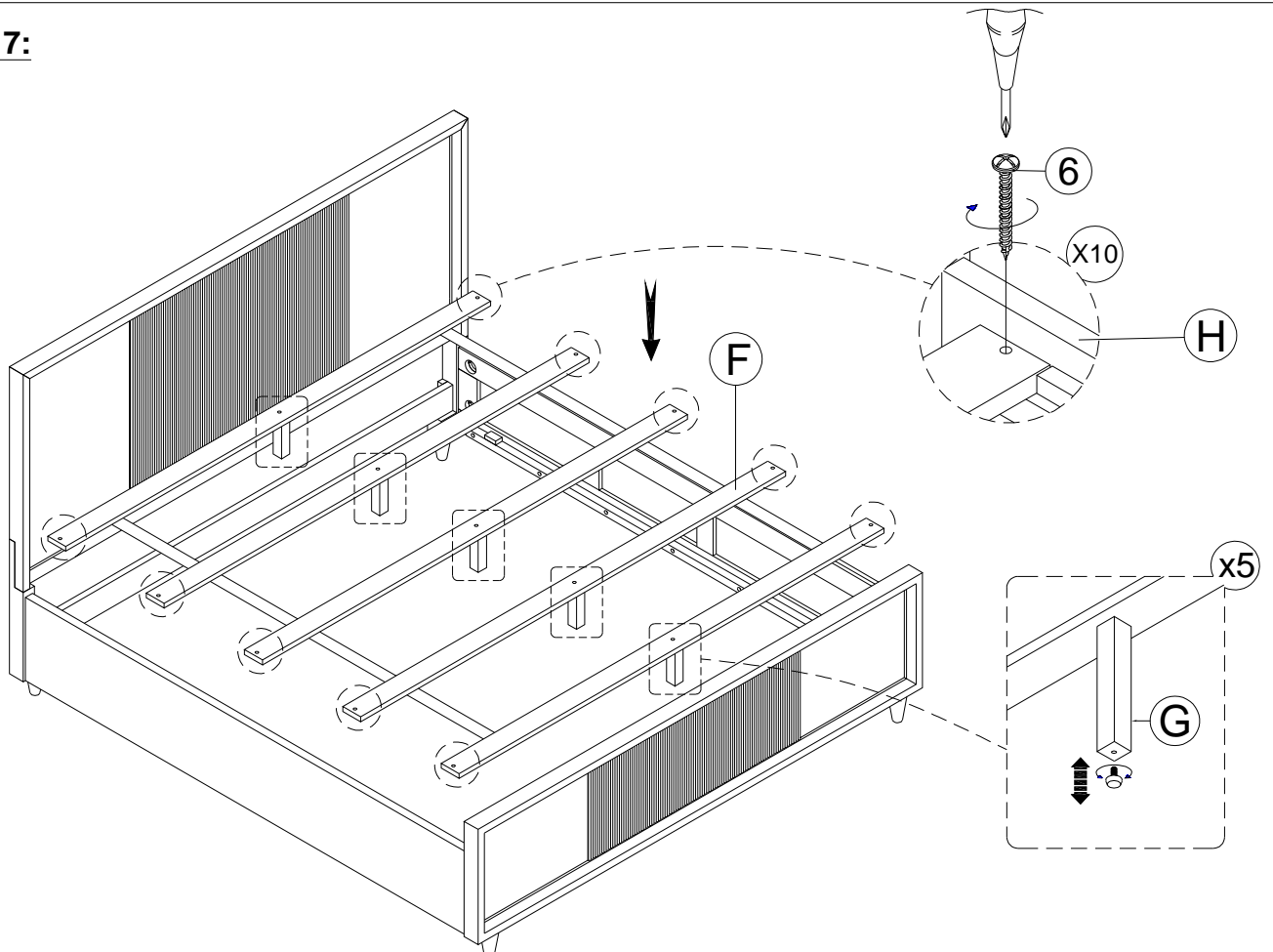
* IF USING BED FRAME WITH ADJUSTABLE MATTRESS BASE, SKIP TO APPENDIX A: ADJUSTABLE MATTRESS BASE ASSEMBLY SUPPLEMENT.

* IF USING BED FRAME WITH STANDARD BOX SPRING OR FOUNDATION CONTINUE TO STEP 6.

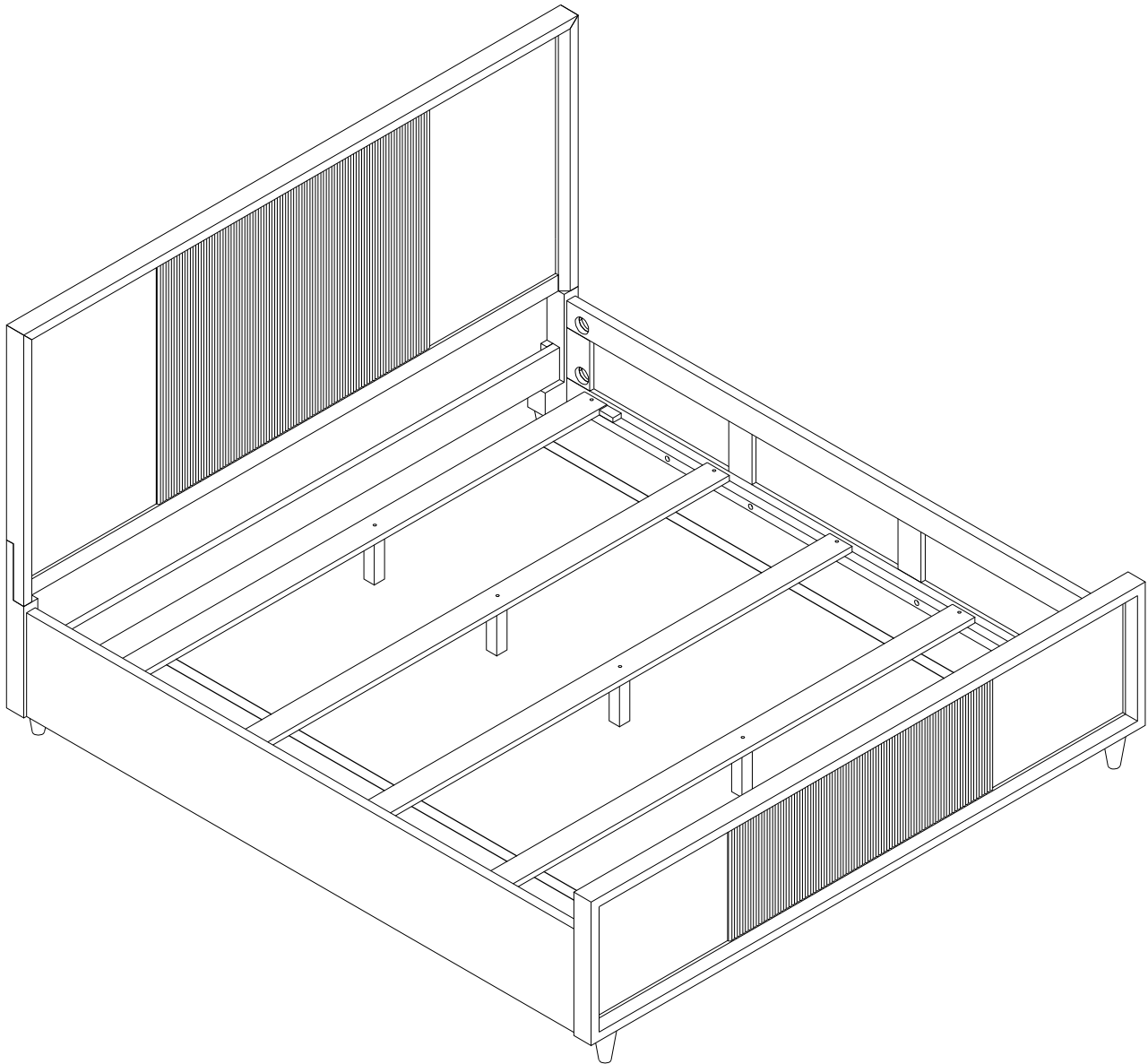
STEP 6:



STEP 7:



AVEDON QUEEN PANEL BED ASSEMBLY INSTRUCTIONS



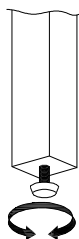
ASSEMBLY COMPLETE

INSTRUCTIONS FOR ADJUSTING LEVELER:

POSITION THE BED IN YOUR SPACE AND LOCATE THE LEVELER UNDER EACH SUPPORT LEG.

TURN THE LEVELER COUNTER-CLOCKWISE TO EXTEND THE LEVELER AND CLOCKWISE TO RETRACT IT.

ADJUST EACH LEVELER UNTIL EACH SUPPORT LEG IS APPLYING EQUAL, UPWARD PRESSURE ON THE BED SUPPORT SLAT



MAINTENANCE INSTRUCTIONS:

PERIODICALLY CHECK ALL FITTINGS AND TIGHTEN IF NECESSARY AS THEY CAN LOOSEN OVER TIME.

REMOVE BOX SPRING AND MATTRESS BEFORE MOVING YOUR BED.

LIFT YOUR BED WHEN MOVING IT. DRAGGING CAN DAMAGE THE LEG SUPPORT.

READJUST LEVELERS AFTER MOVING YOUR BED.

AVEDON QUEEN PANEL BED ASSEMBLY INSTRUCTIONS



APPENDIX A: ADJUSTABLE MATTRESS BASE ASSEMBLY SUPPLEMENT

AN ADJUSTABLE MATTRESS BASE IS A FREESTANDING MATTRESS SUPPORT THAT SITS WITHIN THE PERIMETER OF THE BED FRAME.

IF USING THE BED FRAME WITH A STANDARD BOX SPRING OR FOUNDATION THESE INSTRUCTIONS DO NOT APPLY.

PRE-ASSEMBLED SIDE RAIL CLEATS OBSTRUCT ADJUSTABLE BASE INSTALLATION AND OPERATION. FOLLOW THESE INSTRUCTIONS TO REMOVE THEM.

THE FOLLOWING PARTS ARE NOT REQUIRED FOR ADJUSTABLE MATTRESS BASE INSTALLATION:

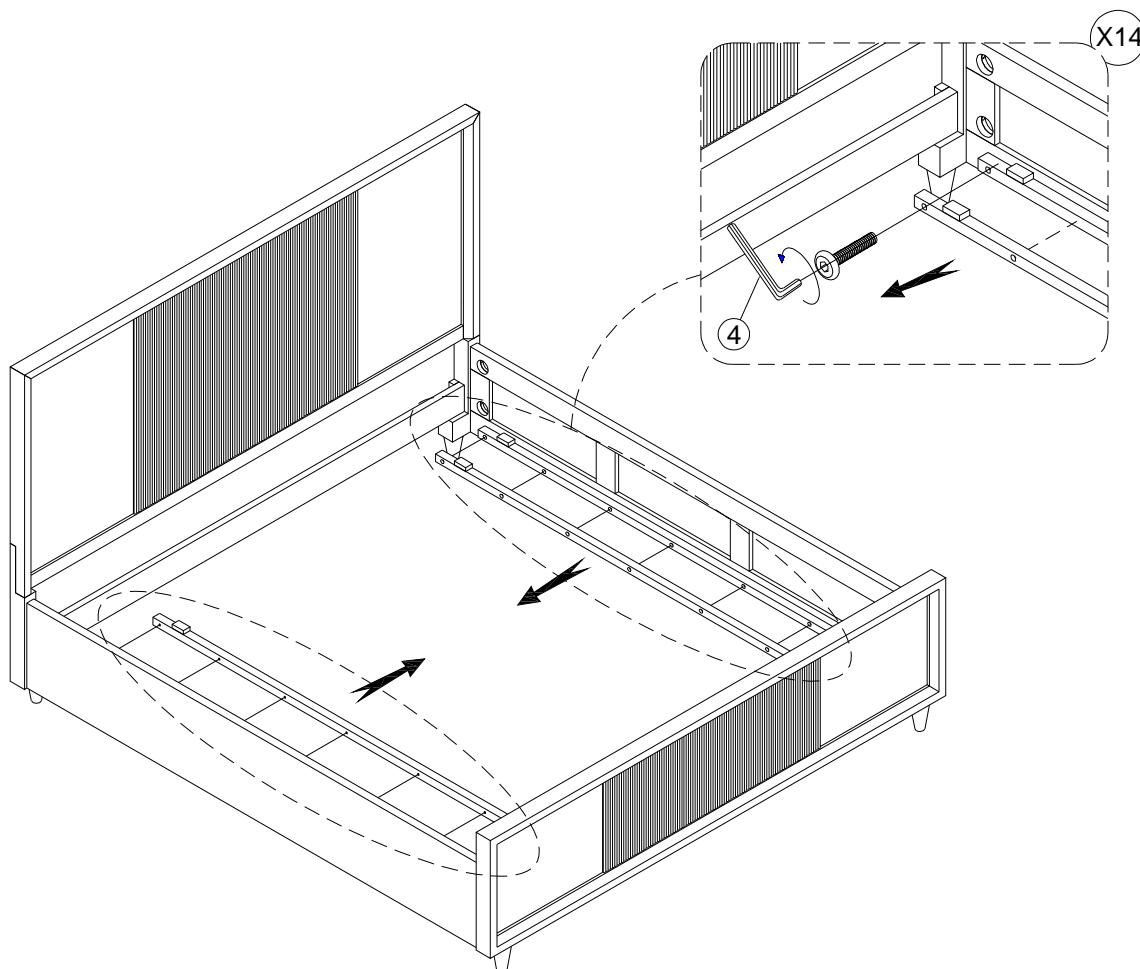
F. SLAT ROLL 1 SET

G. CENTER LEG 5 PCS

6. WOOD SCREW (4x30mm) 10 PCS

STEP 1:

USE ALLEN KEY (4) TO UNSCREW ALLEN BOLTS AND REMOVE PRE-ASSEMBLED SIDE RAIL CLEATS



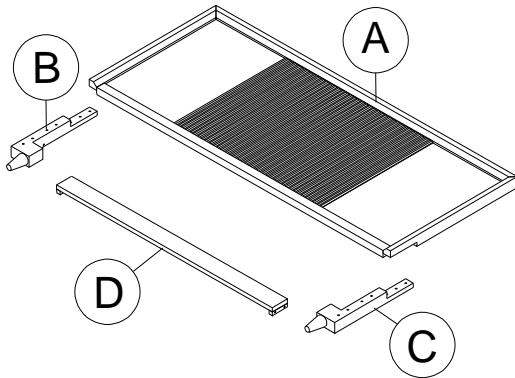
NOTE: YOU MAY WISH TO RETAIN UNUSED PARTS IF IN THE FUTURE YOU INTEND TO USE THE BED FRAME WITH A STANDARD BOX SPRING OR FOUNDATION.

AVEDON CAL KING PANEL BED ASSEMBLY INSTRUCTIONS



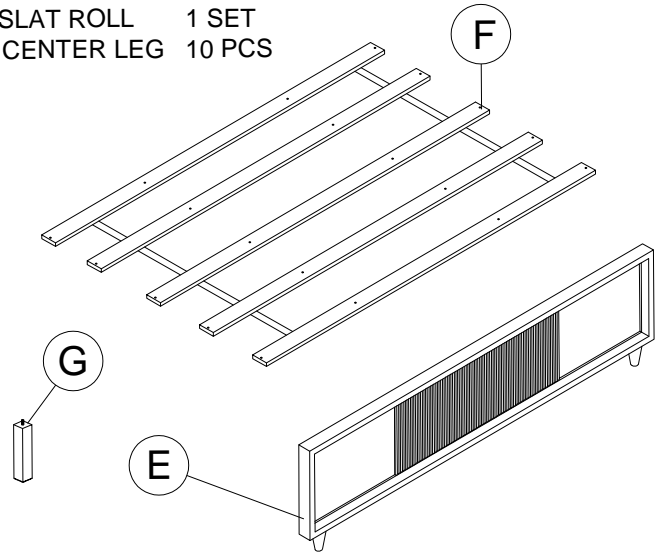
BOX #1:

- A. HEADBOARD PANEL 1 PC
- B. LEFT LEG 1 PC
- C. RIGHT LEG 1 PC
- D. STRETCHER 1 PC



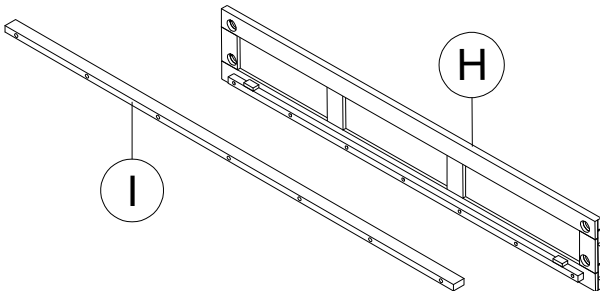
BOX #2:

- E. FOOTBOARD 1 PC
- F. SLAT ROLL 1 SET
- G. CENTER LEG 10 PCS



BOX #3:

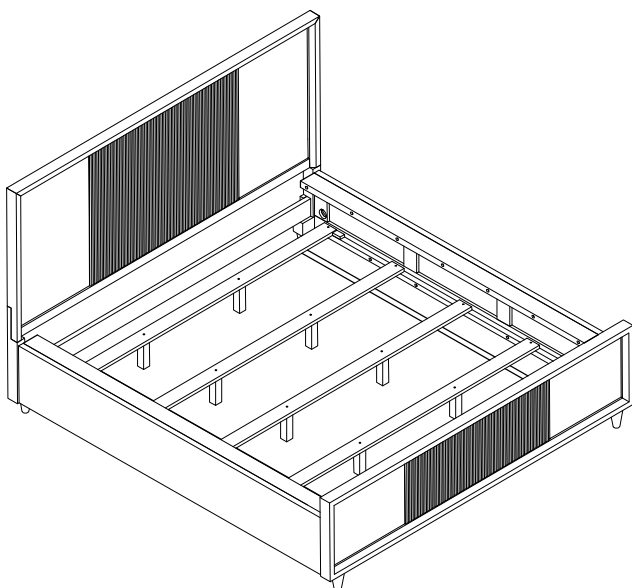
- H. SIDE RAIL 2 PCS
- I. MATTRESS SPACER 2 PCS



HARDWARE KIT PACKED IN BOX #1

No.	Description	Image	Quantity
1	ALLEN BOLT (8x50mm)		10 PCS
2	SPRING WASHER (9x13mm)		10 PCS
3	FLAT WASHER (9x19mm)		10 PCS
4	ALLEN KEY		1 PC

FULLY ASSEMBLED



HARDWARE KIT PACKED IN BOX #2

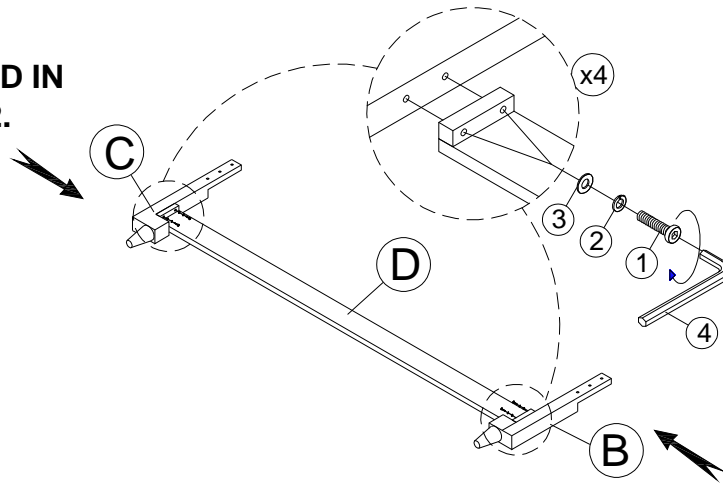
No.	Description	Image	Quantity
1	THREADED BOLT (8x70mm)		8 PCS
2	SPRING WASHER (9x13mm)		8 PCS
3	HALF MOON WASHER (9x28mm)		8 PCS
4	HEX NUT (8x13mm)		8 PCS
5	WRENCH (K13)		1 PC
6	WOOD SCREWS (4x30mm)		10 PCS
7	ALLEN BOLT (6x50mm)		14 PCS
8	ALLEN KEY		1 PC



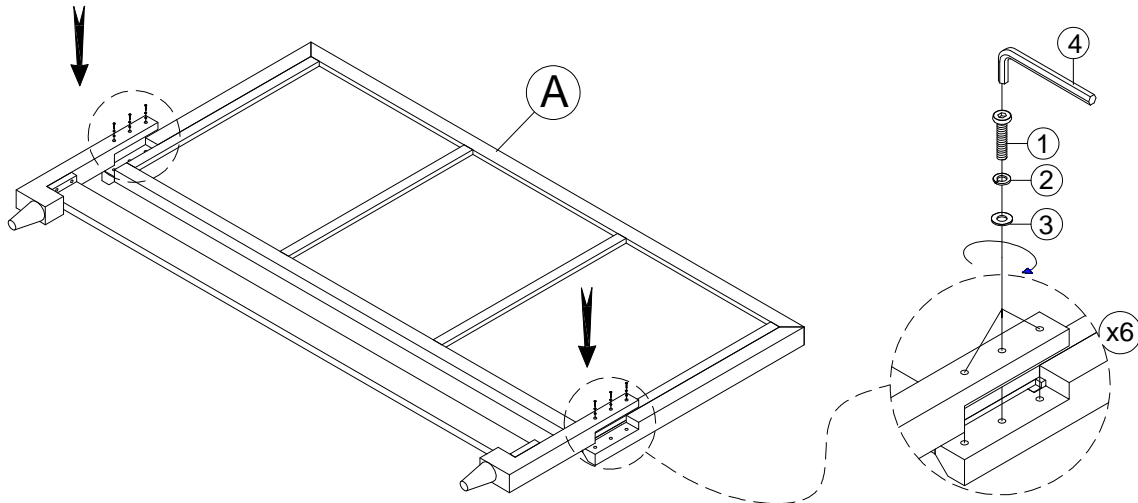
AVEDON CAL KING PANEL BED ASSEMBLY INSTRUCTIONS



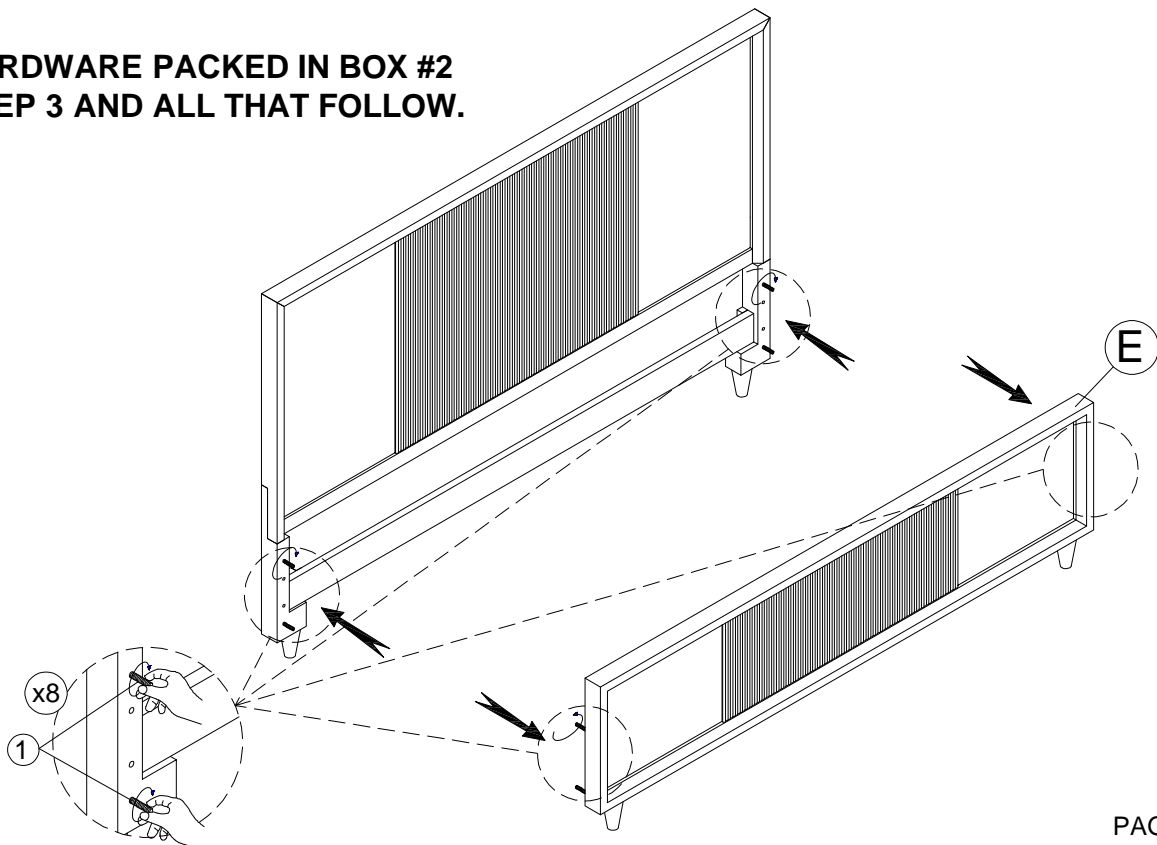
STEP 1:
USE HARDWARE PACKED IN
BOX #1 FOR STEPS 1 & 2.



STEP 2:

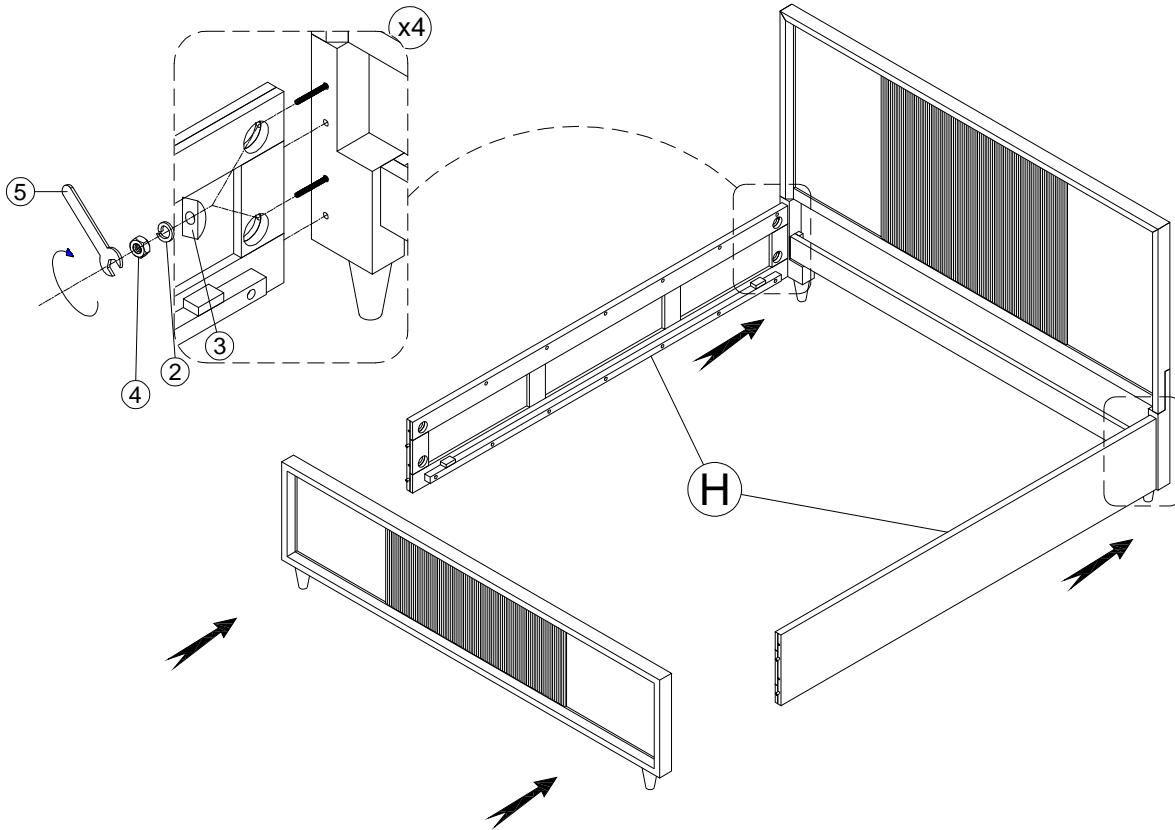


STEP 3:
USE HARDWARE PACKED IN BOX #2
FOR STEP 3 AND ALL THAT FOLLOW.

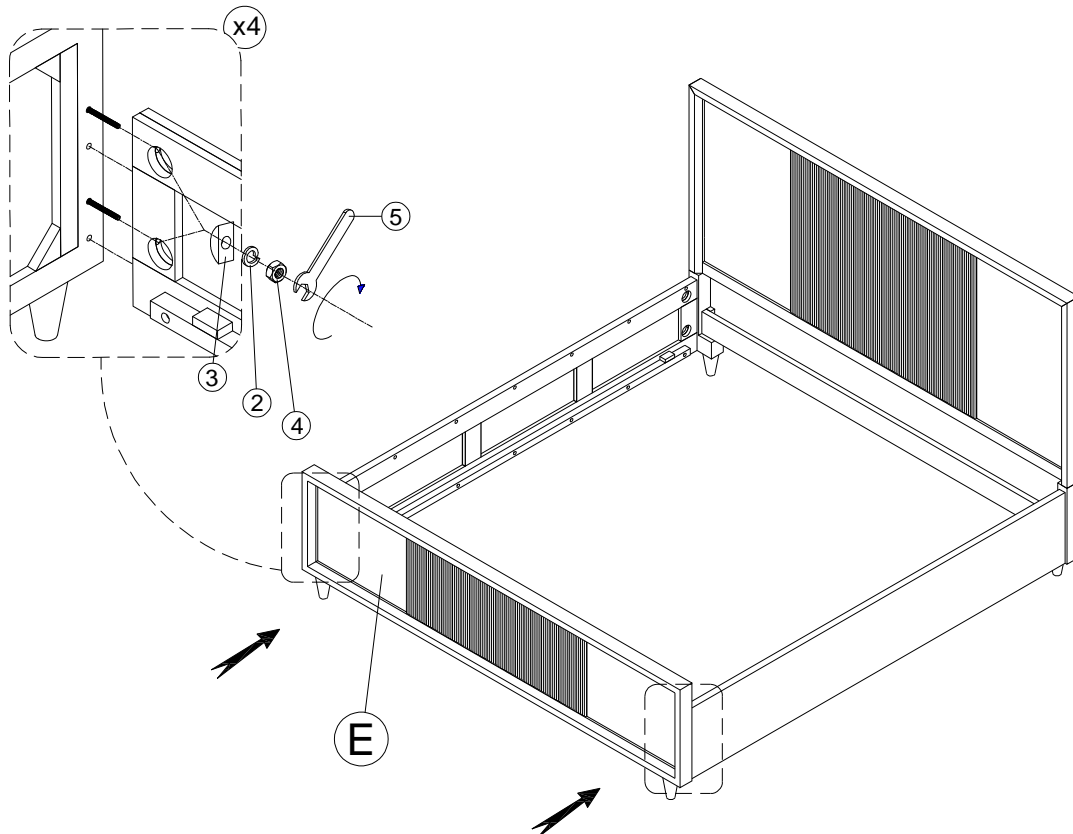


AVEDON CAL KING PANEL BED ASSEMBLY INSTRUCTIONS

STEP 4:



STEP 5:



AVEDON CAL KING PANEL BED ASSEMBLY INSTRUCTIONS

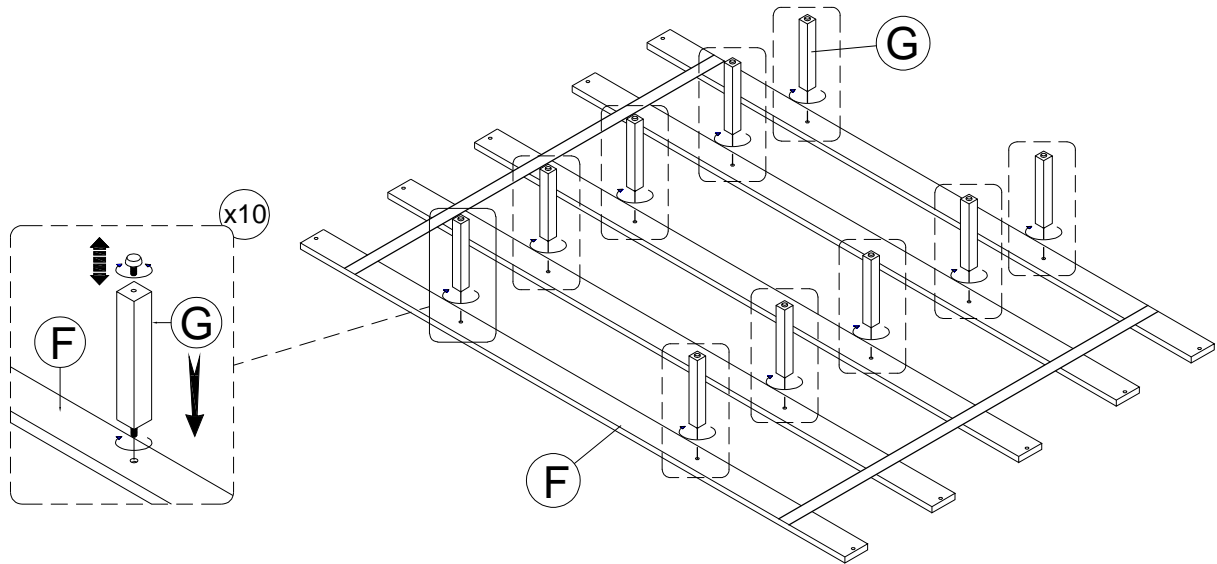


STOP

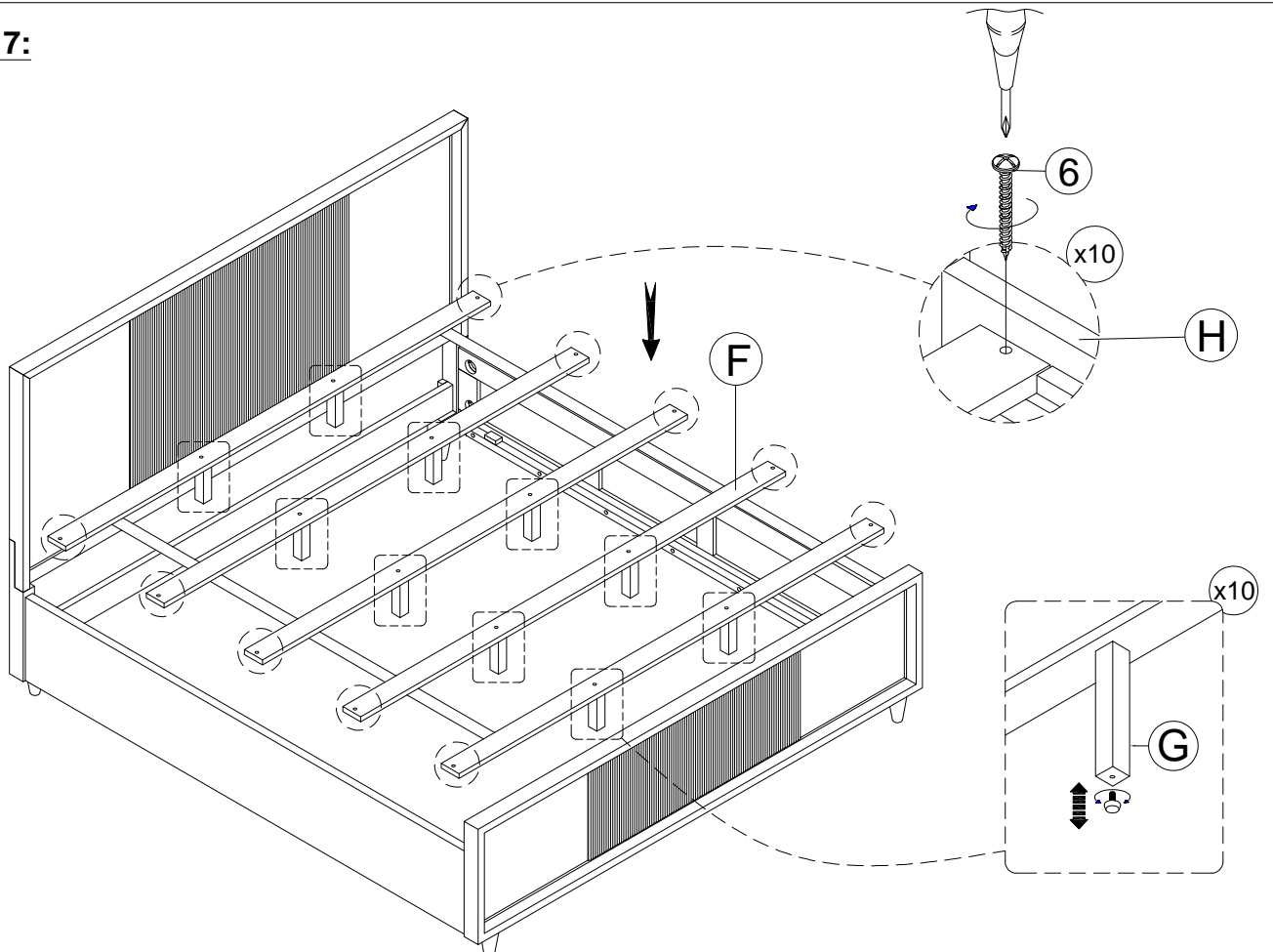
* IF USING BED FRAME WITH ADJUSTABLE MATTRESS BASE, SKIP TO APPENDIX A: ADJUSTABLE MATTRESS BASE ASSEMBLY SUPPLEMENT.

* IF USING BED FRAME WITH STANDARD BOX SPRING OR FOUNDATION CONTINUE TO STEP 6.

STEP 6:

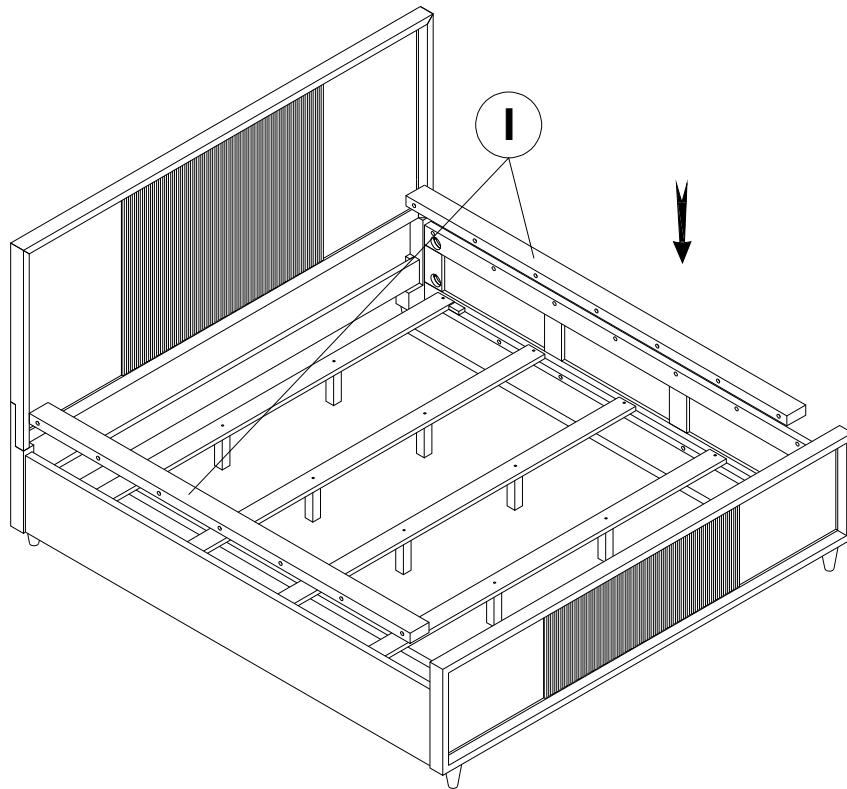


STEP 7:

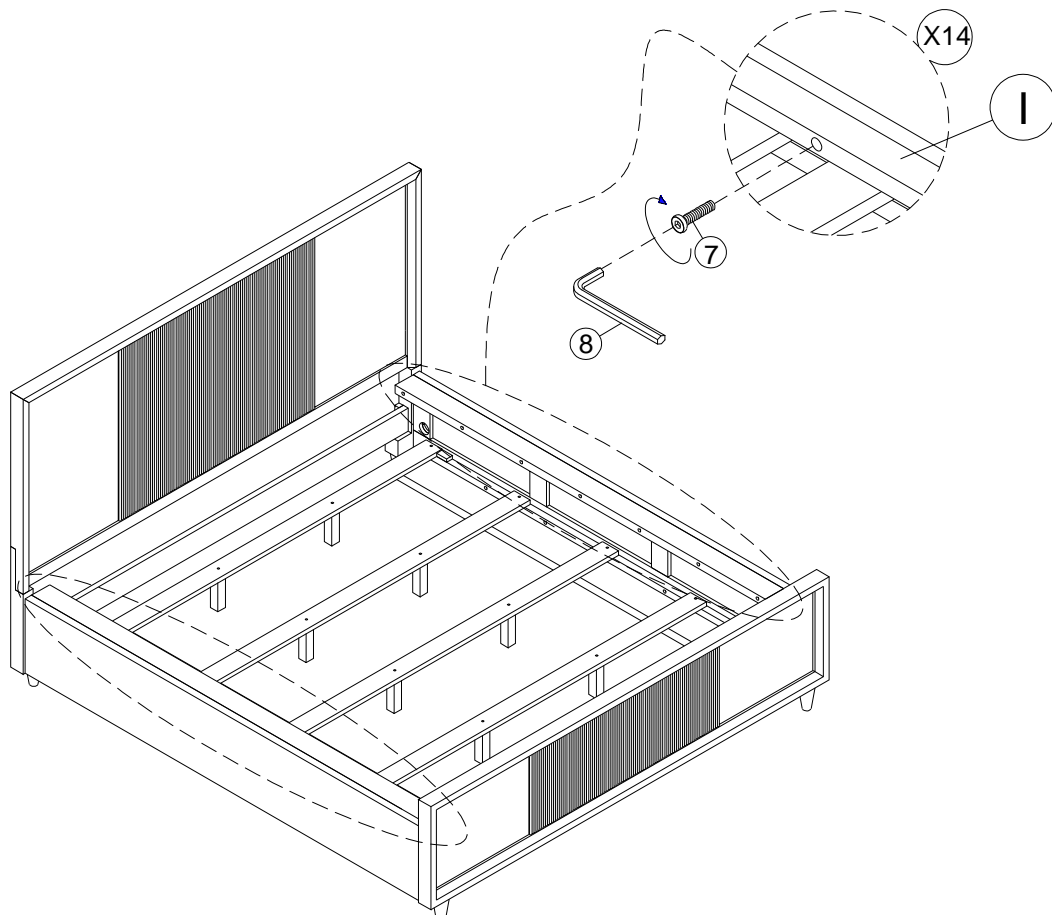


AVEDON CAL KING PANEL BED ASSEMBLY INSTRUCTIONS

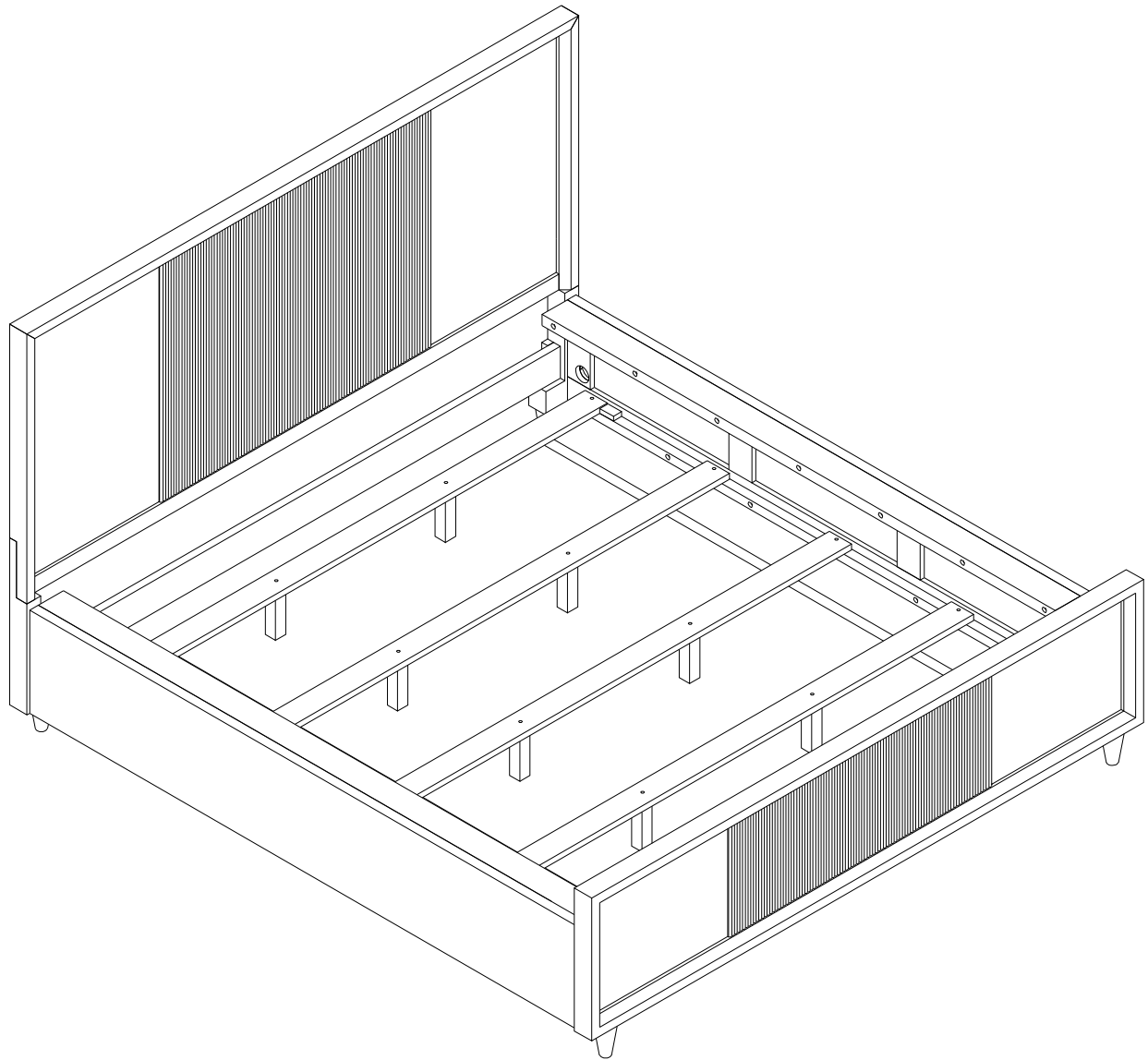
STEP 8:



STEP 9:



AVEDON CAL KING PANEL BED ASSEMBLY INSTRUCTIONS



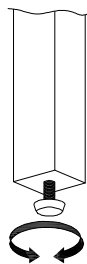
ASSEMBLY COMPLETE

INSTRUCTIONS FOR ADJUSTING LEVELER:

POSITION THE BED IN YOUR SPACE AND LOCATE THE LEVELER UNDER EACH SUPPORT LEG.

TURN THE LEVELER COUNTER-CLOCKWISE TO EXTEND THE LEVELER AND CLOCKWISE TO RETRACT IT.

ADJUST EACH LEVELER UNTIL EACH SUPPORT LEG IS APPLYING EQUAL, UPWARD PRESSURE ON THE BED SUPPORT SLAT



MAINTENANCE INSTRUCTIONS:

PERIODICALLY CHECK ALL FITTINGS AND TIGHTEN IF NECESSARY AS THEY CAN LOOSEN OVER TIME.

REMOVE BOX SPRING AND MATTRESS BEFORE MOVING YOUR BED.

LIFT YOUR BED WHEN MOVING IT. DRAGGING CAN DAMAGE THE LEG SUPPORT.

READJUST LEVELERS AFTER MOVING YOUR BED.

AVEDON CAL KING PANEL BED ASSEMBLY INSTRUCTIONS



APPENDIX A: ADJUSTABLE MATTRESS BASE ASSEMBLY SUPPLEMENT

AN ADJUSTABLE MATTRESS BASE IS A FREESTANDING MATTRESS SUPPORT THAT SITS WITHIN THE PERIMETER OF THE BED FRAME.

IF USING THE BED FRAME WITH A STANDARD BOX SPRING OR FOUNDATION THESE INSTRUCTIONS DO NOT APPLY.

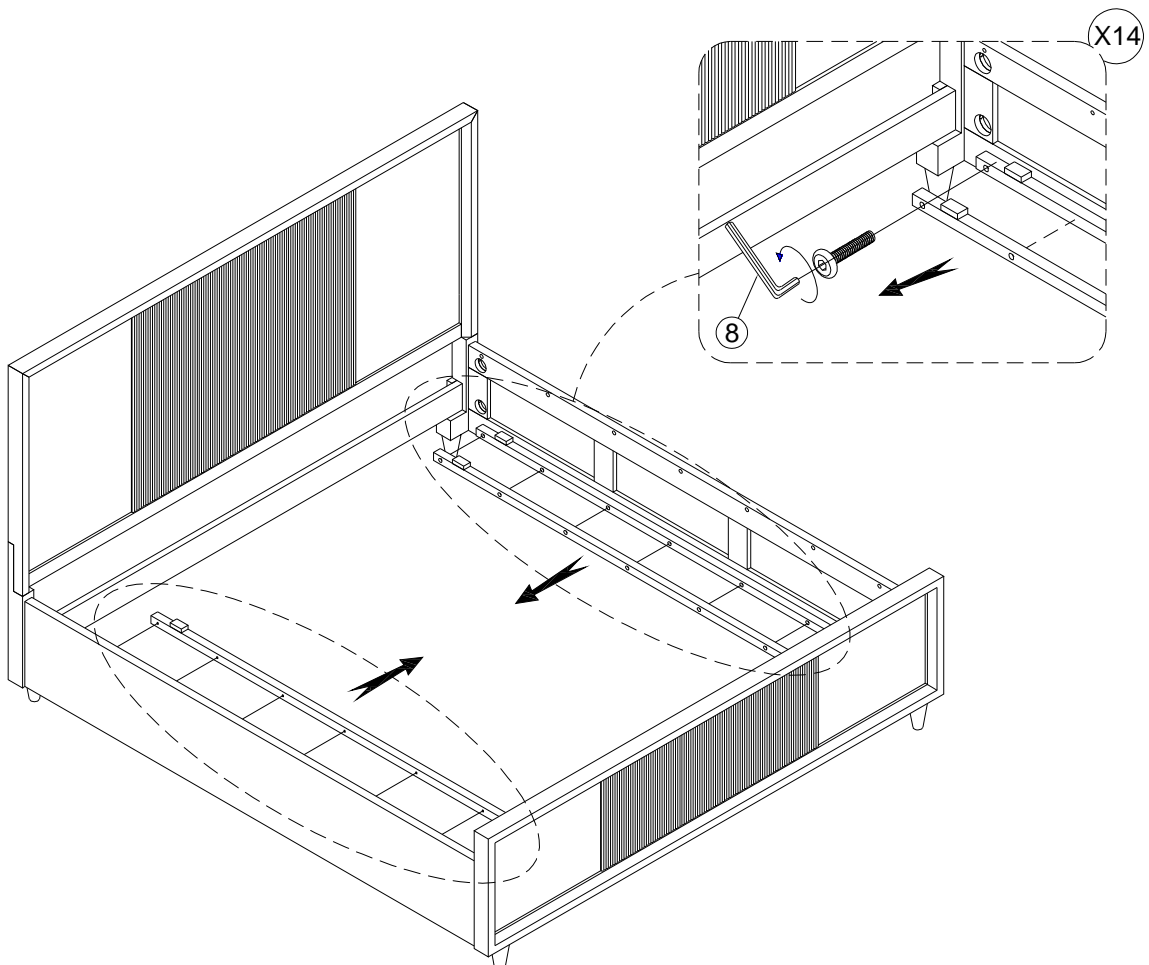
PRE-ASSEMBLED SIDE RAIL CLEATS OBSTRUCT ADJUSTABLE BASE INSTALLATION AND OPERATION. FOLLOW THESE INSTRUCTIONS TO REMOVE THEM.

THE FOLLOWING PARTS ARE NOT REQUIRED FOR ADJUSTABLE MATTRESS BASE INSTALLATION:

F. SLAT ROLL	1 SET
G. CENTER LEG	10 PCS
I. MATTRESS SPACER	2 PCS
6. WOOD SCREW (4x30mm)	10 PCS
7. ALLEN BOLT (M6x50mm)	14 PCS

STEP 1:

USE ALLEN KEY (8) TO UNSCREW ALLEN BOLTS AND REMOVE PRE-ASSEMBLED SIDE RAIL CLEATS



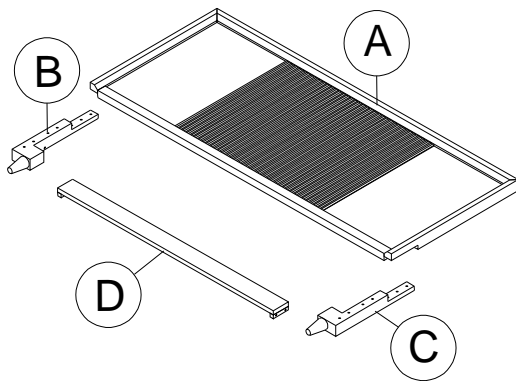
NOTE: YOU MAY WISH TO RETAIN UNUSED PARTS IF IN THE FUTURE YOU INTEND TO USE THE BED FRAME WITH A STANDARD BOX SPRING OR FOUNDATION.

AVEDON KING PANEL BED ASSEMBLY INSTRUCTIONS



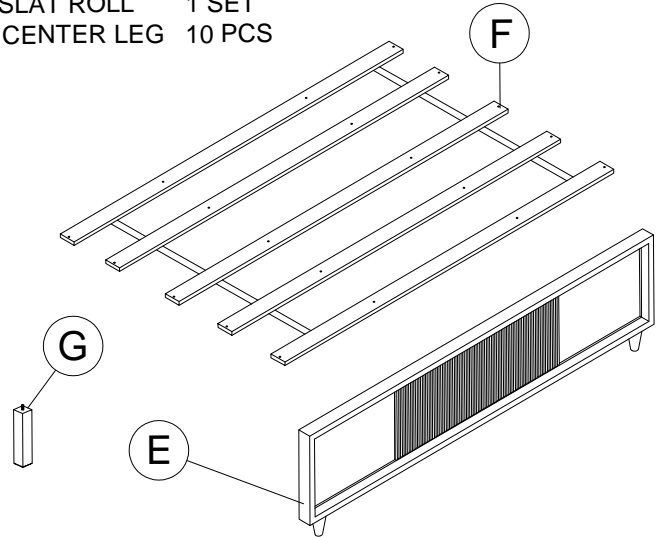
BOX #1:

- A. HEADBOARD PANEL 1 PC
- B. LEFT LEG 1 PC
- C. RIGHT LEG 1 PC
- D. STRETCHER 1 PC



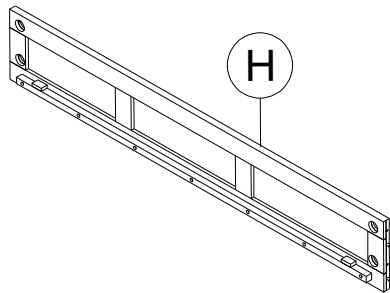
BOX #2:

- E. FOOTBOARD 1 PC
- F. SLAT ROLL 1 SET
- G. CENTER LEG 10 PCS



BOX #3:

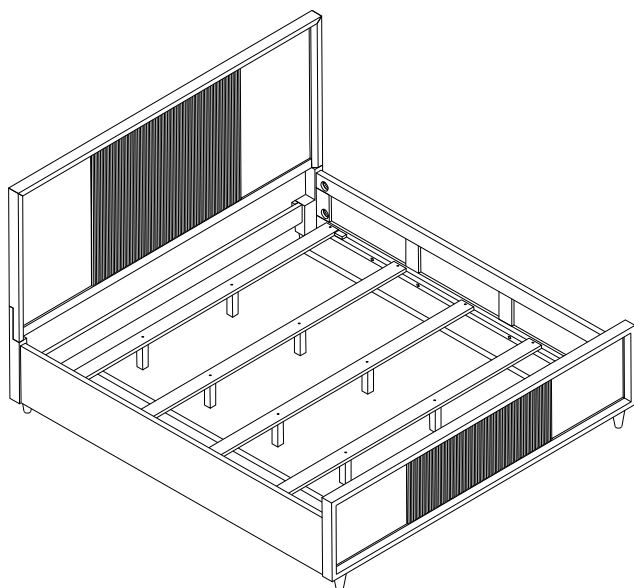
- H. SIDE RAIL 2 PCS



HARDWARE KIT PACKED IN BOX #1

No.	Description	Image	Quantity
1	ALLEN BOLT (8x50mm)		10 PCS
2	SPRING WASHER (9x13mm)		10 PCS
3	FLAT WASHER (9x19mm)		10 PCS
4	ALLEN KEY		1 PC

FULLY ASSEMBLED



HARDWARE KIT PACKED IN BOX #2

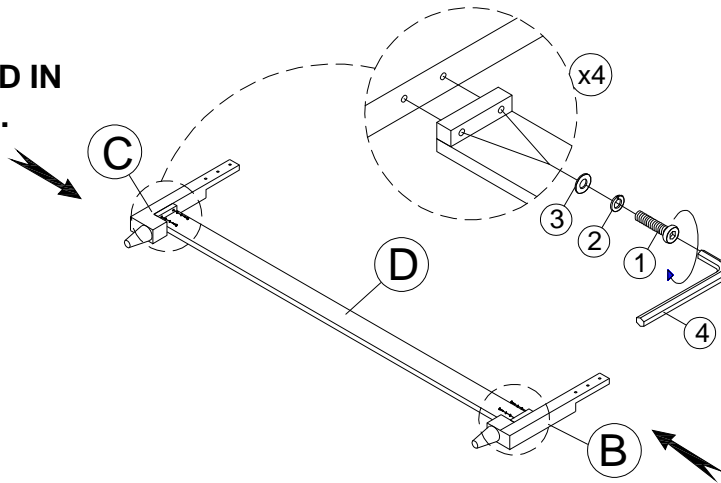
No.	Description	Image	Quantity
1	THREADED BOLT (8x70mm)		8 PCS
2	SPRING WASHER (9x13mm)		8 PCS
3	HALF MOON WASHER (9x28mm)		8 PCS
4	HEX NUT (8x13mm)		8 PCS
5	WRENCH (K13)		1 PC
6	WOOD SCREWS (4x30mm)		10 PCS



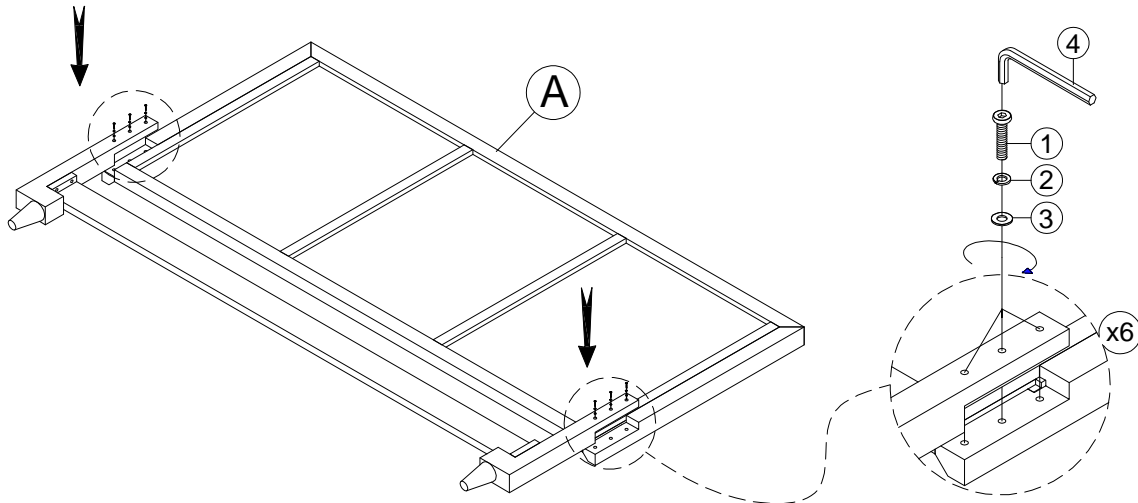
AVEDON KING PANEL BED ASSEMBLY INSTRUCTIONS



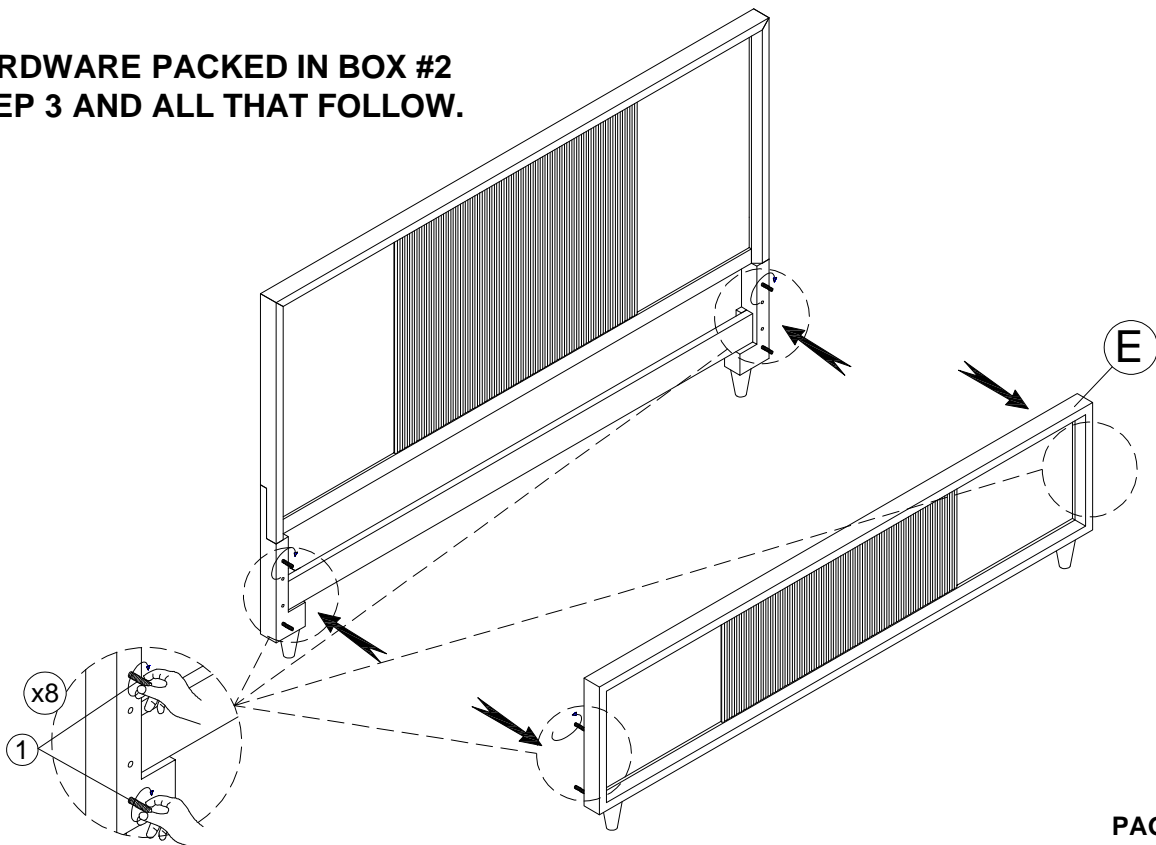
STEP 1:
USE HARDWARE PAKED IN
BOX #1 FOR STEPS 1 & 2.



STEP 2:

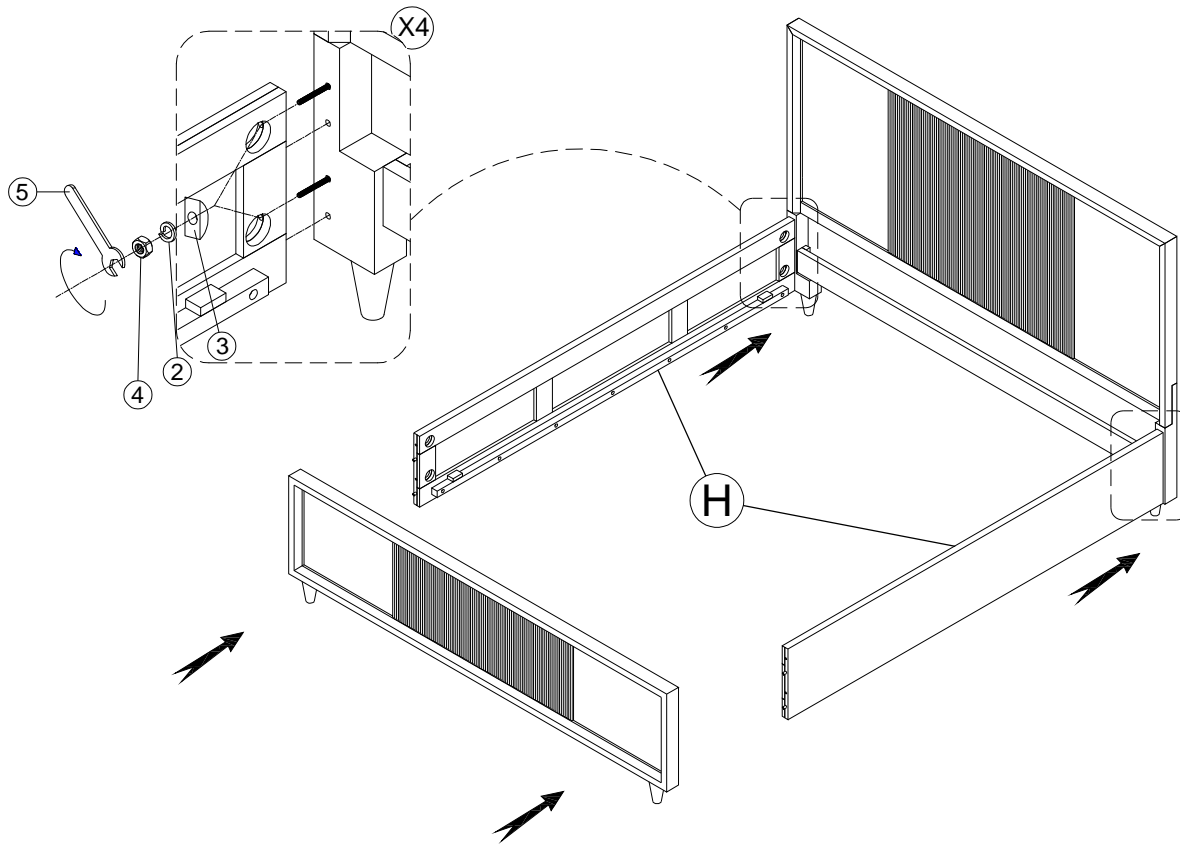


STEP 3:
USE HARDWARE PAKED IN BOX #2
FOR STEP 3 AND ALL THAT FOLLOW.

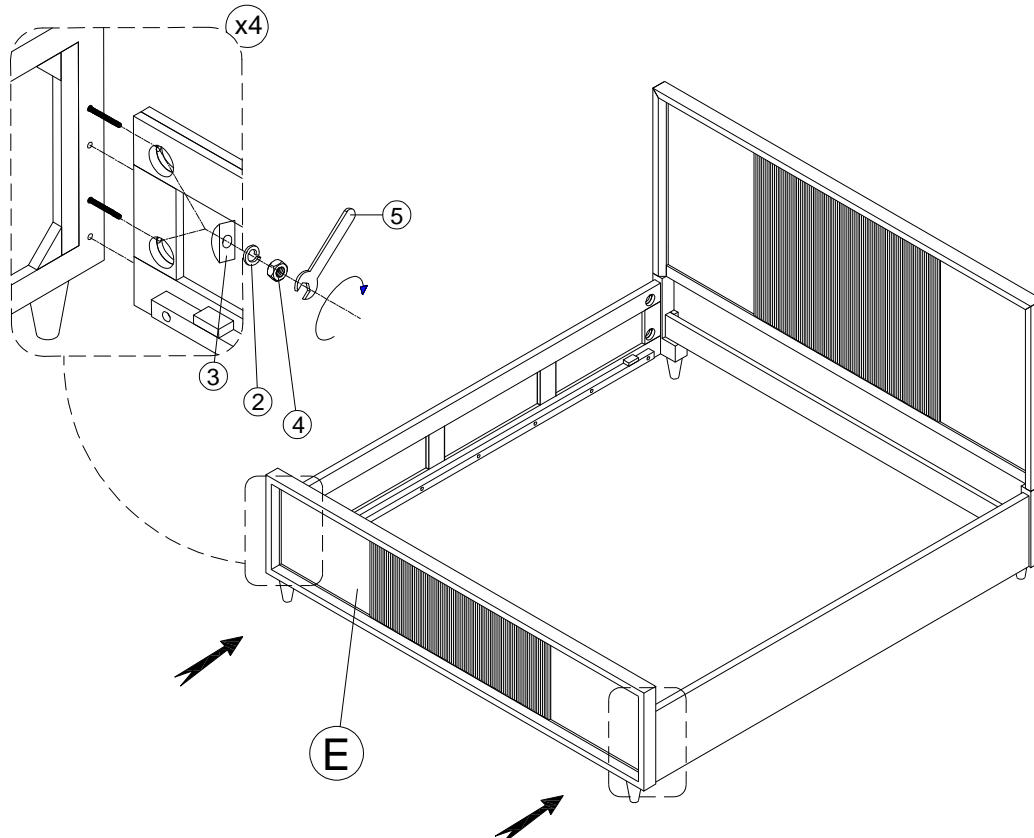


AVEDON KING PANEL BED ASSEMBLY INSTRUCTIONS

STEP 4:



STEP 5:



AVEDON KING PANEL BED ASSEMBLY INSTRUCTIONS

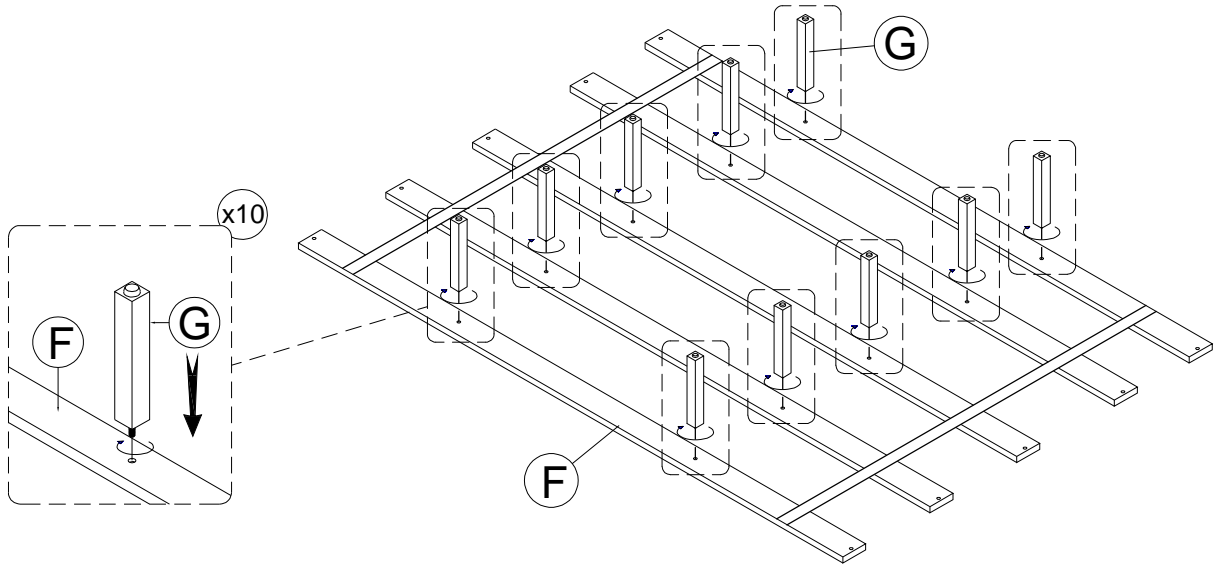


STOP

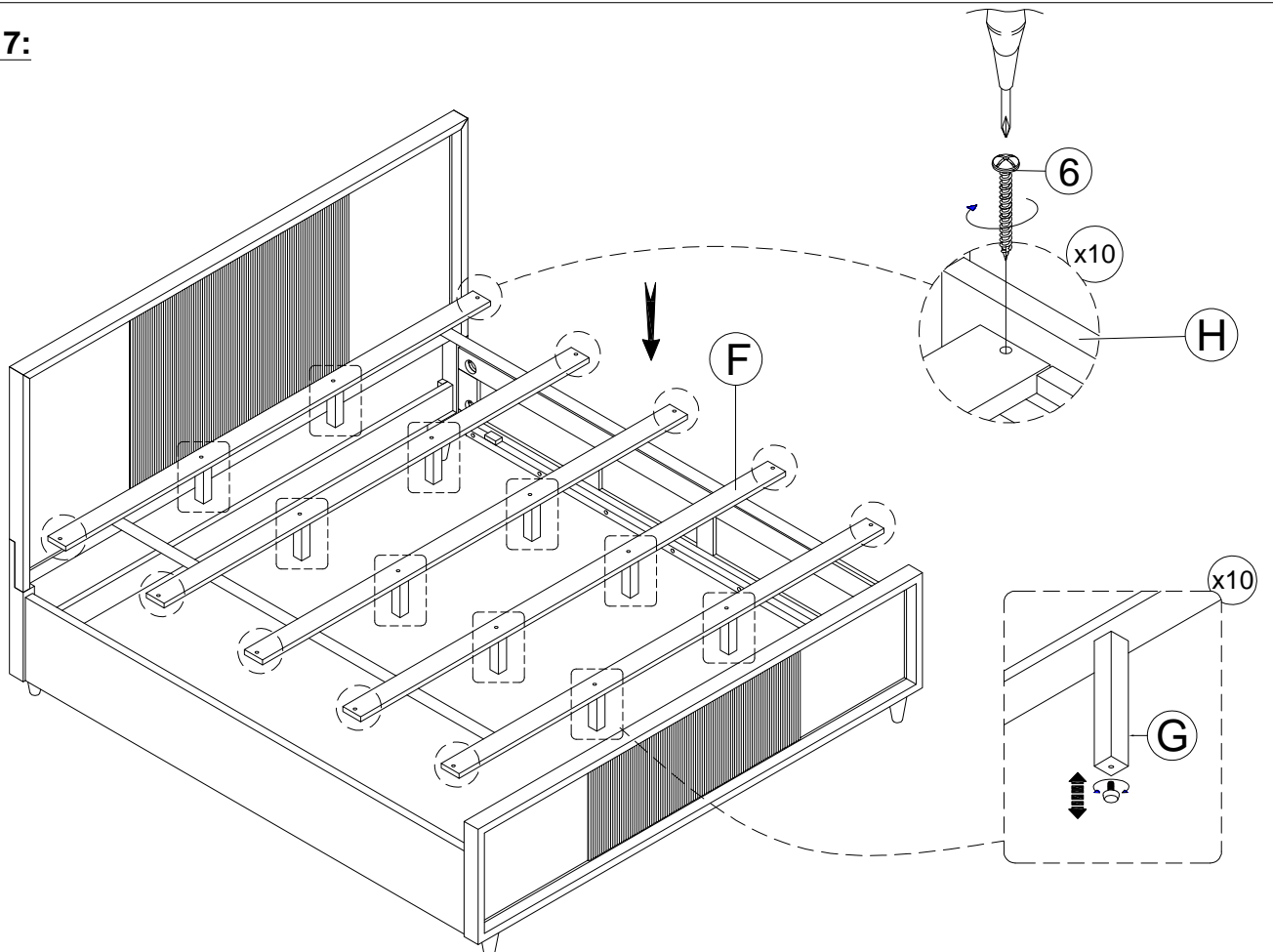
* IF USING BED FRAME WITH ADJUSTABLE MATTRESS BASE, SKIP TO APPENDIX A: ADJUSTABLE MATTRESS BASE ASSEMBLY SUPPLEMENT.

* IF USING BED FRAME WITH STANDARD BOX SPRING OR FOUNDATION CONTINUE TO STEP 6.

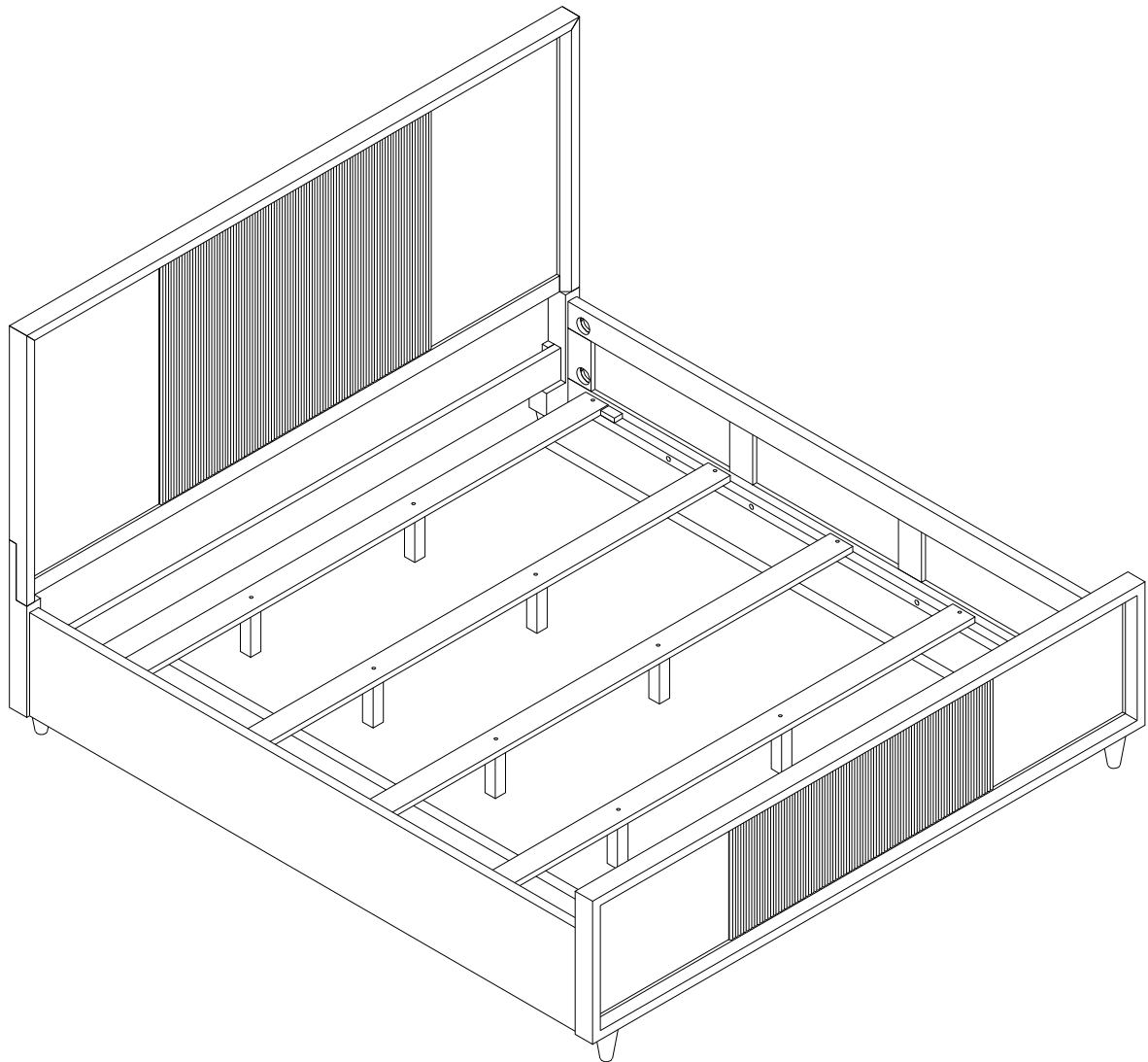
STEP 6:



STEP 7:



AVEDON KING PANEL BED ASSEMBLY INSTRUCTIONS



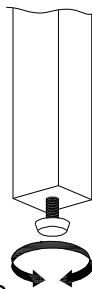
ASSEMBLY COMPLETE

INSTRUCTIONS FOR ADJUSTING LEVELER:

POSITION THE BED IN YOUR SPACE AND LOCATE THE LEVELER UNDER EACH SUPPORT LEG.

TURN THE LEVELER COUNTER-CLOCKWISE TO EXTEND THE LEVELER AND CLOCKWISE TO RETRACT IT.

ADJUST EACH LEVELER UNTIL EACH SUPPORT LEG IS APPLYING EQUAL, UPWARD PRESSURE ON THE BED SUPPORT SLAT



MAINTENANCE INSTRUCTIONS:

PERIODICALLY CHECK ALL FITTINGS AND TIGHTEN IF NECESSARY AS THEY CAN LOOSEN OVER TIME.

REMOVE BOX SPRING AND MATTRESS BEFORE MOVING YOUR BED.

LIFT YOUR BED WHEN MOVING IT. DRAGGING CAN DAMAGE THE LEG SUPPORT.

READJUST LEVELERS AFTER MOVING YOUR BED.

AVEDON KING PANEL BED ASSEMBLY INSTRUCTIONS



APPENDIX A: ADJUSTABLE MATTRESS BASE ASSEMBLY SUPPLEMENT

AN ADJUSTABLE MATTRESS BASE IS A FREESTANDING MATTRESS SUPPORT THAT SITS WITHIN THE PERIMETER OF THE BED FRAME.

IF USING THE BED FRAME WITH A STANDARD BOX SPRING OR FOUNDATION THESE INSTRUCTIONS DO NOT APPLY.

PRE-ASSEMBLED SIDE RAIL CLEATS OBSTRUCT ADJUSTABLE BASE INSTALLATION AND OPERATION. FOLLOW THESE INSTRUCTIONS TO REMOVE THEM.

THE FOLLOWING PARTS ARE NOT REQUIRED FOR ADJUSTABLE MATTRESS BASE INSTALLATION:

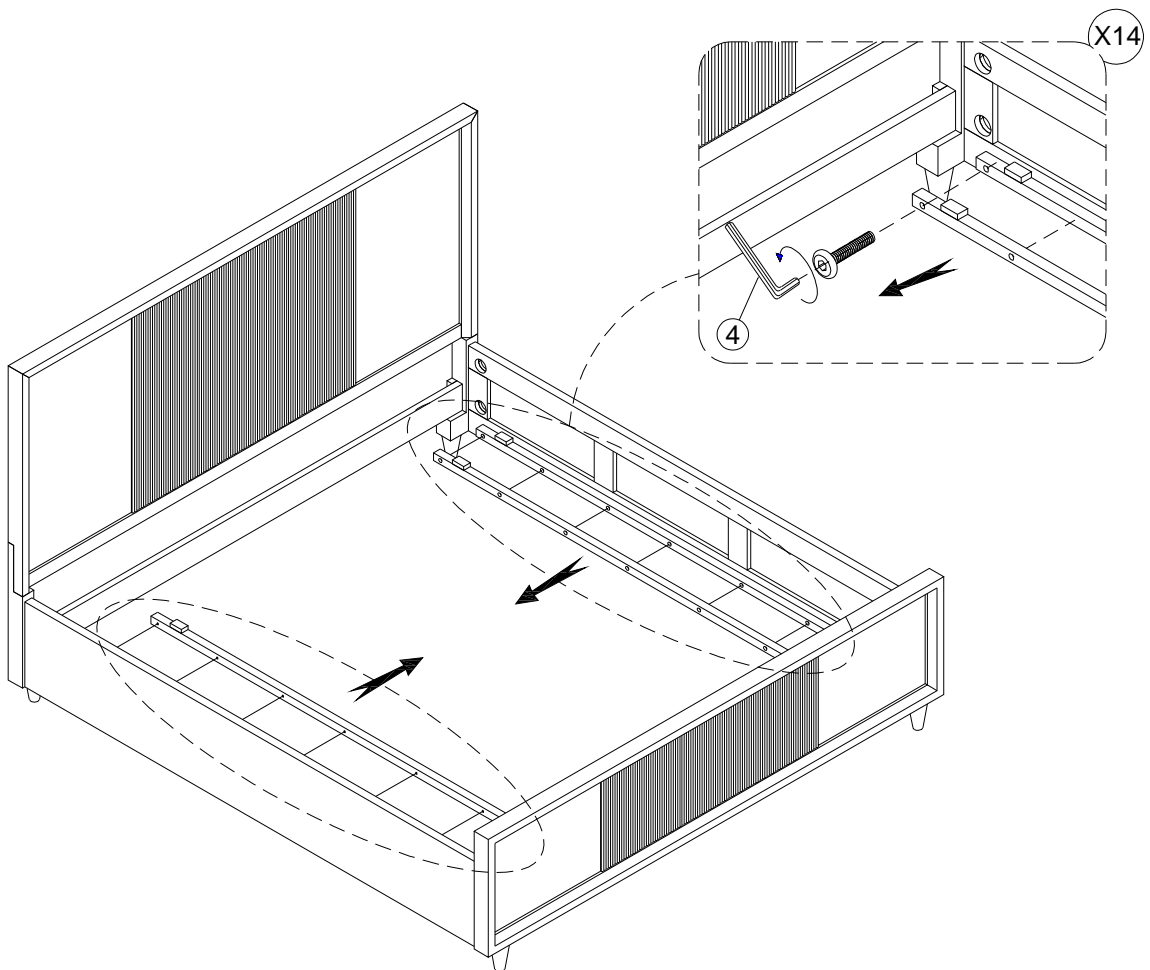
F. SLAT ROLL 1 SET

G. CENTER LEG 10 PCS

6. WOOD SCREW (4x30mm) 10 PCS

STEP 1:

USE ALLEN KEY (4) TO UNSCREW ALLEN BOLTS AND REMOVE PRE-ASSEMBLED SIDE RAIL CLEATS



NOTE: YOU MAY WISH TO RETAIN UNUSED PARTS IF IN THE FUTURE YOU INTEND TO USE THE BED FRAME WITH A STANDARD BOX SPRING OR FOUNDATION.