

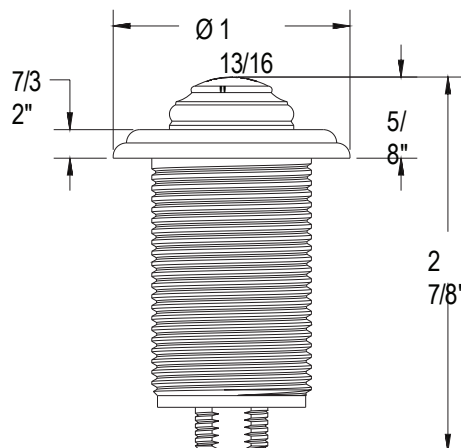


ROHL DECORATIVE LUXURY AIR ACTIVATED SWITCH BUTTON ONLY FOR WASTE DISPOSAL

**AS525**

## FEATURES

- Traditional styling
- Remote on/off air switch button for activating continuous feed waste disposals
- Transmitter button with escutcheon, base and fastening nut included
- 1 1/4" cutout, 1 3/4" max. installation depth on deck or wall
- Escutcheon and button made of brass
- Does not come with control box, button only
- Button and escutcheon adhered to base



For warranty or additional information, contact:

US customers

U.S.A.  
HOUSEOFROHL.COM  
1-800-777-9762

Canadian customers

QUEBEC / MARITIMES / WESTERN CANADA  
QUÉBEC / MARITIMES / OUEST CANADIEN  
QUEBEC / MARITIMOS / CANADA OCCIDENTAL  
HOUSEOFROHL.CA  
1-866-473-8442

ONTARIO  
HOUSEOFROHL.CA  
1-800-287-5354