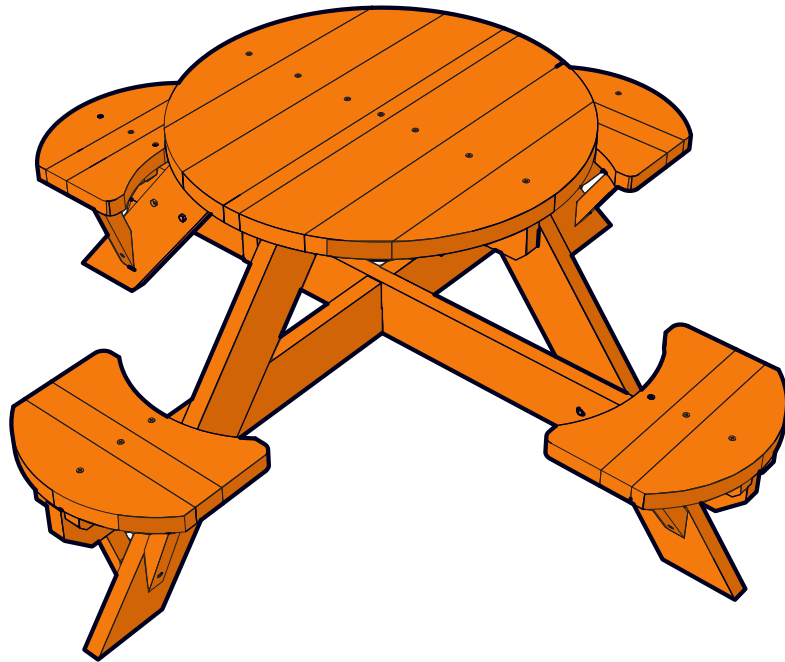


JACK & JUNE

CHILDREN'S ROUND PICNIC TABLE



CPSIA#-PG504W- -DA

ASSEMBLY INSTRUCTIONS

This product is suitable for children 18+ Months to 6 Years

**Assembly requires 1 adult
(approx. 30 minutes assembly time)**

**Warning! Choke Hazard - not suitable for children
under 36 months until fully assembled**

PG504W

Advisory Section

To ensure the safety of you, the installer and your children, it is important that these instructions are read fully before commencing the positioning and assembly of this product. Assemble table on a clean flat area.

Assembly to be carried out by a competent adult only.

During assembly children should be kept away from the product due to possible risk of injury.

Do not use this item if any components are missing or damaged.

The maximum child weight or load for which the product is suitable is 110lbs for each seat and 110lbs on the table top.

Timber Advice

This product has been made from premium timber. Great care has been taken in selecting, and machining the timber before it is presented to you. Timber is a natural product and as such may experience changes throughout the course of its life. This means it may:

- Develop openings (gaps, slits, apertures, cracks, splits) along the line of the grain. These openings are due to the difference in moisture content between the internal and outer surfaces of the timber. This is to be expected, is totally acceptable and will not affect the integral strength, life or guarantee of the product.
- Warp and distort its shape. Any distortion will be slight and will not affect the safety or enjoyment of this product.
- Fade as the timber reacts with sunlight. The timber should be treated with a proprietary product to act as a protective barrier, i.e. a water repellent, upon completion of assembly and on an annual basis.
- Upon completion of assembly and after the first year of service, treat product with a good quality treatment/wood preservative safe for children's use.

Routine Maintenance

It is advised that on a regular basis (i.e. at the beginning of the season and monthly thereafter) all main parts/ fixings are checked as secure, have no sharp points/edges and are intact. Replace, and/or tighten when necessary. Failure to do so may result in an injury or hazard.

Important: Retain these instructions for future reference

STANDARD PARTS LIST

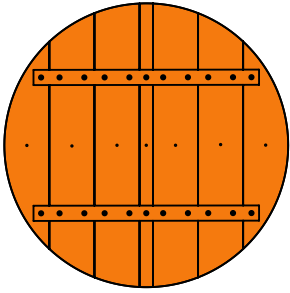


Table Top Assembly A
QTY. 1

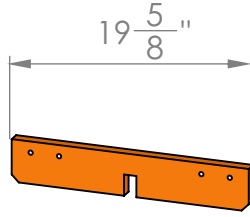


Table Brace B
QTY. 1

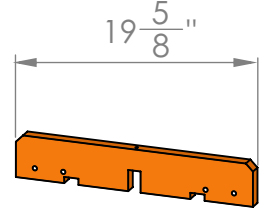
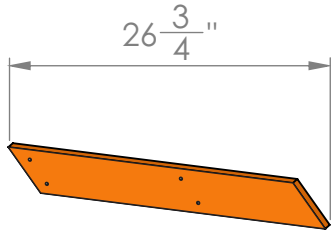
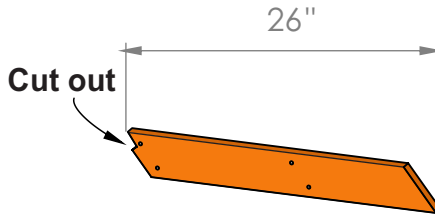


Table Brace C
QTY. 1



Base Leg D
QTY. 2



Base Leg E
QTY. 2

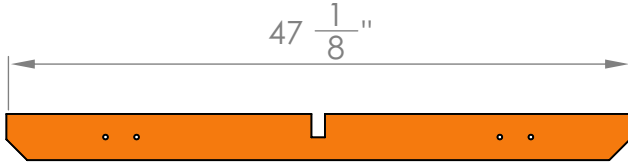


Table & seat Cross Beam F
QTY. 1

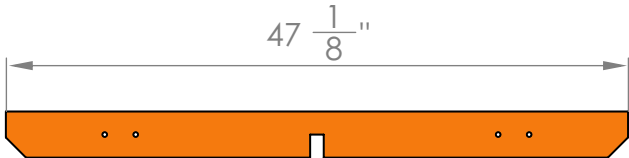
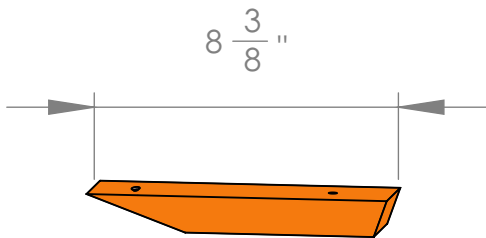


Table & seat Cross Beam G
QTY. 1



Seat Assembly H
QTY. 4



Seat Support J
QTY. 4



Seat Support T
QTY. 4

HARDWARE

H1



No.8 X 2_1-4" PHILLIPS FLAT HEAD SCREW
QTY. **2**

H2



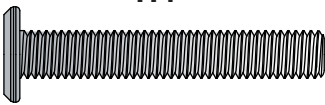
No.8 X 2" PHILLIPS FLAT HEAD SCREW
QTY. **19**

H3



No.8 X 1_1-2" PHILLIPS FLAT HEAD SCREW
QTY. **16**

H4



M6X40mm bolt
QTY. **16**

H5



M6X15mm NUT
QTY. **16**

TOOLS NEEDED



PHILLIPS SCREW DRIVER

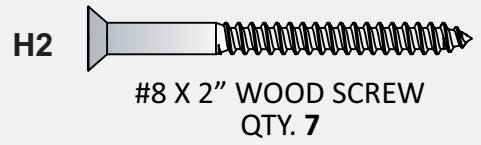
NOTE:

An electric screwdriver is helpful in assembly. However, please set at low torque and use extreme caution with an electric screwdriver because you could over-tighten the hardware & strip out the screws.



ALLEN KEYS (Included)
QTY. **2**

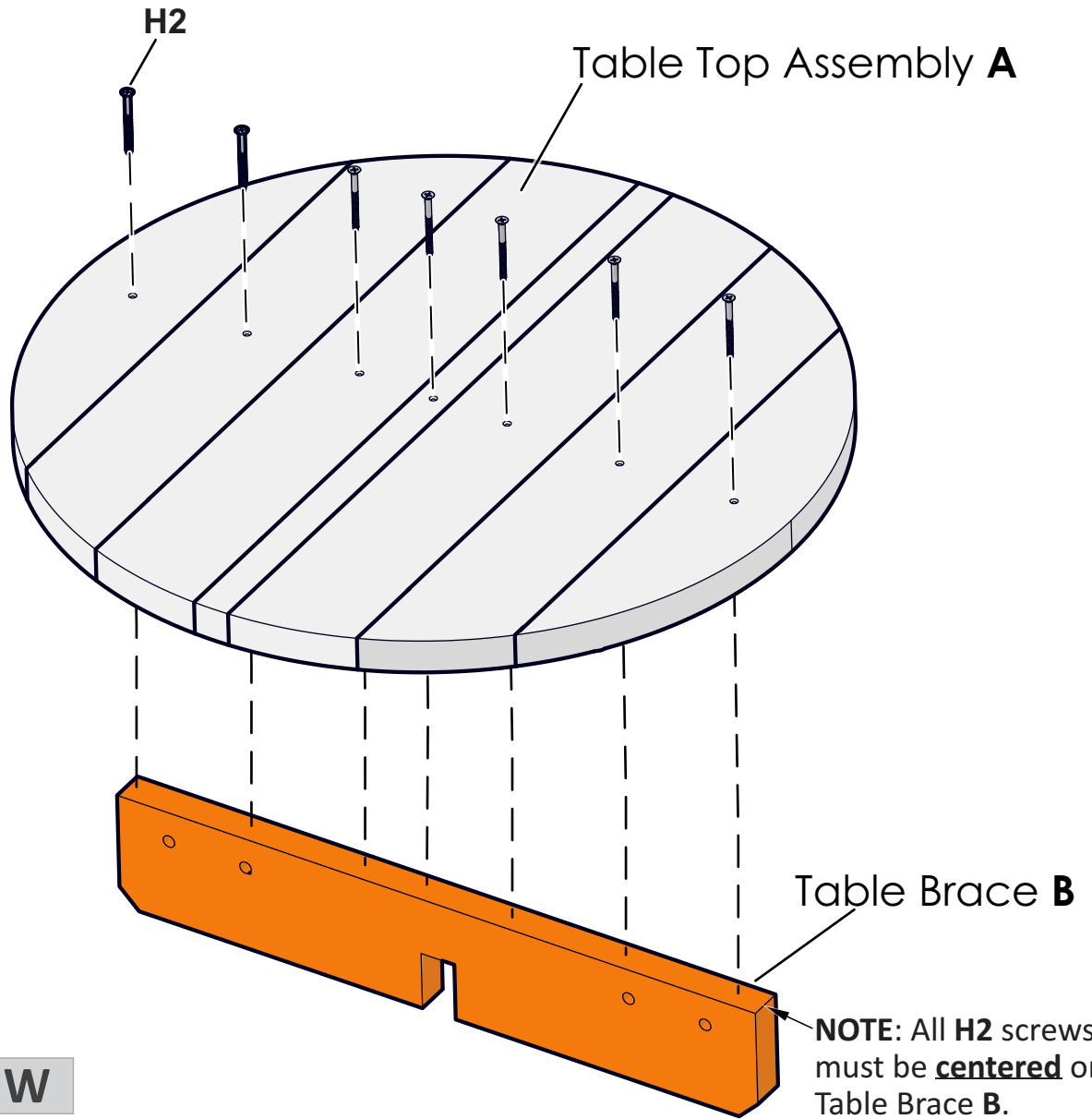
HARDWARE NEEDED (ACTUAL SIZE)



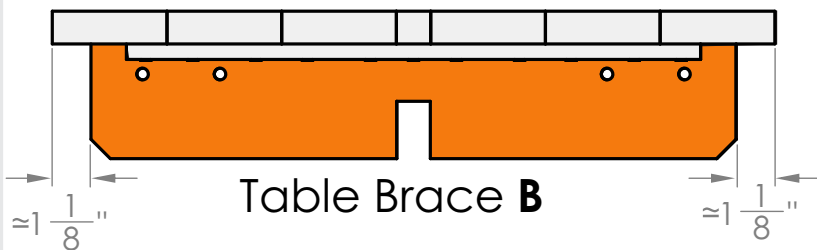
STEP 1

Assemble Table Top Assembly **A** to Table Brace **B** as shown using **H2** Screws. Make sure Table Brace **B** is **Centered** on Table Top Assembly **A**. See Side View.

NOTE: Tighten, but **DO NOT** strip out the **H2** screws.



SIDE VIEW



STEP 2

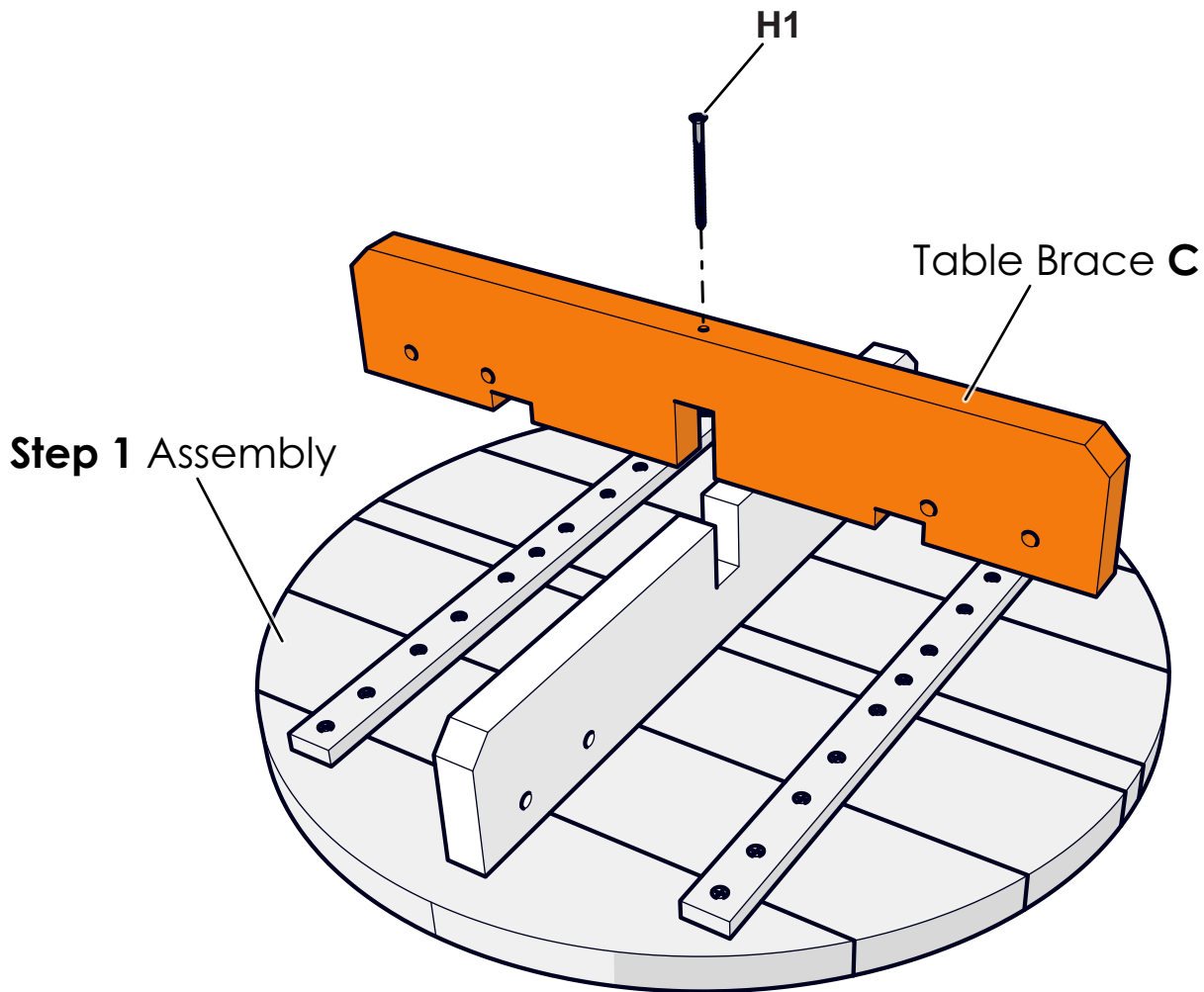
On a clean flat surface lay **Step 1** assembly as shown and attach Table Brace **C** with a **H1** Screw.

NOTE: Tighten, but **DO NOT** strip out the **H1** screw.

HARDWARE NEEDED (ACTUAL SIZE)



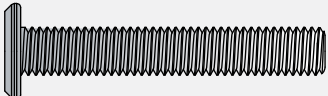
#8 X 2-1/4" WOOD SCREW
QTY. 1

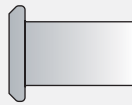


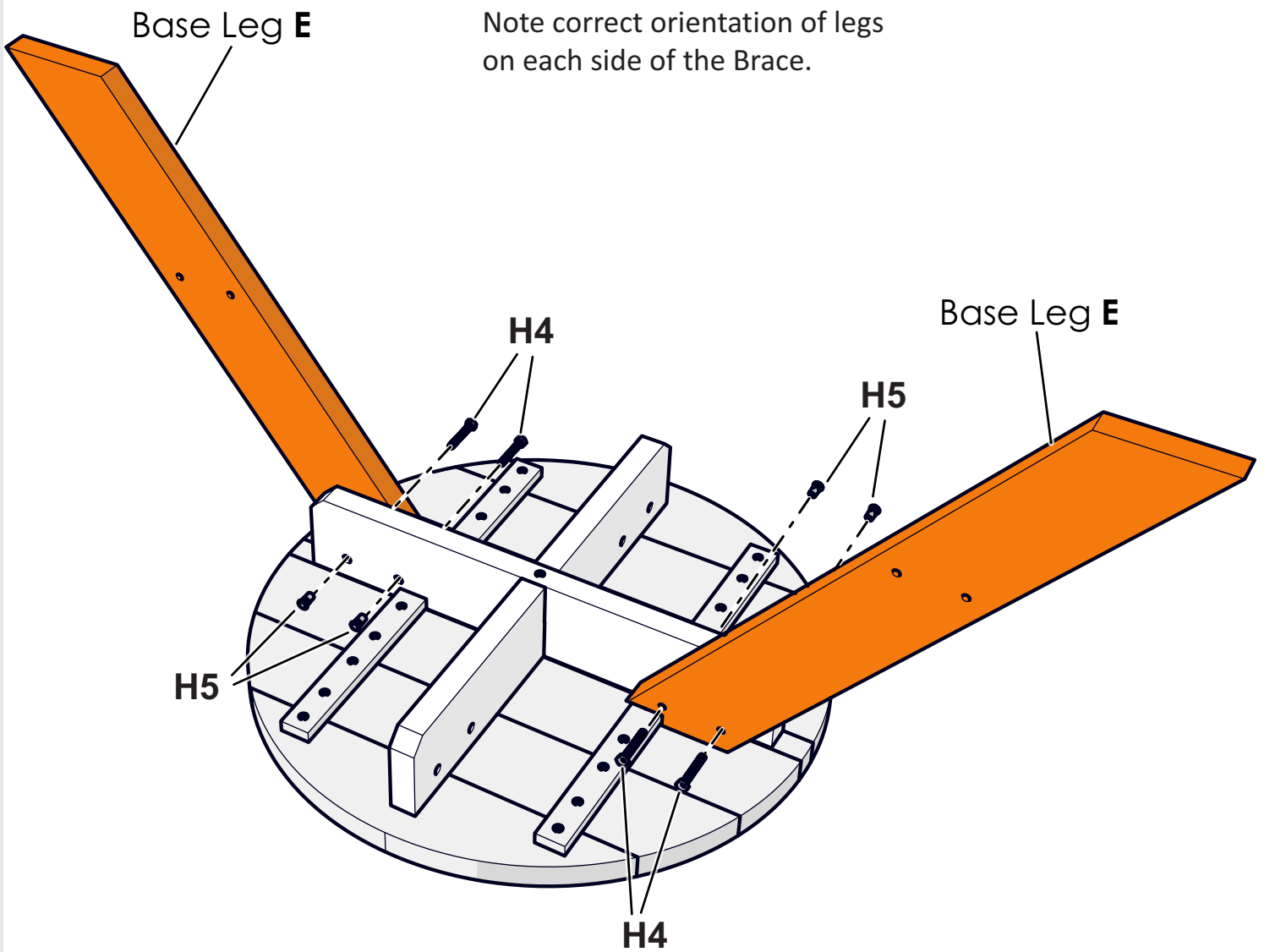
STEP 3

Attach two Base Legs **E** (with cut out) using **H4** & **H5** hardware as shown. Use provided Allen keys to tighten.

HARDWARE NEEDED (ACTUAL SIZE)

H4 
M6X40mm bolt
QTY. 4

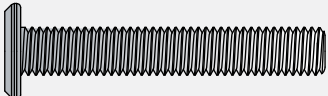
H5 
M6x15 NUT
QTY. 4

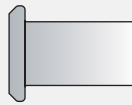


STEP 4

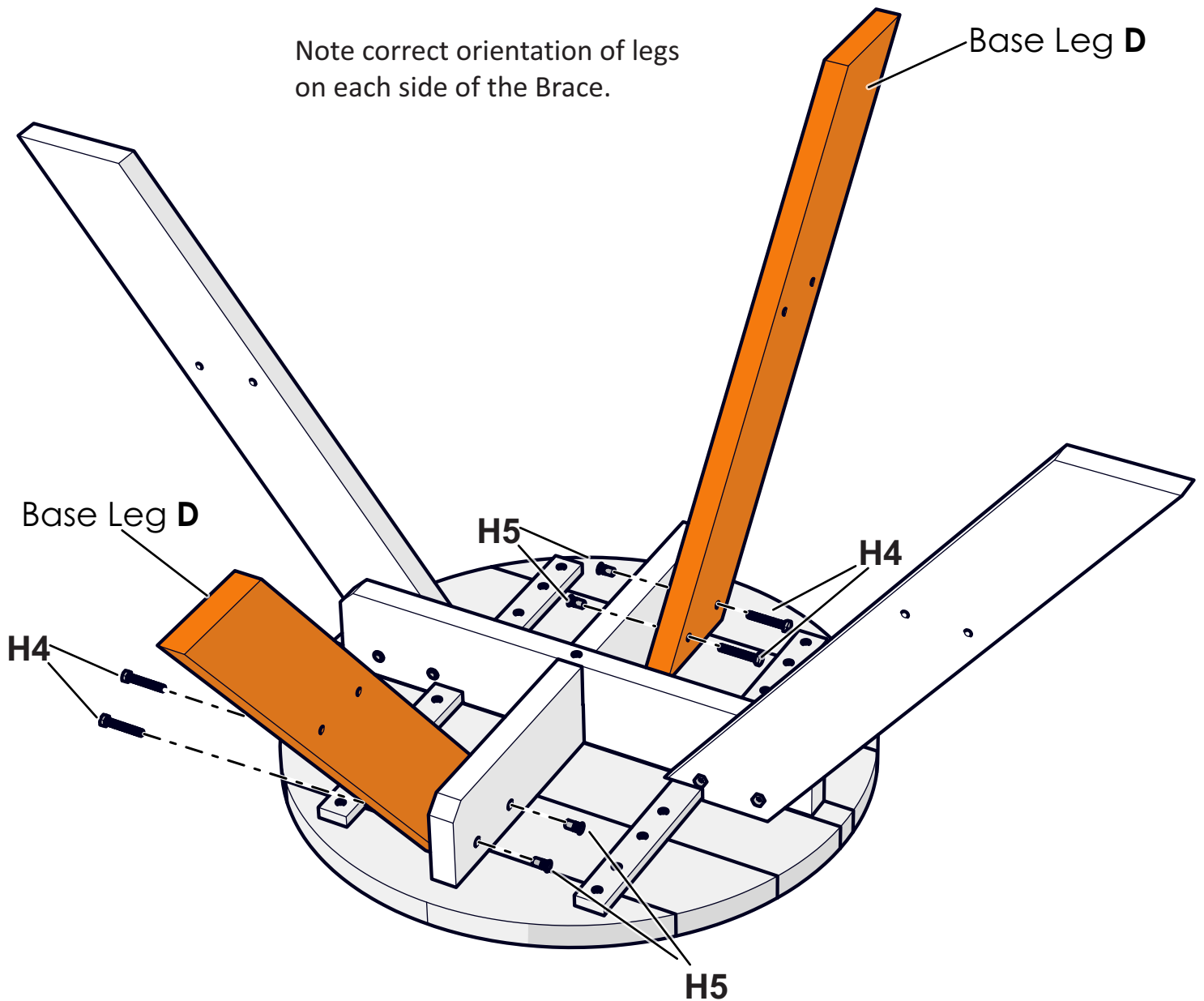
Attach two Base Legs **D** using **H4** & **H5** hardware as shown. Use provided Allen keys to tighten.

HARDWARE NEEDED (ACTUAL SIZE)

H4 
M6X40mm bolt
QTY. 4

H5 
M6x15 NUT
QTY. 4

Note correct orientation of legs on each side of the Brace.



STEP 5

Attach Cross Beam F & G using hardware H1, H4 & H5 as shown.

NOTE: Place Crossbeams to the right of Base Legs as shown. Install H1 screw as per diagram. Use provided Allen Keys to tighten ALL H4 Bolts.

HARDWARE NEEDED (ACTUAL SIZE)



#8 X 2-1/4" WOOD SCREW
QTY. 1



M6X40mm bolt
QTY. 8



M6x15 NUT
QTY. 8

Table&seat Cross
Beam F

H4

H1

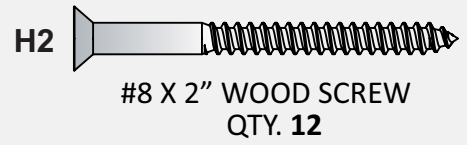
H5

H5

H4

Table&seat Cross
Beam G

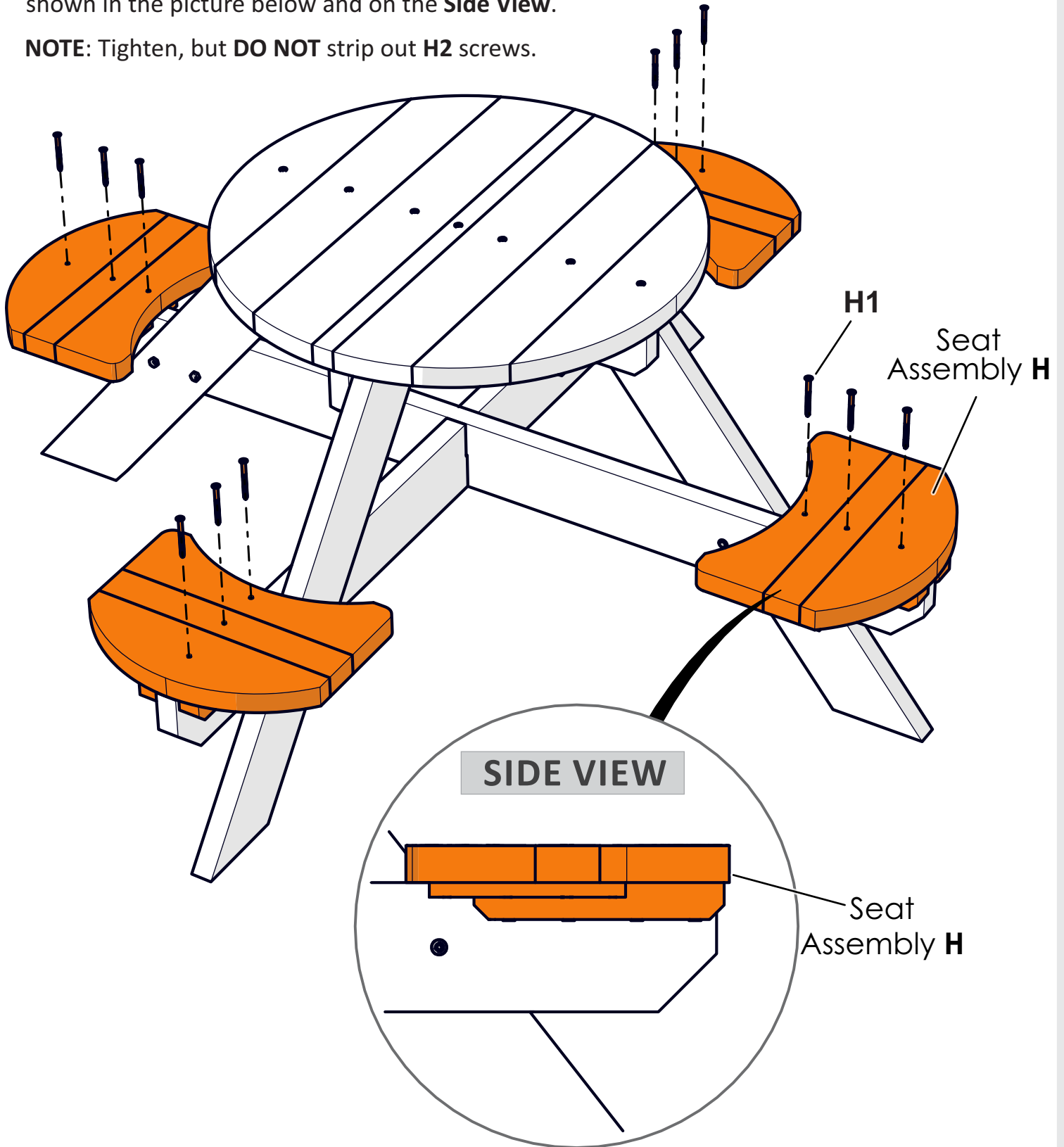
HARDWARE NEEDED (ACTUAL SIZE)



STEP 6

Attach Seat Assemblies H using H2 screws as shown in the picture below and on the **Side View**.

NOTE: Tighten, but **DO NOT** strip out H2 screws.



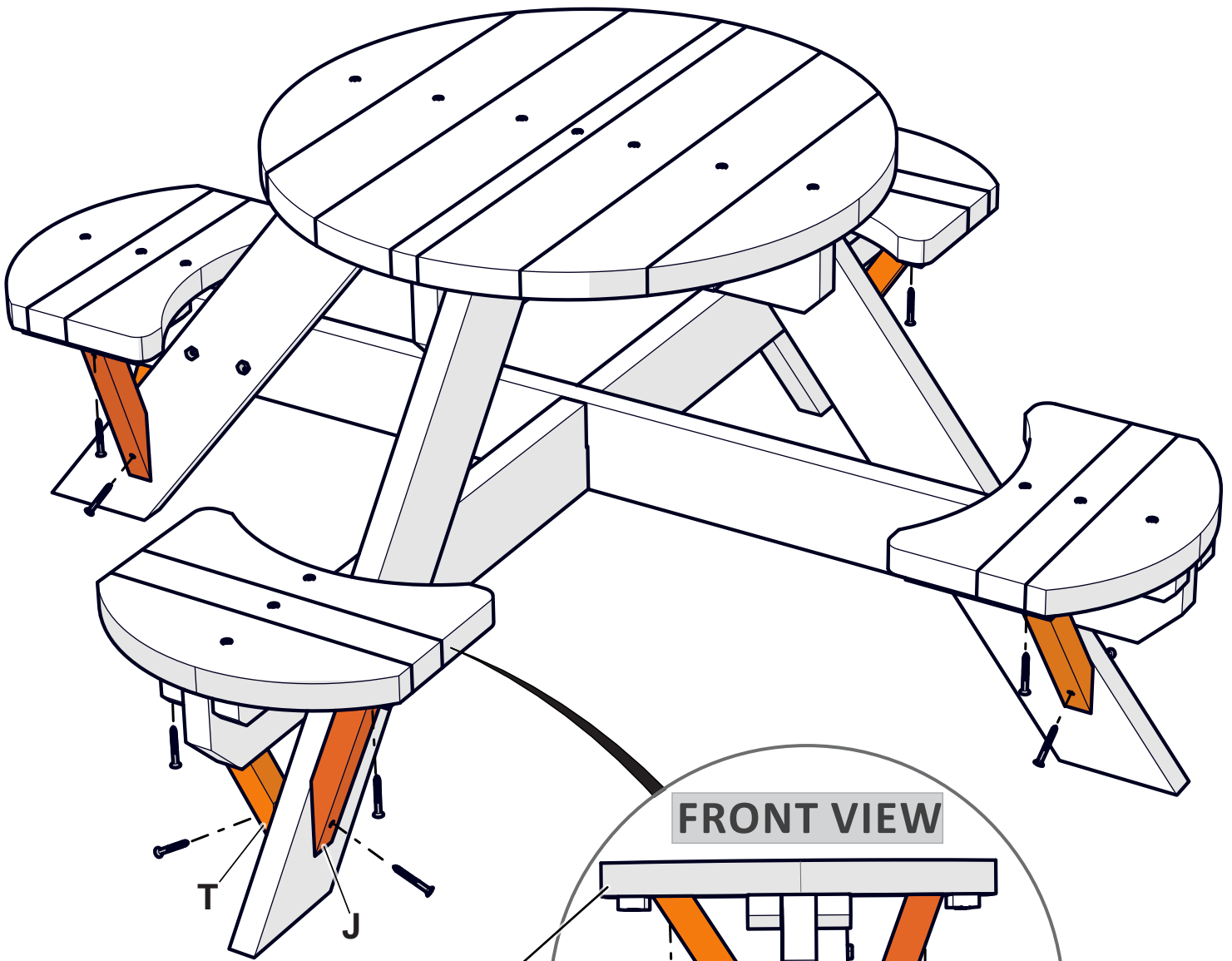
HARDWARE NEEDED (ACTUAL SIZE)



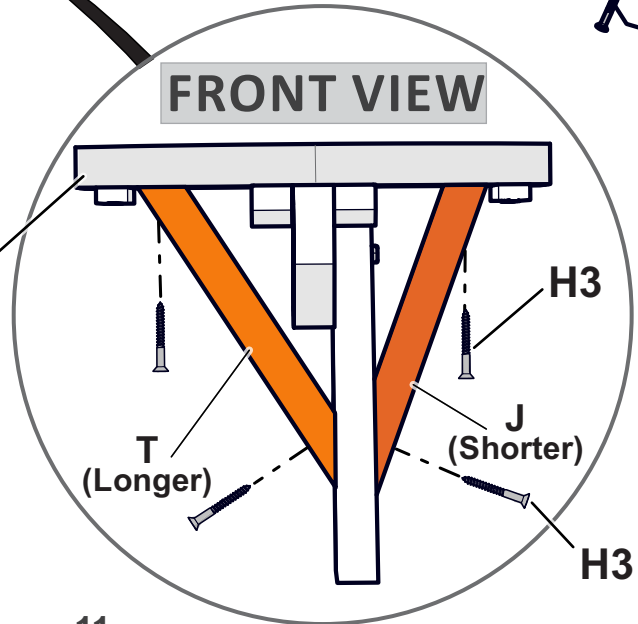
#8 X 1-1/2" WOOD SCREW
QTY. 16

STEP 7

Attach one seat Support **J** & one Seat Support **T** to each Seat Assembly as shown. The longer support **T** goes on the left hand side when facing each seat as shown in Side View.



FRONT VIEW



Seat Assembly **H**

NOTE: Tighten the **H3** screws, but be careful not to split the "T" & "J" Seat Support Braces. Should the brace split, re-enforce with wood glue.