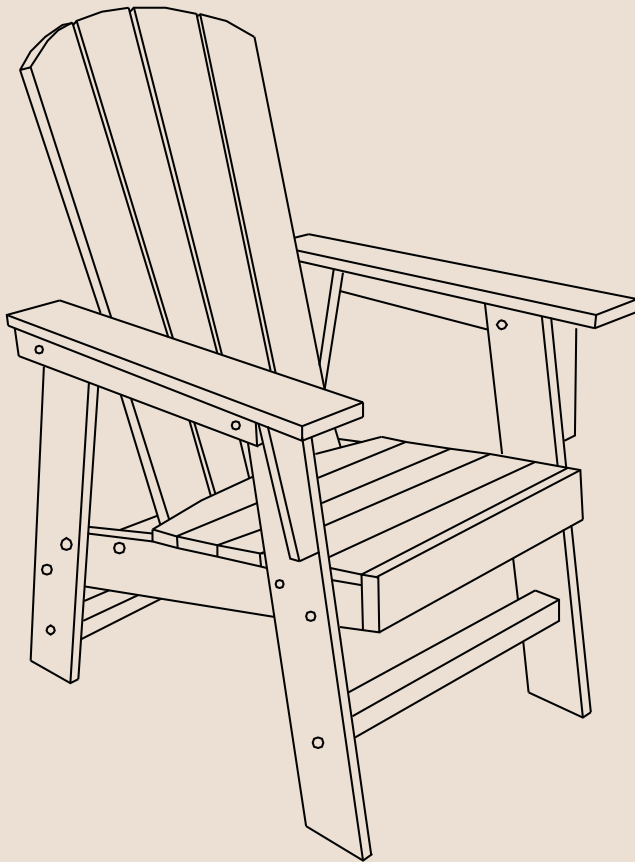


WWT  
WESTINTRENDS  
WWT

DESIGNED IN CALIFORNIA



— KIDS OUTDOOR POLY ADIRONDACK  
CHAIR —

# THANK YOU!

We appreciate you for choosing WestinTrends!

Thank you for letting WestinTrends continue to offer accessible luxury trends, inspired by everyone!

---

## JOIN THE WESTINTRENDS COMMUNITY

Sign up here:

[\*https://westintrends.com/welcome\*](https://westintrends.com/welcome)



## QUESTIONS OR COMMENTS?

If you have questions reach out to  
[cs@westintrends.com](mailto:cs@westintrends.com)

---

FOLLOW, SHARE, & LEARN



## PRODUCT REGISTRATION

[\*https://westintrends.com/apps/product-registration\*](https://westintrends.com/apps/product-registration)



ACCESSIBILITY - COMMUNITY - VALUE - SUSTAINABILITY

## ! NOTICE

### Do not overtighten screws. (Insert all screws before tighten screws.)

- Be careful when assembly, avoid hurting the top surface.
- Clean the table with lukewarm water, mild detergent & soft cloth.
- Firmly secure all bolts before use, do not use any part of this item as a step ladder.
- Reconfirm that all bolts, screws, and nuts are secure every 90 days.
- Do not use or store this item in the proximity of open flame or flammable/combustible chemicals.
- Be aware that some parts are heavy and have sharp edges.
- Do not overtighten screws. (Insert all screws before tighten screws.)
- Please do not exceed the weight limitations of this item.

## TOOLS REQUIRED



CHAIR  
300 LBS  
CAPACITY



1 PERSON  
ASSEMBLY



UP TO 20 MIN.  
ASSEMBLY

## HARDWARE

1 SCREW  
M6 x 100mm



2 PCS

2 SCREW  
M6 x 50mm



6 PCS

3 BOLT  
M6 x 50mm



10 PCS

4 M6 NUT



10 PCS

5 WRENCH



1 PC

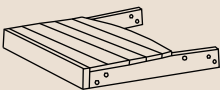
6 ALLEN WRENCH



1 PC

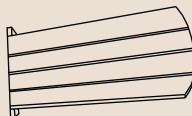
## PARTS

A CHAIR SEAT



1 PC

B CHAIR BACKREST



1 PC

C RIGHT CHAIR ARM

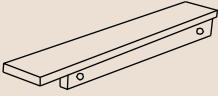


1 PC

## PARTS

D

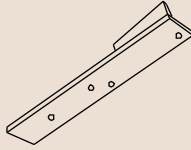
LEFT CHAIR ARM



1 PC

E

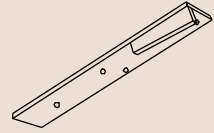
RIGHT CHAIR LEG



1 PC

F

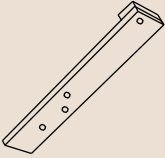
LEFT CHAIR LEG



1 PC

G

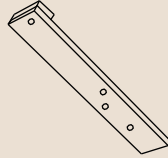
RIGHT REAR LEG



1 PC

H

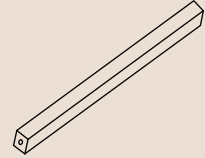
LEFT REAR LEG



1 PC

I

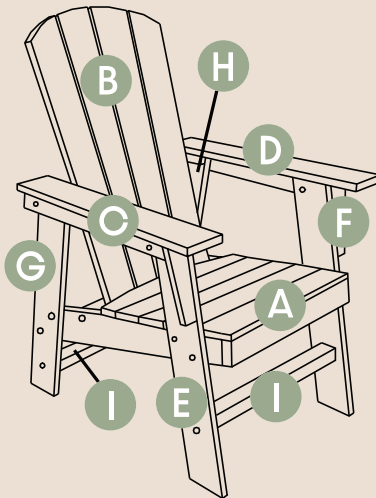
RAIL



2 PCS

## PRODUCT ASSEMBLY - OVERALL VIEW

Look at the overall view of this chair and learn the exact position of each part to be assembled.

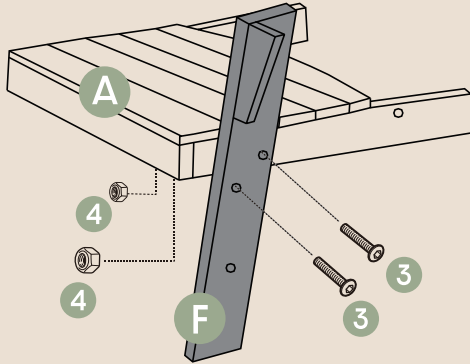


## PRODUCT ASSEMBLY

1

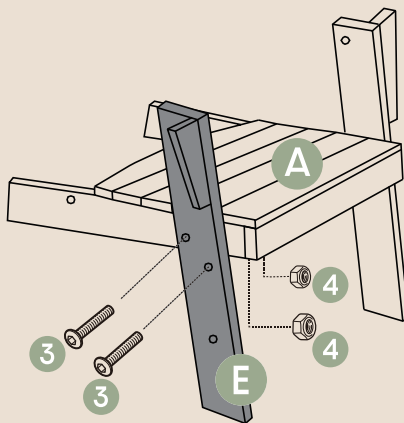
Attach Part F Left Chair Leg to Part A Chair Seat with 2 sets of Hardware #3 Bolt and Hardware #4 Nut.

Do not tighten screws and bolts too much at this stage.



2

Attach Part E Right Chair Leg to the Part A Chair Seat with 2 sets of Hardware #3 Bolt and Hardware #4 Nut.

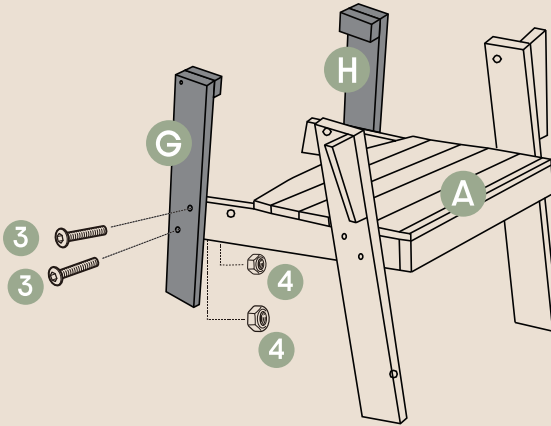


## PRODUCT ASSEMBLY

3

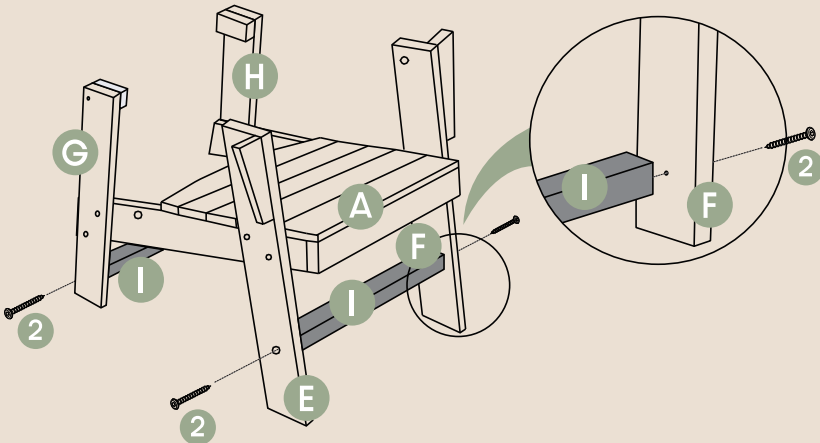
Attach Part G Right Rear Leg to Part A Chair Seat with 2 sets of Hardware #3 Bolt and Hardware #4 Nut.

Do the same of Part H Left Rear Leg to Part A Chair Seat.



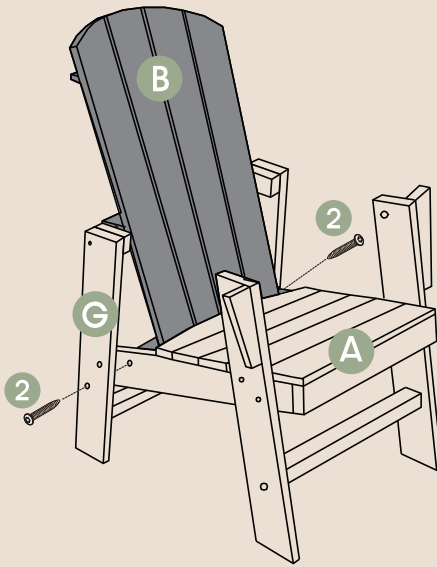
4

Attach Part I Rail to Part E and Part F Chair Legs with 2 pcs of Hardware #2 Screw. Attach Part I Rail to Part G and Part H Rear Legs with 2 pcs of Hardware #2 Screw.



5

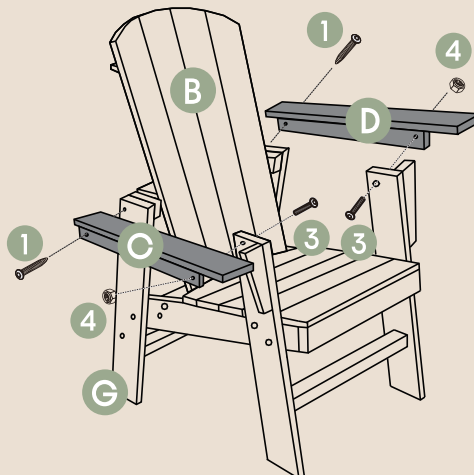
Attach Part B Chair Backrest to Part A Chair Seat with 2 pcs of Hardware #2 Screw.



6

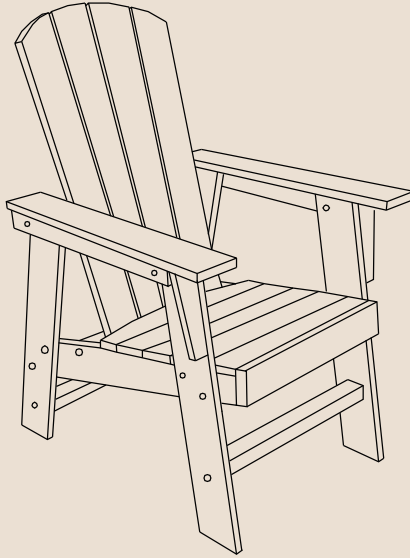
Place Part C Right Chair Arm onto Part E Right Front Leg and Part G Right Rear Leg and fix them with 1 pc of Hardware #1 Screw, 1 set of Hardware #3 Bolt and Hardware #4 Nut.

Do the same to attach another Part D Left Chair Arm to Part F and H Left legs with 1 pc of Hardware #1 Screw, 1 set of Hardware #3 Bolt and Hardware #4 Nut.



7

Tighten all the bolts and lock nuts as well as the screws again to ensure the steady of this chair.





## REGISTRATION & REFUND POLICY

<https://westintrends.com/apps/product-registration>



<https://westintrends.com/policies/refund-policy>



## HAVING TROUBLE

**Not sure how to assemble or missing pieces?**

Please contact our Customer Service Team for assistance at [cs@westintrends.com](mailto:cs@westintrends.com)

**Have Order #, Part # or SKU ready to speed up customer service!**

## CLEANING TIPS

**REGULAR CLEAN:** Use a mixture of warm water and mild soap. Gently scrub the surface with a soft bristle brush to remove any dirt or stains.

**QUICK CLEAN:** You can simply wipe down the HDPE furniture with a damp cloth. The material's resilience makes it resistant to most spills and stains, ensuring a hassle-free maintenance routine.

**Regular cleaning not only preserves the aesthetic appeal of your furniture but also helps extend its lifespan.**

Pressure washer can be used for seriously deep-cleaning - **DO NOT exceed 1500 PSI** - this will remove debris and dirt.