

SPECIFICATIONS

DESCRIPTION

- 6 functions

FLOW

- 7.6 L/min (2 gpm) (80psi) max / 5.7 L/min (1.5 gpm) (45 psi) min
- 5.7 L/min (1.5 gpm) (80psi) max / 4.2 L/min (1.1gpm) (45 psi) min (343-15)
- 6.8 L/min (1.8 gpm) (80psi) max / 5.1 L/min (1.3 gpm) (45 psi) min (343-WS)

STANDARDS

- ASME A112.18.1 / CSA B125.1

WARRANTY

- Most products or parts carry "Limited Warranties" against manufacturing defects. For US customers please visit houseofrohl.com/support and for Canadian customers please visit houseofrohl.ca/support for complete product and finish warranty.

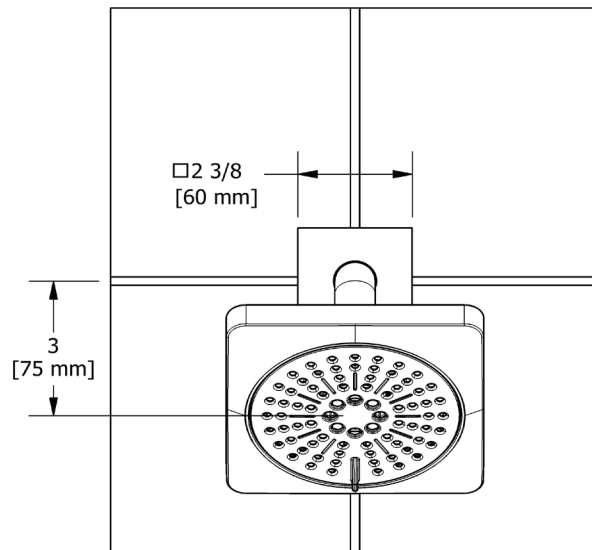
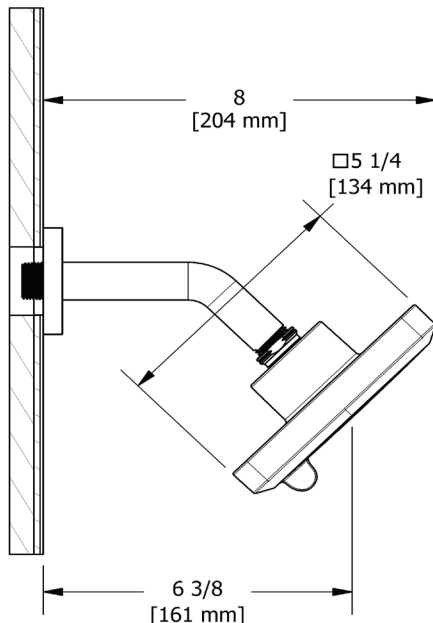


5" 6-Function Showerhead With Arm

MODELS: 343



UPC®



For warranty or additional information, contact:

US Customers

U.S.A.
houseofrohl.com/support
1-800-777-9762

QUEBEC / MARITIMES / WESTERN CANADA
QUÉBEC / MARITIMES / OUEST CANADIEN
QUEBEC / MARITIMOS / CANADA OCCIDENTAL
houseofrohl.ca/support
1-866-473-8442

Canadian Customers

ONTARIO
houseofrohl.ca/support
1-800-287-5354

SPÉCIFICATIONS

DESCRIPTION

- 6 fonctions

DÉBITS DISPONIBLES

- 7.6 L/min (2 gpm) (80psi) max / 5.7 L/min (1.5 gpm) (45 psi) min
- 5.7 L/min (1.5 gpm) (80psi) max / 4.2 L/min (1.1 gpm) (45 psi) min (343-15)
- 6.8 L/min (1.8 gpm) (80psi) max / 5.1 L/min (1.3 gpm) (45 psi) min (343-WS)

CERTIFICATIONS

- ASME A112.18.1 / CSA B125.1

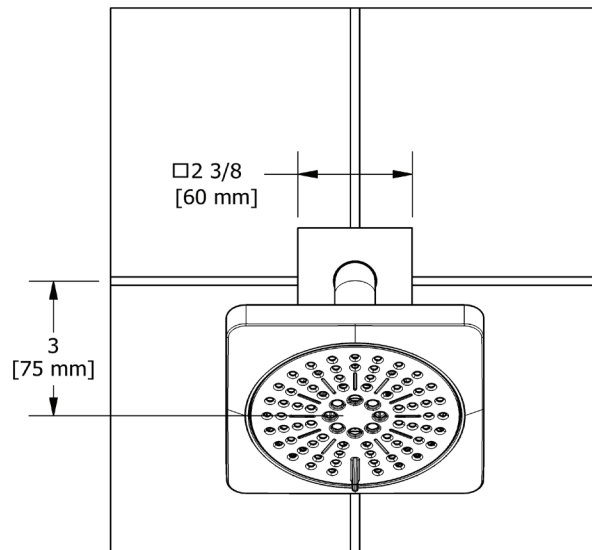
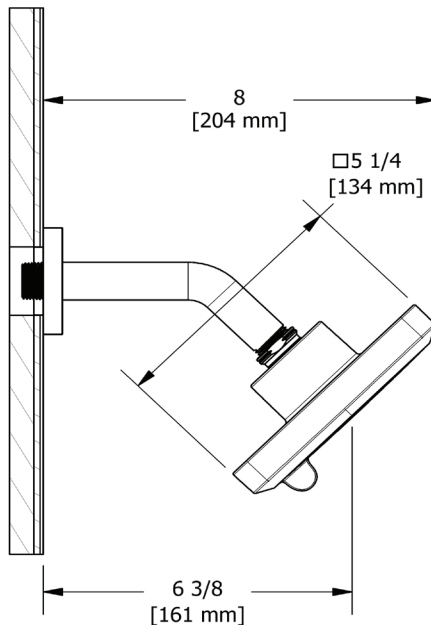
GARANTIE

- La plupart des produits ou pièces comprend des «garanties limitées» contre les défauts de fabrication. Pour les clients des États-Unis: veuillez consulter houseofrohl.com/support; Pour les clients du Canada : veuillez consulter houseofrohl.ca/support pour connaître les conditions complètes de la garantie des produits et finis.



Tête de douche 2 jets avec bras

MODÈLES : 343



For warranty or additional information, contact:

US Customers

U.S.A.
houseofrohl.com/support
1-800-777-9762

QUEBEC / MARITIMES / WESTERN CANADA
QUÉBEC / MARITIMES / OUEST CANADIEN
QUEBEC / MARITIMOS / CANADA OCCIDENTAL
houseofrohl.ca/support
1-866-473-8442

Canadian Customers

ONTARIO
houseofrohl.ca/support
1-800-287-5354

ESPECIFICACIONES

DESCRIPCIÓN

- 6 funciones

FLUJO

- 7.6 L/min (2 gpm) (80psi) max / 5.7 L/min (1.5 gpm) (45 psi) min
- 5.7 L/min (1.5 gpm) (80psi) max / 4.2 L/min (1.1gpm) (45 psi) min (343-15)
- 6.8 L/min (1.8 gpm) (80psi) max / 5.1 L/min (1.3 gpm) (45 psi) min (343-WS)

ESTÁNDARES

- ASME A112.18.1 / CSA B125.1

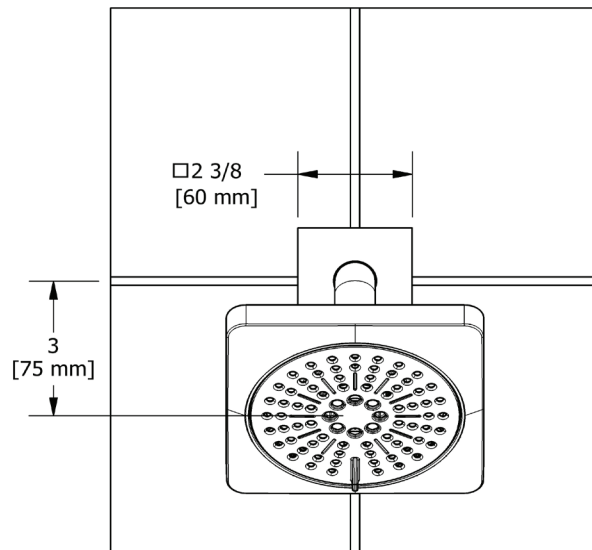
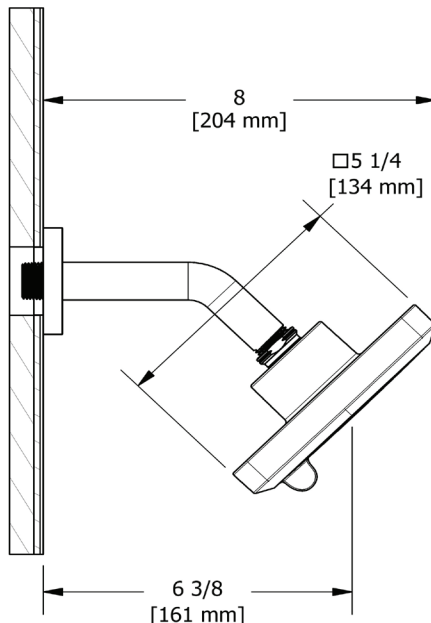
GARANTÍA

- La mayoría de los productos o piezas cuentan con "Garantías Limitadas" por defectos de fabricación. A los clientes en EE. UU. se les recomienda visitar houseofrohl.com/support y a los clientes en Canadá, houseofrohl.ca/support, para consultar las condiciones completas de la garantía de los productos y acabados.



Rociador de 2 chorros con braz

MODELOS: 343



For warranty or additional information, contact:

US Customers

U.S.A.
houseofrohl.com/support
1-800-777-9762

QUEBEC / MARITIMES / WESTERN CANADA
QUÉBEC / MARITIMES / OUEST CANADIEN
QUEBEC / MARITIMOS / CANADA OCCIDENTAL
houseofrohl.ca/support
1-866-473-8442

Canadian Customers

ONTARIO
houseofrohl.ca/support
1-800-287-5354