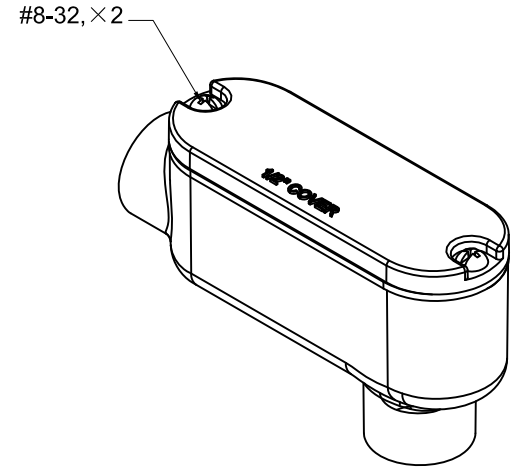
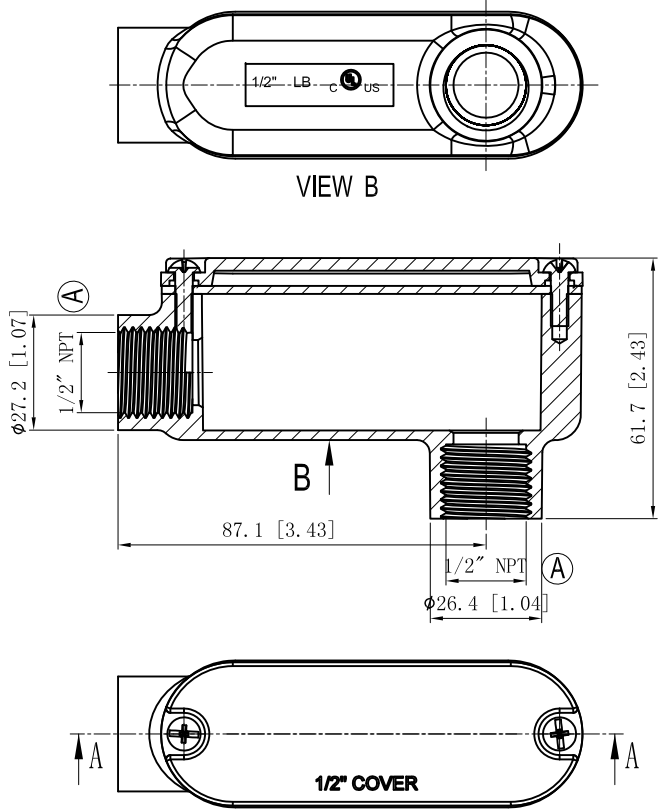


SIDES	BOTTOM
2 PCS 8-32×1/2 Screws Installed	
Material: Aluminum, -Powder Coating Silver Grey	



DESCRIPTION
TRADE REFERENCE TERMS

STANDARD PACKING
10/40 PCS

This data sheet is for reference only .GARVIN INDUSTRIES reserves the right to make changes to the design without prior notice.

GARVIN INDUSTRIES			
"LB" ALUMINUM CONDUIT BODY			
SIZE	DWG NO.		REV
A4	LB50		B
DATA SHEET			