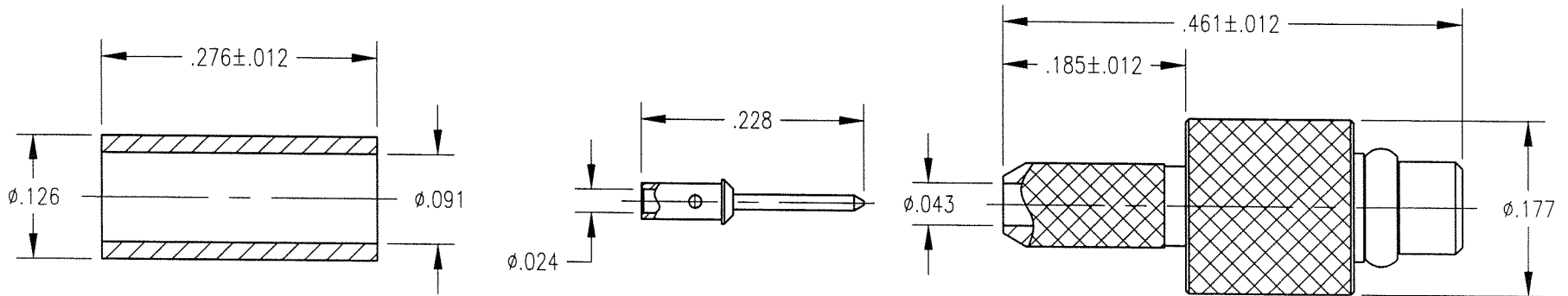



DWG. NO.		470-900-0360Y	
REV	DESCRIPTION	BY	APPD
B	ECN 2548	11/07/00 M.J.P.	[Signature]



NOTES:

- MATERIALS:
CLIP RING: BERYLLIUM COPPER
ALL OTHER METAL PARTS: BRASS
INSULATOR: TEFLON
- FINISH:
CENTER CONTACT: .000030 MIN. GOLD OVER NICKEL
ALL OTHER METAL PARTS: GOLD PLATE
- DESIGNED FOR USE WITH RG-178 CABLE OR EQUIVALENT.

PER ASME Y14.5M-1994 UNLESS OTHERWISE SPECIFIED, DIMENSIONS ARE IN INCHES (MM)				Litton Winchester/Retconn 400 Park Road Watertown, Connecticut 06795	
TOLERANCES: DECIMALS .xx ± .01/0.254 xxx ± .005/0.127 ANGLES ± 2° SCALE: 6:1					
CUSTOMER DRAWING				TITLE	
		MMCX STRAIGHT PLUG			
DRAWN	DATE	CHECKED	DATE	A	470-900-0360Y
JED	10/5/00	JH	10/5/00		
APPROVED	DATE	APPROVED	DATE	SHT.	OF
JMC	10/5/00	KJT	10/5/00	1	1
				REV	B