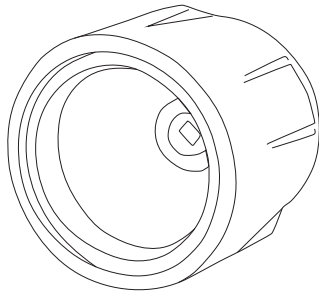




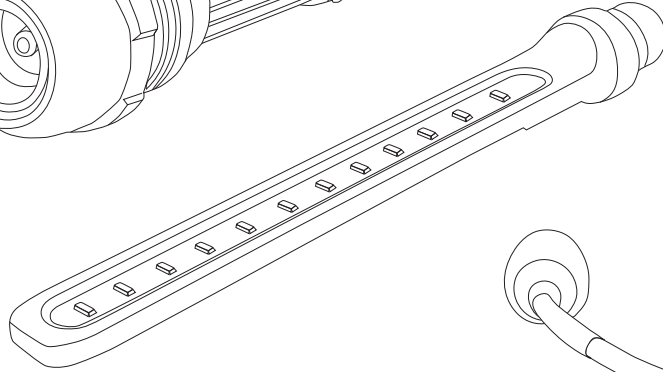
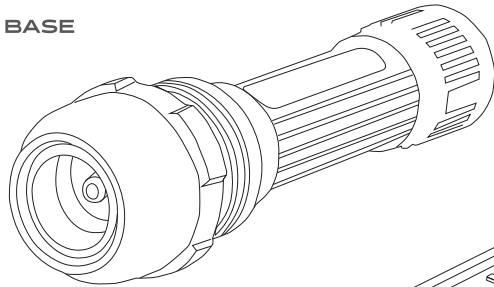
STEELMAN™ PRO

COMMAND POST³™ MODULAR LIGHT

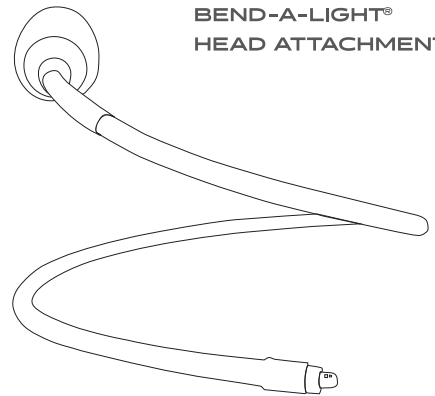
COMMAND POST™
RECHARGEABLE BASE



550 LUMEN
HEAD ATTACHMENT



500 LUMEN SLIM-LITE™
HEAD ATTACHMENT



BEND-A-LIGHT®
HEAD ATTACHMENT

NOTE: CHARGE BATTERY PACK FOR 4-8 HOURS BEFORE INITIAL USE.

BATTERY INSTALLATION:

Twist end cap counter-clockwise and remove.

Insert battery into COMMAND POST™ body, positive (+) end first.

Replace end cap and twist clockwise until tight.

CAUTION: TO PREVENT FIRE AND SERIOUS INJURY, CHARGE ONLY ORIGINAL FACTORY BATTERIES INSIDE THIS FLASHLIGHT.

CHARGING INSTRUCTIONS:

1. Holding COMMAND POST™ body steady, twist charging collar counter-clockwise until the Micro USB charging port is fully revealed.
2. Plug charging cord with USB end into wall charger's USB port, or into alternate powered USB port.
3. Securely plug AC wall charger into wall outlet or power source with 110/120VAC 60Hz output.
4. Plug charging cord with Micro USB end into Micro USB port in COMMAND POST™ body. The LED indicator around the port will turn RED indicating charging in progress.
5. Charging indicator will turn GREEN when battery is fully recharged.

OPERATION:

To affix an attachment, firmly hold the COMMAND POST™ body and pull and hold back the QWIK-LOC™ collar. Insert chosen attachment into the connection port, firmly pressing down until it stops. Release the QWIK-LOC™ Collar to lock the attachment in place.

To remove an attachment, firmly hold the COMMAND POST™ body and pull and hold back the QWIK-LOC™ collar. Pull attachment away from the COMMAND POST™ body and then release QWIK-LOC™ Collar.

NOTE: In order to form an optimal seal and connection between attachment and COMMAND POST™ body, attachment fittings are tight by design. Ensure attachments are firmly in place before use.

CAUTION: TO AVOID DAMAGING THE COMMAND POST™ BODY OR ATTACHMENTS, ALWAYS REMOVE ATTACHMENTS BY GRASPING THE BASE OF THE ATTACHMENT CLOSEST TO THE COMMAND POST™ BODY AND PULLING AWAY FROM THE COMMAND POST™ BODY IN A STRAIGHT DIRECTION.

There are two levels of light output on the STEELMAN™PRO COMMAND POST™ to balance between superior area illumination and longer run time. To turn light on, depress Tail Switch and fully release. Repeat operation to toggle through High, Low, and Off Modes.

MAINTENANCE:

Remove battery from COMMAND POST™ body when long term storage is anticipated. It is recommended to fully discharge and recharge the battery every 3-6 months to prevent over-draining of battery cell.

Keep attachment connection port area clean and free of foreign material and any type of liquid or chemical.

Apply small amount of silicone grease over attachment's o-rings every 2-3 months to prevent o-rings from drying and cracking.

The magnetic end cap will attract metal shaving or foreign material easily, wipe off switch area with clean towel after every use.



**DESIGNED AND
ENGINEERED IN THE USA**

Patent Rights available at www.jsproducts.com/patents

ONE YEAR LIMITED WARRANTY

This product is backed by a one year limited warranty. This warranty covers manufacturer defects and workmanship. The warranty excludes misuse or abuse and normal wear and tear.