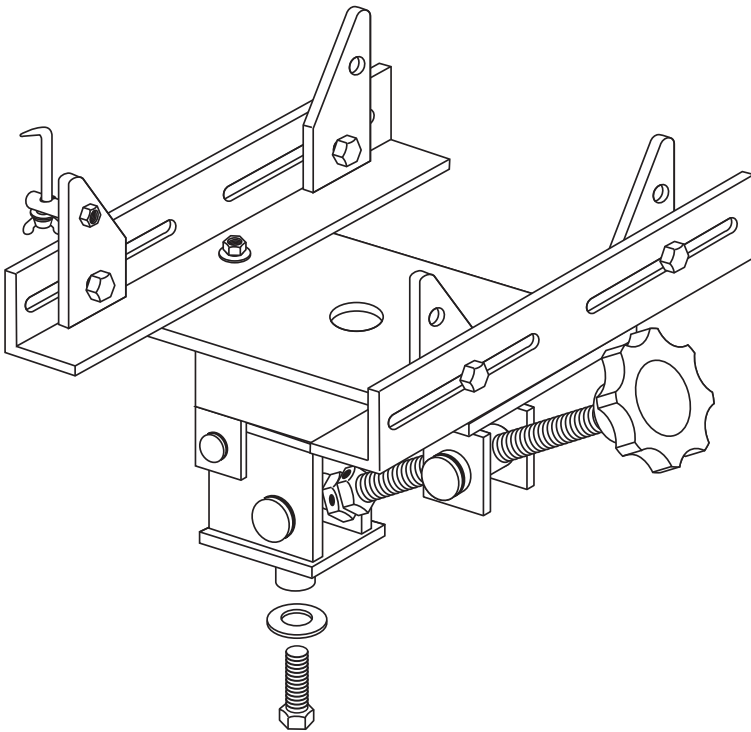


TRANSMISSION ADAPTER 300 LB. CAPACITY

Item Number W41044

OWNER'S MANUAL



Performance Tool®

▲WARNING: READ, UNDERSTAND AND FOLLOW ALL INSTRUCTIONS AND WARNINGS BEFORE OPERATING THIS TOOL. FAILURE TO DO SO MAY RESULT IN PERSONAL INJURY AND/OR PROPERTY DAMAGE AND WILL VOID WARRANTY.

PT®
Performance Tool

▲WARNING. READ, UNDERSTAND AND FOLLOW ALL INSTRUCTIONS AND WARNINGS BEFORE OPERATING THIS PRODUCT. FAILURE TO DO SO MAY RESULT IN PERSONAL INJURY AND/OR PROPERTY DAMAGE AND WILL VOID WARRANTY.

SAFETY GUIDELINES / DEFINITIONS

This instruction manual is intended for your benefit. Please read and follow the safety, assembly and maintenance steps described within to ensure your safety and satisfaction. The contents of this instruction manual are based upon the latest product information available at the time of publication. The manufacturer reserves the right to make product changes at any time without notice.

▲WARNING: Read and understand this entire instruction manual before attempting to assemble, install, operate or maintain this product. Failure to comply with the instructions may result in serious personal injury and/or property damage!

The following signal words are used to emphasize safety warnings that must be followed when using this product:

▲DANGER: Indicates an imminently hazardous situation that, if not avoided, **WILL** result in death or serious injury.

▲CAUTION: Indicates a potentially hazardous situation that, if not avoided, **MAY** result in minor or moderate injury.

▲WARNING: Indicates a potentially hazardous situation that, if not avoided, **COULD** result in death or serious injury.

▲NOTE: Indicates important information, which if not followed, **MAY** cause damage to equipment.

UNPACKING AND INSPECTION

After opening the packaging, unpack your new product and related parts and accessories. Please inspect everything carefully for any damage that may have occurred during transit. Please check it against the expanded parts list. If any parts are missing, please call customer service at 1-800-426-1262 between 6 a.m. and 5 p.m. Pacific time.

▲WARNING: *DO NOT operate this product if damaged during shipment, handling or misuse. Do not operate the product until the parts have been replaced or the fault rectified. Failure to do so may result in serious personal injury or property damage. All damaged parts must be repaired or replaced as needed prior to operating this product. Check to see that all nuts, bolts and fittings are secure before putting this product into service.*

If you have any questions, or require assistance with damaged or missing parts, please contact our customer service department at 1-800-426-1262. Please have the serial number, model number, and date of purchase available for reference when calling.

IMPORTANT SAFETY INFORMATION

WARNING!

Failure to read, understand and follow these warnings may result in loss of load, damage to unit, and/or failure of unit resulting in personal injury or property damage.

WARNING!

Use this transmission adaptor only for the removal and installation of passenger car and light duty truck transmissions. Do not overload beyond 300 lbs. Do not remove or install transmissions with transfer cases attached.

Jack must be in fully lowered position to move load.

Always secure transmission in place with safety chains.

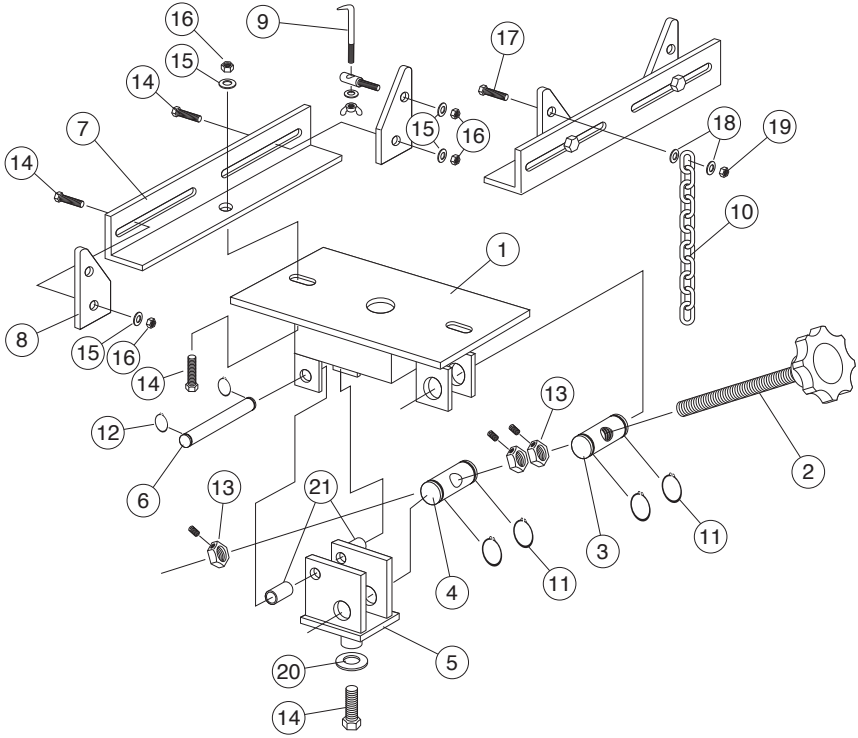
Use only with heavy frame service jack with a removable saddle.

Read, understand and follow all warnings listed in jack instruction manual.

Vehicle must be properly supported before starting repair. Refer to vehicle owner's manual for proper jacking procedures.

This unit is designed for use only on hard level surfaces capable of sustaining the load. Use of unit on other than hard level surfaces can result in instability and possible loss of load.

ASSEMBLY DIAGRAM



EXPANDED PARTS LIST

No.	Description	Qty.	No.	Description	Qty.
1	Platform	1	12	Small Snap Ring	2
2	Adjustable Tilt Knob	1	13	Lock Nut with Set Screw ...	3
3	Threaded Bushing.....	1	14	M10 x 25 Bolt	7
4	Non-Threaded Bushing.....	1	15	M10 Washer.....	7
5	Pivot Frame.....	1	16	M10 Nut	7
6	Pivot Pin.....	1	17	M8 x 25 Bolt	1
7	Mounting Bracket Frame	2	18	M8 Washer.....	2
8	Mounting Bracket	4	19	M8 Nut	1
9	Chain Hook Assembly	1	20	Large Retaining Washer.....	1
10	Safety Chain	2	21	Spacer	2
11	Large Snap Ring	4			

ASSEMBLY INSTRUCTIONS

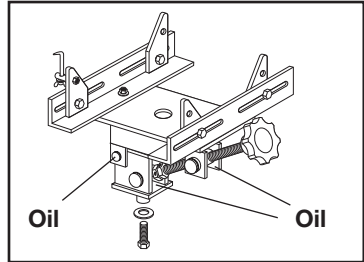
1. Install Threaded Bushing (3), into holes in Platform (1) using Large Snap Rings (11).
2. Screw Adjustable Tilt Knob (2) through threaded bushing approximately half way.
3. Install 2 Lock Nuts (13) approximately 3 in. from end of threaded shaft.
4. Install Non-Threaded Bushing (4) into holes in Pivot Frame (5) using Large Snap Rings (11).
5. Slide Non-Threaded Bushing over onto threaded shaft and install remaining Lock Nut (13).

ASSEMBLY INSTRUCTIONS (CONTINUED)

6. Connect Platform (1) to Pivot Frame (5) using Pivot Pin (6), Small Snap Rings (12) and Spacers (21).
7. Bolt on Mounting Bracket Frames (7) and Mounting Brackets (8).
8. Install Chain Hook Assembly (9) and Safety Chains (10).
9. Install Assembled Adaptor onto Service Jack Saddle Frame securing with Bolt (14) and Washer (20).

CARE & MAINTENANCE

1. Visual inspection must be made before each use of this unit, checking for cracks, cracked welds and missing and/or damaged parts. Any unit that appears to be damaged in any way must be removed from service immediately.
2. BECAUSE OF THE POTENTIAL HAZARDS ASSOCIATED WITH THE MISUSE OF EQUIPMENT OF THIS TYPE, NO MODIFICATIONS SHALL BE MADE TO THE PRODUCT.
3. Keep adaptor well lubricated at all points shown in drawing at right.
4. Replace worn or damaged parts with Performance Tool replacement parts. Be sure that only qualified personnel perform repairs.



LIMITED WARRANTY

PERFORMANCE TOOL® extends only the following warranties, and only to original retail purchasers. These warranties give specific legal rights. Except where prohibited by local law, the law of the State of Washington governs all warranties and all exclusions and limitations of warranties and remedies. There may be other rights which vary from state to state.

PERFORMANCE TOOL® warrants the product to be free from defects in materials and workmanship under normal use and service. A defective product may be returned for a free replacement within 90 days from the date of purchase, provided that product is returned to place of purchase immediately after discovery of defect. After 90 days and up to one year from date of purchase, PERFORMANCE TOOL® will replace at no charge any parts which our examination shall disclose to be defective and under warranty. These warranties shall be valid only when a sales receipt showing the date of purchase accompanies the defective product or defective part (s) being returned. For part (s) after 90 days, please remit your request, postage prepaid to:

PERFORMANCE TOOL, P.O. Box 88259 Tukwila, WA 98138

These warranties exclude blades, bits, punches, dies, bulbs, fuses, hoses, and other consumables which must be replaced under normal use and service. These warranties shall not apply to any product or part which is used for a purpose for which it is not designed, or which has been repaired or altered in any way so as to affect adversely its performance or reliability, nor shall these warranties apply to any product or part which has been subject to misuse, neglect, accident or wear and tear incident to normal use and service.

PERFORMANCE TOOL® does not authorize any other person to make any warranty or to assume any liability in connection with its products.

Except for warranties of title and the limited express warranties set forth above, PERFORMANCE TOOL® makes no express or implied warranties of any kind with respect to its products. In particular, PERFORMANCE TOOL® makes no implied warranty of merchantability and no implied warranty of fitness for any particular purpose, except that for goods purchased primarily for personal, family or household use and not for commercial or business use. PERFORMANCE TOOL® makes an implied warranty of merchantability (and, if otherwise applicable, an implied warranty of fitness for a particular purpose), but only for the particular qualities or characteristics, and for the duration, expressly warranted above.

The laws on limitation of implied warranties may differ from state to state, so the above limitations may not apply in all cases.

PERFORMANCE TOOL® shall not be liable for consequential, incidental or special damages resulting from or in any manner related to any product, or to the design, use, or any inability to use the product. The sole and exclusive remedy for a defective product or part shall be the repair, or replacement thereof as provided above. The laws on limitation of remedies or on consequential, incidental or special damages may vary from state to state, so the above limitations may not apply in all cases.