

ITEM# 80385

Mission 25" H, 46" W Corner W/Storage

Leick
Home
SINCE 1910

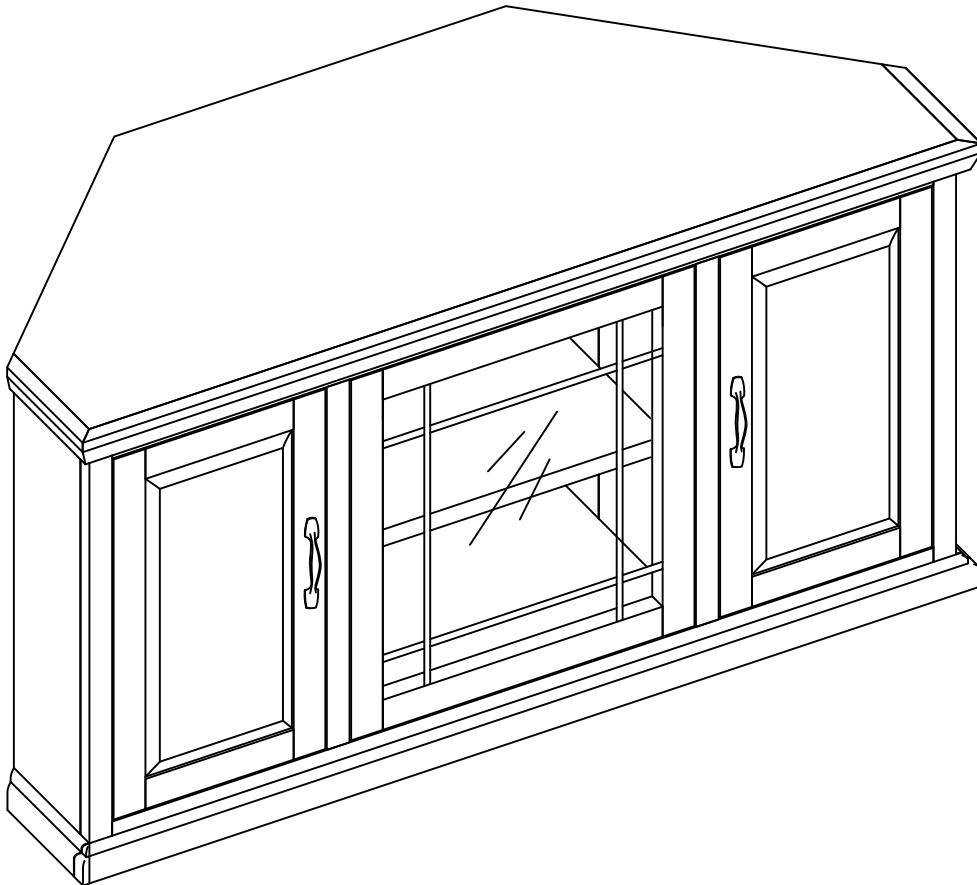
2219 S. 19th St.

Sheboygan, WI 53081



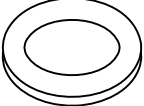
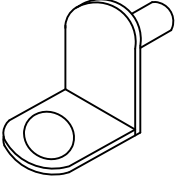
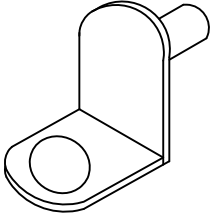


Ph: 920-451-4060

Fax: 920-451-4063

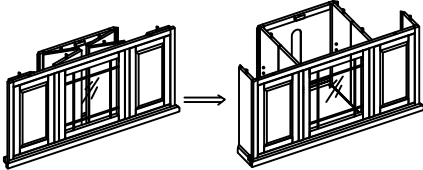
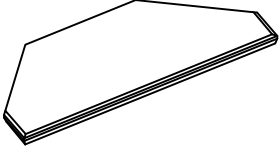
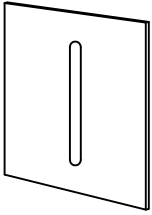
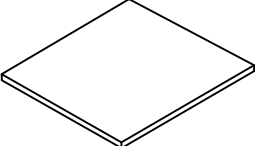
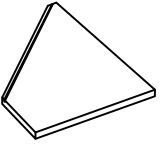
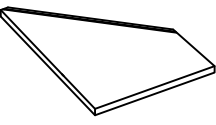
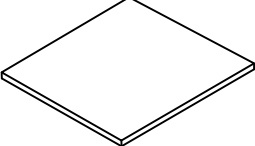
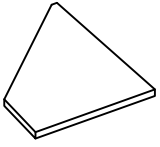
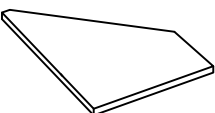
info@leickfurnituresince1910.com



Hardware List

	Item	Description	Qty
a		Bolt 1/4"*1-1/8"	3PCS
b		Allen wrench	1PC
c		Washer 1/4"*12mm	3PCS
d		Shelf metal clip	12PCS
e		Bigger shelf metal clip	2PCS
f		Door Pull	2PCS
g		Machine screw for door pull 5/32"*3/4"	4PCS

Parts List

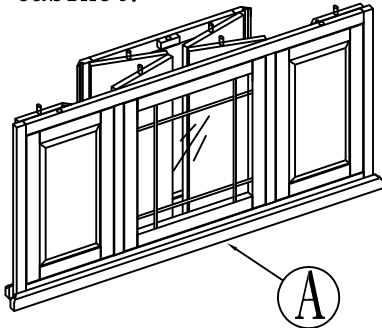
Item	Description	Qty
A	Cabinet	1PC
		
B	Top Panel	1PC
		
C	Side Back Panel	2PCS
		
D	Middle Bottom Panel	1PC
		
E	Left Side Bottom Panel	1PC
		
F	Right Side Bottom Panel	1PC
		
G	Middle Adjustable Shelf	1PC
		
H	Left Side Adjustable Shelf	1PC
		
I	Right Side Adjustable Shelf	1PC
		

Assembly Instructions

Two person assembly recommended.

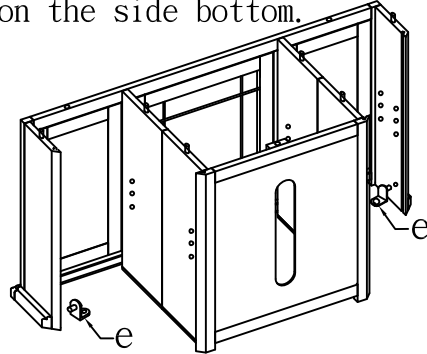
step 1

Unfold Cabinet.



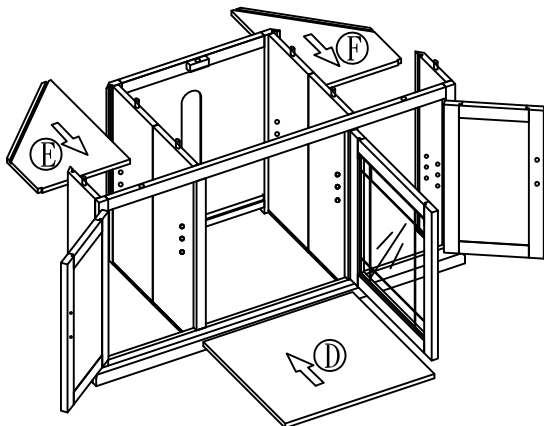
step 2

Install two bigger shelf clips on the side bottom.



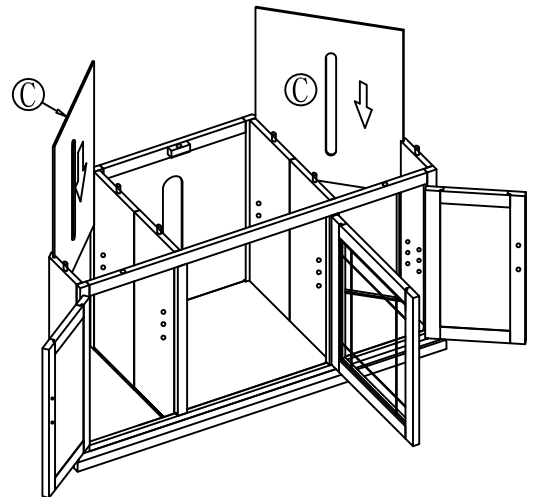
step 3

Insert the center bottom panel first, then insert the side bottom panel.



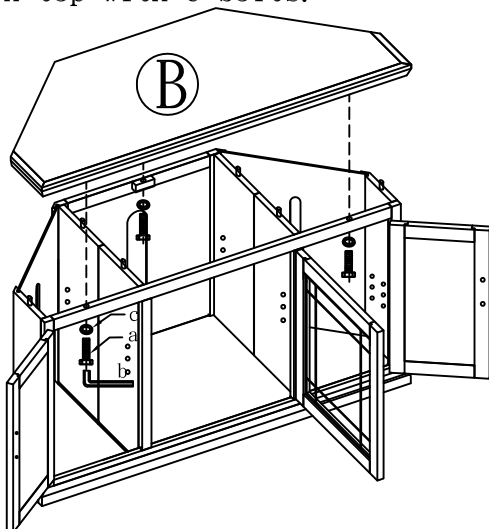
step 4

Insert two side back panels.



step 5

Bolt on top with 3 bolts.



step 6

Install shelf clips and insert shelves and door pulls.

