

SINGLE-SIDED LED ROUND ARM WALL MIRROR

DESCRIPTION

SINGLE SIDED MIRROR

- 5X MAGNIFICATION

SWITCHABLE LIGHTING

- 3500 KELVIN WARM WHITE LED LIGHT
- 5500 KELVIN COOL WHITE LED LIGHT
- HARD WIRED

MATERIALS

- OPTICAL GLASS
- BRASS OVER STEEL
- FINISH AS SELECTED, LACQUER OVER NICKEL COATING

WEIGHT

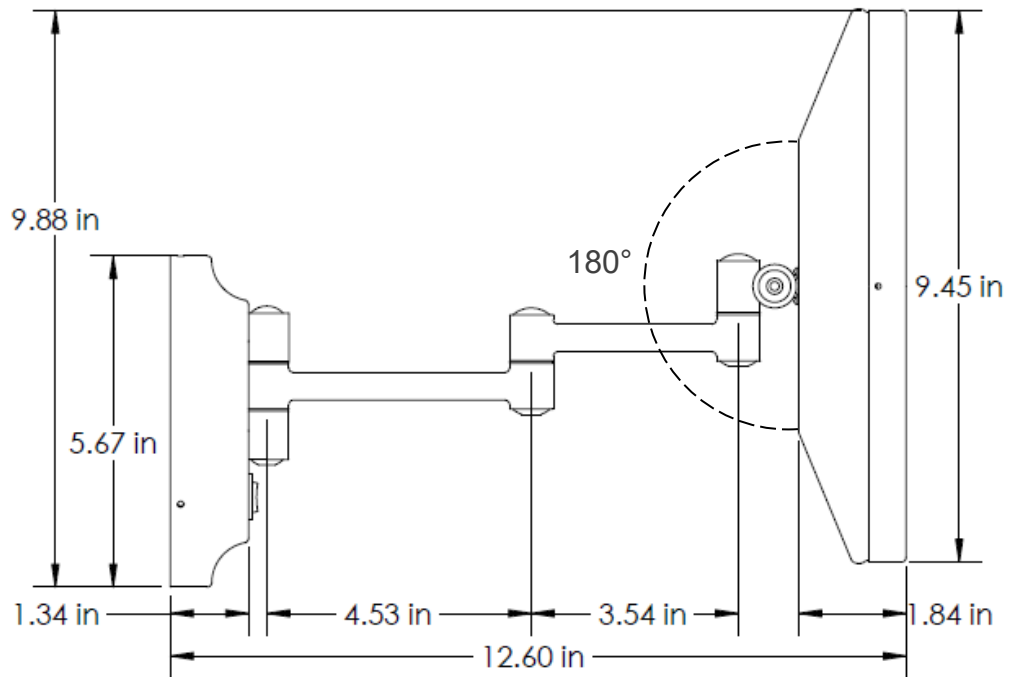
3.0 LBS

MODEL NUMBERS

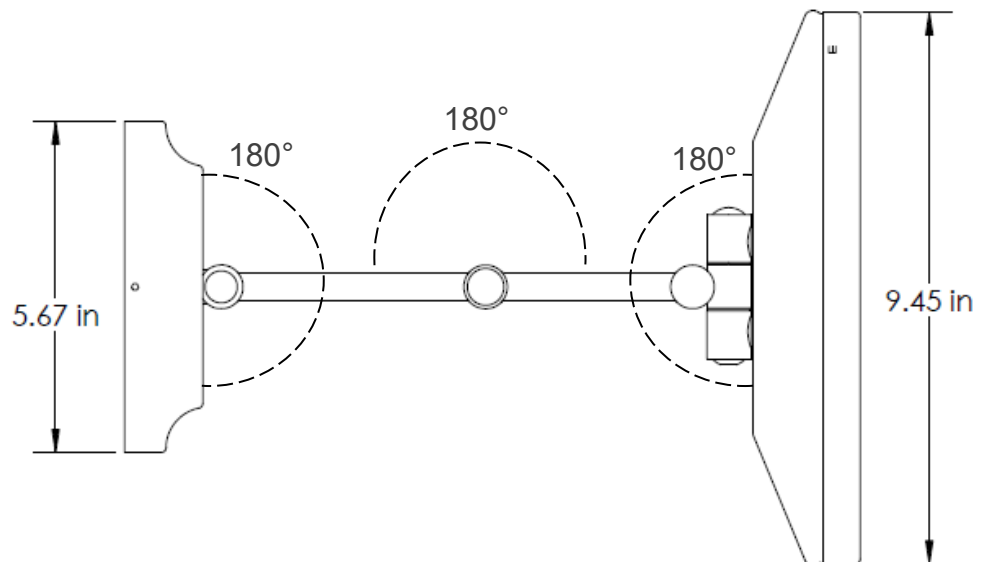
- 944-2-45HW
CHROME
- 944-2-75HW
BRUSHED NICKEL
- 944-2-85HW
POLISHED NICKEL
- 944-2-135HW
BRUSHED BRASS
- 944-2-155HW
MATTE BLACK

REQUIRED FOR APPROVAL

- FINISH SAMPLE
- PROTOTYPE/ SAMPLE
- SHOP DRAWINGS



SIDE VIEW



TOP VIEW



Changing the Way You See Yourself