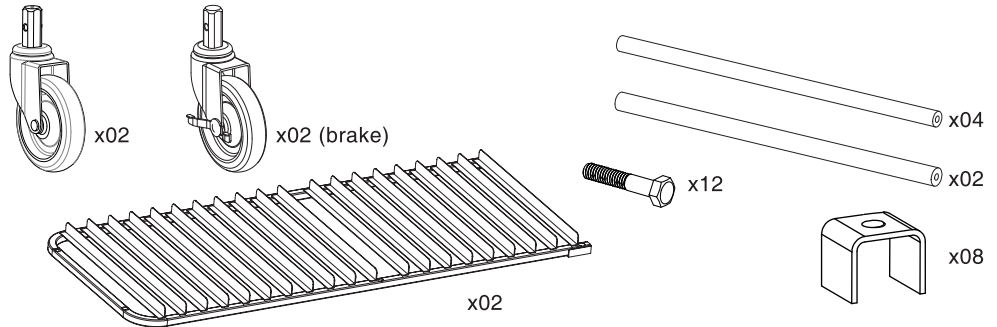


CONTENTS

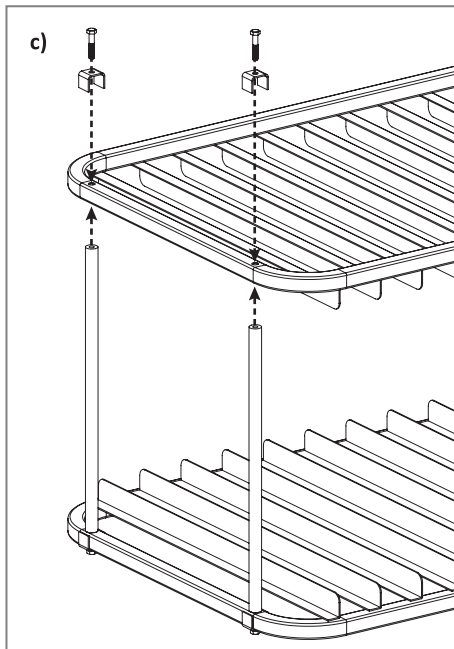
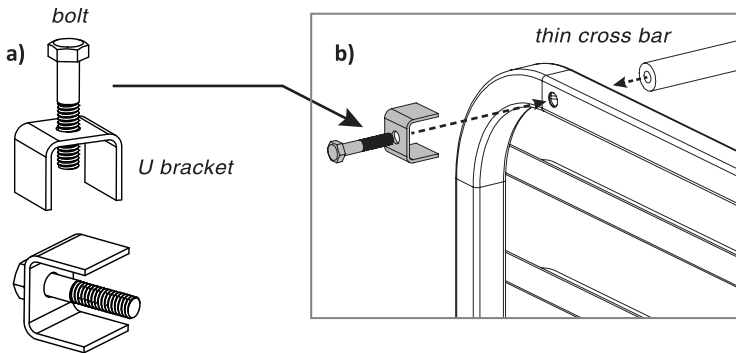
- 04 Caster Wheels - Two Standard + Two with Brakes
- 02 Slatted Side Racks
- 06 Supporting Cross Bars - Two Thick + Two Thin
- 12 Bolts - 5/16 x 1-5/8
- 08 Support U-Brackets



*Contents are not to scale to each other

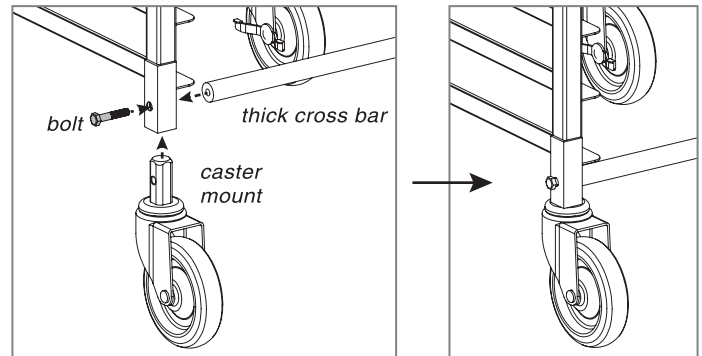
1 ASSEMBLE THE RACK

- Preassemble the provided hardware:
 - >> Insert a bolt into U-bracket.
- Insert each bolt assembly through the hole on side rack and align each cross bar with the same hole on the opposite side. Thread bolt into hole on bar and hand tighten.
 - >> Repeat for the other bars on both side racks.
- Align the left with the right side rack. Insert bolt assembly and attach side racks together.

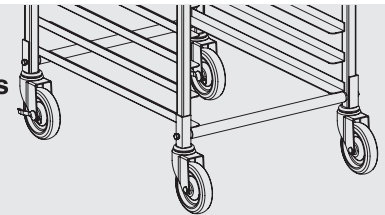


2 ATTACH CASTER WHEELS

- While assembled rack is laying flat, insert caster into bottom of rack.
- Insert bolt into side of rack and through caster mount, and hand tighten.
- Repeat for remaining caster wheels.



NOTE:
Mount the two casters with brakes together on the same end (either front or back).



3 FINAL CHECK

- Stand the rack upright on a level surface/floor.
- All casters must be touching the floor evenly.
- Firmly tighten all bolts to ensure they are secure.



CAUTION
DO NOT OVERTIGHTEN BOLTS.

Overtightening may cause stripped threads and the bolt will not function properly.