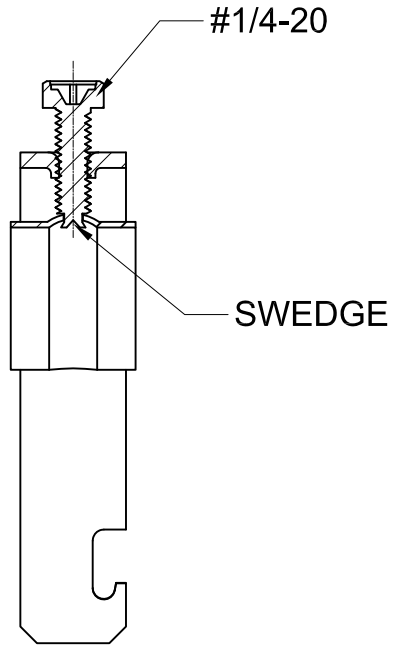
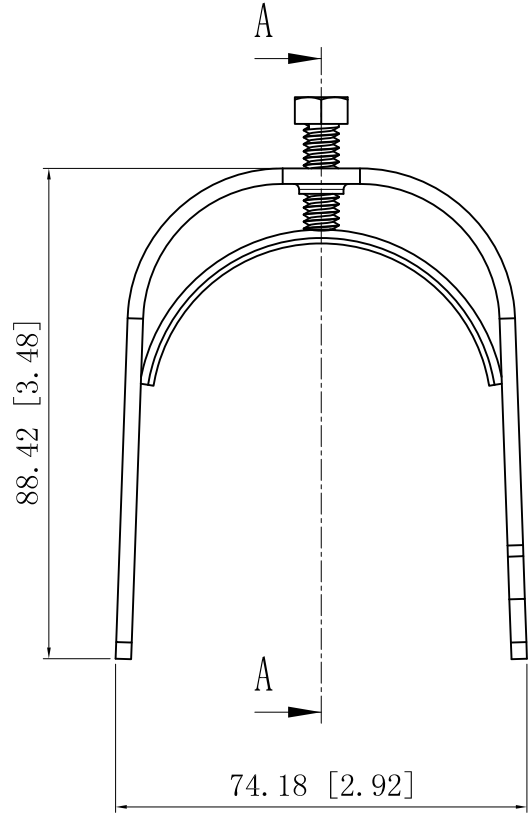
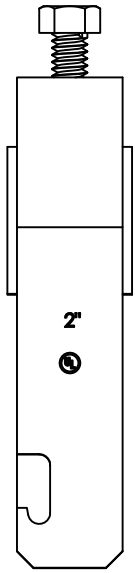
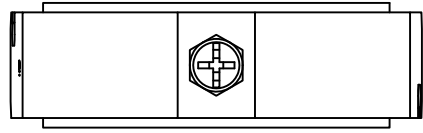
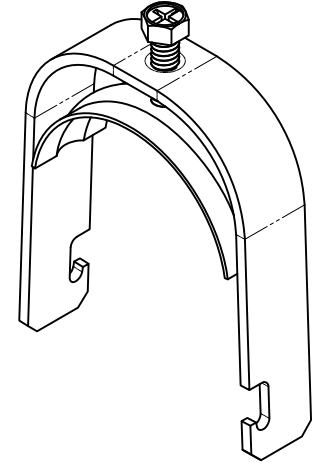


SIDES	BOTTOM
Material: Steel-(0.104"-0.110")-Galvanized or C.R.S and zinc plated	



CUTAWAY VIEW A-A



DESCRIPTION
TRADE REFERENCE TERMS

STANDARD PACKING
25 PCS

This data sheet is for reference only .GARVIN INDUSTRIES reserves the right to make changes to the design without prior notice.

GARVIN INDUSTRIES		
TITLE ONE-PIECE STRUT CLAMPS		
SIZE A4	DWG NO. OPSC-200R	REV A
DATA SHEET		