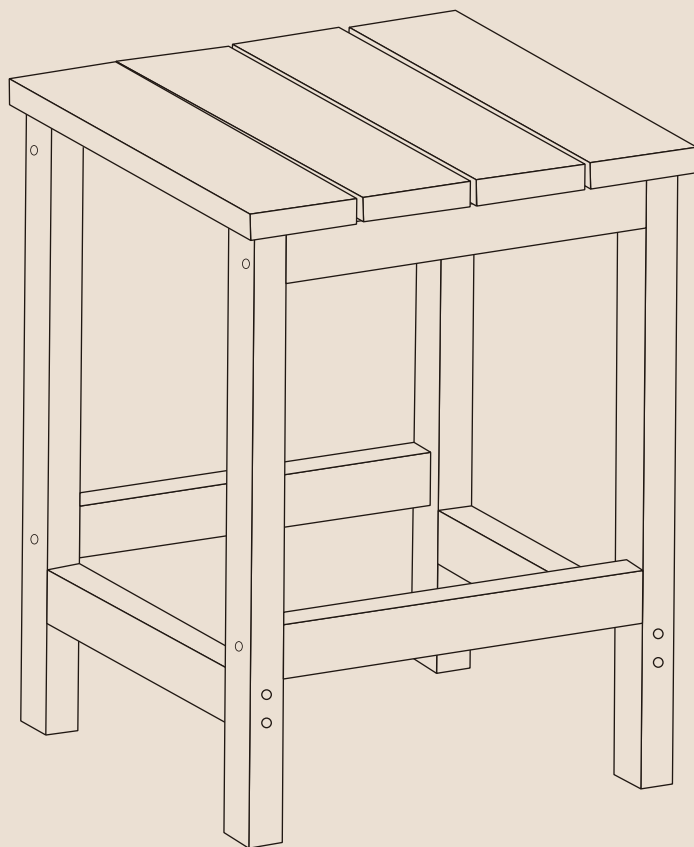


WWT
WESTINTRENDS
WWT

DESIGNED IN CALIFORNIA



— OUTDOOR POLY ADIRONDACK
SIDE TABLE —

THANK YOU!

We appreciate you for choosing WestinTrends!

Thank you for letting WestinTrends continue to offer accessible luxury trends, inspired by everyone!

JOIN THE WESTINTRENDS COMMUNITY

Sign up here:

[*https://westintrends.com/welcome*](https://westintrends.com/welcome)



QUESTIONS OR COMMENTS?

If you have questions reach out to
cs@westintrends.com

FOLLOW, SHARE, & LEARN



PRODUCT REGISTRATION

[*https://westintrends.com/apps/product-registration*](https://westintrends.com/apps/product-registration)



ACCESSIBILITY - COMMUNITY - VALUE - SUSTAINABILITY

! NOTICE

Do not overtighten screws or bolts. (Insert all screws before tighten screws.)

- Please do not exceed the weight limitations of this item.
- Do not stand on or use any part of this item as a step ladder.
- Firmly secure all bolts, screws and nuts before use.
- Reconfirm that all bolts, screws, and nuts are secure every 90 days.
- Do not use or store this item in the proximity of open flame or flammable/combustible chemicals.
- Avoid using strong power tool for avoiding to crack the PE board when assembling.

TOOLS REQUIRED



ALLEN WRENCH
(PROVIDED)



TABLE
180 LBS
CAPACITY



1 PERSON
ASSEMBLY



UP TO 20 MIN.
ASSEMBLY

HARDWARE

1

BOLT
M6 x 45mm

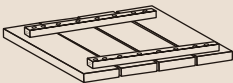


8 PCS

PARTS

A

TABLE TOP



1 PC

B

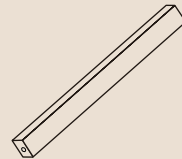
TABLE LEG



2 PCS

C

WOODEN BRACE



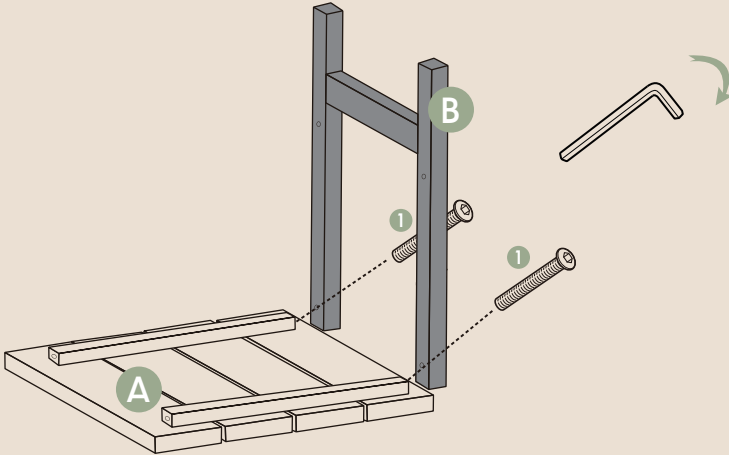
2 PCS

PRODUCT ASSEMBLY

1

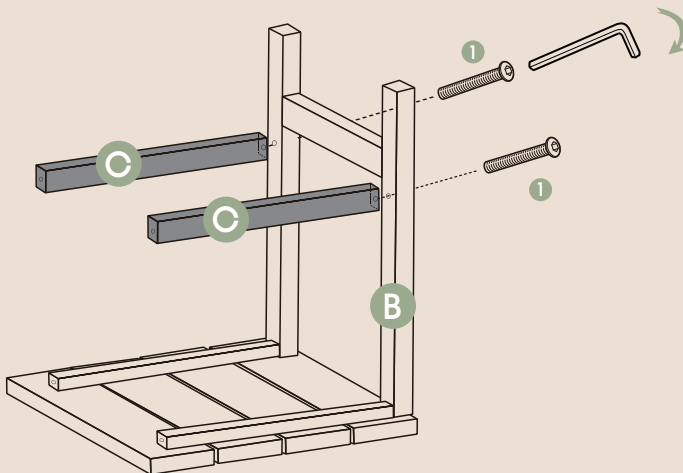
Attach Part B Table Leg to Part A Table Top with 2 pcs of Hardware #1 Bolt using an Allen Wrench.

Do not tighten bolts too much at this stage.



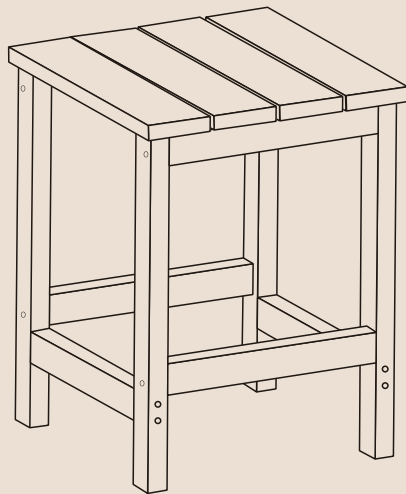
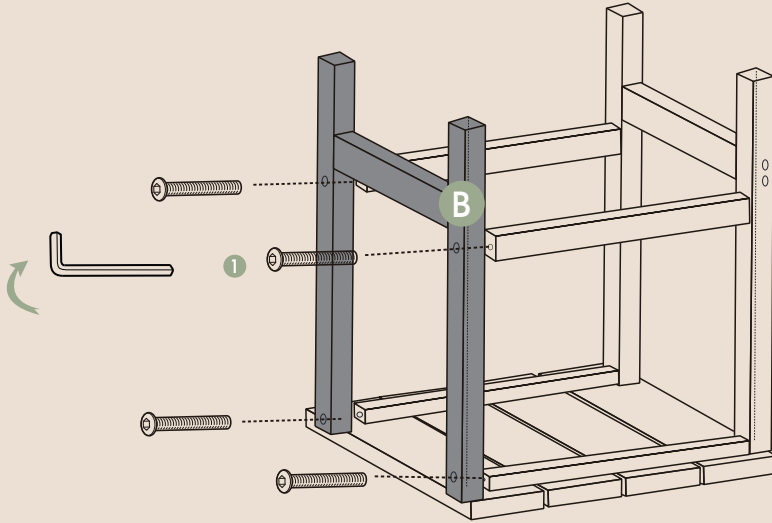
2

Attach Part C Table Wooden Braces to Part B Chair Legs with 2 pcs of Hardware #1 Bolt.



3

Attach Part B Table Leg to Part A Table Top and Part C Wooden Brace with 2 pcs of Hardware #1 Bolt using an Allen Wrench.



REGISTRATION & REFUND POLICY

<https://westintrends.com/apps/product-registration>



<https://westintrends.com/policies/refund-policy>



HAVING TROUBLE

- **Not sure how to assemble or missing pieces?**

Please contact our Customer Service Team for assistance at cs@westintrends.com

Have Order #, Part # or SKU ready to speed up customer service!

CLEANING TIPS

REGULAR CLEAN: Use a mixture of warm water and mild soap. Gently scrub the surface with a soft bristle brush to remove any dirt or stains.

QUICK CLEAN: You can simply wipe down the HDPE furniture with a damp cloth. The material's resilience makes it resistant to most spills and stains, ensuring a hassle-free maintenance routine.

Regular cleaning not only preserves the aesthetic appeal of your furniture but also helps extend its lifespan.

Pressure washer can be used for seriously deep-cleaning - **DO NOT exceed 1500 PSI** - this will remove any debris and dirt.