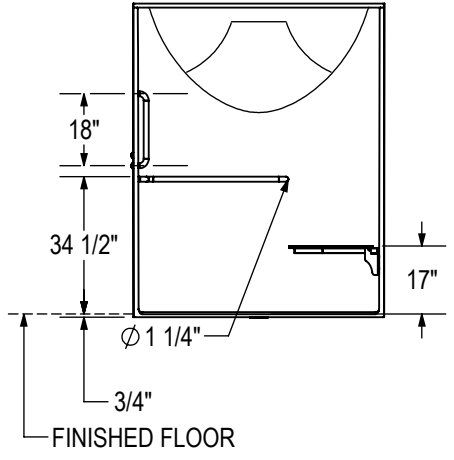
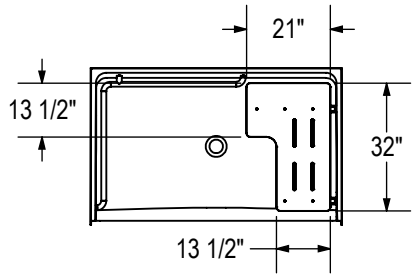
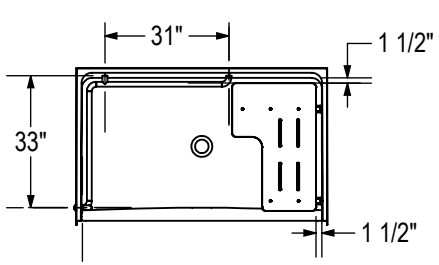


BASE MODEL ANSI L-SHAPED GRAB BAR & SEAT
LEFT SIDE SHOWN
RIGHT SIDE SYMMETRICAL



All dimensions are approximate. Structure measurements must be verified against the unit to ensure proper fit.