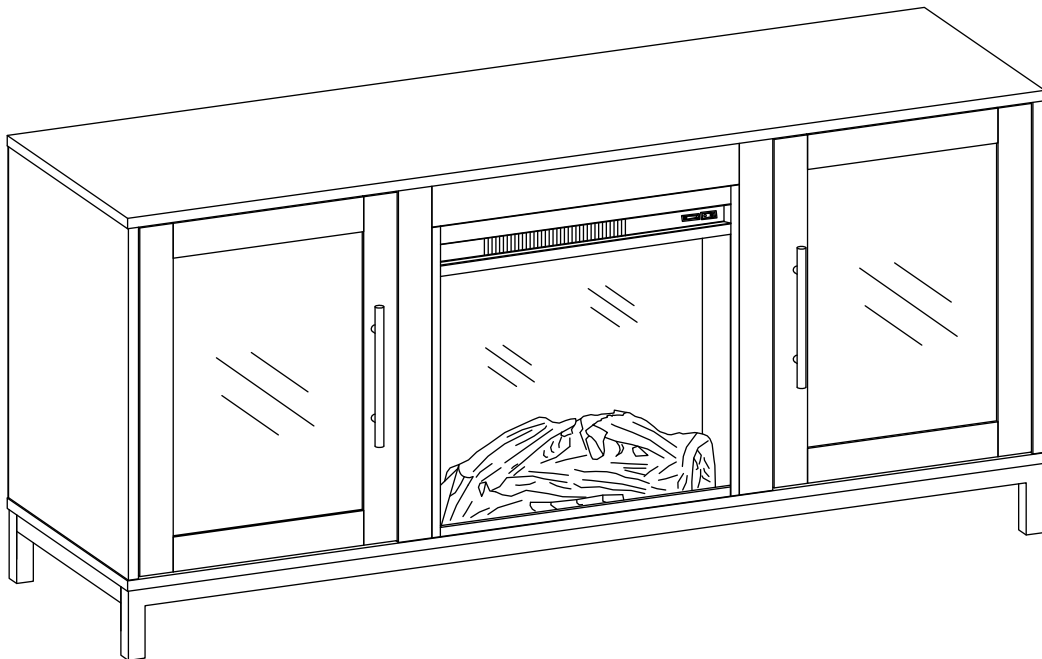


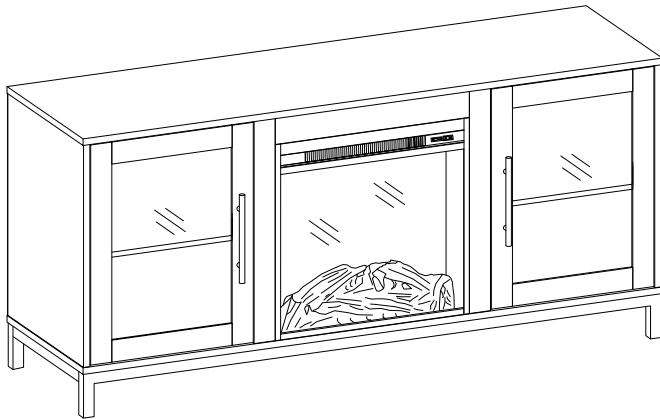
VERSANORA
54IN FIREPLACE TV STAND WITH 18IN INSERT

VNF-00100

TIME SAVER!
3D Interactive Instruction



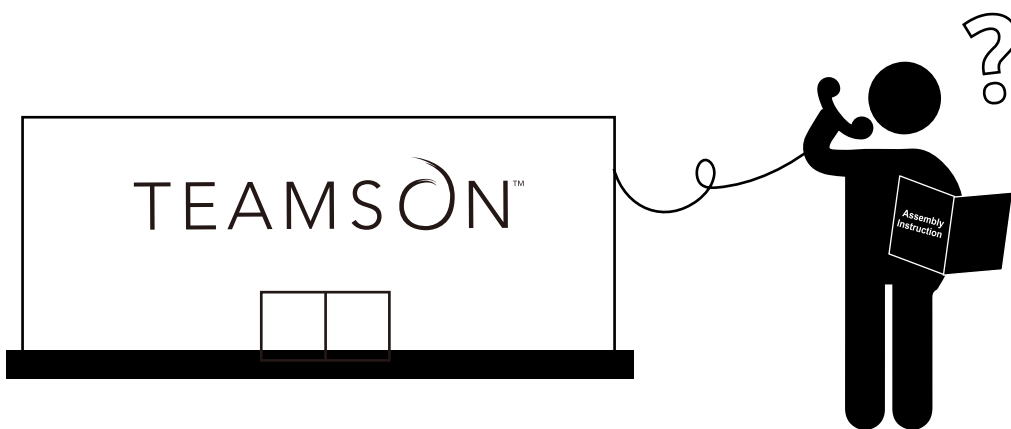
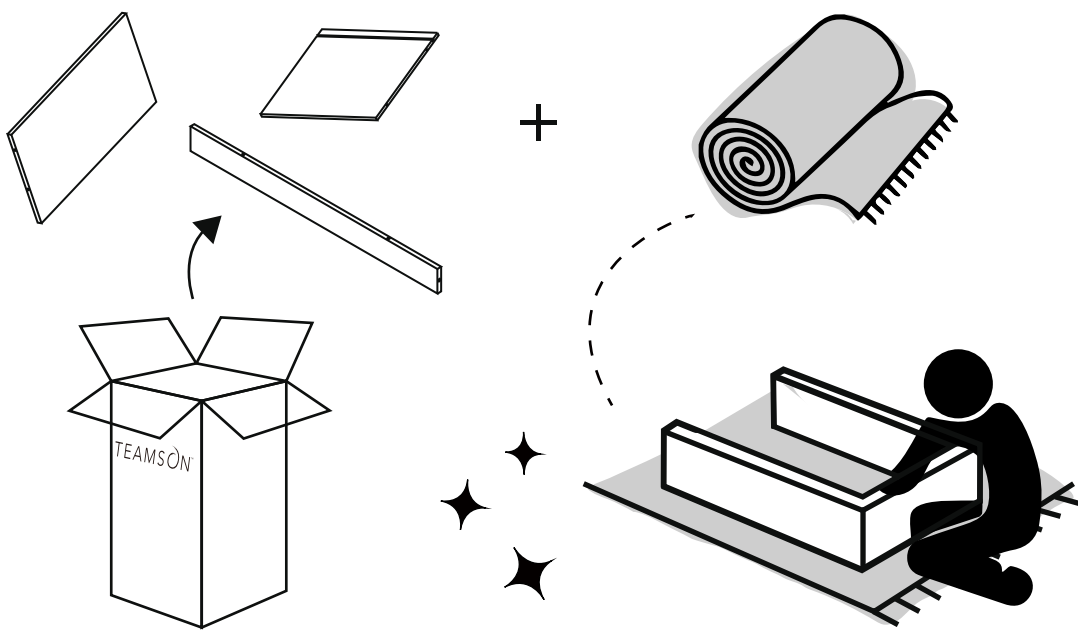
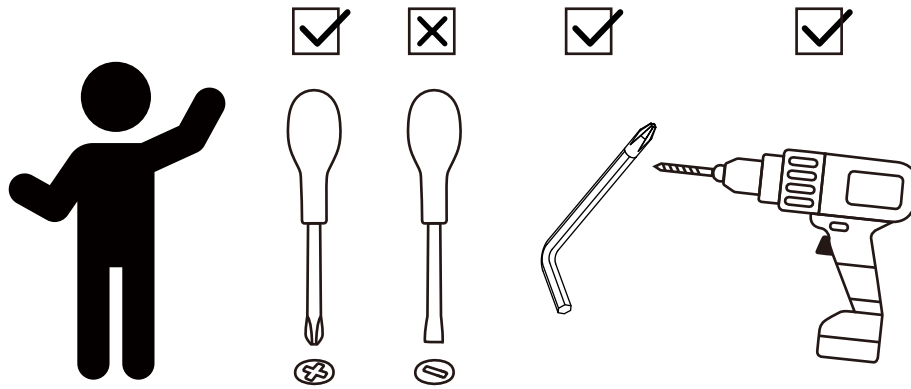
MANUFACTURER: TEAMSON HOME/VERSANORA
MODEL #: VNF00100 VERSANORA 54in FIREPLACE TV STAND WITH 18IN INSERT



TOP PANEL FITS UP TO MOST 65in/165.1cm
DIAGONAL FLAT PANEL TVS
MAXIMUM LOAD 80lb/ 36.3kg.

SHELF MAXIMUM LOAD 22.7 kg / 50 lb

WARNING THIS UNIT IS NOT INTENDED FOR USE WITH CRT TVS. USE ONLY WITH FLAT PANEL TVS AND AUDIO/VIDEO EQUIPMENT MEETING RECOMMENDED SIZE AND WEIGHT LIMITS. NEVER USE WITH LARGER/HEAVIER THAN RECOMMENDED FLAT PANEL TVS OR EQUIPMENT. TO AVOID INSTABILITY, PLACE FLAT PANEL TV IN THE CENTER OF THE UNIT; THE BASE OF THE TELEVISION MUST BE ABLE TO REST ON THE SUPPORTING SURFACE OF THE UNIT WITHOUT OVER-HANGING THE EDGES. IMPROPERLY POSITIONED FLAT PANEL TVS, OR FLAT PANEL TVS INCLUDING OTHER EQUIPMENT THAT EXCEED RECOMMENDED SIZE AND WEIGHT LIMITS COULD FALL OFF OR BREAK THE UNIT, CAUSING POSSIBLE SERIOUS INJURY. FOR USE WITH TELEVISIONS WEIGHING 80 LBS (36.3 KG) OR LESS. USE WITH HEAVIER TELEVISIONS MAY RESULT IN INSTABILITY CAUSING TIP OVER RESULTING IN DEATH OR SERIOUS INJURY.



** Got questions? Please have your product code (on the first page of this instruction, e.g. TD-12345A) and the order number ready, give us a call or email us through our customer care support! We are always ready to assist you!

TEAMSON HOME



Warranty sign up

www.teamsonhome.com

Serving you well gives us great joy!

USA +1(800)935-3959

Mon - Fri 10:00am ~ 2:00pm EST

✉ support@teamson.com

EU +44(0)1952-916-050

Mon - Thu 9:00am ~ 5:00pm GMT

Friday 9:00am ~ 4:00pm GMT

✉ support@teamson.co.uk

ASIA 深圳办公室:

+86(0755)8885-3558.分机号108

Mon - Sat 9:00am ~ 5:00pm GMT+8

✉ sales_ec@teamson.com

台北办公室:

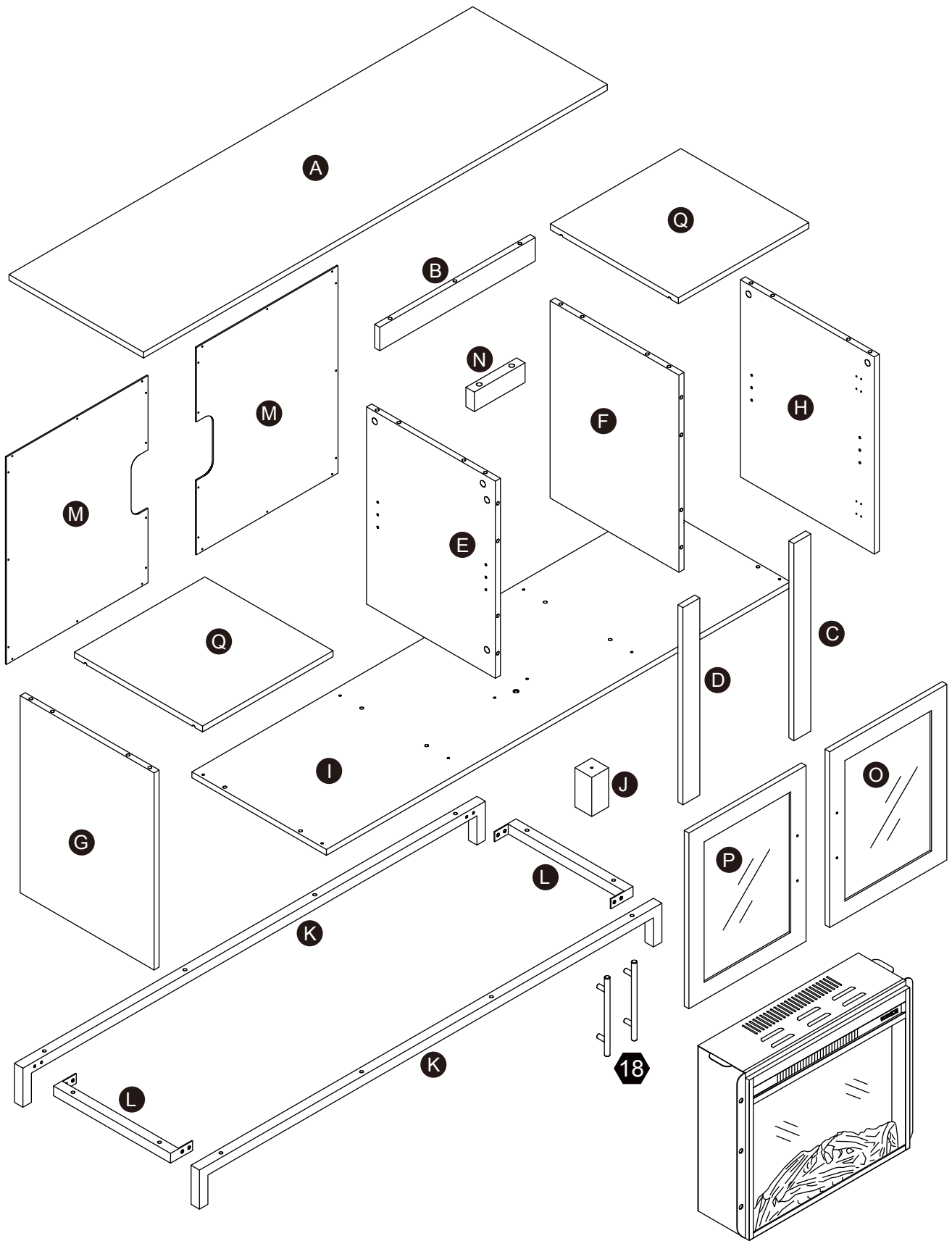
+886(2)2556-6268

Mon - Fri 9:00am ~ 5:00pm GMT+8

✉ sales_ec@teamson.com

Thank you for choosing Teamson Home

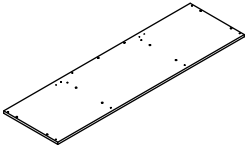
Exploded Drawing



← **Questions?**
Scan Here

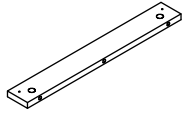
Product Parts

A



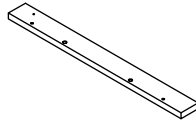
1 PC

B



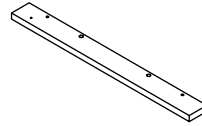
1 PC

C



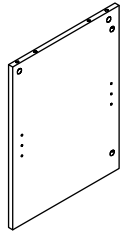
1 PC

D



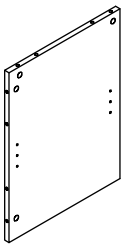
1 PC

E



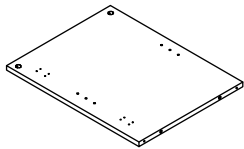
1 PC

F



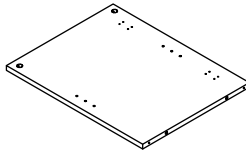
1 PC

G



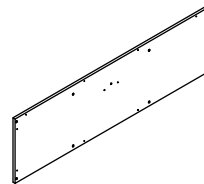
1 PC

H



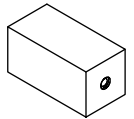
1 PC

I



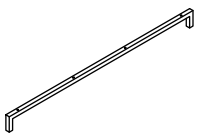
1 PC

J



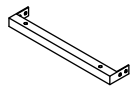
1 PC

K



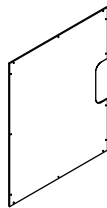
2 PCS

L



2 PCS

M



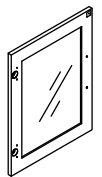
2 PCS

N



1 PC

O



1 PC



Questions?
Scan Here

⚠ Care Instructions

Dust surface with a dry soft cloth.

Do not use window cleaners or cleaning abrasives as they will scratch the surface and could damage the protective coating

⚠ WARNING

Small parts and sharp edges may be present prior to assembly.

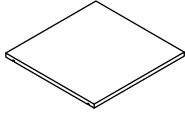
Product Parts

P

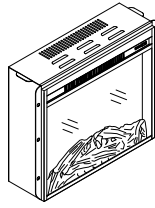


1 PC

Q



2 PCS



Questions?
Scan Here

Care Instructions

Dust surface with a dry soft cloth.

Do not use window cleaners or cleaning abrasives as they will scratch the surface and could damage the protective coating

WARNING

Small parts and sharp edges may be present prior to assembly.

Hardware

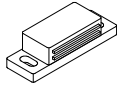
1



Φ6*35mm

14+1 pcs

2



2 pcs

3



Φ3*15mm

4 pcs

4



2 pcs

5



Φ3*12mm

6 pcs

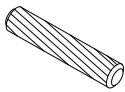
6



Φ15*12

14+1 pcs

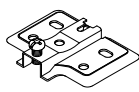
7



Φ8*30mm

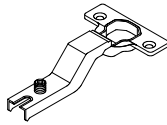
21+2 pcs

8



4 pcs

9



4 pcs

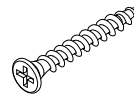
10



Φ3.5*12mm

24+2 pcs

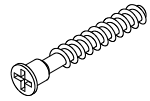
11



Φ5*35mm

20+2 pcs

12



Φ6*50mm

3 pcs

13



1/4"*15

1 pc

14



1/4"*15

8+1 pcs

15



Φ4mm

1 pc

16



Φ3*15mm

26+2 pcs

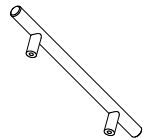
17



30*25mm

2 pcs

18



2 pcs

19



M4*22

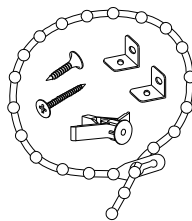
4 pcs

20



Φ8*16

8+1 pcs




1 SET



Questions?
Scan Here

Step 1

1

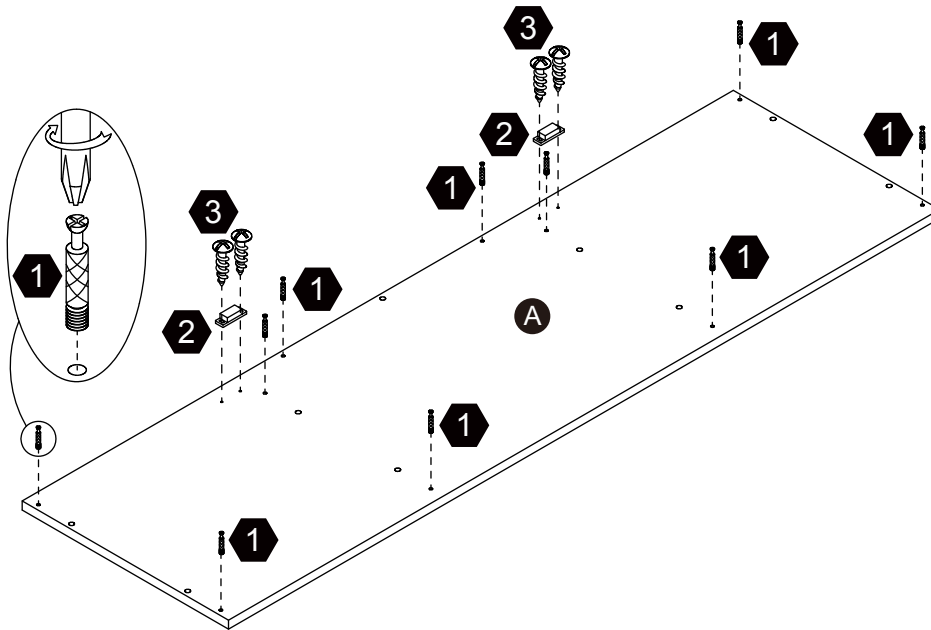
 10 pcs
 $\Phi 6 \times 35 \text{mm}$

2

 2 pcs

3

 4 pcs
 $\Phi 3 \times 15 \text{mm}$



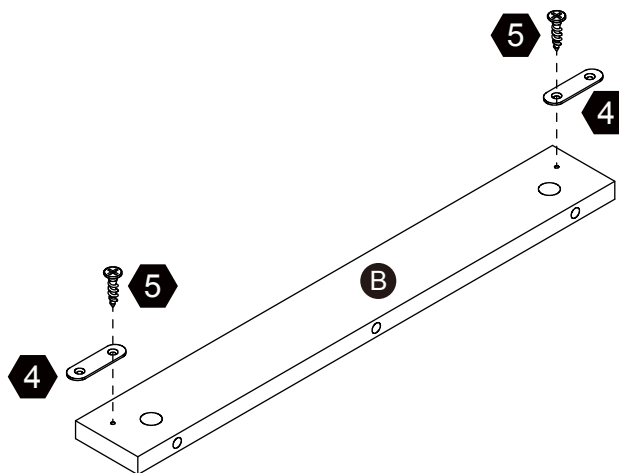
Step 2

4

 2 pcs

5

 2 pcs
 $\Phi 3 \times 12 \text{mm}$



Questions?
Scan Here

Step 3

6

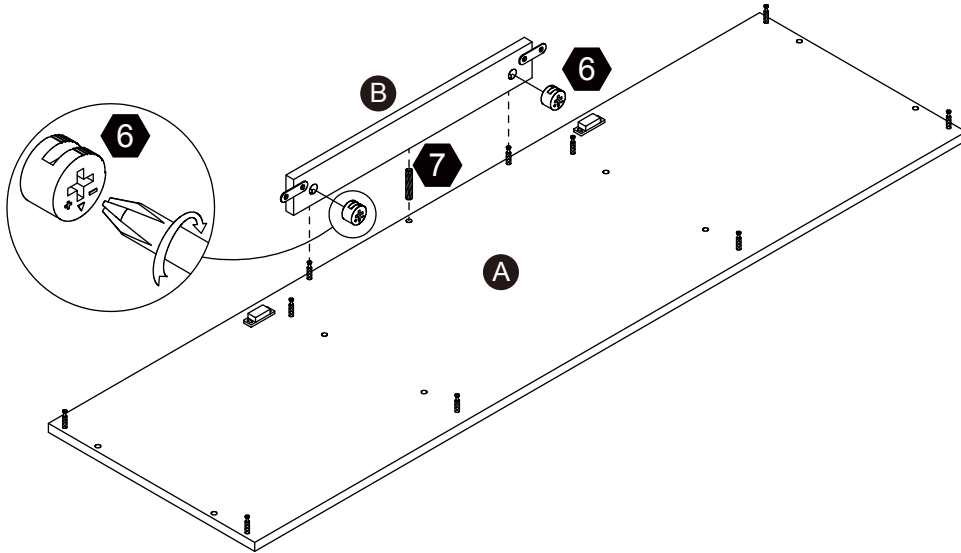


2 pcs

7

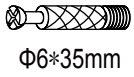


1 pc

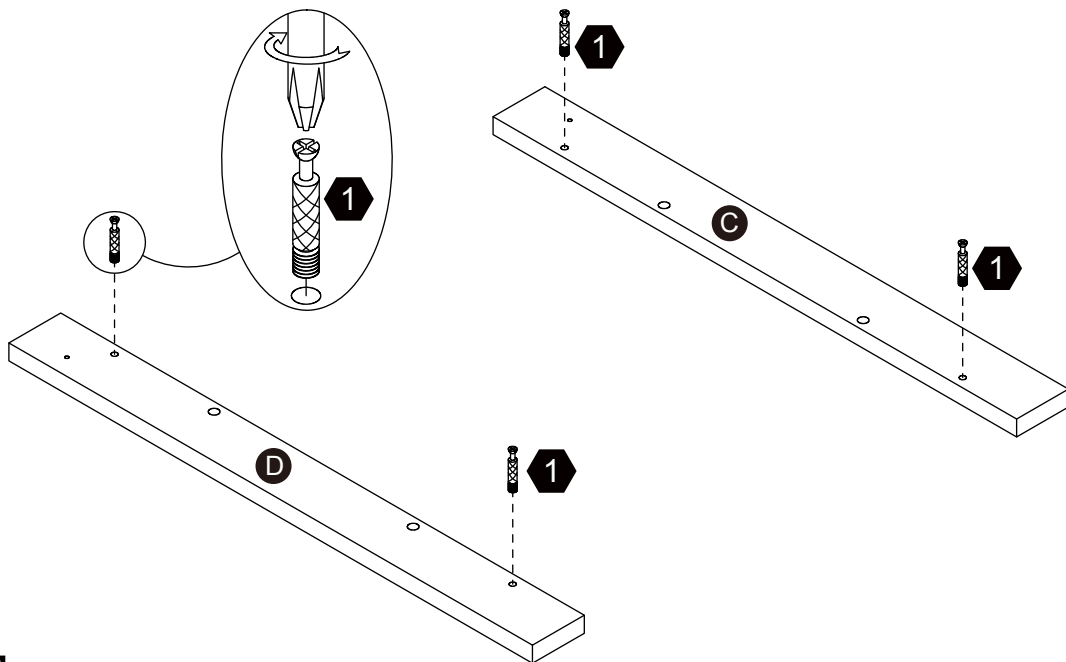


Step 4

1



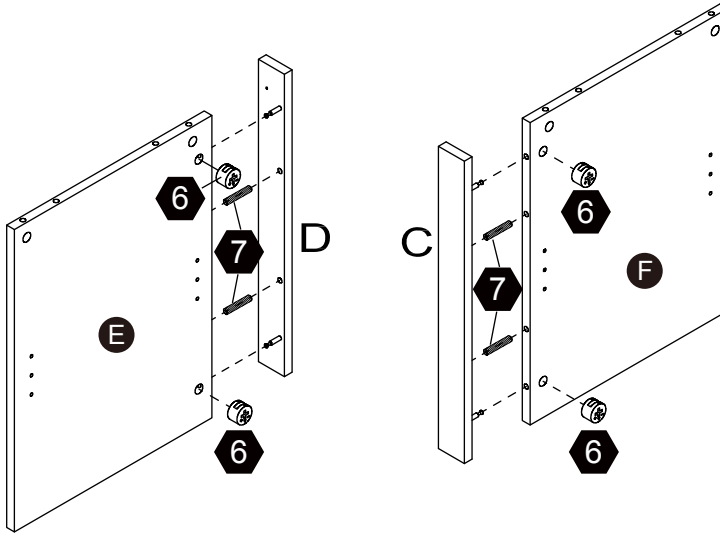
4 pcs



Questions?
Scan Here

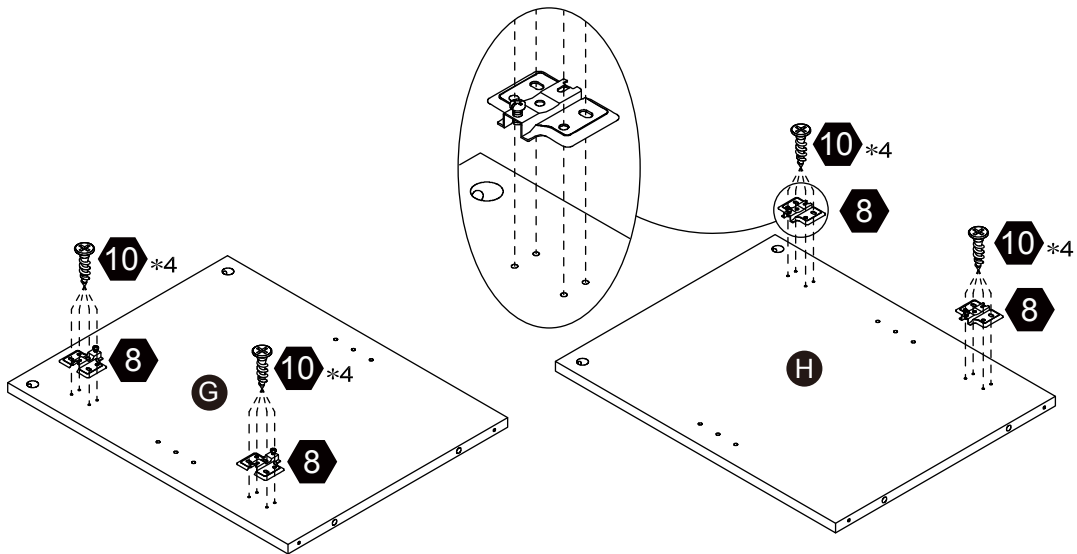
Step 5

- 6**  $\Phi 15 \times 12$ 4 pcs **7**  $\Phi 8 \times 30 \text{mm}$ 4 pcs



Step 6

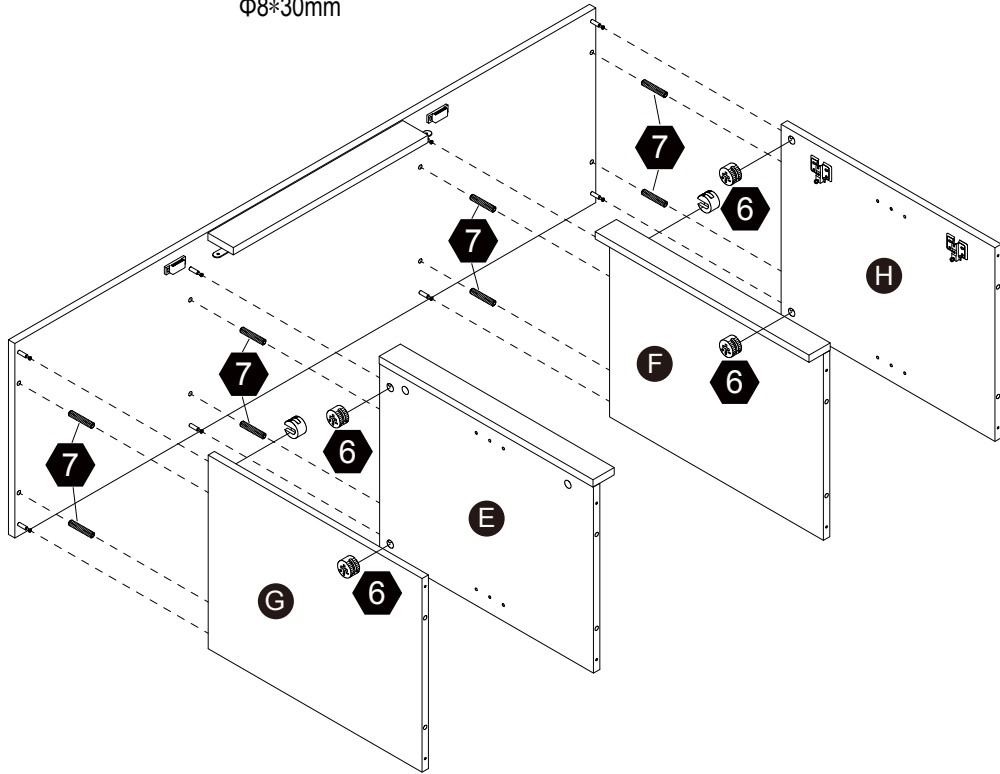
- 8**  4 pcs **10**  $\Phi 3.5 \times 12 \text{mm}$ 16 pcs



← **Questions?**
Scan Here

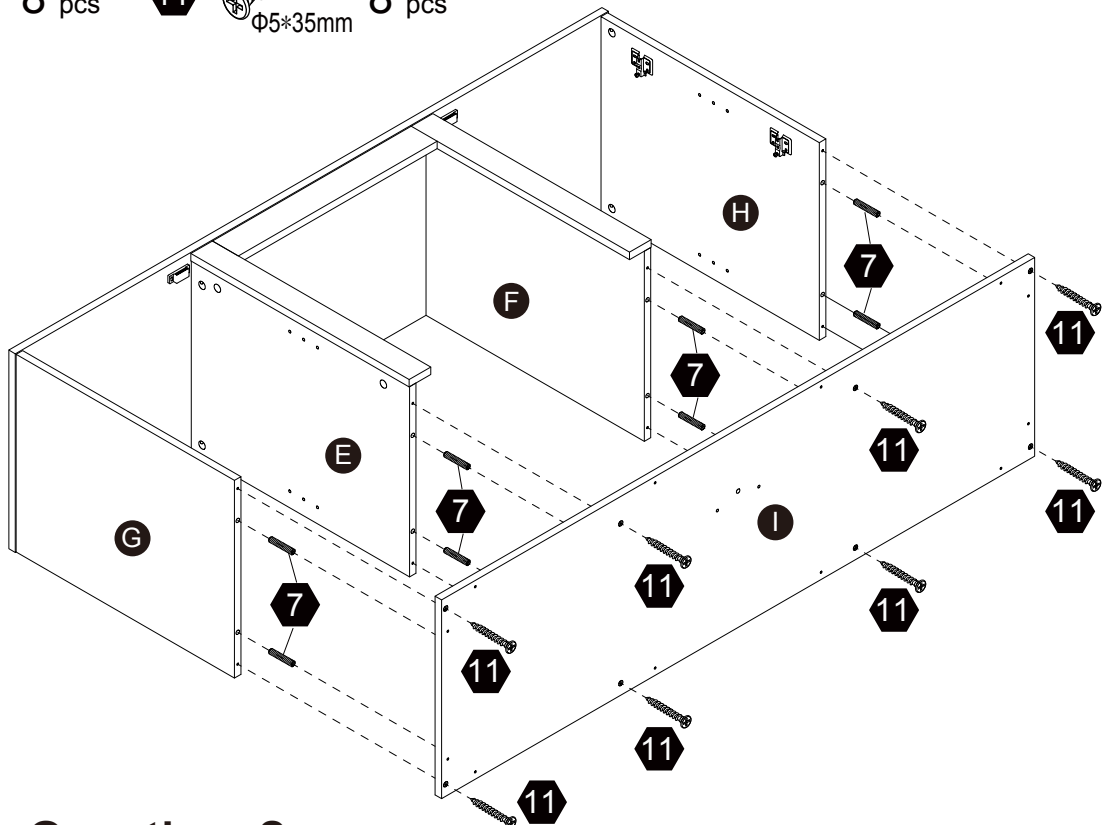
Step 7

- 6**  $\Phi 15 \times 12$ 8 pcs **7**  $\Phi 8 \times 30 \text{mm}$ 8 pcs



Step 8

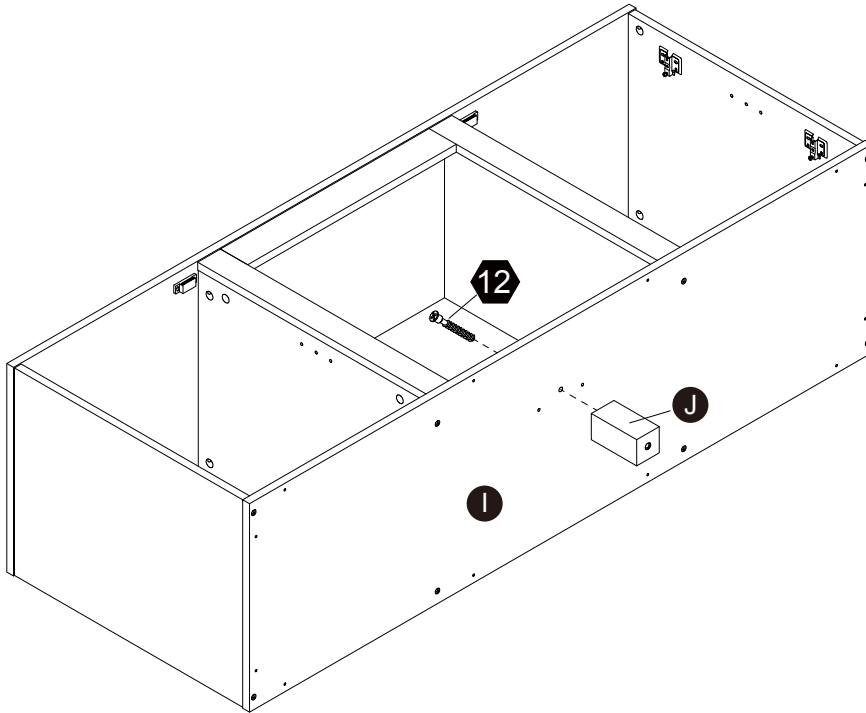
- 7**  $\Phi 8 \times 30 \text{mm}$ 8 pcs **11**  $\Phi 5 \times 35 \text{mm}$ 8 pcs



Questions?
Scan Here

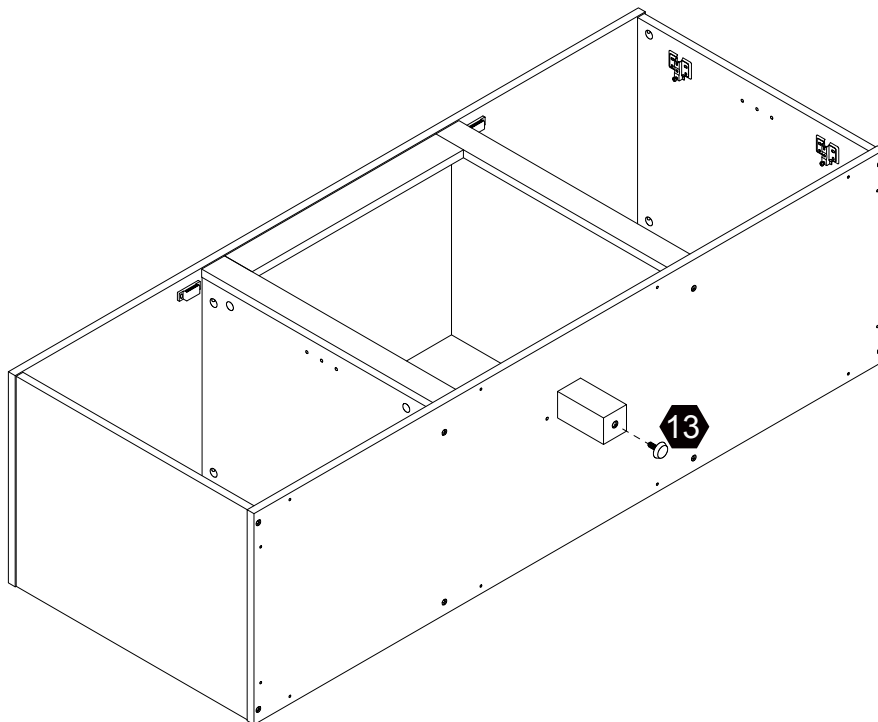
Step 9

12  $\Phi 6*50\text{mm}$ 1 pc



Step 10

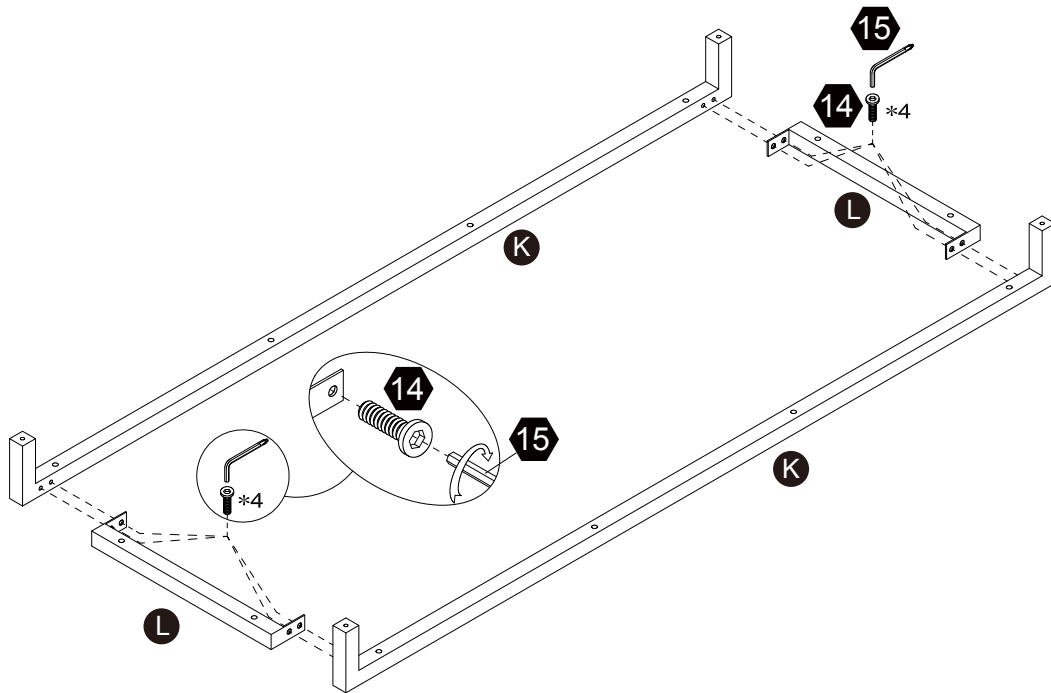
13  $1/4"*15$ 1 pc



Questions?
Scan Here

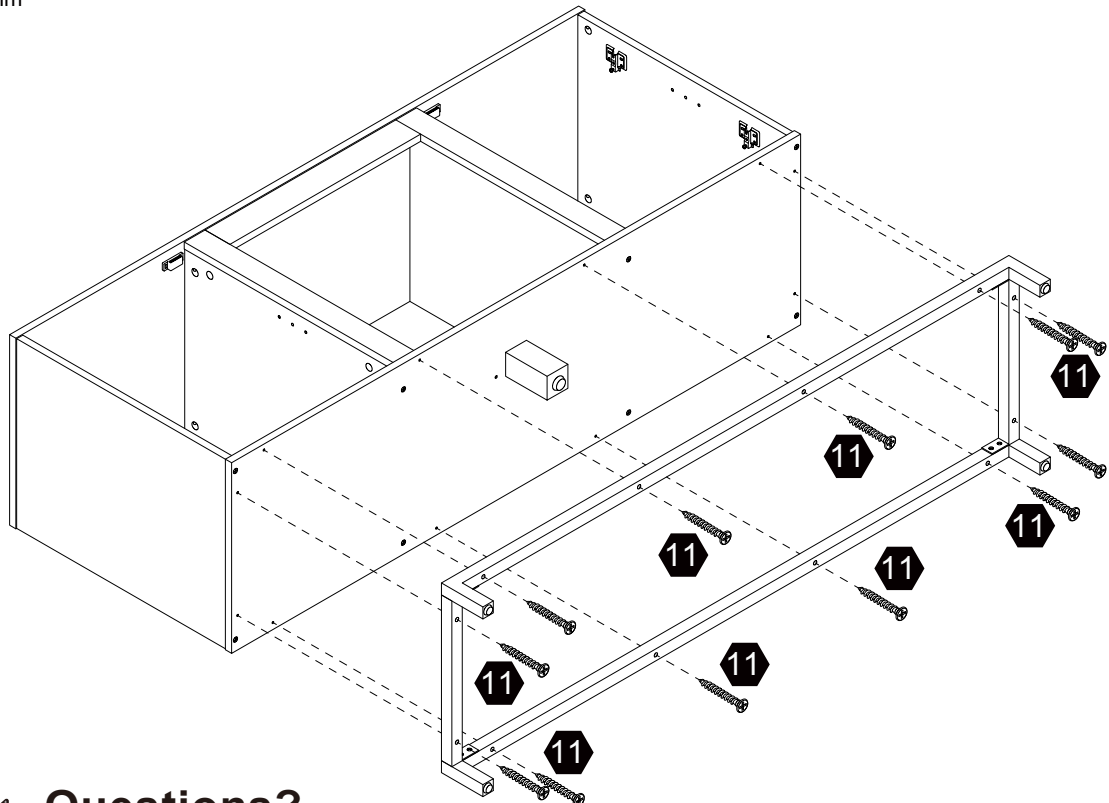
Step 11

- 14**  1/4"*15 8 pcs **15**  $\phi 4\text{mm}$ 1 pc



Step 12

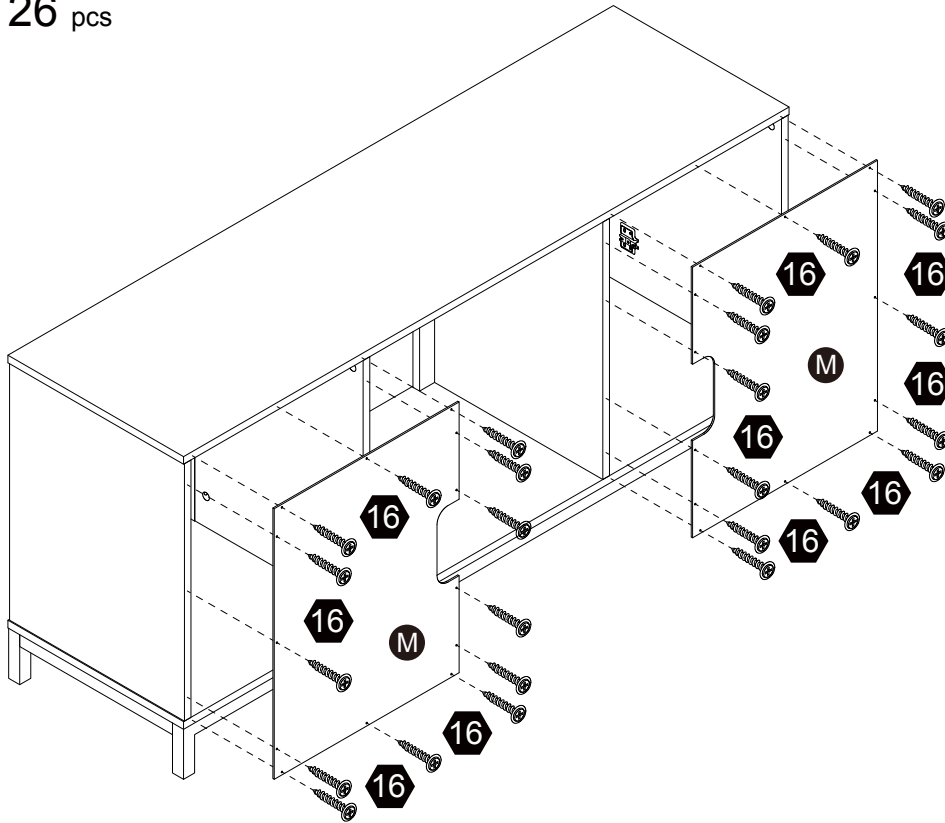
- 11**  $\phi 5 \times 35\text{mm}$ 12 pcs



Questions?
Scan Here

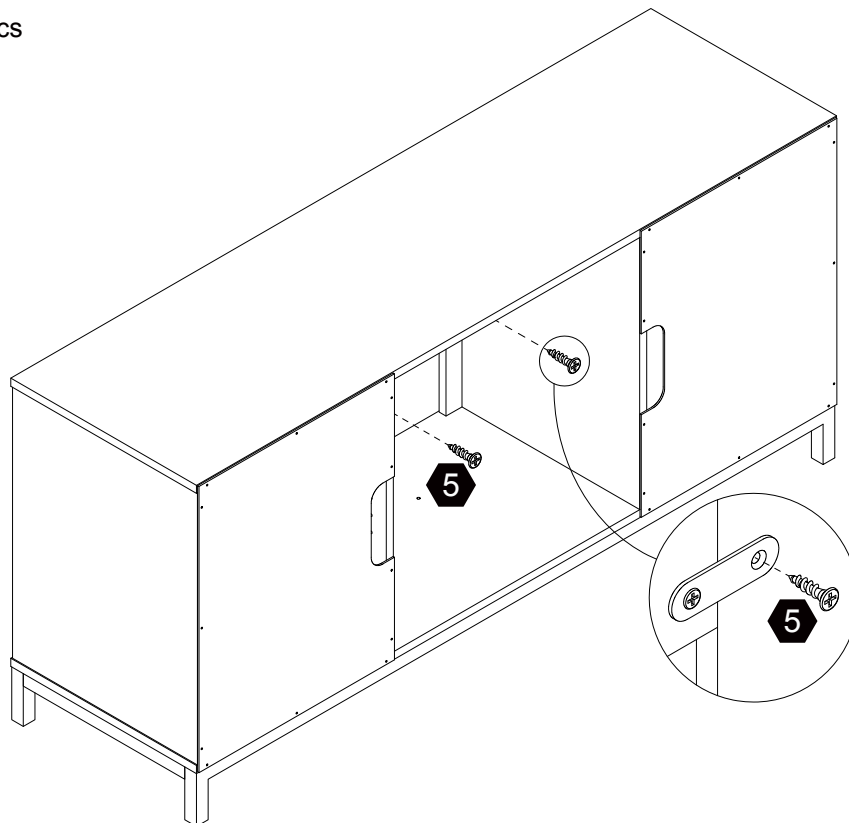
Step 13

16  $\phi 3*15\text{mm}$ 26 pcs



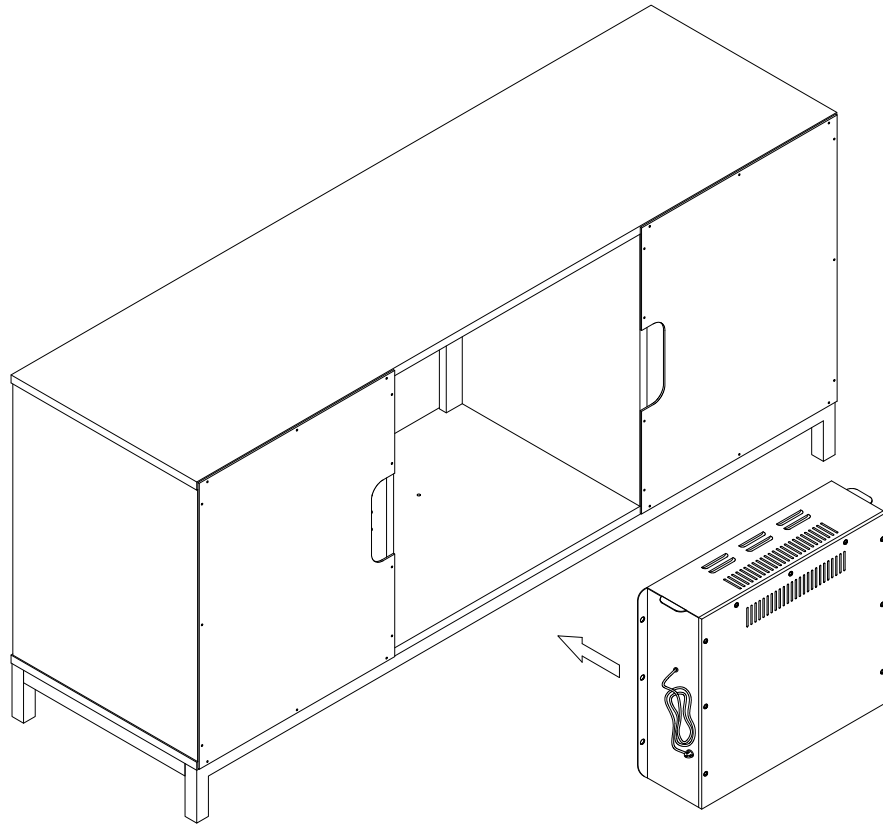
Step 14

5  $\phi 3*12\text{mm}$ 2 pcs



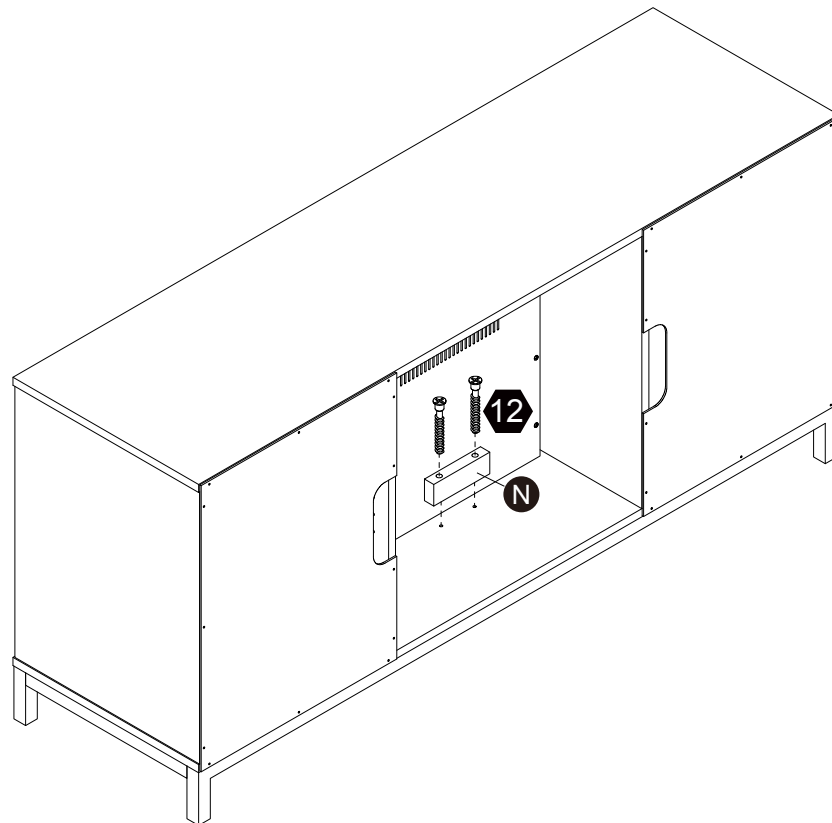
Questions?
Scan Here

Step 15



Step 16

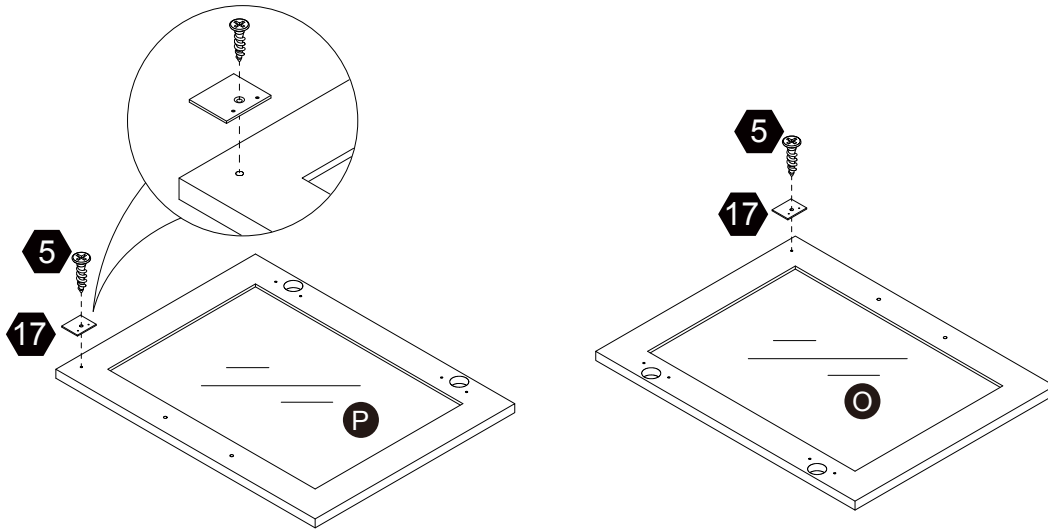
12  $\Phi 6 \times 50 \text{mm}$ 2 pcs



Questions?
Scan Here

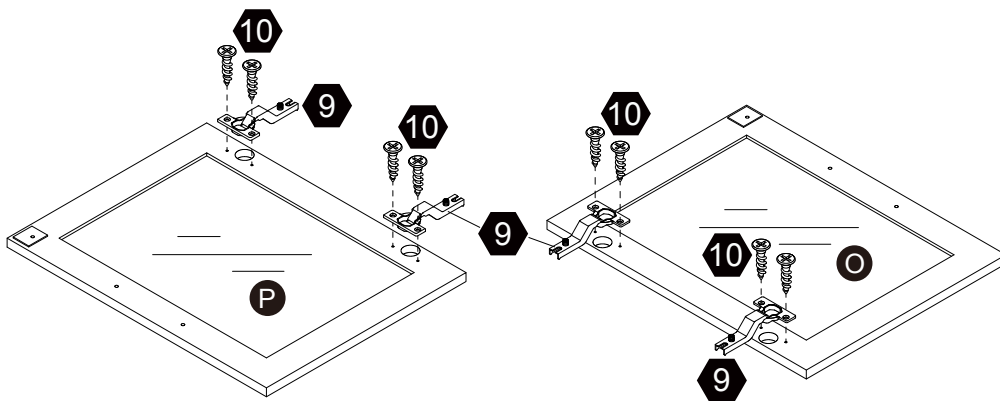
Step 17

- 17**  30*25 2 pcs **5**  $\Phi 3*12\text{mm}$ 2 pcs



Step 18

- 9**  4 pcs **10**  $\Phi 3.5*12\text{mm}$ 8 pcs

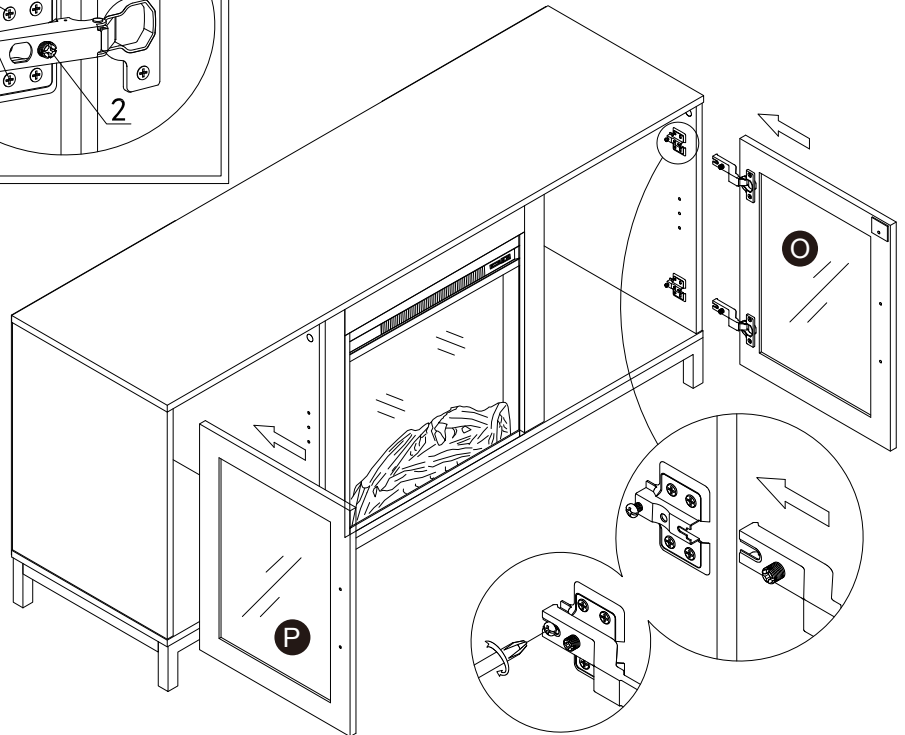
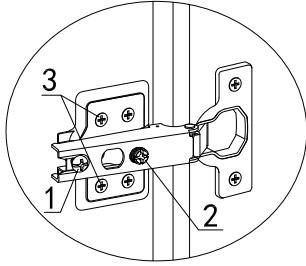


Questions?
Scan Here

Step 19

Three-way adjustable hinge for perfectly aligned doors

1. TO ADJUST DOOR FORWARD OR BACKWARD.
2. TO ADJUST DOOR TO RIGHT OR TO LEFT.
3. TO ADJUST DOOR UP OR DOWN.



Step 20

18



2 pcs

19



M4*22

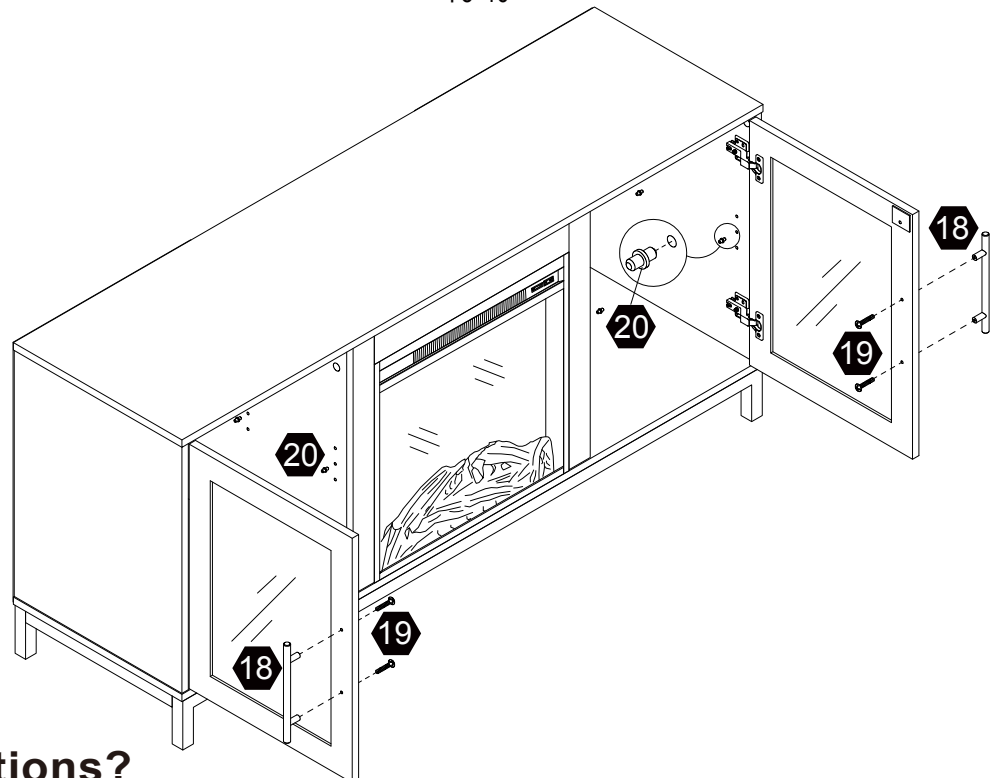
4 pcs

20



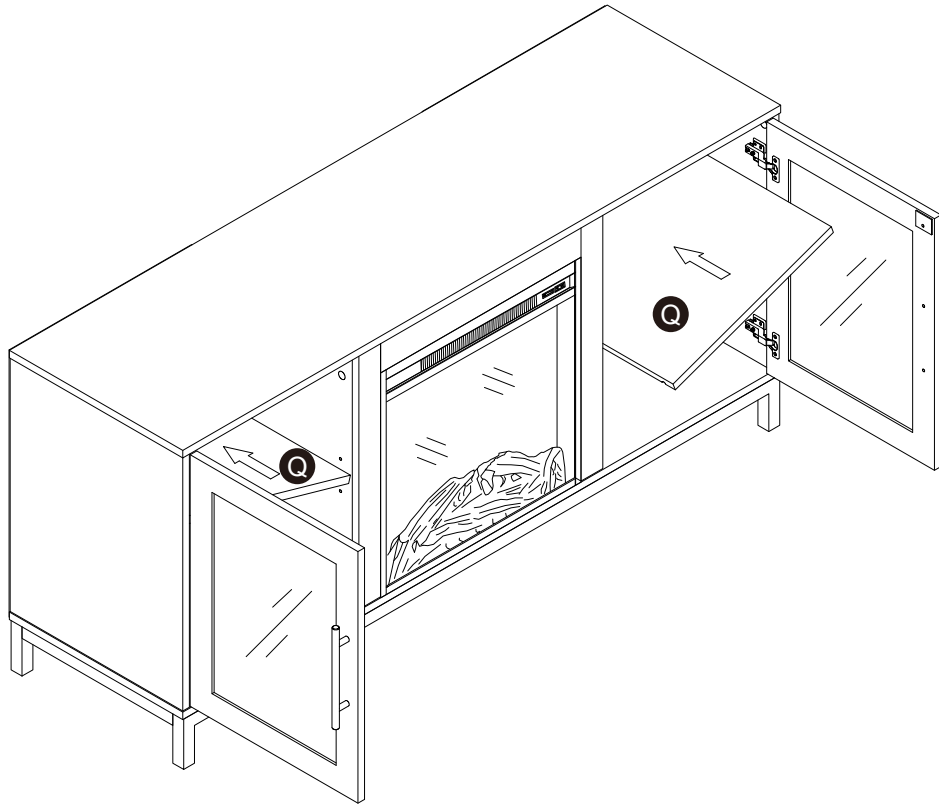
Φ8*16

8 pcs



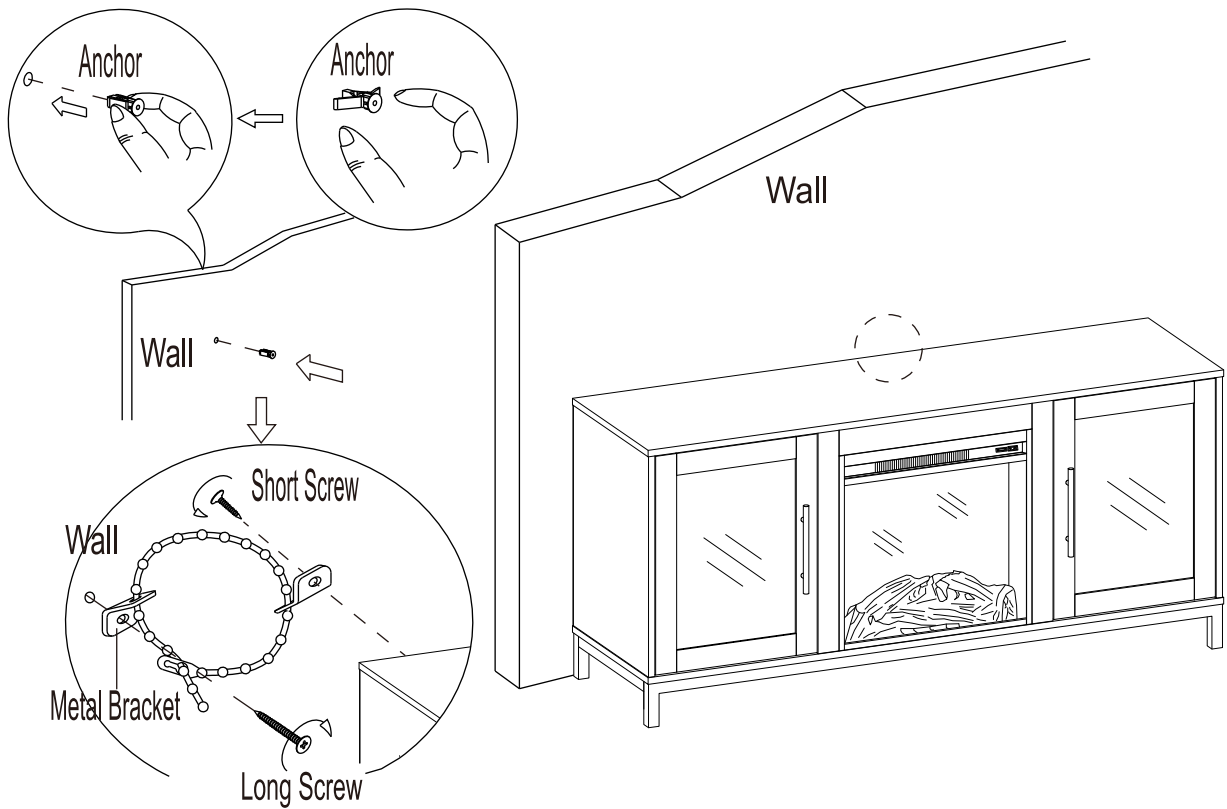
Questions?
Scan Here

Step 21



Step 22

Tools required: Phillips screwdriver, Power Drill, 3/8" Drill Bit and Rubber Mallet.



← **Questions?**
Scan Here